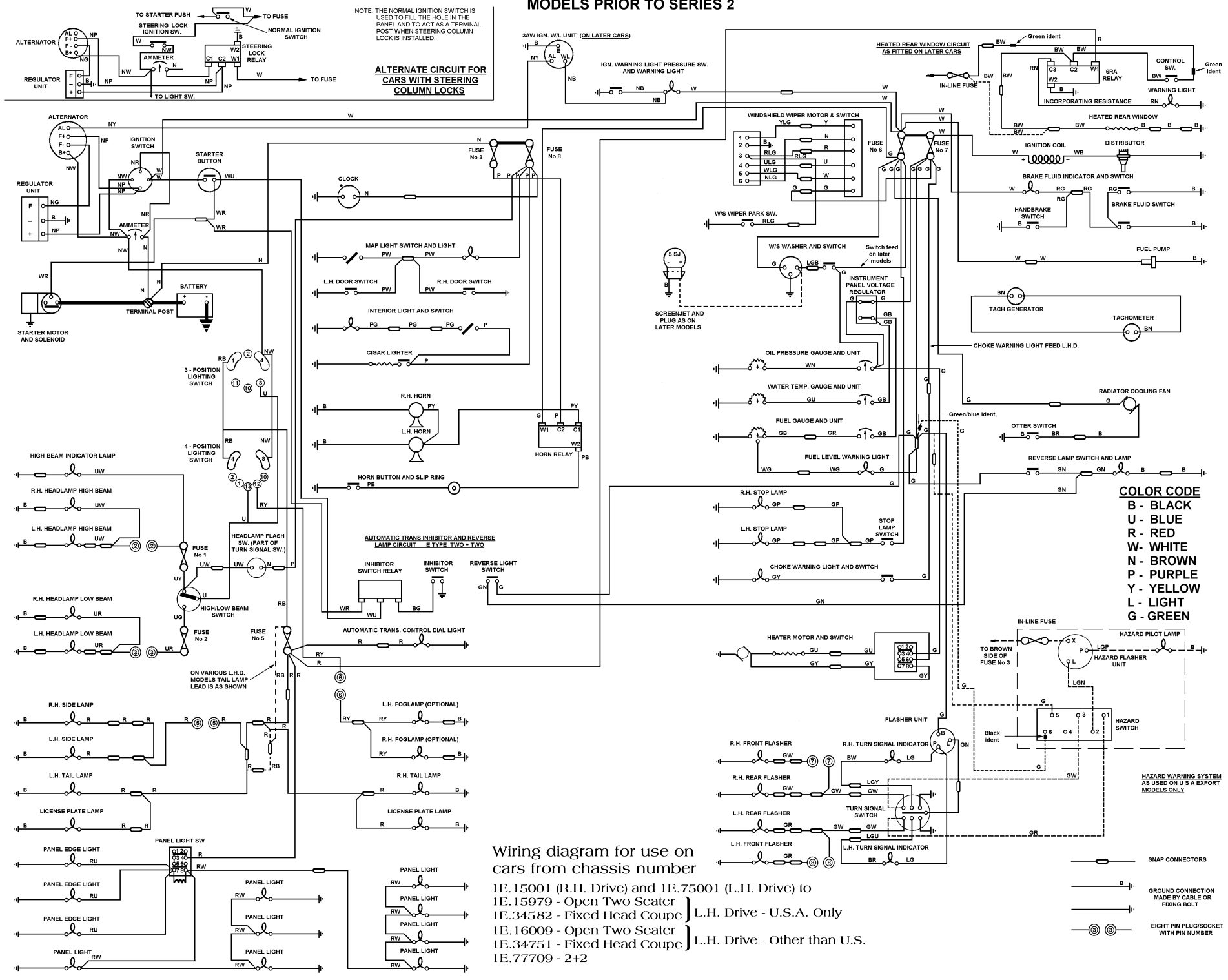


# MODELS PRIOR TO SERIES 2



Wiring diagram for use on cars from chassis number

1E.15001 (R.H. Drive) and 1E.75001 (L.H. Drive) to 1E.15979 - Open Two Seater	} L.H. Drive - U.S.A. Only
1E.34582 - Fixed Head Coupe	
1E.16009 - Open Two Seater	} L.H. Drive - Other than U.S.
1E.34751 - Fixed Head Coupe	
1E.77709 - 2+2	