

# TECHNICAL BULLETIN

JTB00432v2

14 SEP 2015



© Jaguar Land Rover Limited  
All rights reserved.

**This bulletin supersedes TSB JTB00432/2015 dated 16 JUN 2015, which should either be destroyed or clearly marked to show it is no longer valid (e.g. with a line across the page). Only refer to the electronic version of this Technical Bulletin in TOPIX.**

Changes are highlighted in gray

## **SECTION: 501-00**

Vibrations And/Or Rattles When Listening To The Entertainment System

### **AFFECTED VEHICLE RANGE:**

#### **F-TYPE (X152)**

**Model Year:** 2014-2016  
**VIN:** K00001-K27583  
**Manufacturing Plant:** Castle Bromwich

### **MARKETS:**

All

### **CONDITION SUMMARY:**

**Situation:** A customer may express a concern that there is a vibration or a rattling noise when they are listening to the entertainment system.

**This version has been created to update the Affected Vehicle Range, Parts, Tools, Warranty, Diagnostic Procedure and Service Instruction sections.**

**Cause:** Trim and/or wiring contact.

**Suggested Customer Concern Code - QD5**

**Action:** Should a customer express this concern, follow the Diagnostic Procedure and Service Instruction below.

### **PARTS:**

T2R21202	Foam insulator kit	Quantity: 1
T2R21163	NVH pad	Quantity: 2
T2R21164	NVH pad	Quantity: 2

### **TOOLS:**

JLR approved diagnostic tool (SDD)  
SDD DVD142.06 and Calibration File 215 loaded or later



E179225

JLR approved battery support unit



E179226

**WARRANTY:**

 **NOTE: Repair procedures are under constant review, and therefore times are subject to change; those quoted here must be taken as guidance only. Always refer to TOPIx to obtain the latest repair time.**

 **NOTE: DDW requires the use of causal part numbers. Labor only claims must show the causal part number with a quantity of zero.**

DESCRIPTION	SRO	TIME (HOURS)	CONDITION CODE	CAUSAL PART
Door trim panel removed for access - single	<b>76.34.01.90</b>	0.2	42	T2R10501
Door trim panel removed for access - pair	<b>76.34.15.90</b>	0.3	42	T2R10501
Rear subwoofer speaker - renew - coupe	<b>86.51.05</b>	0.6	42	T2R10501
Rear subwoofer speaker - renew - folding top	<b>86.51.05</b>	0.5	42	T2R10501
Insulating components (single door)	<b>05.10.30</b>	0.3	42	T2R10501
Insulating components (pair of doors)	<b>05.10.50</b>	0.5	42	T2R10501
Insulating components (single door and parcel shelf)	<b>05.10.70</b>	0.7	42	T2R10501
Insulating components (pair of doors and parcel shelf)	<b>05.10.90</b>	0.9	42	T2R10501
Checking the software level of the Audio Amplifier Module (AAM) using SDD	<b>86.99.99</b>	0.2	42	T2R10501
Configuring the AMM using SDD	<b>86.99.42</b>	0.6	42	T2R10501

 **NOTE: Normal Warranty procedures apply.**

**DIAGNOSTIC PROCEDURE:**

**1**  **CAUTION: This procedure requires SDD DVD142.06 and Calibration File 215 loaded or later.**

Connect the JLR approved battery support unit.

**2** Connect SDD to the vehicle and begin a new diagnostic session, by reading the vehicle identification number (VIN) for the current vehicle and initiating the data collect sequence.

**3** Follow the SDD prompts.

**4** Check the software level of the of the AAM.

- If there is a software update available for the AAM complete the Diagnostic Procedure below.
- If the AAM is already at the latest software level go to Step 6

**5** If the hyperlink is not available, the application can be found as follows:

- Select the Diagnosis Session Type.
- Select any of the following symptoms:
  - Electrical - Information and entertainment system – Entertainment system
- Select the 'Extras' tab
- Run: Configure existing module - Audio amplifier module

**6** When all of the tasks are complete, exit the current session by selecting the Session tab and then select the Close Session option.

**7** Disconnect SDD and the JLR approved battery support unit.

**SERVICE INSTRUCTION:**

 **NOTE: Some components shown removed for clarity.**

 **NOTE: Some variation in the illustrations may occur, but the essential information is always correct.**

 **NOTE: Removal steps in this procedure may contain installation details.**

1 The service instruction comprises of three levels of repair.

- Left door
  - Right door
  - Parcel shelf
- Only carry out the repair work as per the customer complaint.

### Door vibration or rattle insulation procedure

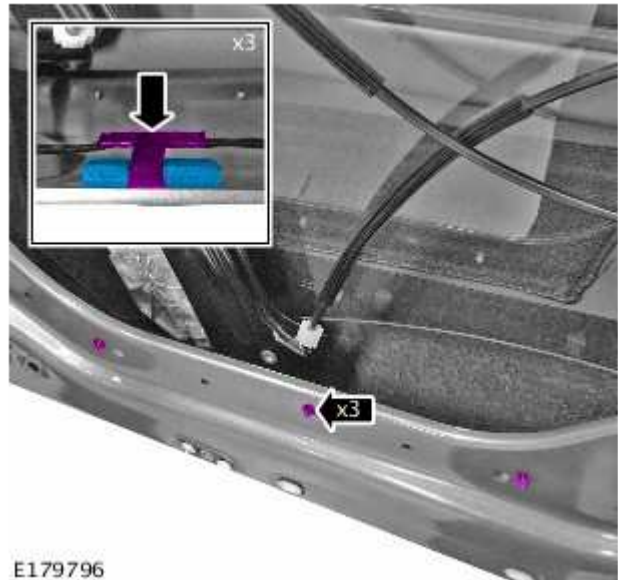
2  **NOTE: Left door shown, right door similar.**


Remove the door trim panel as required (see TOPIx Workshop Manual, section 501-05).

3 Remove the door panel.

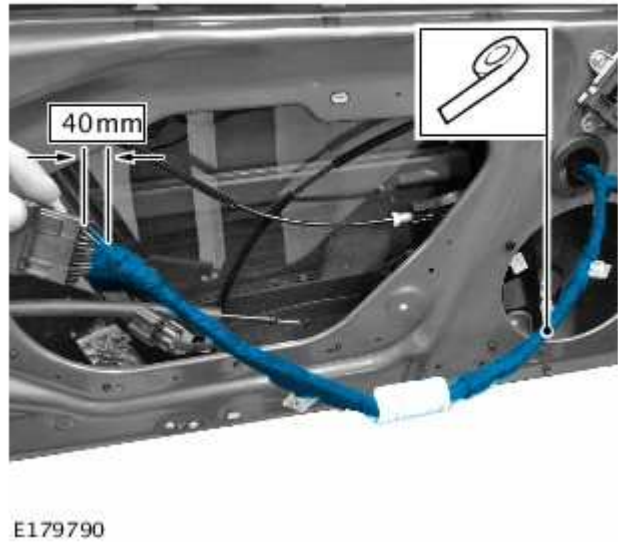


4 Install a foam insulating block in between the electrical wiring harness retaining clip and the door as shown.

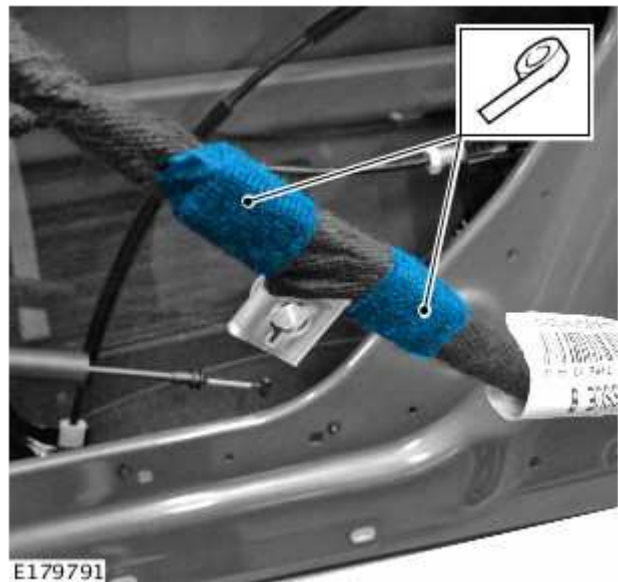



5  **CAUTION: Make sure when installing the felt insulation tape a gap of 40 mm is left at the connector end to allow for electrical wiring harness movement.**

Install the felt insulation tape along the length of the door electrical wiring harness.

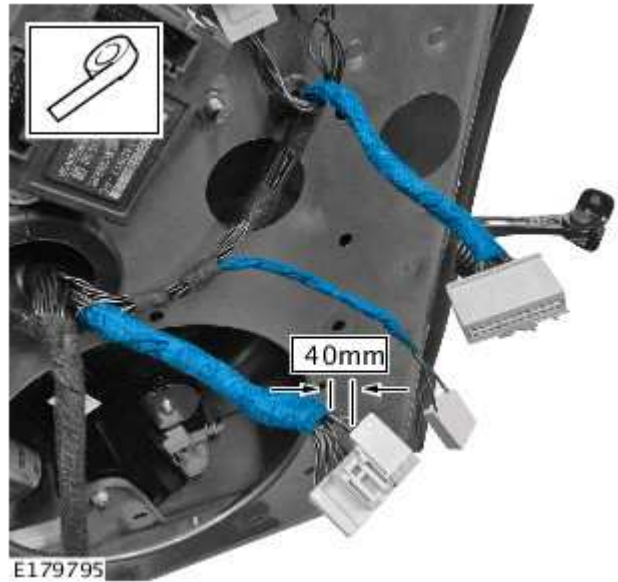


6 Install a second layer of felt insulation tape to the door electrical wiring harness retaining clips.



- 7  **CAUTION: Make sure when installing the felt insulation tape a gap of 40 mm is left at the connector end to allow for electrical wiring harness movement.**

Install the felt insulation tape along the length of the door electrical wiring harnesses.

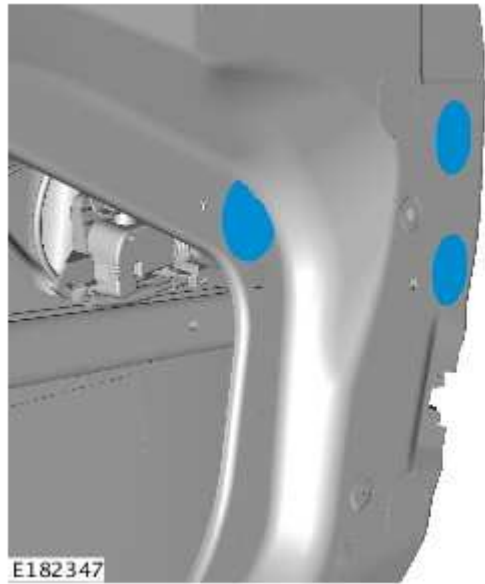


- 8  **CAUTION: The Noise, Vibration and Harshness (NVH) pads must be installed at a temperature of 74 °F to adhere correctly.**

Install the NVH pads inside the door as shown.

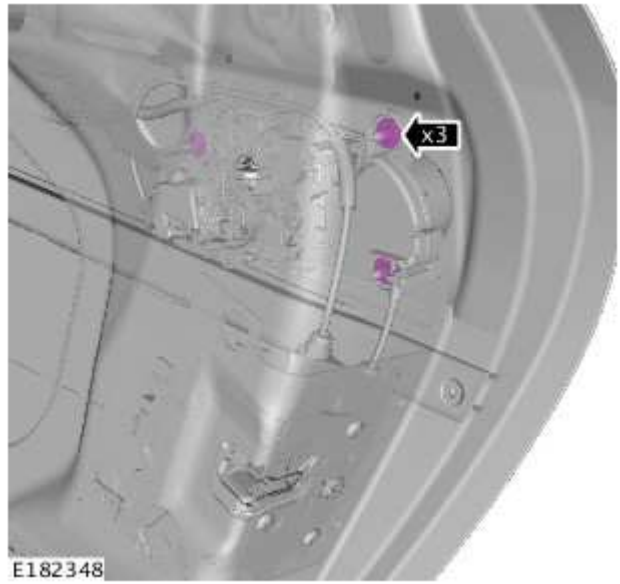


**9** Remove the self adhesive pads from the door to access the exterior door handle retaining nuts.

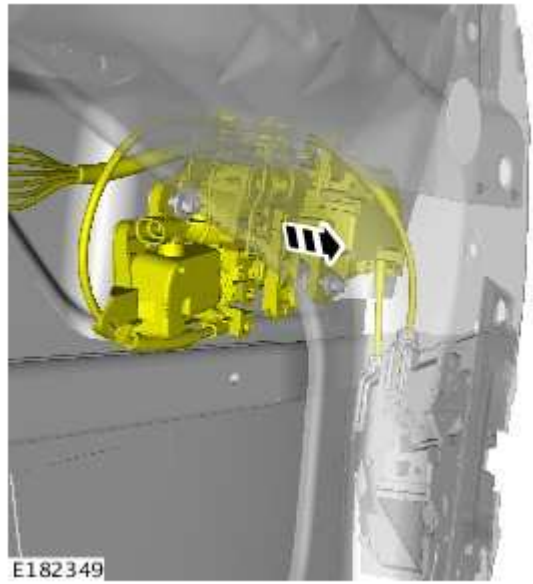


**10** Loosen but do not remove the exterior door handle retaining nuts.

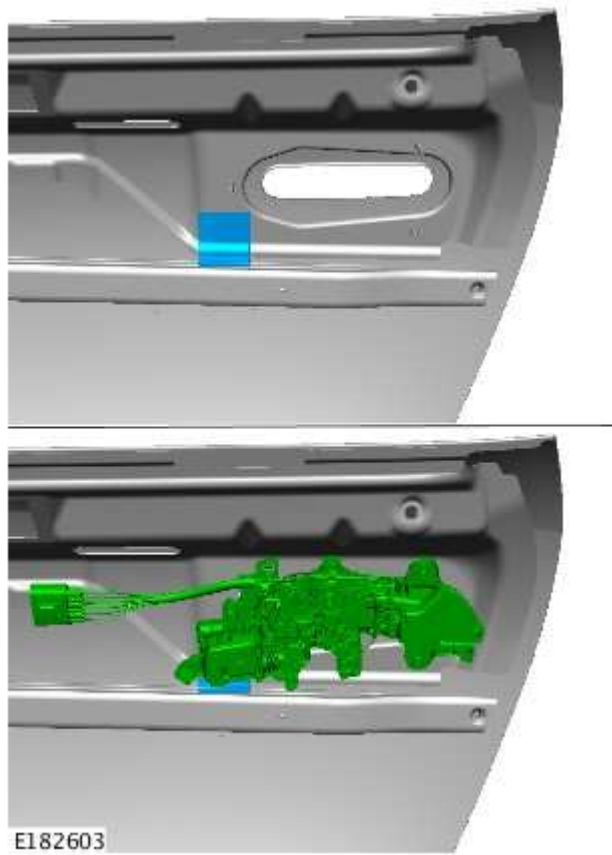
- Turn the retaining nuts 7 complete turns in an anti clockwise direction.



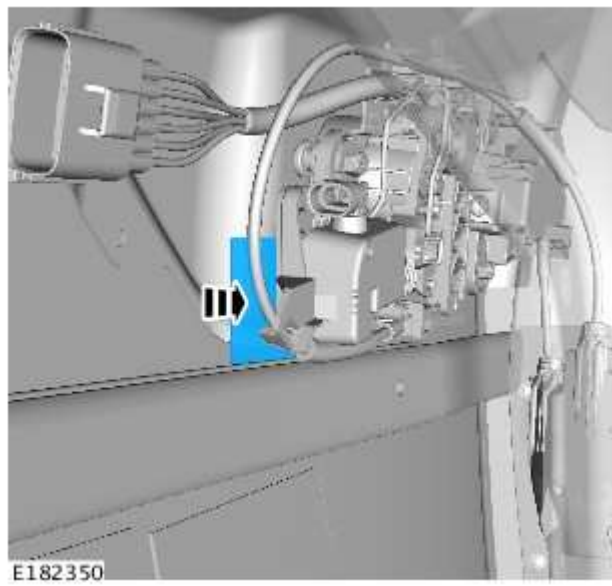
**11** Position the exterior door handle to one side.



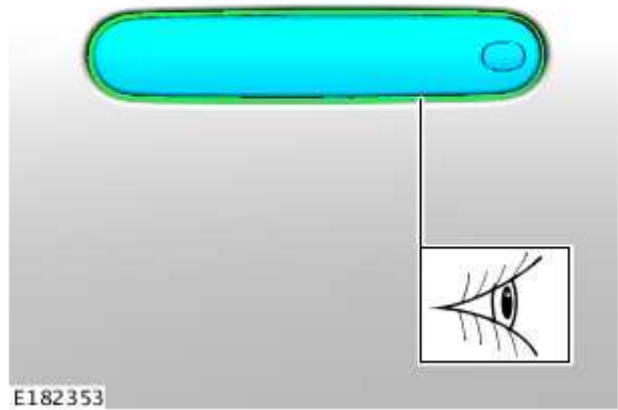
**12**When installing the foam pad in Step 13, make sure it is aligned as shown.



**13**Install the foam pad behind the exterior door handle.

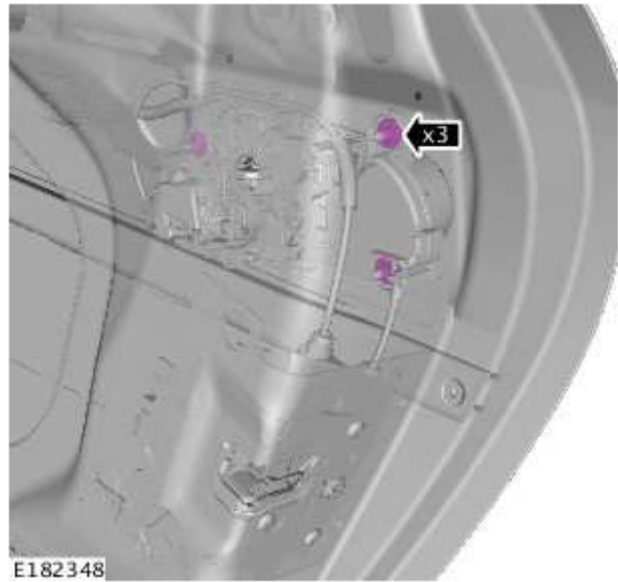


**14**When installing the exterior handle make sure there is an even gap around its outer edge..

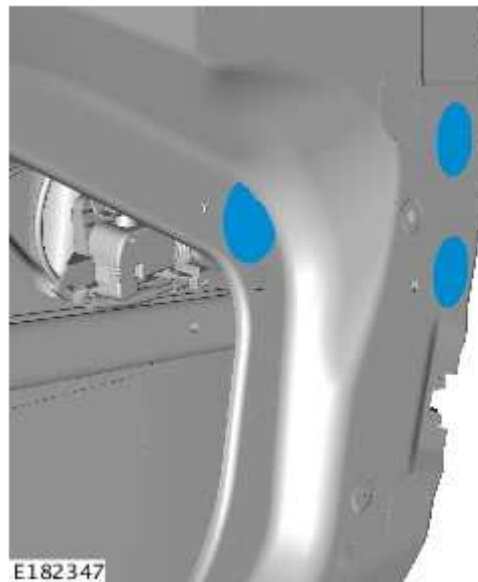


**15**Install the exterior door handle retaining nuts.

- Torque: 8 Nm



**16**Install the self adhesive pads.





17 When installing the door panel make sure that the locating lugs are correctly located into the door.



E179789

18  **NOTE: Do not tighten the retaining screws at this stage.**

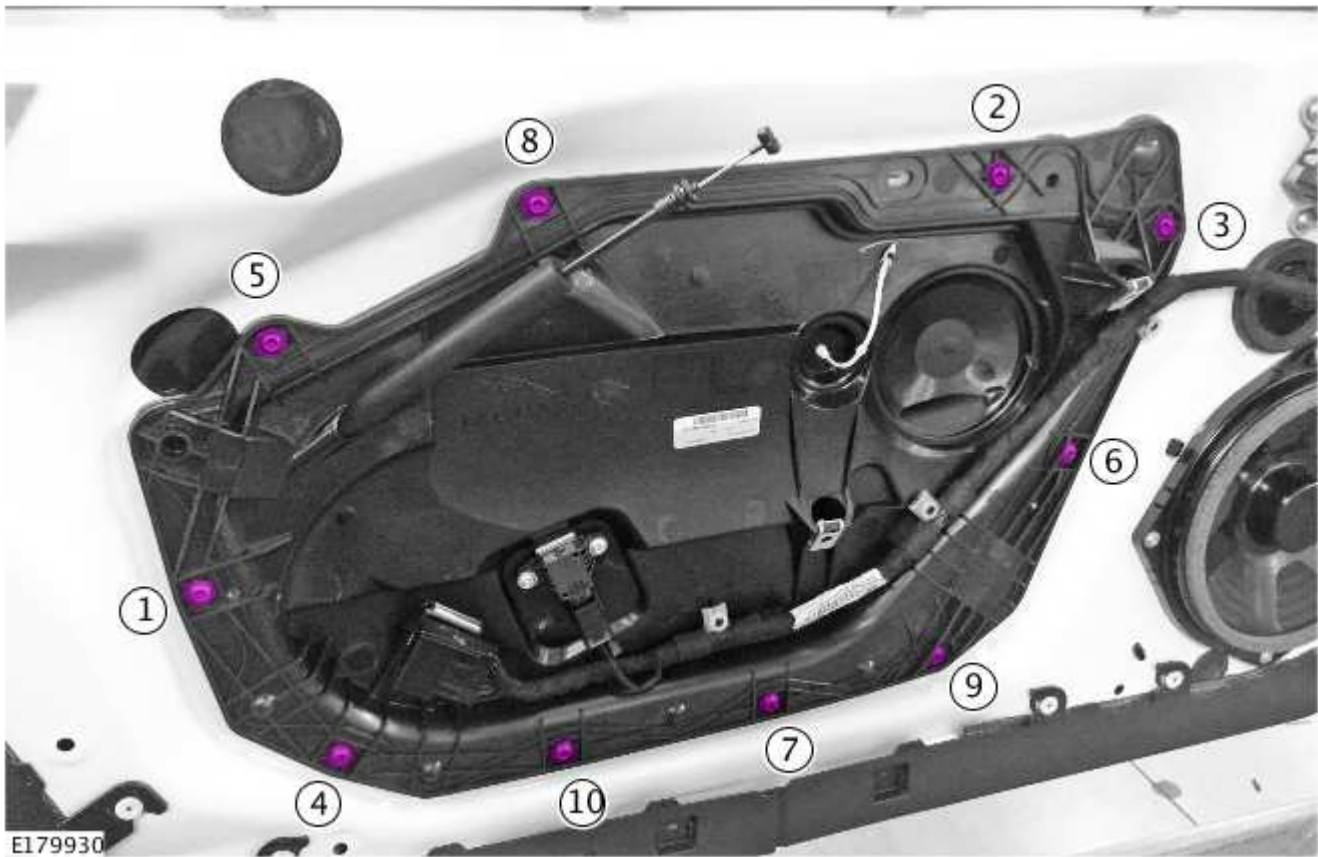
Install the door panel.



E179929

**19** Tighten the retaining screws in the sequence shown.

- Torque: 1.5 Nm



**20** Install the foam noise insulators to the door.

- The foam block should be aligned with the door panel (1).
- The foam pad must be installed behind the label on the door electrical wiring harness, the exact location of the label may vary between vehicles (2).



E177749

**21** Remove the door trims.



E179941

**22** Install 0.5mm felt insulation tape to the door trim as shown.



E179792

**23** Install 0.5mm felt insulation tape to the door trim as shown.



E179793

**24** Install the foam pads behind the door trim panel electrical wiring harness.



E17751

**25**  **CAUTION:** Make sure when installing the felt insulation tape a gap of 40 mm is left at the connector end to allow for electrical wiring harness movement.

Install felt insulation tape to the door trim electrical wiring harness.



E179794

**26**Inspect the speaker grille on the door trim panel.

- Using a suitable feeler gauge check the clearance between the speaker baffle and the door trim panel.
- If a clearance is found proceed to step 24. If no clearance is found proceed to Step 25



**27**Using a suitable trim tool, install felt tape between the speaker baffle and the door panel trim.



**28**Repeat Steps 2-18 for the other side of the vehicle if required.

**29**To install, reverse the removal procedure.

### **SERVICE INSTRUCTION:**

#### **Parcel shelf vibration or rattle insulation procedure**

**1**Remove the subwoofer speakers (see TOPIx Workshop Manual, section 415-01).

**2**  **NOTE: Folding top shown, Coupe similar.**

When the parcel shelf is removed install foam pads to the contact areas shown.



E177756

- 3  **NOTE: The exact position and quantity of the foam pad(s) necessary to install will be determined by the routing of the electrical wiring harness.**

Install the foam pad(s) where the electrical wiring harness is in contact with the vehicle body when the subwoofer speaker is installed.



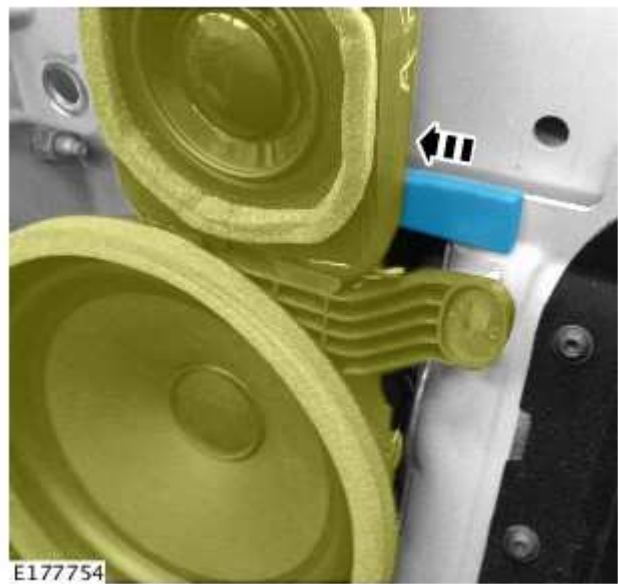
E177753

4 Make sure when installing the subwoofer the electrical wiring harness is installed into the body cavity,



5  **NOTE: Repeat for both sides of the vehicle.**

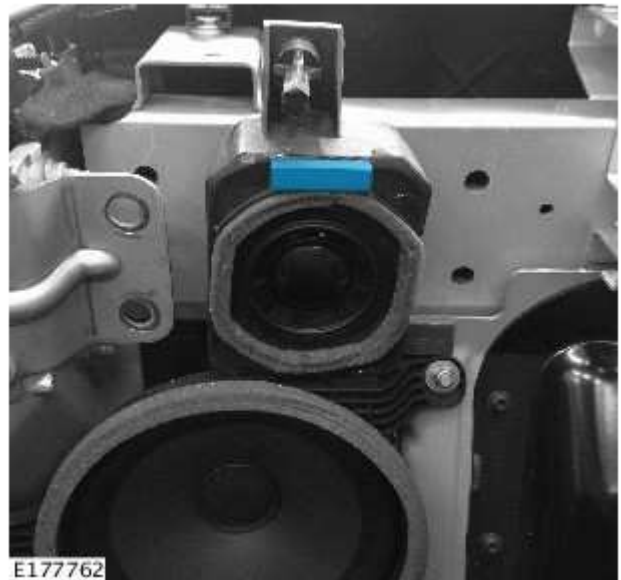
Before installing the subwoofer speakers install the foam block as shown.





**6**  **NOTE: Repeat for both sides of the vehicle.**

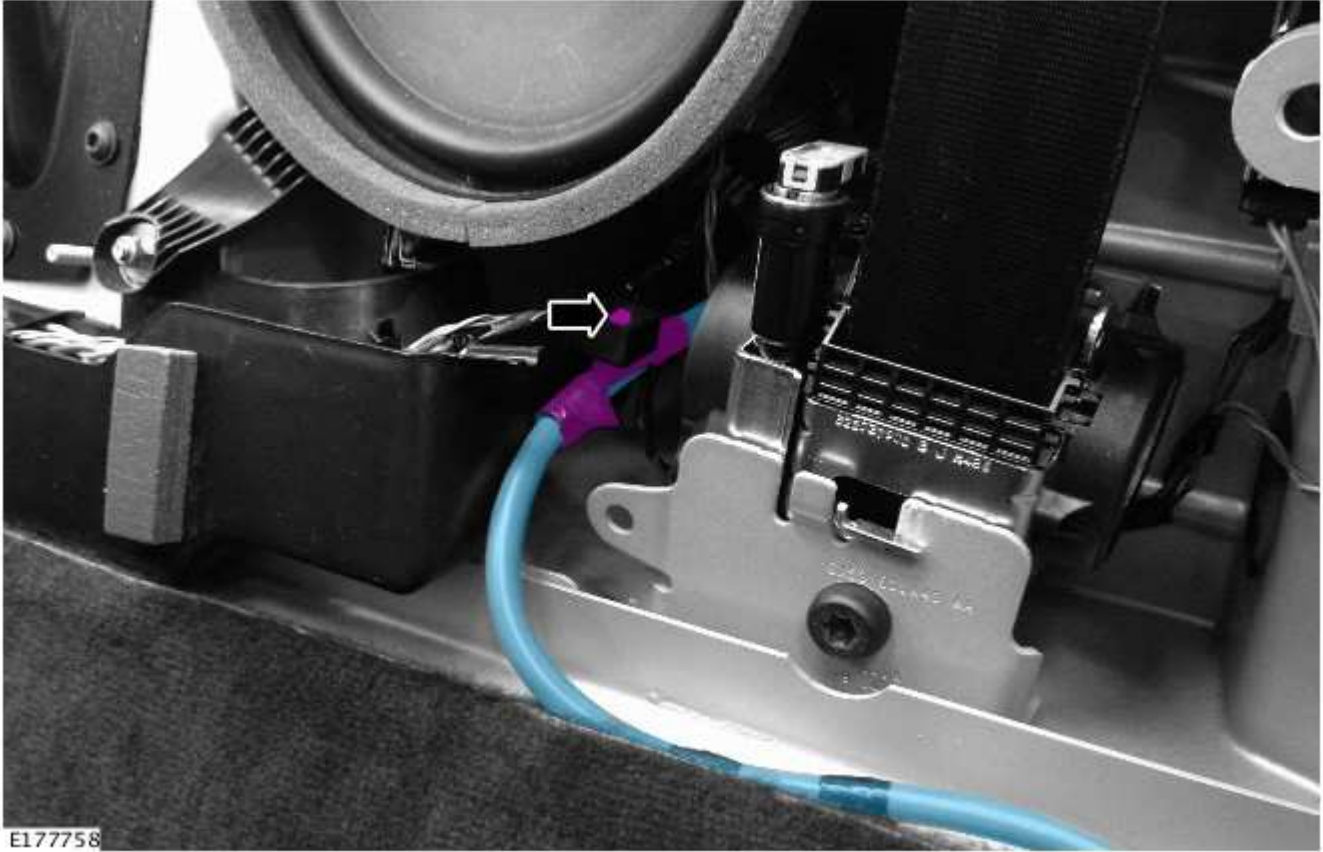
Install the rubber insulator on the subwoofer speaker.



**7** Install the foam pads on the electrical wiring harness conduit.

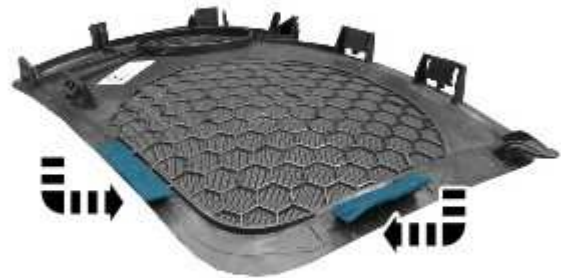


**8** Make sure the electrical wiring is routed and retained correctly.



9  **NOTE: It is important that the felt pads wrap around the retaining lugs so they are insulated on both sides.**

Before installing the covers to the subwoofer speakers make sure the retaining lugs are covered with the felt pads.



10 To install, reverse the removal procedure.