

2015.0 F-TYPE (X152), 501-05

## INTERIOR TRIM AND ORNAMENTATION

# C-PILLAR TRIM PANEL - COUPE (G1702314)

### REMOVAL AND INSTALLATION

76.13.83	C - POST TRIM PAD - RENEW	COUPE	0.4	USED WITHINS
----------	---------------------------------	-------	-----	-----------------

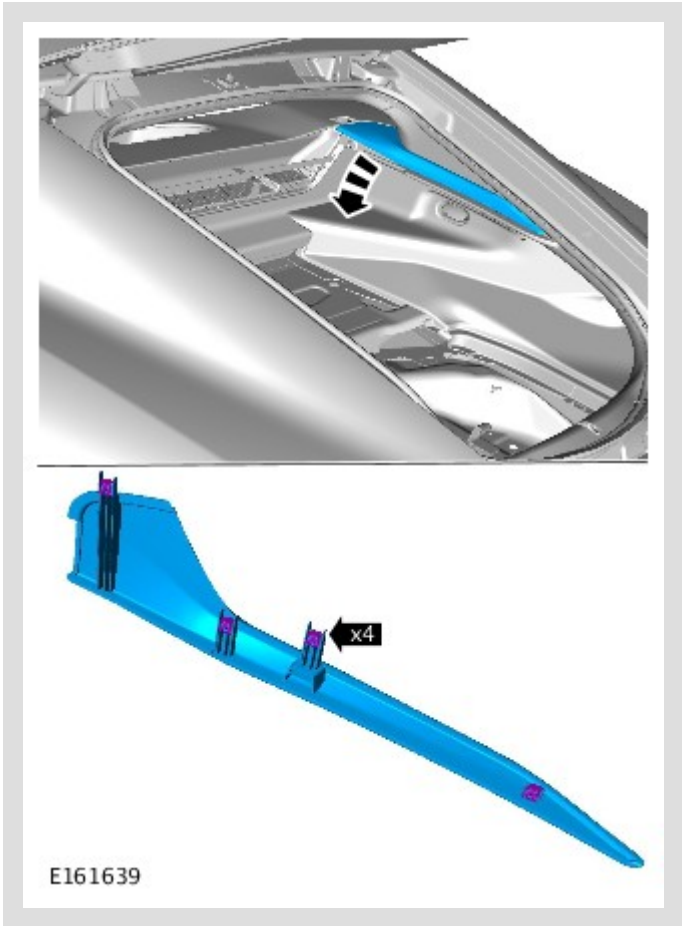
### REMOVAL

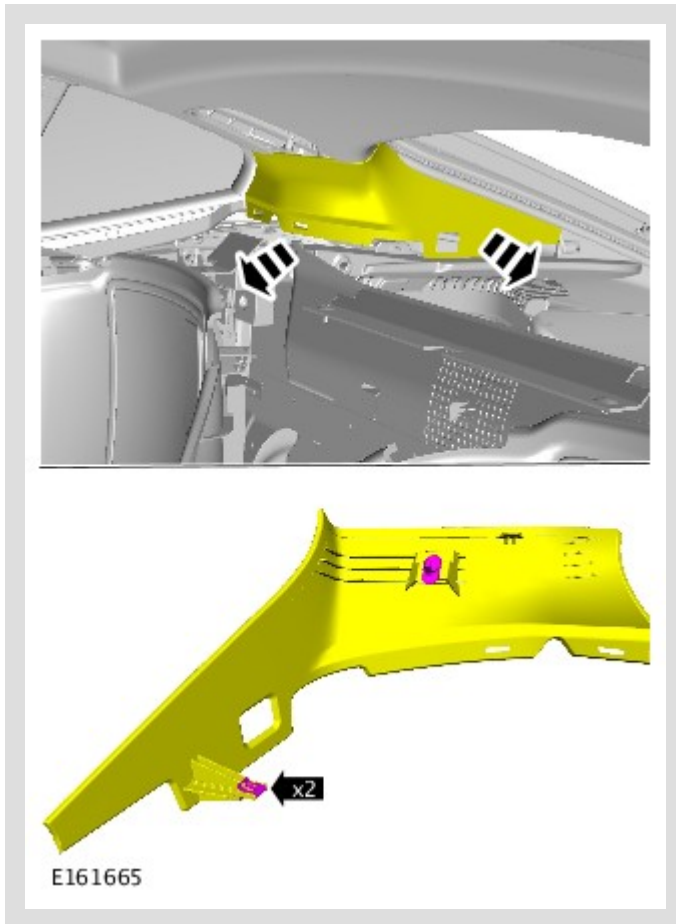
#### NOTE:

RH illustration shown, LH is similar.

1. Remove the parcel shelf.  
Refer to: [Parcel Shelf - Coupe](#) (501-05 Interior Trim and Ornamentation, Removal and Installation).

- 2.

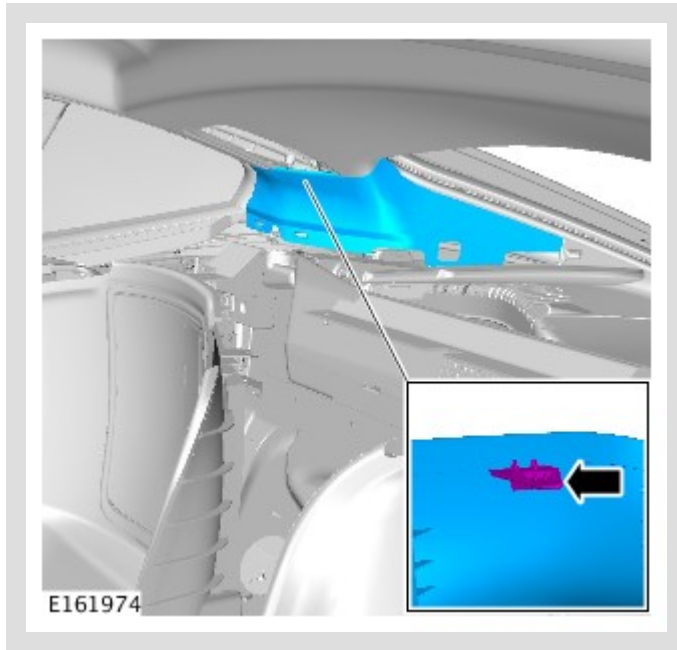




4.

ⓘ CAUTION:

Care must be taken not to damage the headliner on removal.



## INSTALLATION

1. To install, reverse the removal procedure.