

Bumpers -

Description	Nm	lb-ft	lb-in
Front bumper cover retaining bolts	4.1	-	36
Front bumper armature retaining M6 bolts	11	8	-
Front bumper armature retaining M10 bolts	55	41	-
Rear bumper cover retaining bolts	4.1	-	36
Rear bumper armature retaining M8 bolts and nuts at 14MY vehicles	15	11	-
Rear bumper armature retaining M10 bolts and nuts from 15MY vehicles	48	35	-

Bumpers - Front Bumper

Removal and Installation

Removal

NOTES:




Removal steps in this procedure may contain installation details.



Some components shown removed for clarity.



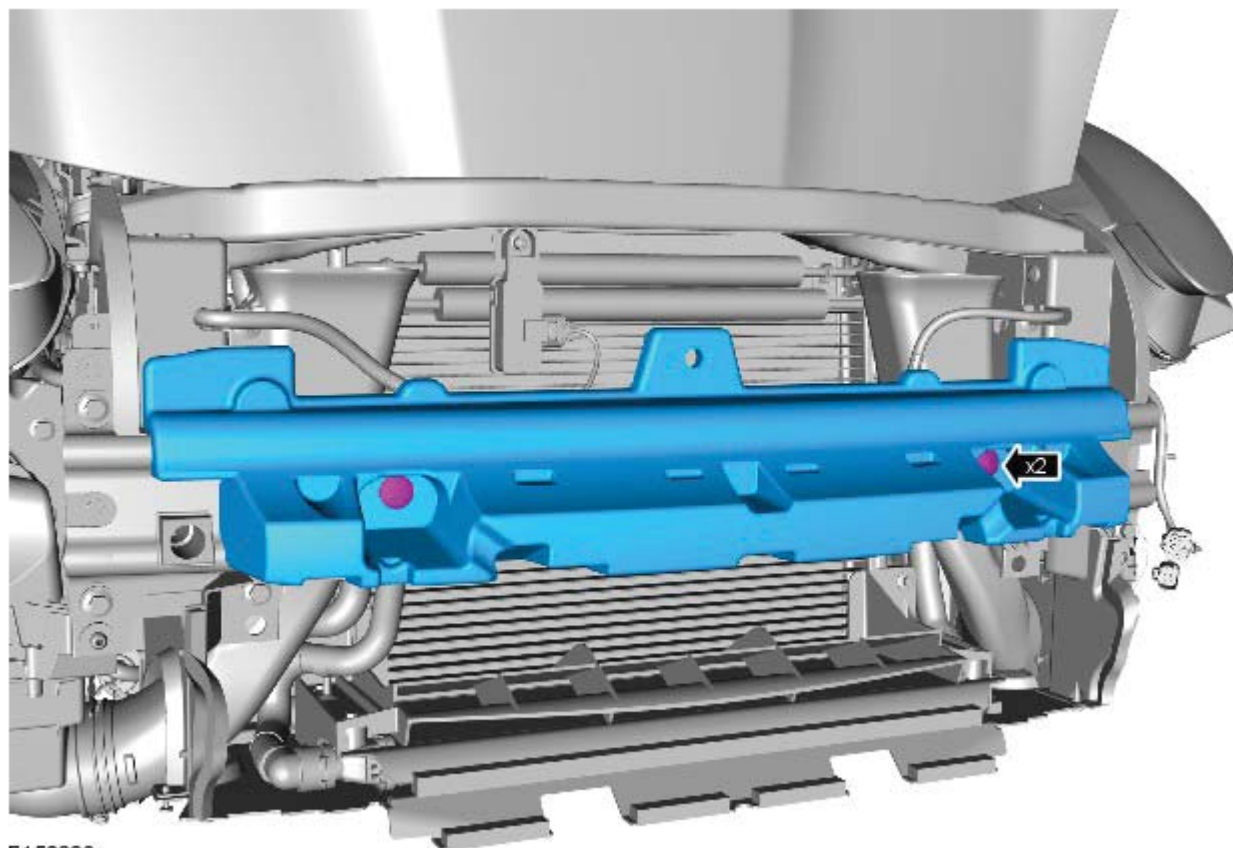
Some variation in the illustrations may occur, but the essential information is always correct.

1.  **WARNING:** Make sure to support the vehicle with axle stands.

Raise and support the vehicle.

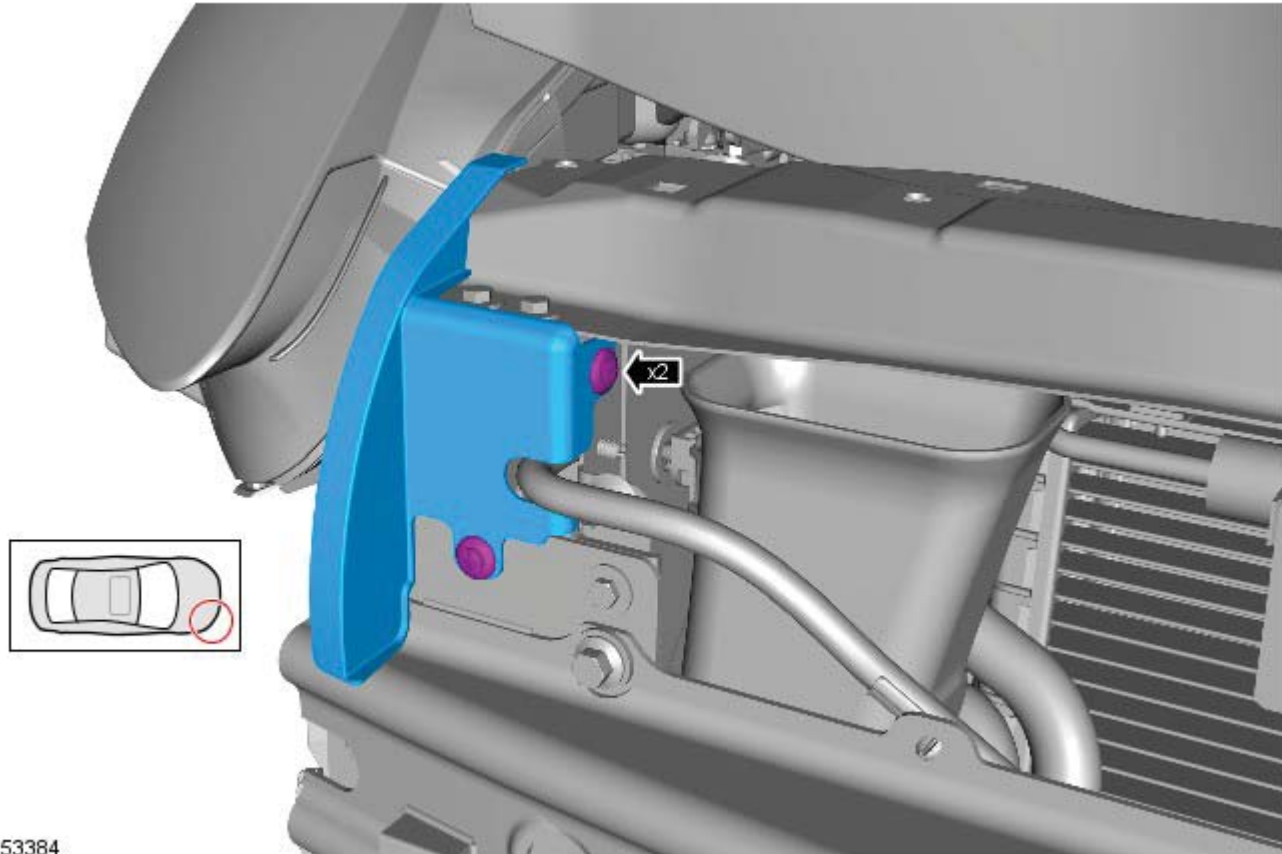
2. Refer to: [Front Bumper Cover](#) (501-19 Bumpers, Removal and Installation).
Refer to: [Front Bumper Cover](#) (501-19 Bumpers, Removal and Installation).

- 3.



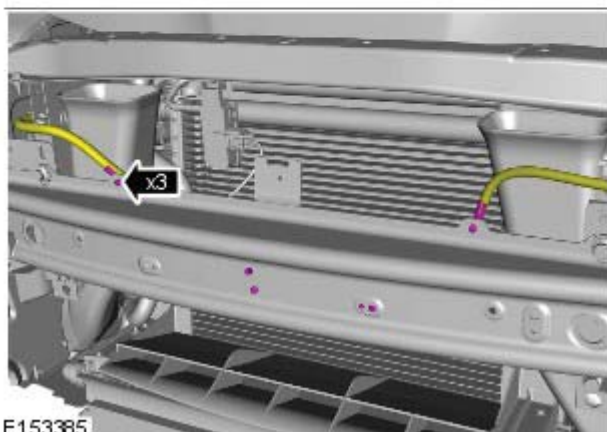
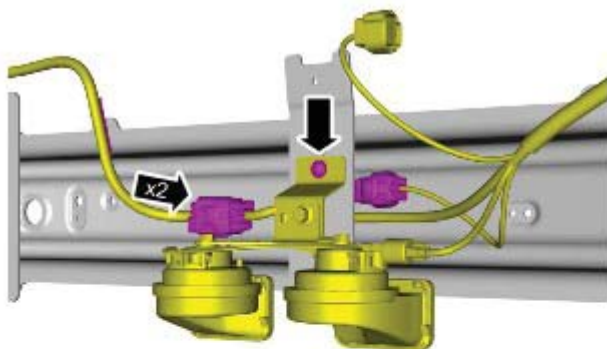
E153386

4.  **NOTE:** Repeat the step for the other side.



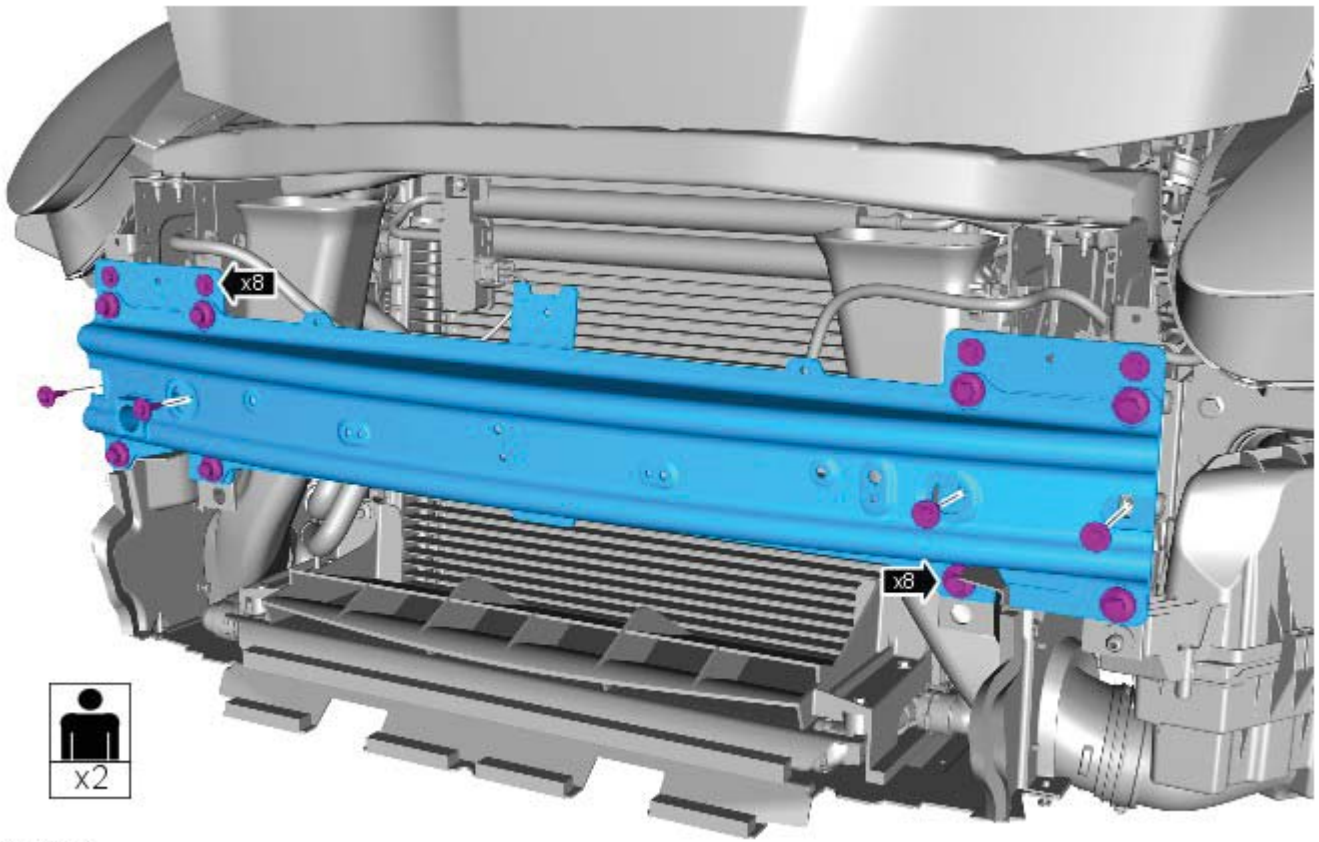
E153384

5.



E153385

6. Torque:
M6 bolts 11 Nm
M10 bolts 55 Nm



E153387

Installation

1. To install, reverse the removal procedure.

Bumpers - Front Bumper Cover

Removal and Installation

Removal



NOTE: Removal steps in this procedure may contain installation details.

1.  **WARNING:** Make sure to support the vehicle with axle stands.

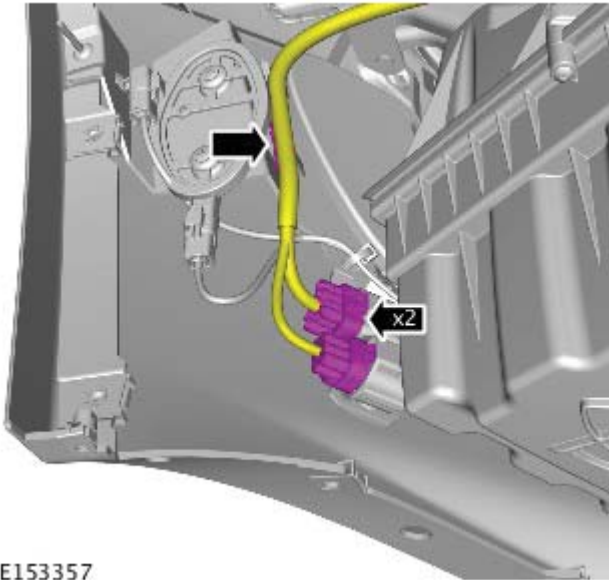
Raise and support the vehicle.

2.  **NOTE:** The procedure must be carried out on both sides.

Refer to: [Fender Splash Shield](#) (501-02 Front End Body Panels, Removal and Installation).

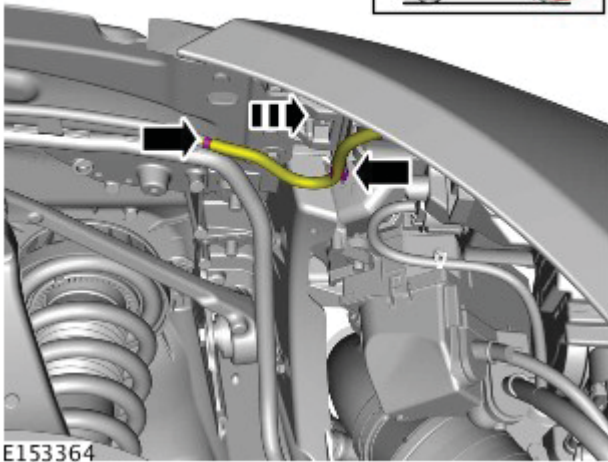
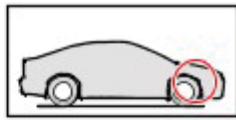
3. Refer to: [Radiator Splash Shield](#) (501-02 Front End Body Panels, Removal and Installation).


4.



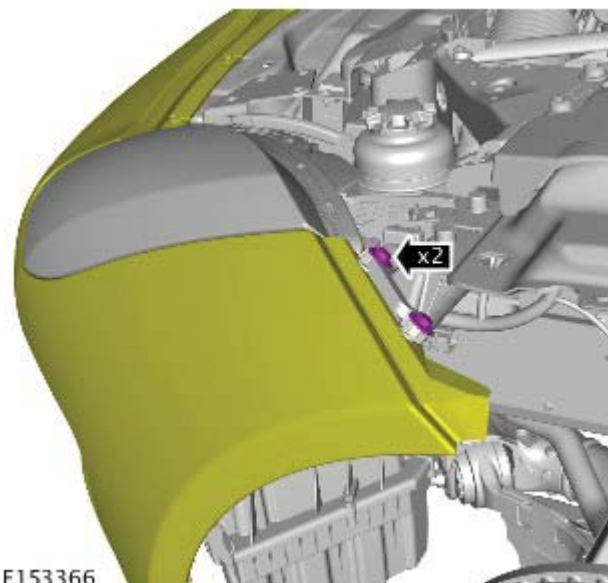
E153357

5.




6.  NOTE: Repeat the procedure for the other side.

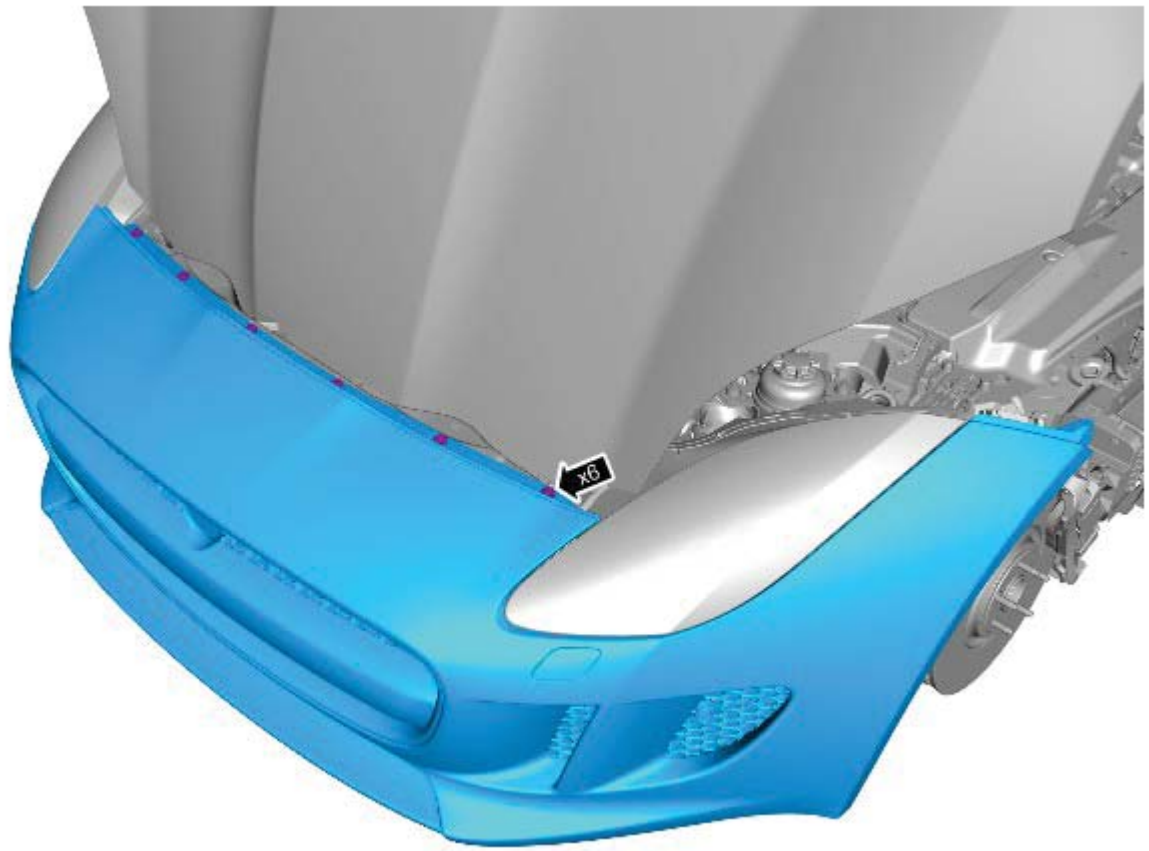
Torque: 4.1 Nm



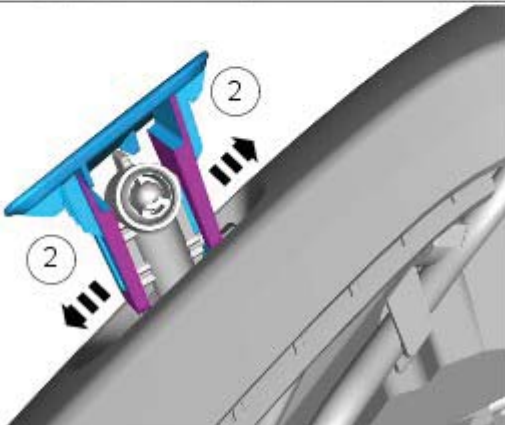
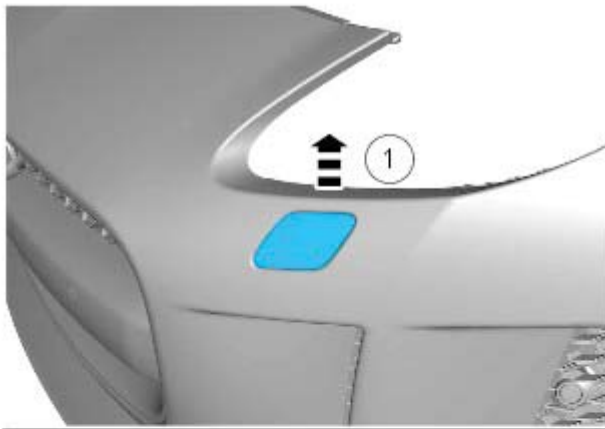
7.  CAUTION: Always protect paintwork and glass when removing exterior components.

 NOTE: Do not disassemble further if the component is removed for access only.


Torque: 4.1 Nm



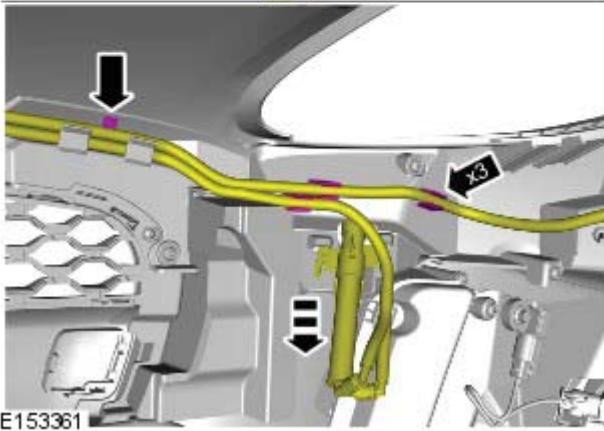
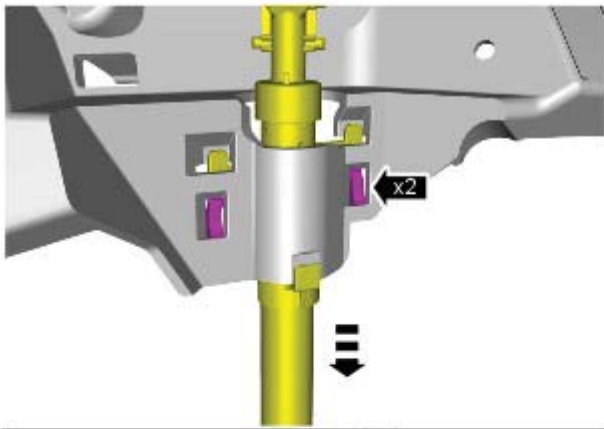
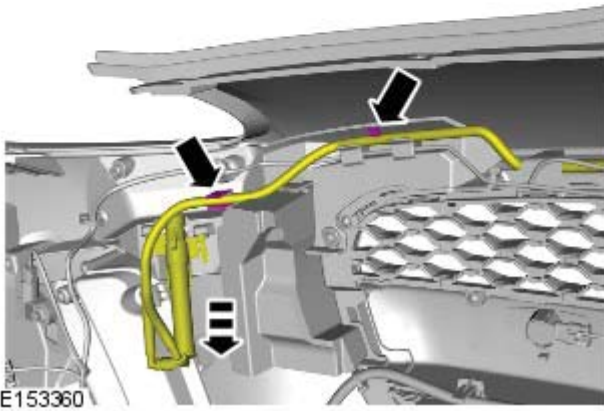
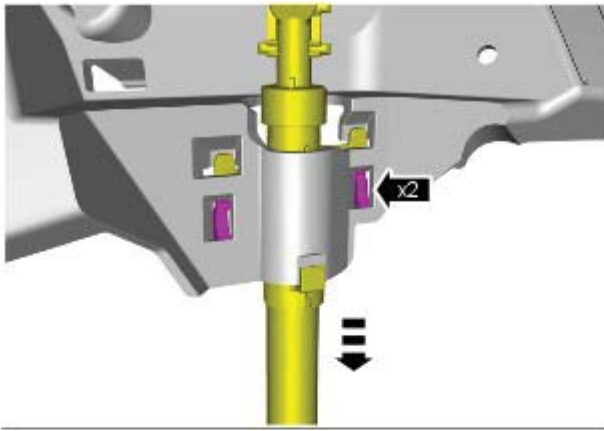
E153365



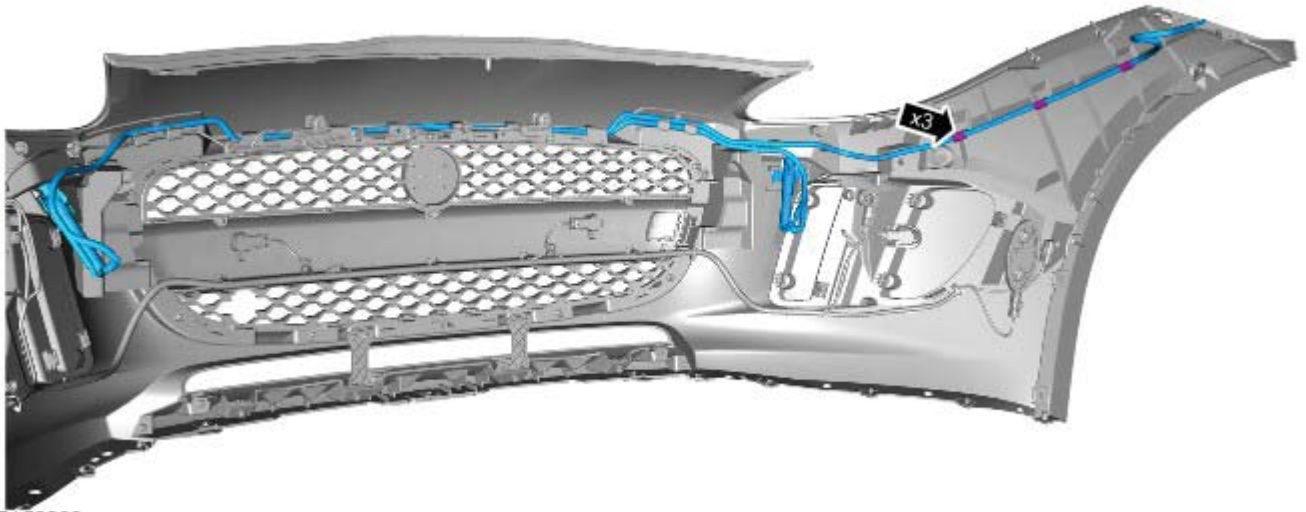
E153359

8.  NOTE: Repeat the procedure for the other side.

9.  CAUTION: Take extra care not to damage the clips.

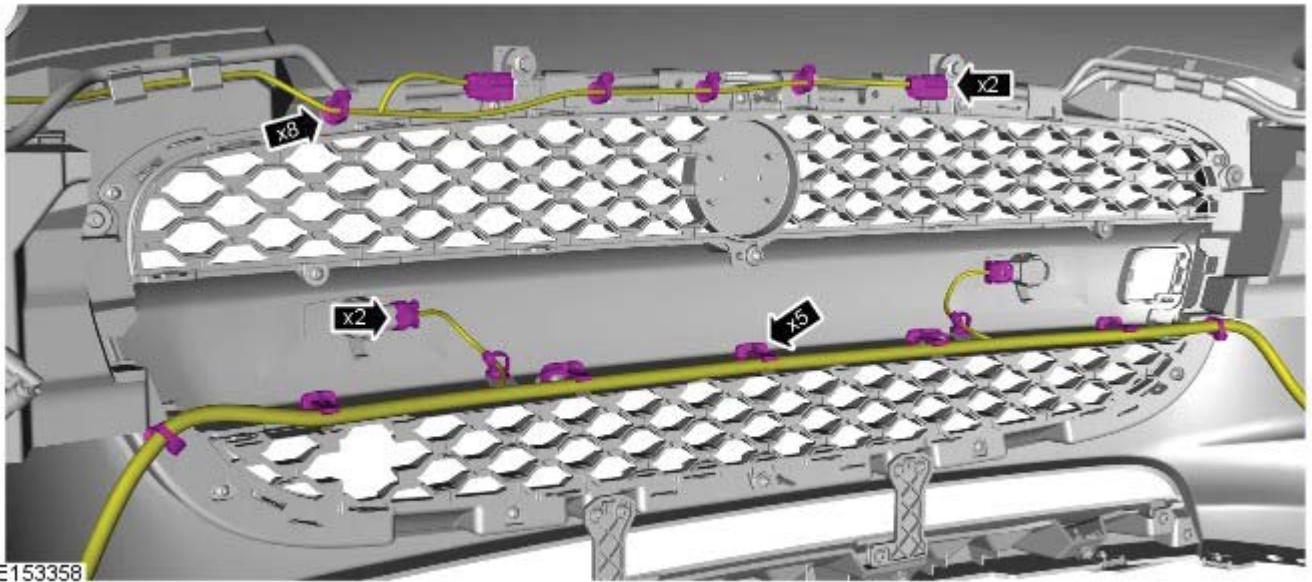


10.  CAUTION: Take extra care not to damage the clips.



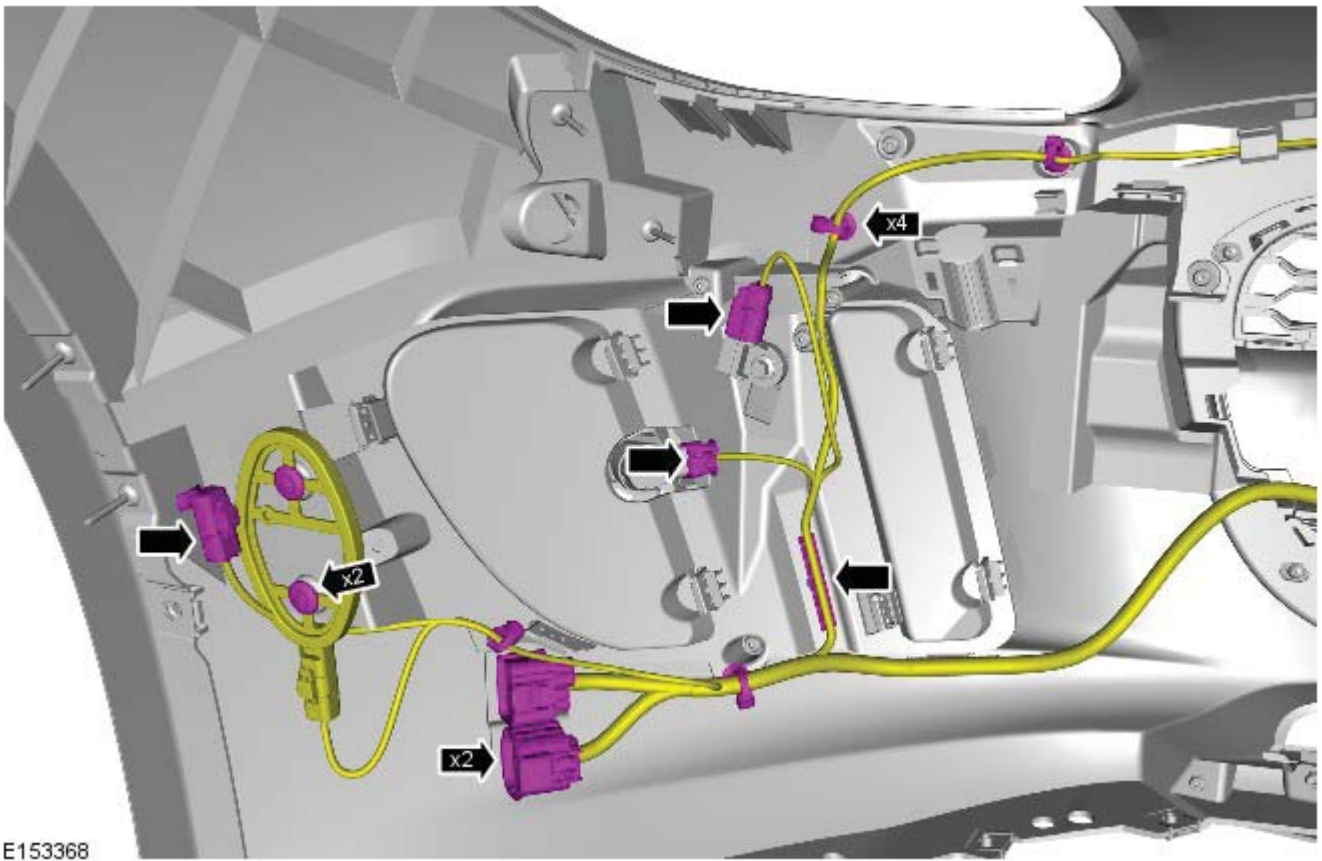
E153363

12.



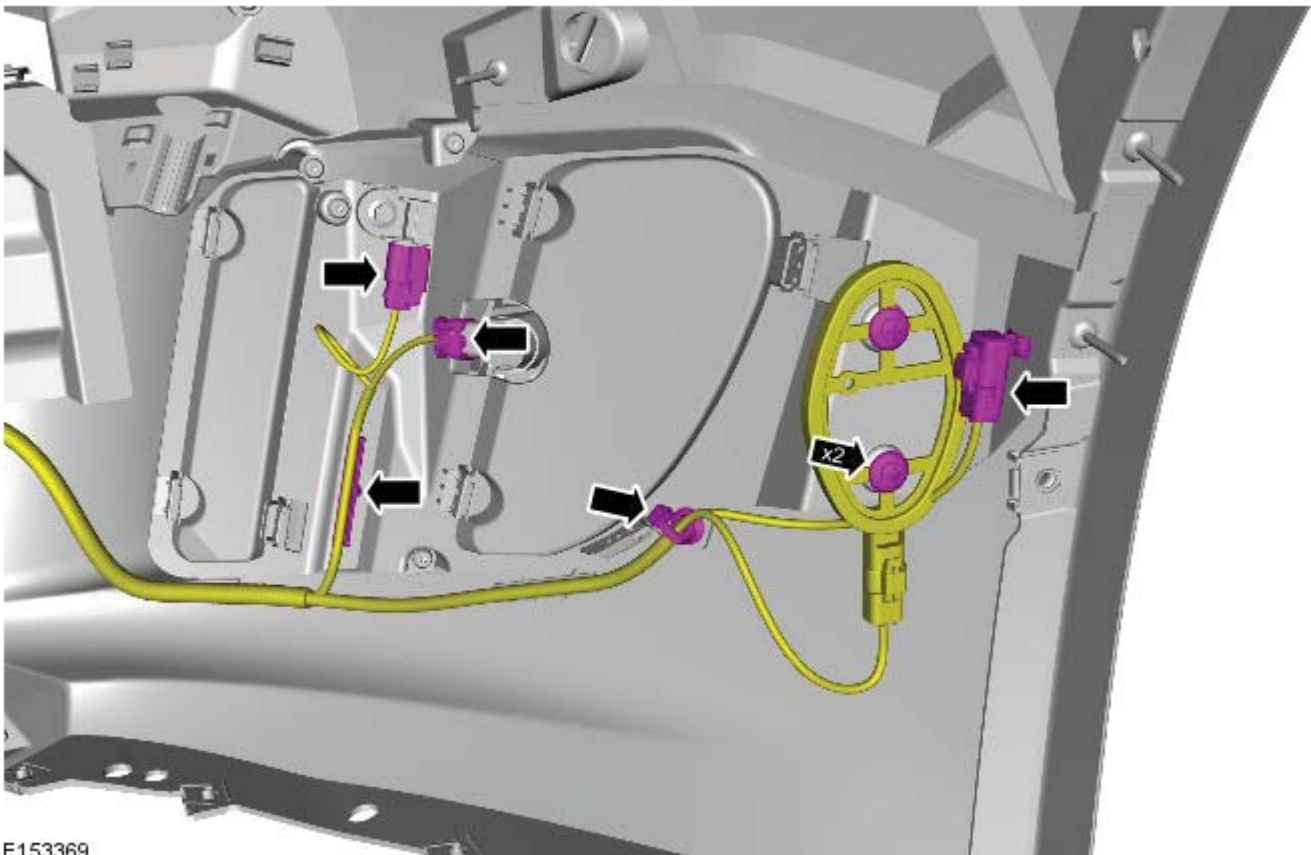
E153358

13.



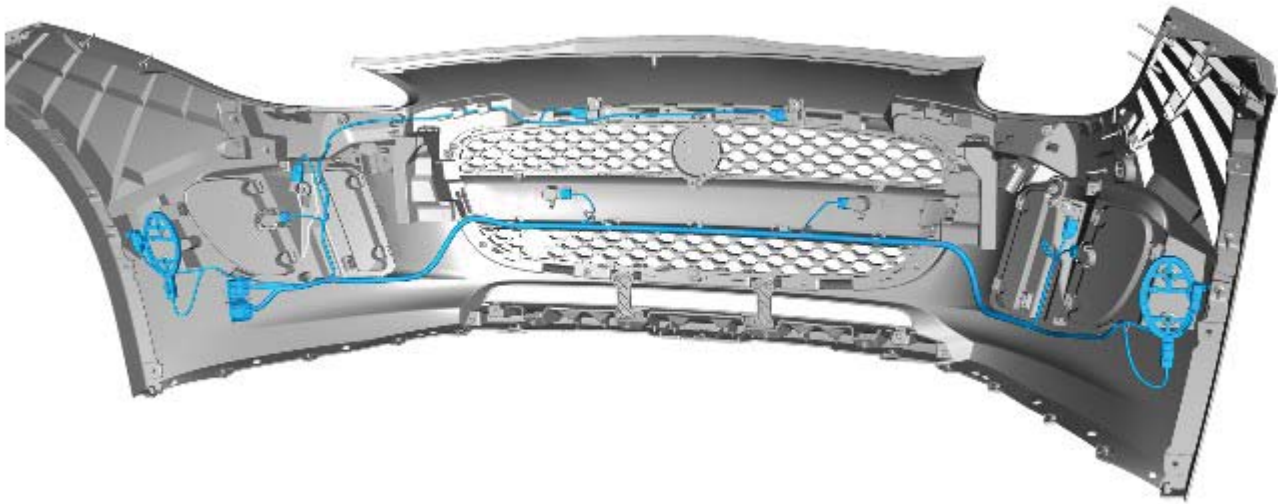
E153368

14.



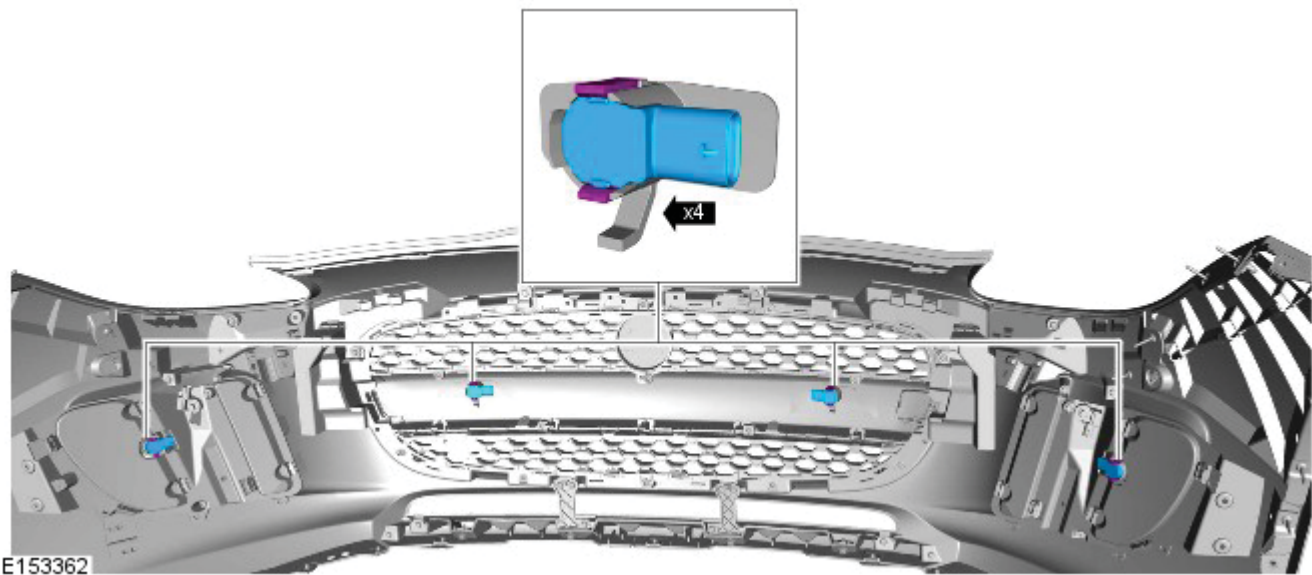
E153369

15.



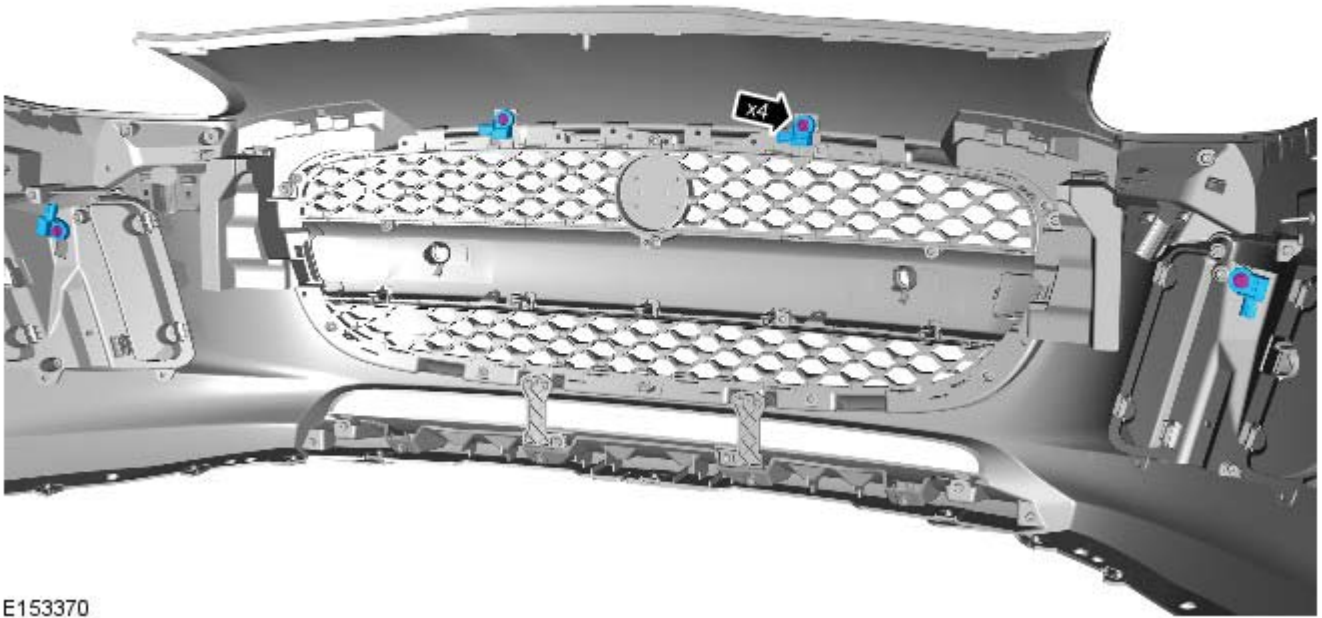
E153367

16.



E153362

17. Torque: 3.2 Nm



E153370

Installation

1. To install, reverse the removal procedure.