

Front End Body Panels -**Torque Specifications**

Description	Nm	lb-ft	lb-in
Air deflector nuts and rear bolts	4.1		36
Air deflector front bolts	9		80
Fender upper trim screws	3.7		33
Fender main bolts	9		80
Front strut brace bolts	55		487
Engine harness multi plug bolt	6		53
Multi plug bracket bolts	4		35
Air conditioning pipe bracket bolt	4		35
Coolant hose bracket bolt	7		62
RH secondary bulkhead panel bolt	7		62

Front End Body Panels - Fender Splash Shield

Removal and Installation

Removal


NOTES:



Removal steps in this procedure may contain installation details.



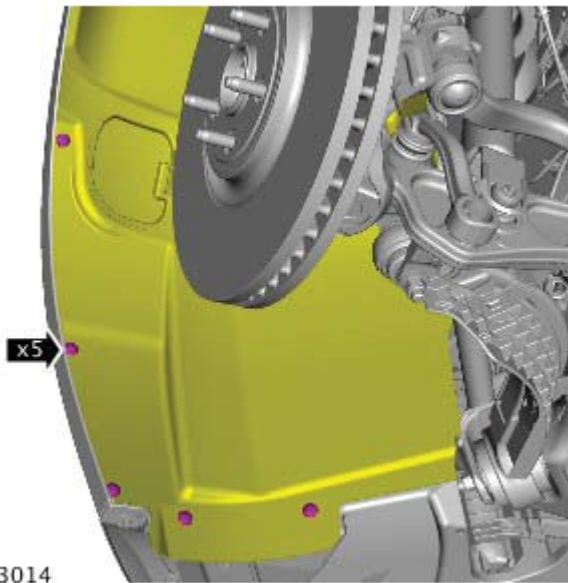
LH illustration shown, RH is similar.

1.  **WARNING:** Make sure to support the vehicle with axle stands.

Raise and support the vehicle.

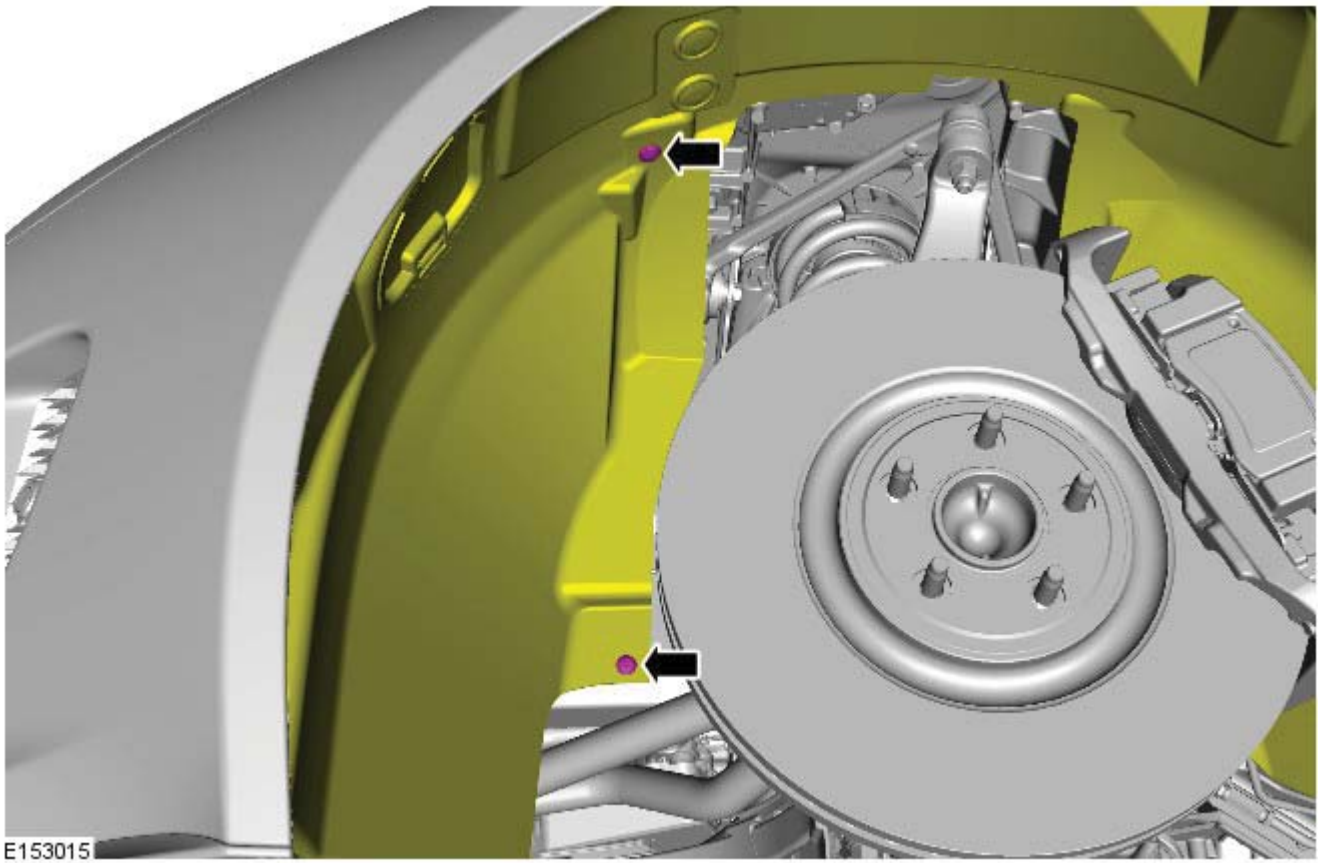
2. Refer to: [Wheel and Tire](#) (204-04 Wheels and Tires, Removal and Installation).

- 3.

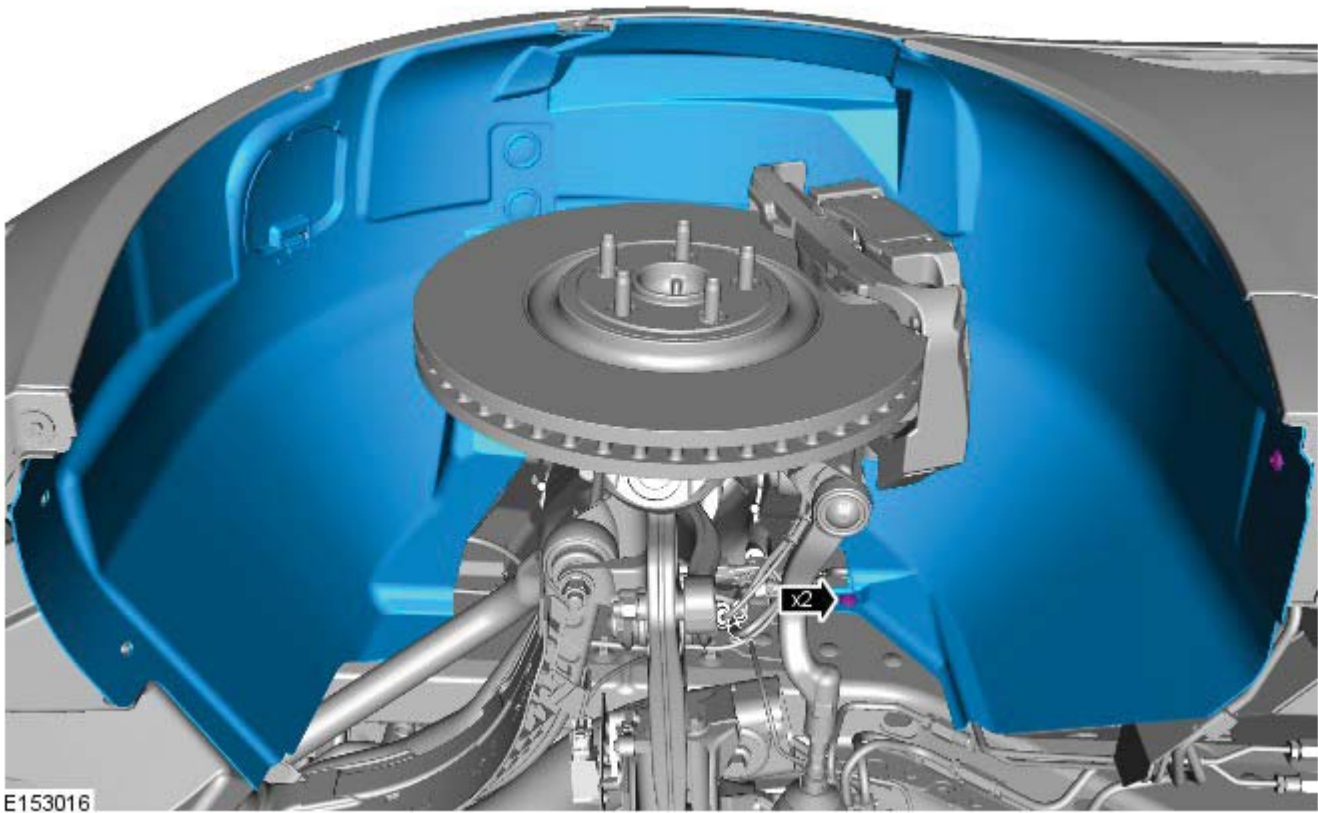


E153014

- 4.



5.



Installation

1. To install, reverse the removal procedure.


Front End Body Panels - Radiator Splash Shield

Removal and Installation


Removal

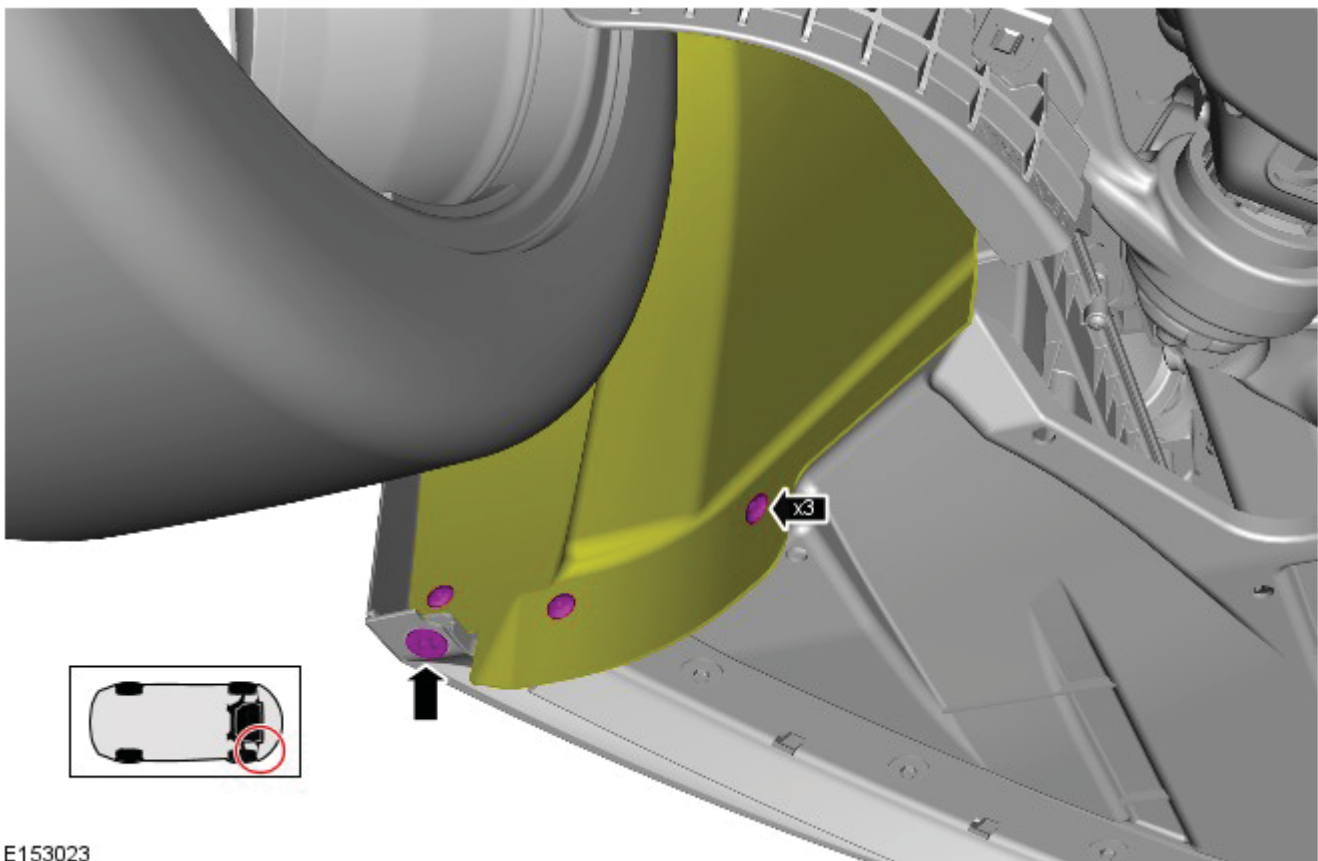


NOTE: Removal steps in this procedure may contain installation details.

1.  **WARNING:** Make sure to support the vehicle with axle stands.

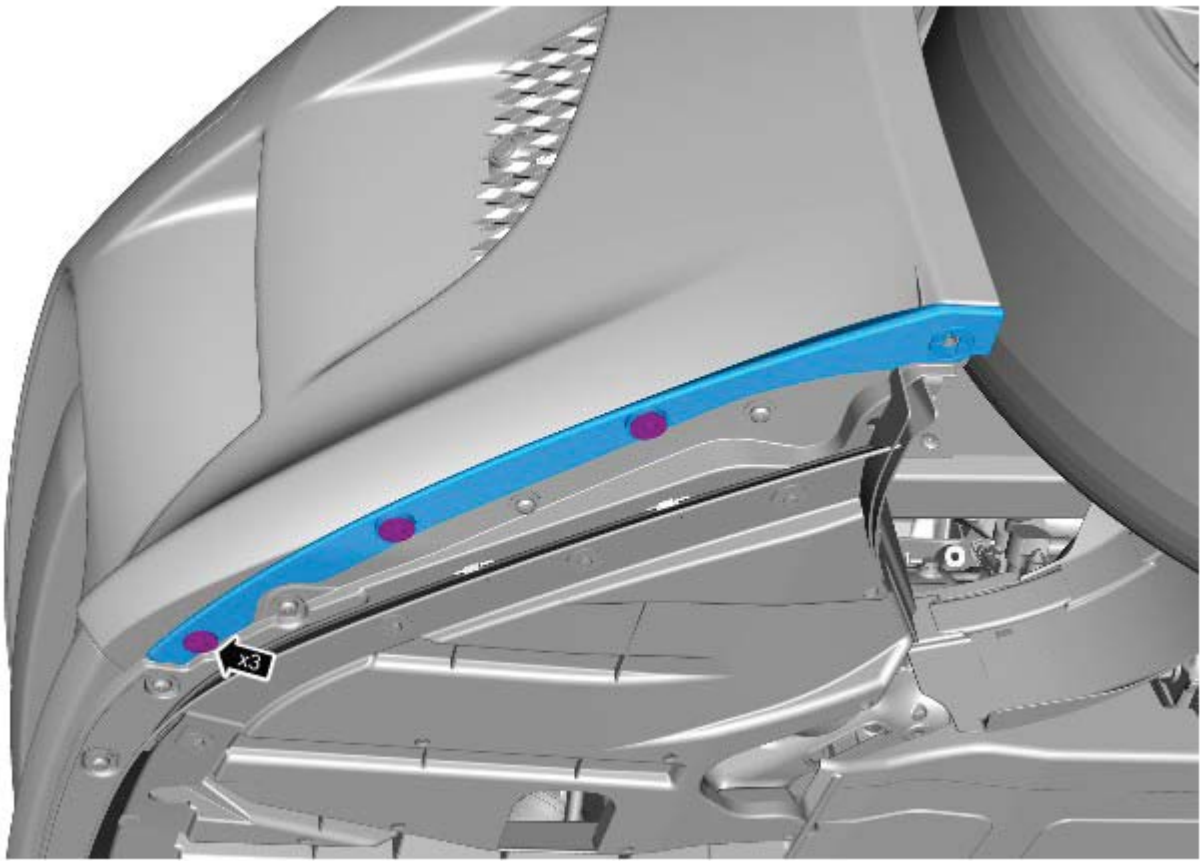
Raise and support the vehicle.

2.  NOTE: Repeat the procedure for the other side.



E153023

3.  NOTE: Repeat the procedure for the other side.



E153020


4.

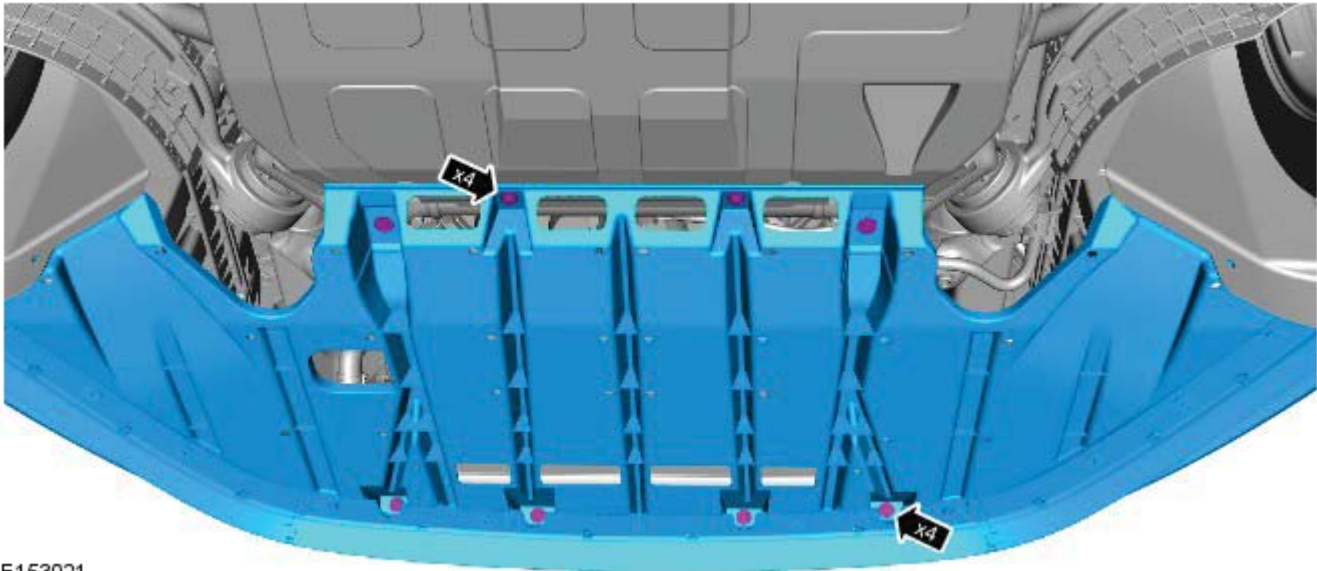


E153022

5. NOTES:

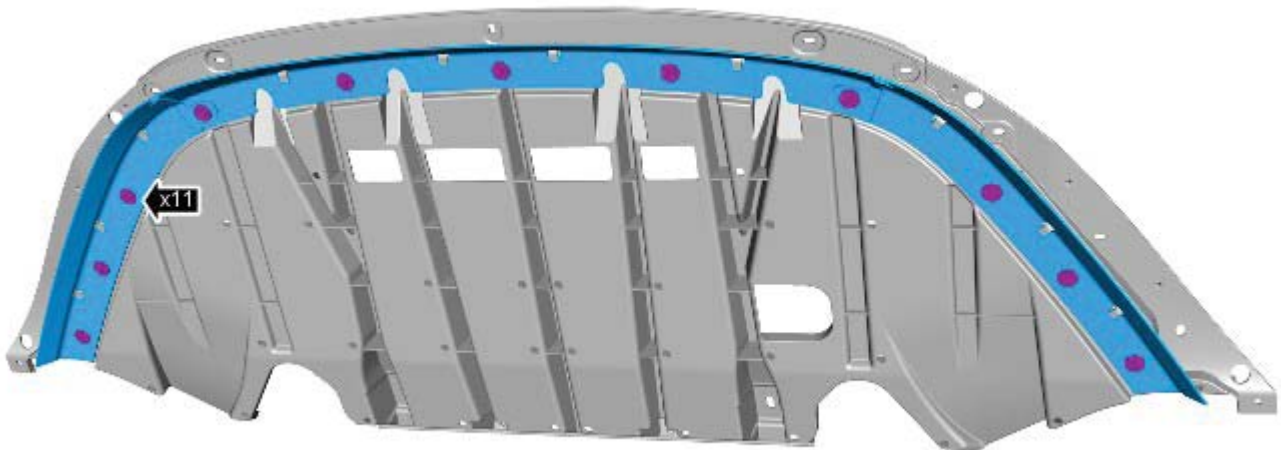
 Note the fitted position of the washers.

 Do not disassemble further if the component is removed for access only.



E153021

6.



E153019

Installation

1. To install, reverse the removal procedure.