

PUBLISHED: 19-APR-2013  
2017.0 F-TYPE (X152), 501-18

## FOLDING TOP

# FOLDING TOP REAR LATCH MOTOR (G1585152)

### REMOVAL AND INSTALLATION

#### REMOVAL

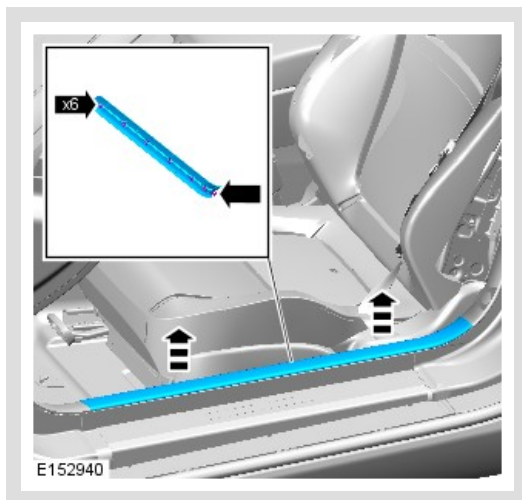
#### NOTE:

Removal steps in this procedure may contain installation details.


1.

#### NOTE:

Repeat the procedure for the other side.



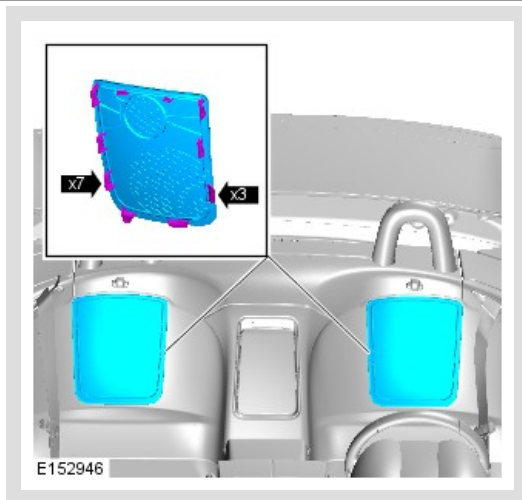
2.

 NOTE:


Repeat the procedure for the other side.



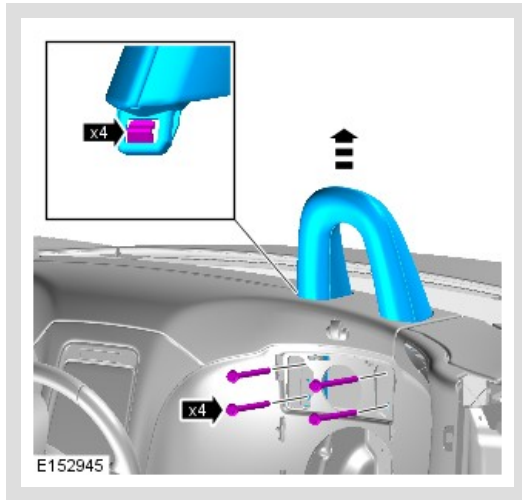
3.



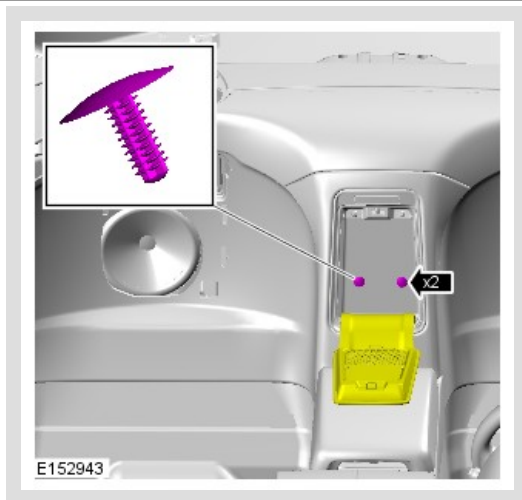
4.

 NOTE:

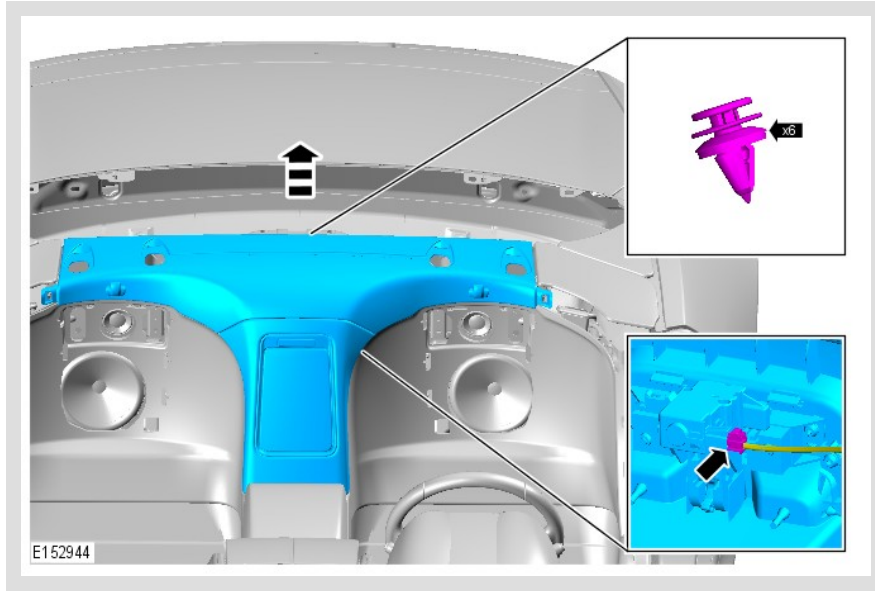
Repeat the procedure for the other side.




5.



6.



7.

 NOTE:

Repeat the procedure for the other side.

