

TECHNICAL BULLETIN

JTB00432v2

14 SEP 2015



© Jaguar Land Rover Limited
All rights reserved.

This bulletin supersedes TSB JTB00432/2015 dated 16 JUN 2015, which should either be destroyed or clearly marked to show it is no longer valid (e.g. with a line across the page). Only refer to the electronic version of this Technical Bulletin in TOPIx.

Changes are highlighted in gray

SECTION: 501-00

Vibrations And/Or Rattles When Listening To The Entertainment System

AFFECTED VEHICLE RANGE:

F-TYPE (X152)

Model Year: 2014-2016
VIN: K00001-K27583
Manufacturing Plant: Castle Bromwich

MARKETS:

All

CONDITION SUMMARY:

Situation: A customer may express a concern that there is a vibration or a rattling noise when they are listening to the entertainment system.

This version has been created to update the Affected Vehicle Range, Parts, Tools, Warranty, Diagnostic Procedure and Service Instruction sections.

Cause: Trim and/or wiring contact.

Suggested Customer Concern Code - QD5

Action: Should a customer express this concern, follow the Diagnostic Procedure and Service Instruction below.

PARTS:

T2R21202	Foam insulator kit	Quantity: 1
T2R21163	NVH pad	Quantity: 2
T2R21164	NVH pad	Quantity: 2

TOOLS:

JLR approved diagnostic tool (SDD)
SDD DVD142.06 and Calibration File 215 loaded or later



E179225

JLR approved battery support unit



E179226

WARRANTY:

 **NOTE: Repair procedures are under constant review, and therefore times are subject to change; those quoted here must be taken as guidance only. Always refer to TOPIx to obtain the latest repair time.**

 **NOTE: DDW requires the use of causal part numbers. Labor only claims must show the causal part number with a quantity of zero.**

DESCRIPTION	SRO	TIME (HOURS)	CONDITION CODE	CAUSAL PART
Door trim panel removed for access - single	76.34.01.90	0.2	42	T2R10501
Door trim panel removed for access - pair	76.34.15.90	0.3	42	T2R10501
Rear subwoofer speaker - renew - coupe	86.51.05	0.6	42	T2R10501
Rear subwoofer speaker - renew - folding top	86.51.05	0.5	42	T2R10501
Insulating components (single door)	05.10.30	0.3	42	T2R10501
Insulating components (pair of doors)	05.10.50	0.5	42	T2R10501
Insulating components (single door and parcel shelf)	05.10.70	0.7	42	T2R10501
Insulating components (pair of doors and parcel shelf)	05.10.90	0.9	42	T2R10501
Checking the software level of the Audio Amplifier Module (AAM) using SDD	86.99.99	0.2	42	T2R10501
Configuring the AMM using SDD	86.99.42	0.6	42	T2R10501

 **NOTE: Normal Warranty procedures apply.**

DIAGNOSTIC PROCEDURE:

1  **CAUTION: This procedure requires SDD DVD142.06 and Calibration File 215 loaded or later.**

Connect the JLR approved battery support unit.

2 Connect SDD to the vehicle and begin a new diagnostic session, by reading the vehicle identification number (VIN) for the current vehicle and initiating the data collect sequence.

3 Follow the SDD prompts.

4 Check the software level of the of the AAM.

- If there is a software update available for the AAM complete the Diagnostic Procedure below.
- If the AAM is already at the latest software level go to Step 6

5 If the hyperlink is not available, the application can be found as follows:

- Select the Diagnosis Session Type.
- Select any of the following symptoms:
 - Electrical - Information and entertainment system – Entertainment system
- Select the 'Extras' tab
- Run: Configure existing module - Audio amplifier module

6 When all of the tasks are complete, exit the current session by selecting the Session tab and then select the Close Session option.

7 Disconnect SDD and the JLR approved battery support unit.

SERVICE INSTRUCTION:

 **NOTE: Some components shown removed for clarity.**

 **NOTE: Some variation in the illustrations may occur, but the essential information is always correct.**

 **NOTE: Removal steps in this procedure may contain installation details.**

1 The service instruction comprises of three levels of repair.

- Left door
 - Right door
 - Parcel shelf
- Only carry out the repair work as per the customer complaint.

Door vibration or rattle insulation procedure

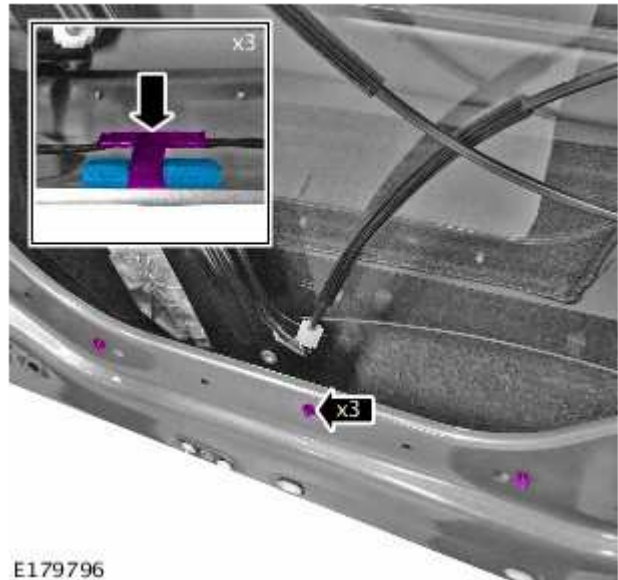
2  **NOTE: Left door shown, right door similar.**


Remove the door trim panel as required (see TOPIx Workshop Manual, section 501-05).

3 Remove the door panel.

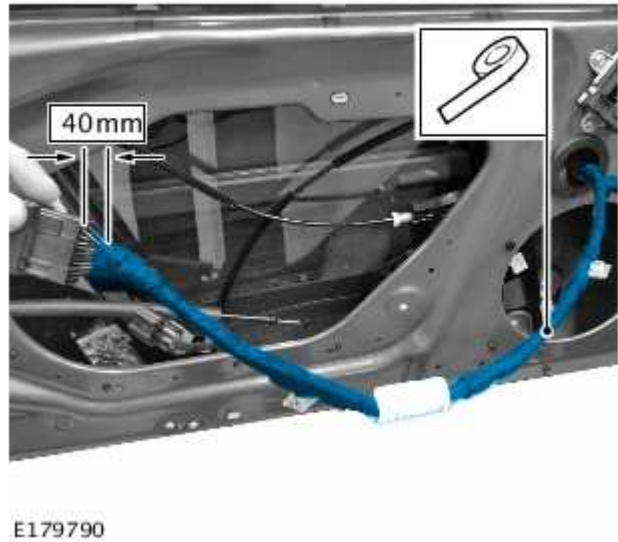


4 Install a foam insulating block in between the electrical wiring harness retaining clip and the door as shown.

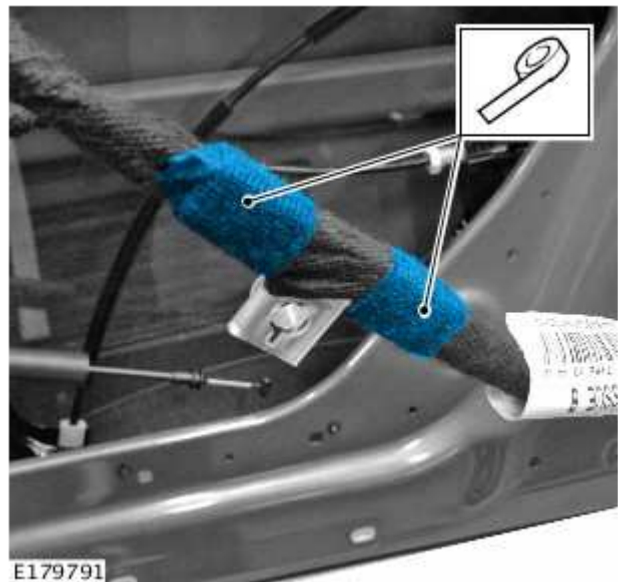



5  **CAUTION: Make sure when installing the felt insulation tape a gap of 40 mm is left at the connector end to allow for electrical wiring harness movement.**

Install the felt insulation tape along the length of the door electrical wiring harness.

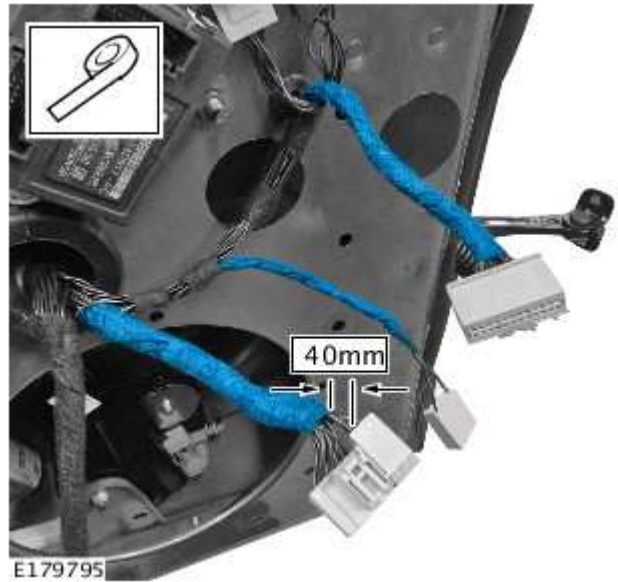


6 Install a second layer of felt insulation tape to the door electrical wiring harness retaining clips.



- 7  **CAUTION: Make sure when installing the felt insulation tape a gap of 40 mm is left at the connector end to allow for electrical wiring harness movement.**

Install the felt insulation tape along the length of the door electrical wiring harnesses.

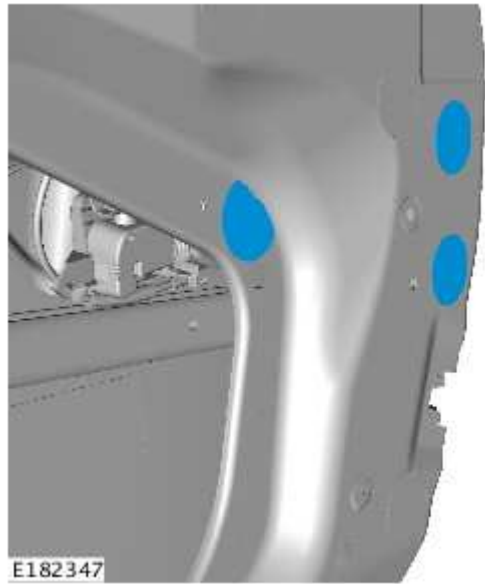


- 8  **CAUTION: The Noise, Vibration and Harshness (NVH) pads must be installed at a temperature of 74 °F to adhere correctly.**

Install the NVH pads inside the door as shown.

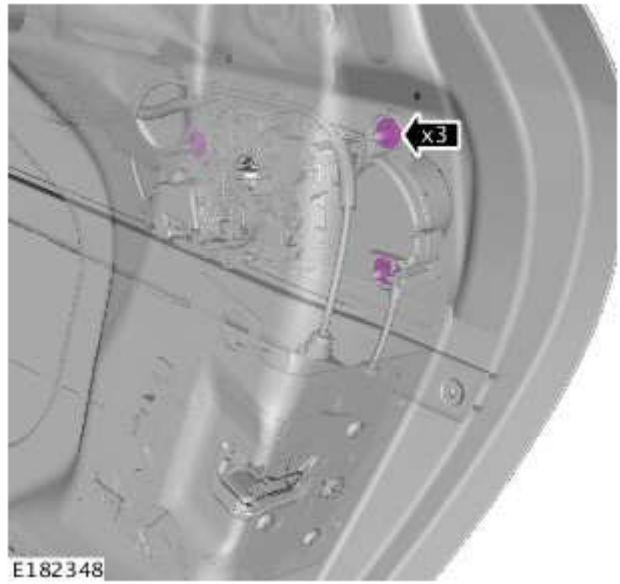


9 Remove the self adhesive pads from the door to access the exterior door handle retaining nuts.

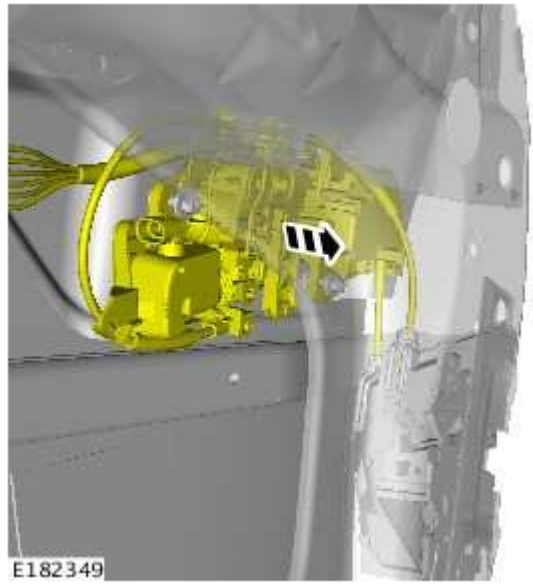


10 Loosen but do not remove the exterior door handle retaining nuts.

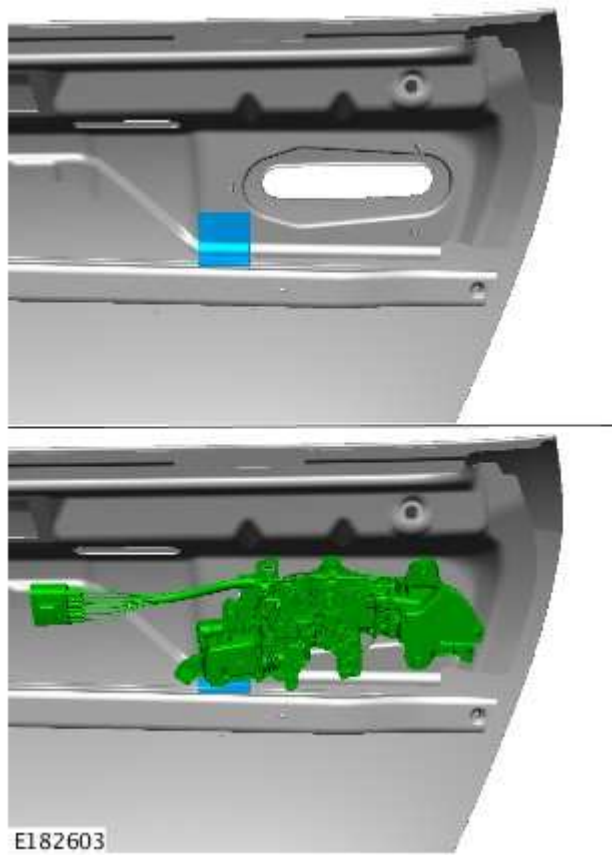
- Turn the retaining nuts 7 complete turns in an anti clockwise direction.



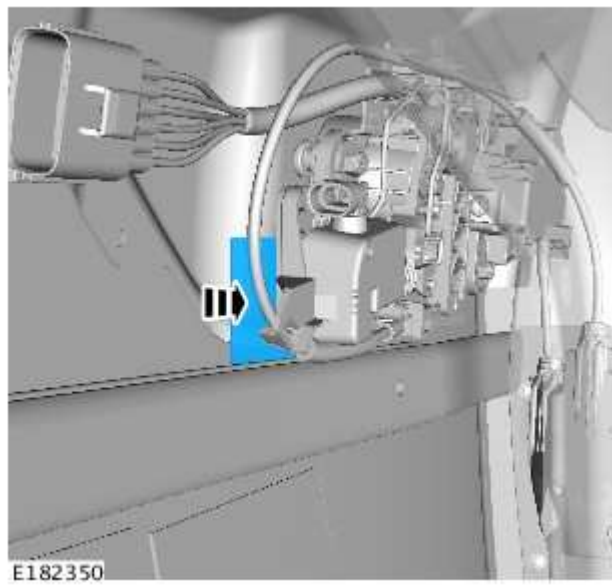
11 Position the exterior door handle to one side.



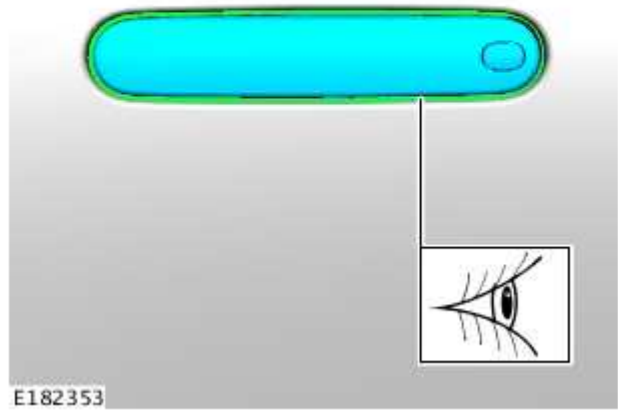
12When installing the foam pad in Step 13, make sure it is aligned as shown.



13Install the foam pad behind the exterior door handle.

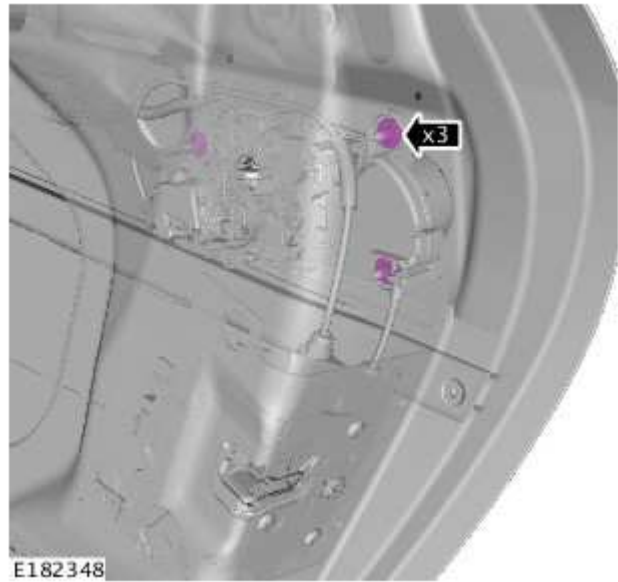


14When installing the exterior handle make sure there is an even gap around its outer edge..

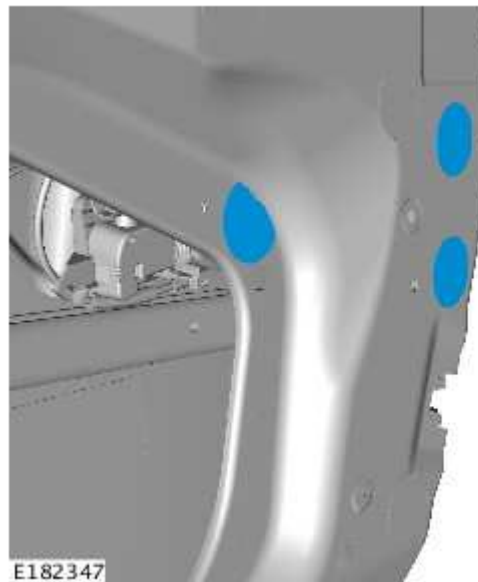


15Install the exterior door handle retaining nuts.

- Torque: 8 Nm



16Install the self adhesive pads.



17 When installing the door panel make sure that the locating lugs are correctly located into the door.



E179789

18  **NOTE: Do not tighten the retaining screws at this stage.**

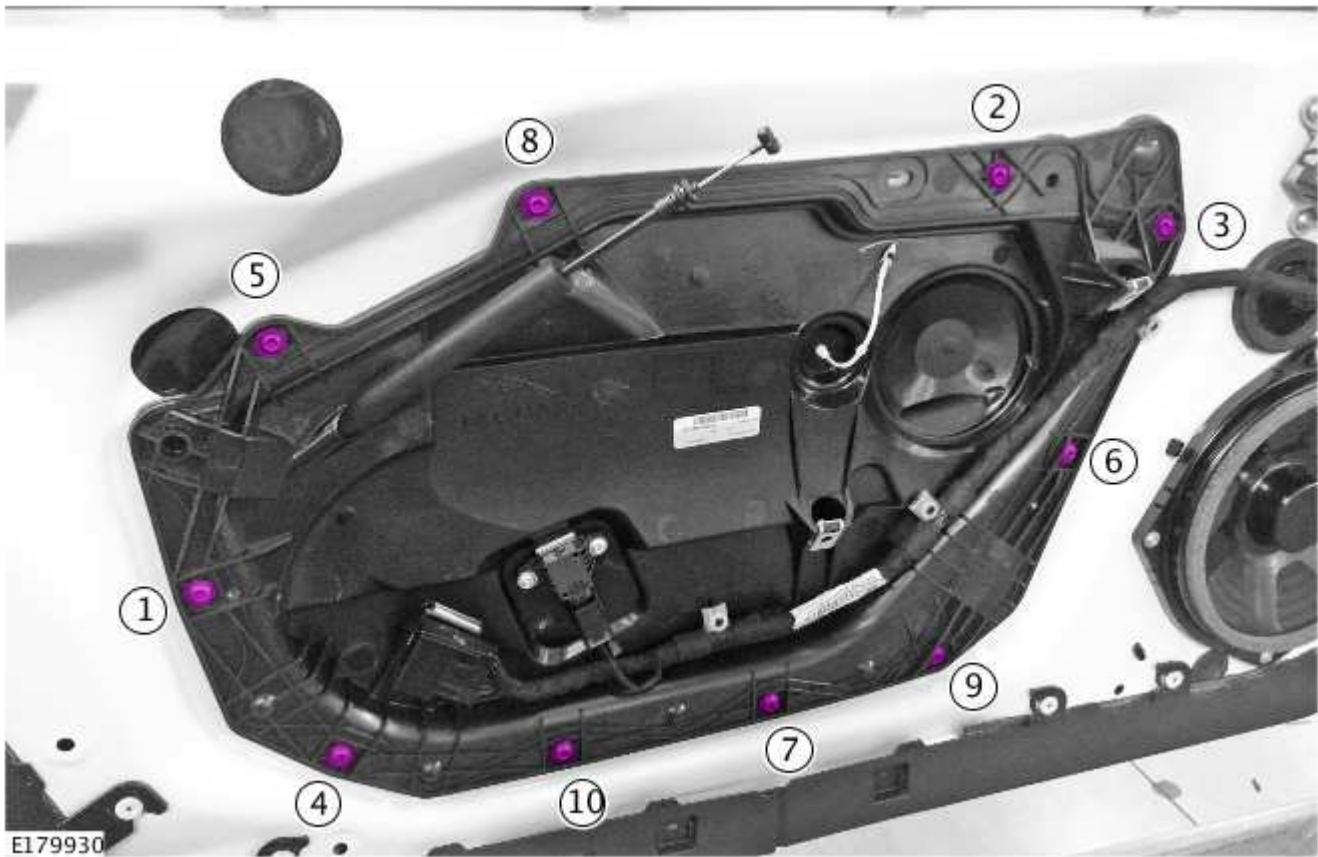
Install the door panel.



E179929

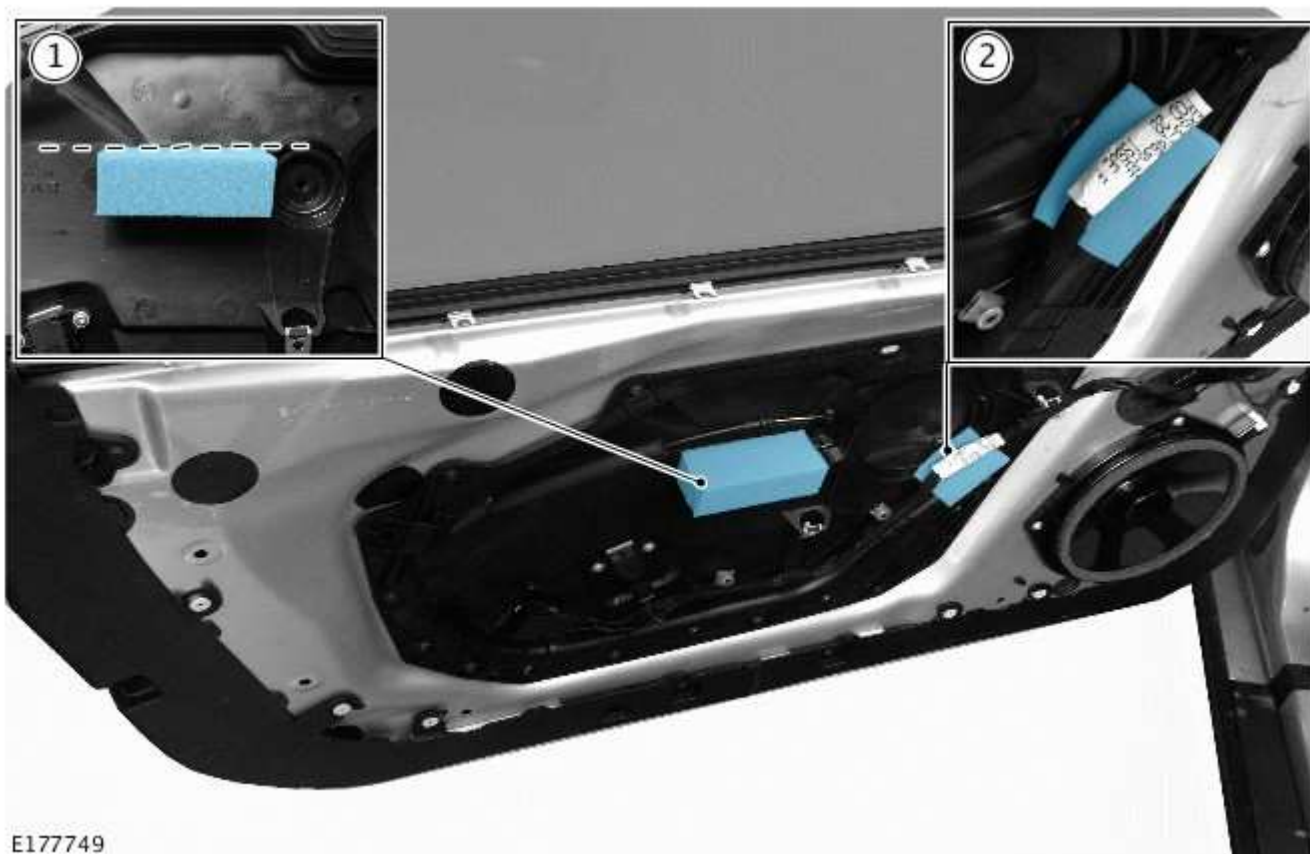
19 Tighten the retaining screws in the sequence shown.

- Torque: 1.5 Nm



20 Install the foam noise insulators to the door.

- The foam block should be aligned with the door panel (1).
- The foam pad must be installed behind the label on the door electrical wiring harness, the exact location of the label may vary between vehicles (2).



E177749

21 Remove the door trims.



E179941

22 Install 0.5mm felt insulation tape to the door trim as shown.



E179792

23 Install 0.5mm felt insulation tape to the door trim as shown.



E179793

24 Install the foam pads behind the door trim panel electrical wiring harness.



E17751

- 25  **CAUTION:** Make sure when installing the felt insulation tape a gap of 40 mm is left at the connector end to allow for electrical wiring harness movement.

Install felt insulation tape to the door trim electrical wiring harness.



E179794

26 Inspect the speaker grille on the door trim panel.

- Using a suitable feeler gauge check the clearance between the speaker baffle and the door trim panel.
- If a clearance is found proceed to step 24. If no clearance is found proceed to Step 25



27 Using a suitable trim tool, install felt tape between the speaker baffle and the door panel trim.



28 Repeat Steps 2-18 for the other side of the vehicle if required.

29 To install, reverse the removal procedure.

SERVICE INSTRUCTION:

Parcel shelf vibration or rattle insulation procedure

1 Remove the subwoofer speakers (see TOPIx Workshop Manual, section 415-01).

2  **NOTE: Folding top shown, Coupe similar.**

When the parcel shelf is removed install foam pads to the contact areas shown.



E177756

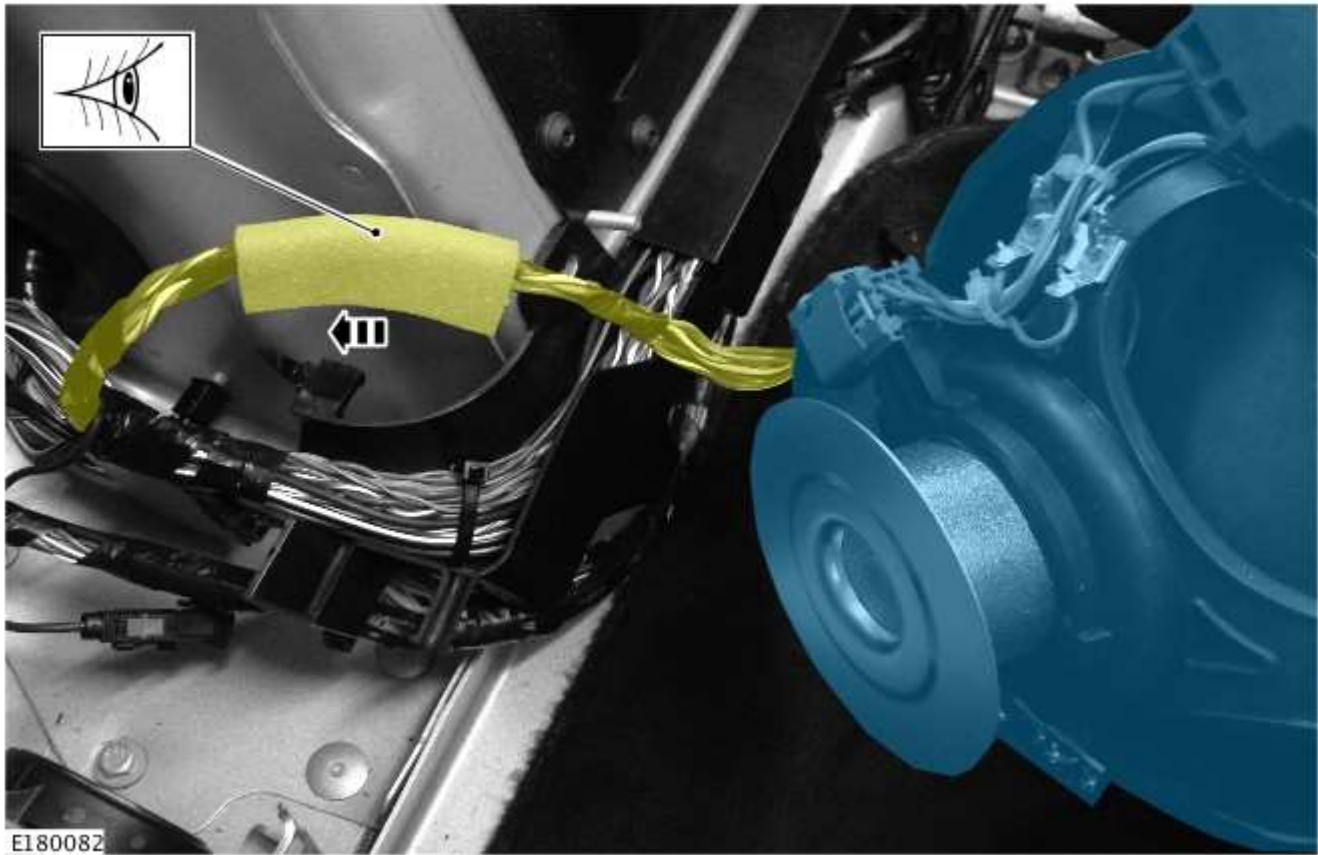
- 3  **NOTE: The exact position and quantity of the foam pad(s) necessary to install will be determined by the routing of the electrical wiring harness.**

Install the foam pad(s) where the electrical wiring harness is in contact with the vehicle body when the subwoofer speaker is installed.



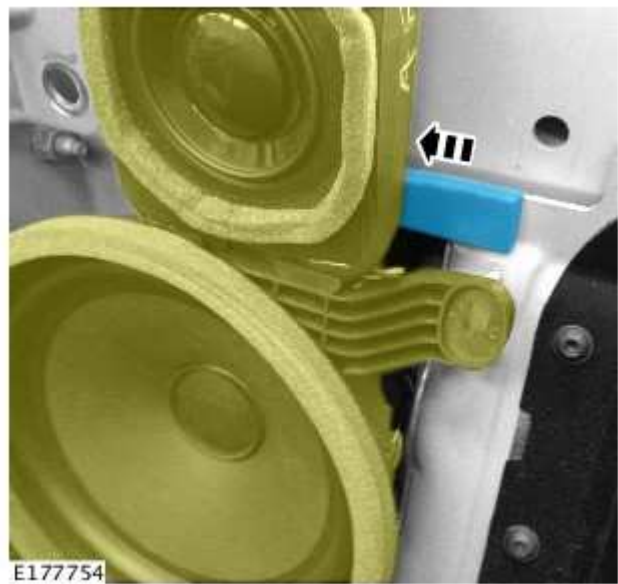
E177753

4 Make sure when installing the subwoofer the electrical wiring harness is installed into the body cavity,



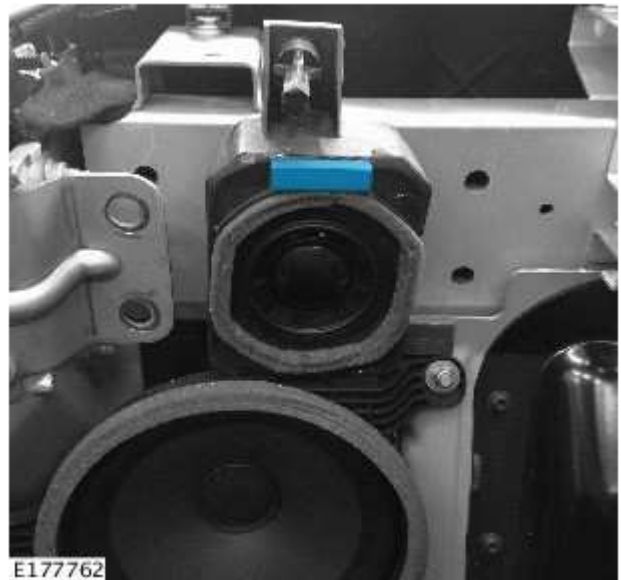
5  **NOTE: Repeat for both sides of the vehicle.**

Before installing the subwoofer speakers install the foam block as shown.



6  **NOTE: Repeat for both sides of the vehicle.**

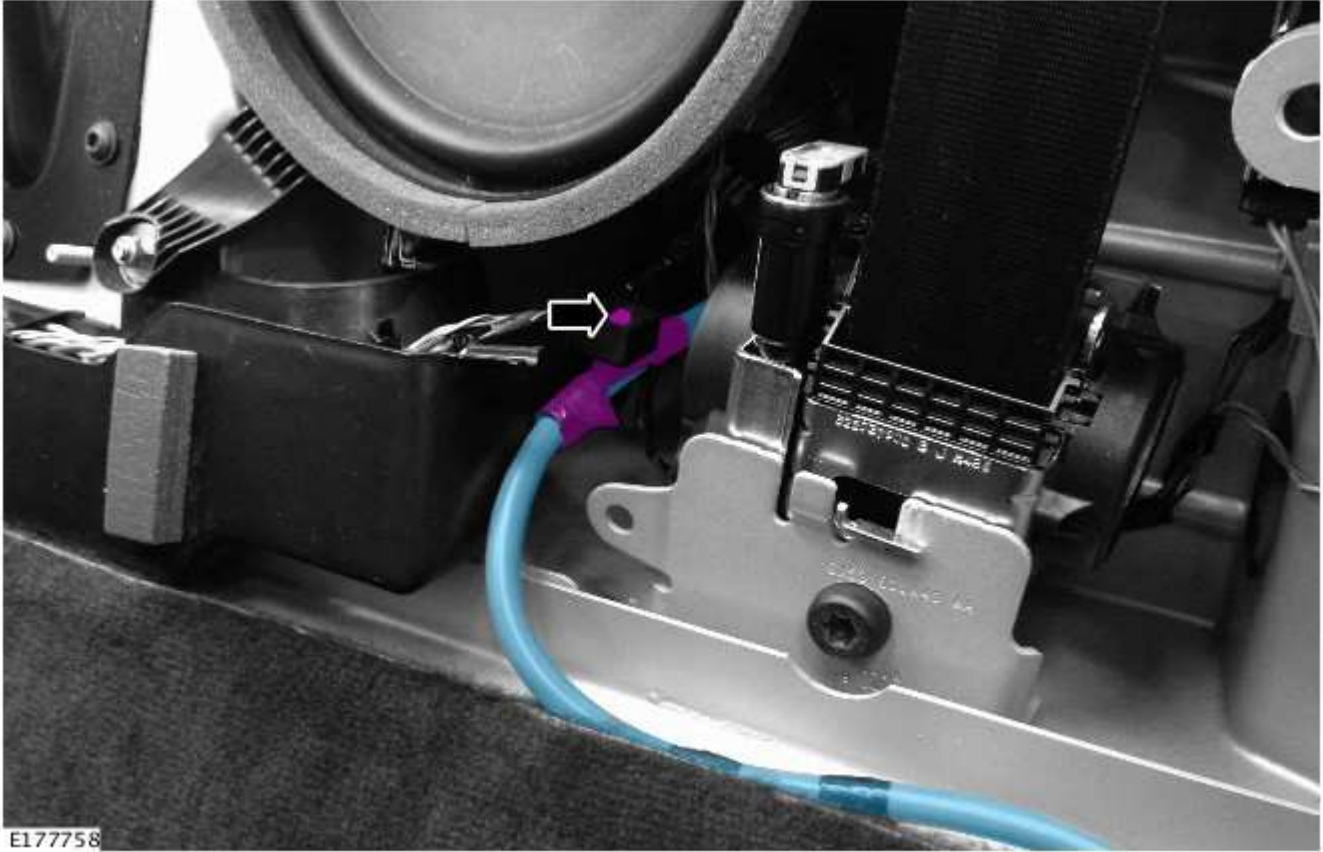
Install the rubber insulator on the subwoofer speaker.



7 Install the foam pads on the electrical wiring harness conduit.



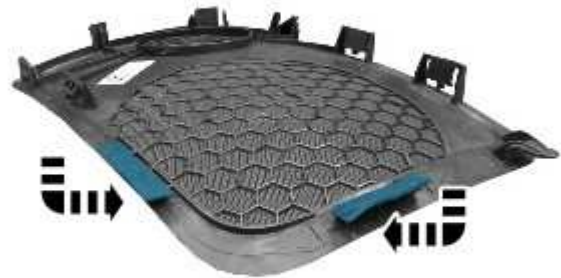
8 Make sure the electrical wiring is routed and retained correctly.



E177758

9  **NOTE: It is important that the felt pads wrap around the retaining lugs so they are insulated on both sides.**

Before installing the covers to the subwoofer speakers make sure the retaining lugs are covered with the felt pads.



E177755

10 To install, reverse the removal procedure.