

FOLDING TOP

FOLDING TOP SWITCH (G1585148)

REMOVAL AND INSTALLATION

86.65.90

CONVERTIBLE TOP
CONTROL SWITCH
- RENEW

AUTOMATIC
TRANSMISSION

0.40

USED WITHINS

REMOVAL

NOTE:

Removal steps in this procedure may contain installation details.

1.

NOTE:

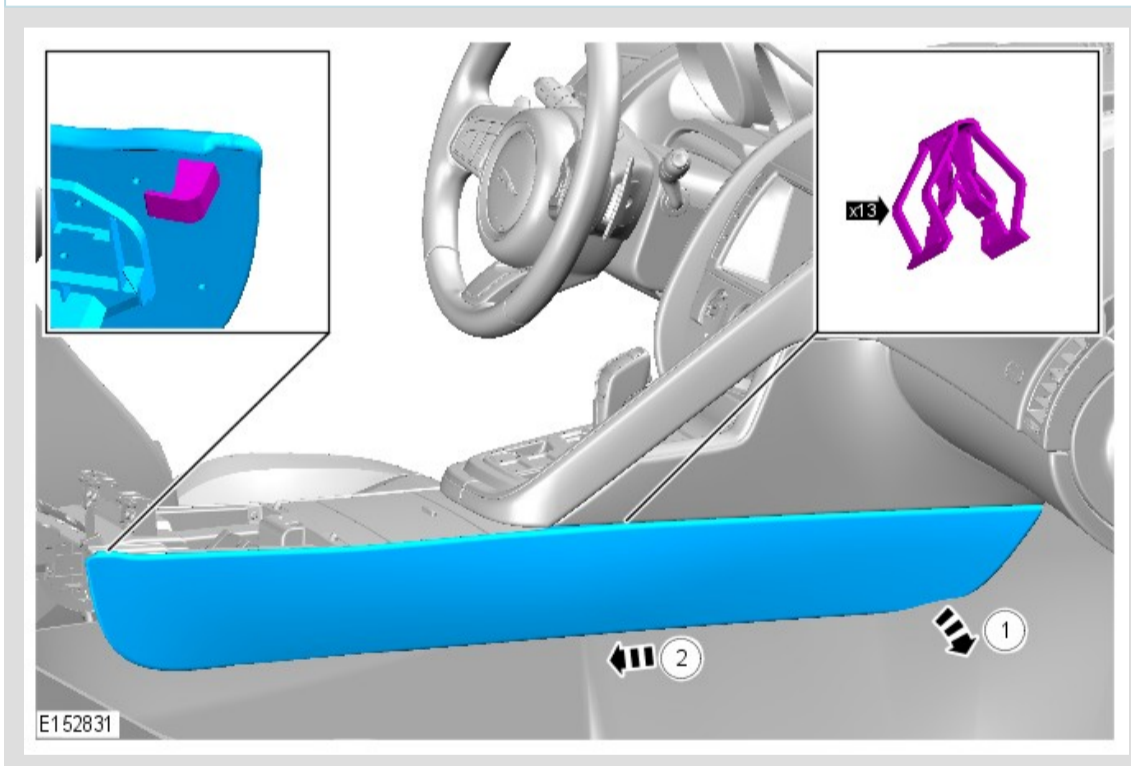
Repeat the procedure for the other side.

Refer to: Front Row Seat - Vehicles With: Performance Seats (501-10, Removal and Installation).

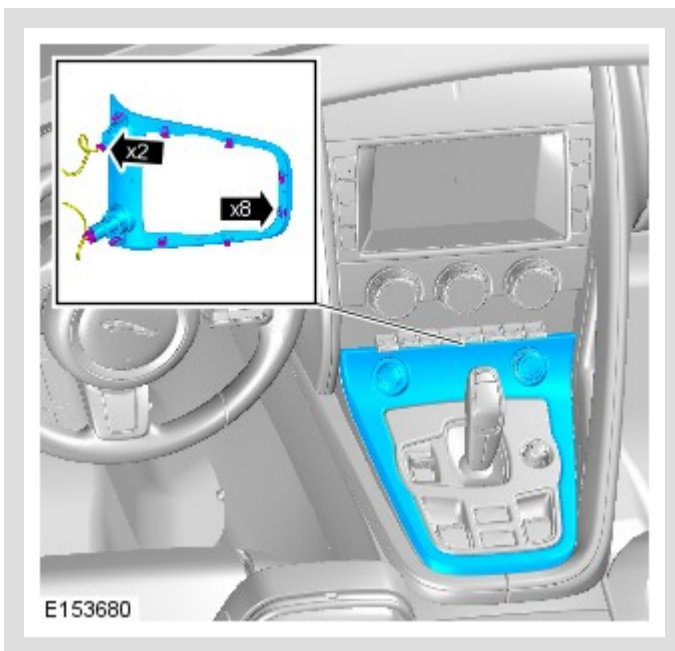
2.

NOTE:

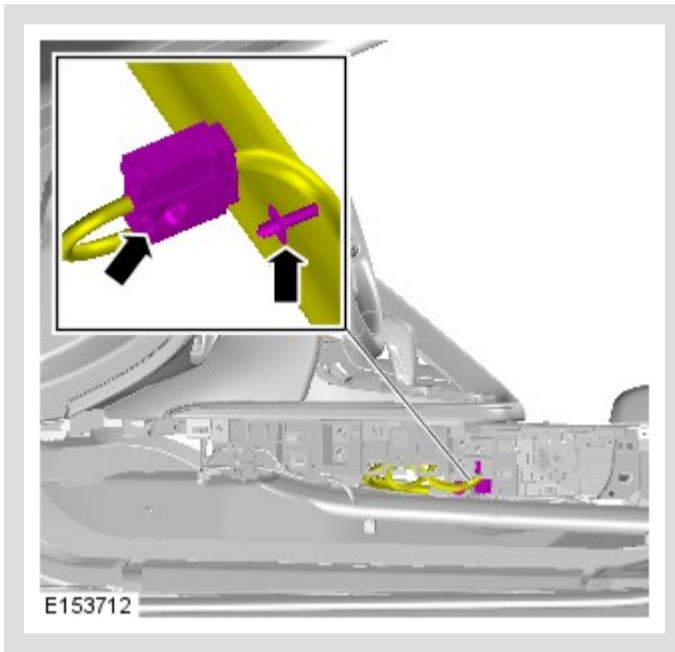
Repeat the procedure for the other side.



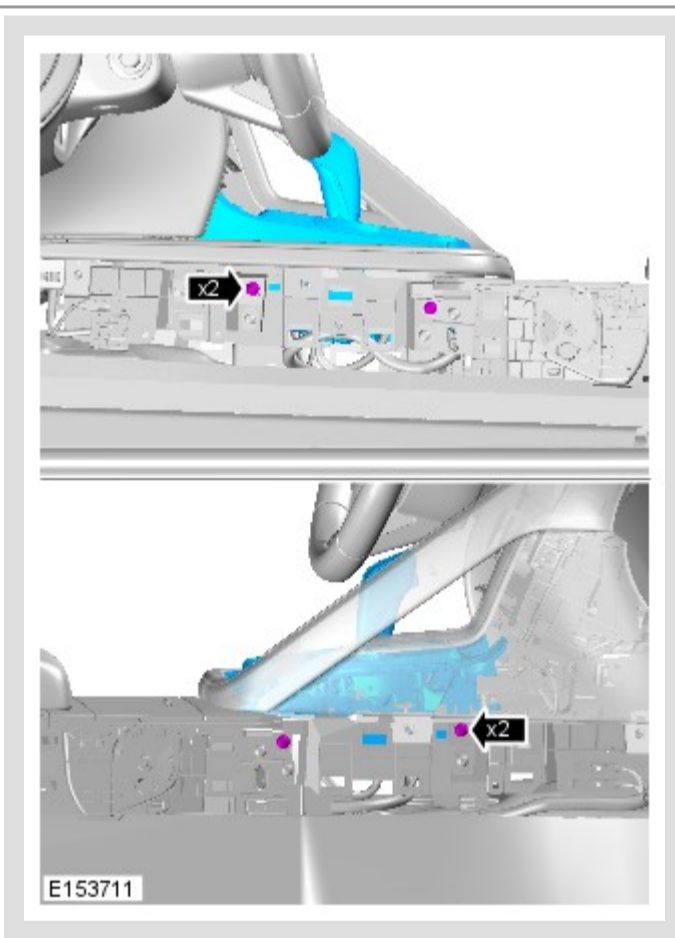
3.



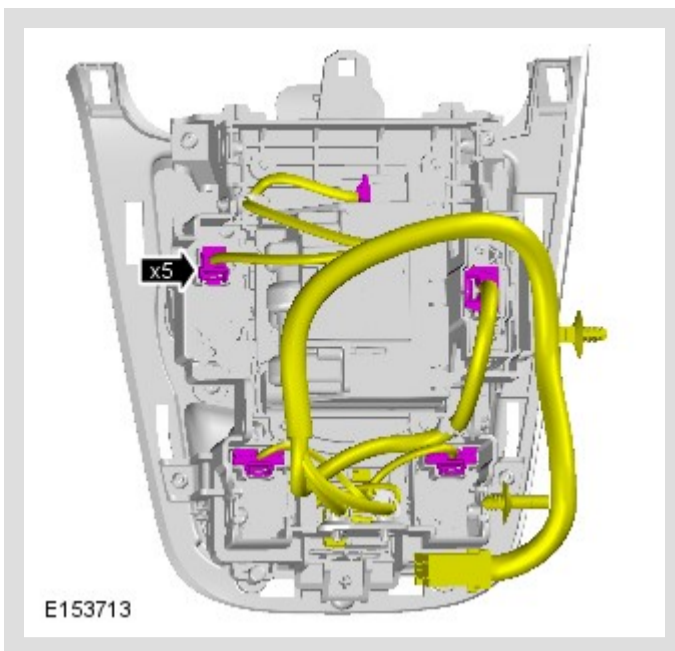
4.



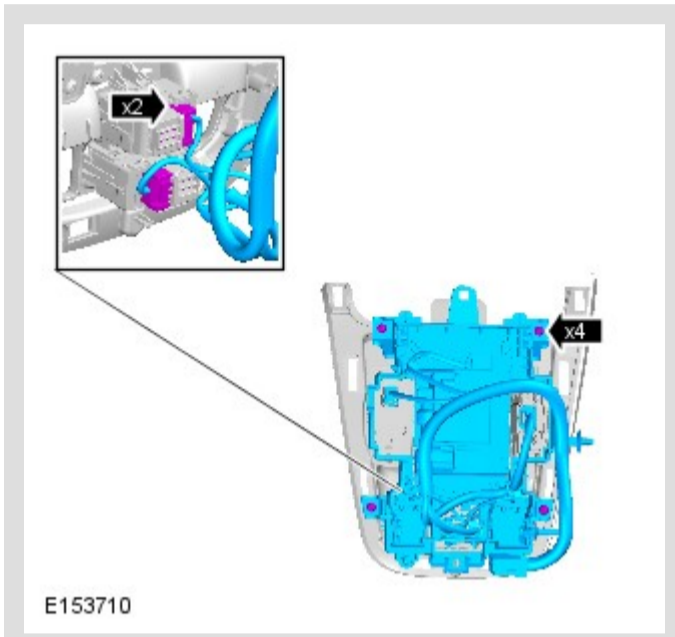
5.



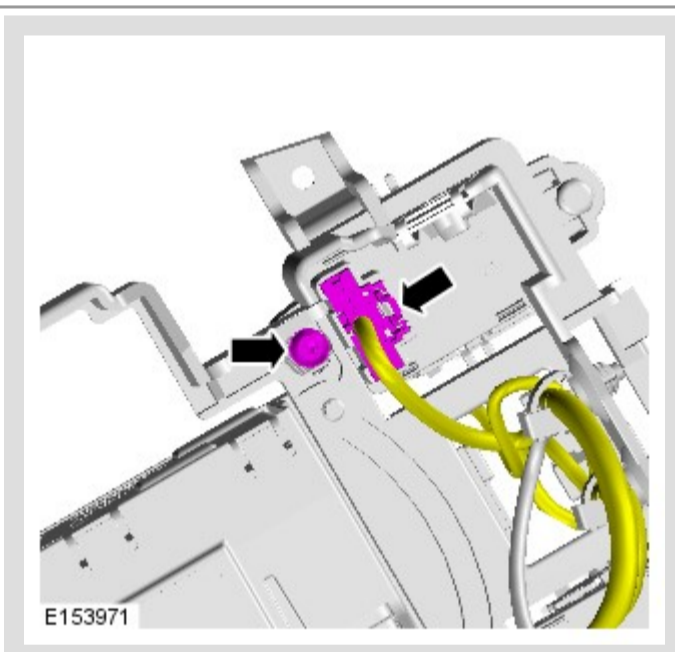
6.



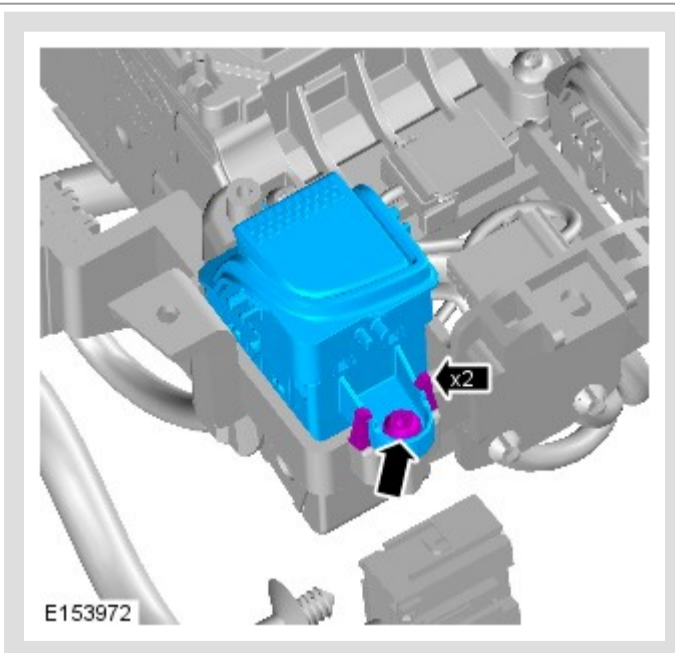
7.



8.



9.



1. To install, reverse the removal procedure.