

EXTERIOR TRIM AND ORNAMENTATION

**ROCKER PANEL MOULDING** (G1584132)

REMOVAL AND INSTALLATION

REMOVAL

 **NOTE:**

Removal steps in this procedure may contain installation details.

1.

 **WARNING:**

Do not work on or under a vehicle supported only by a jack. Always support the vehicle on safety stands.

Raise and support the vehicle.

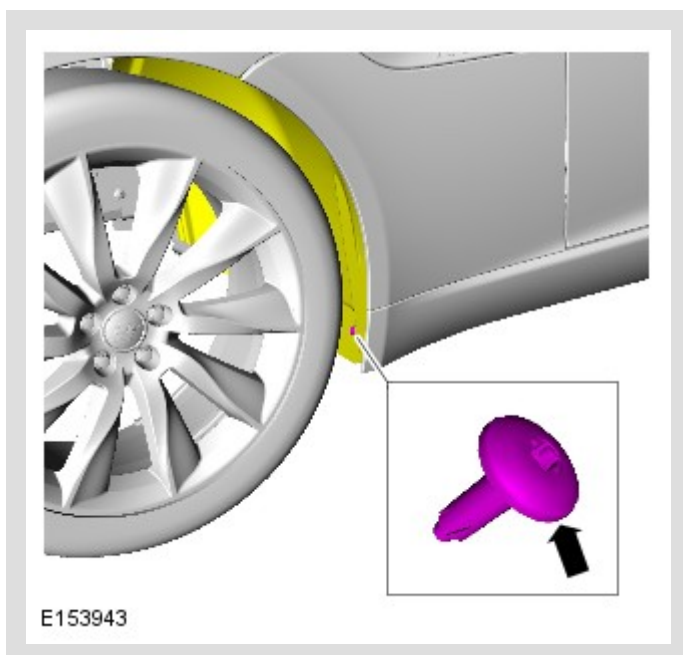
2.

Refer to: Scuff Plate Trim Panel (501-05, Removal and Installation).

3.

**⚠ CAUTION:**

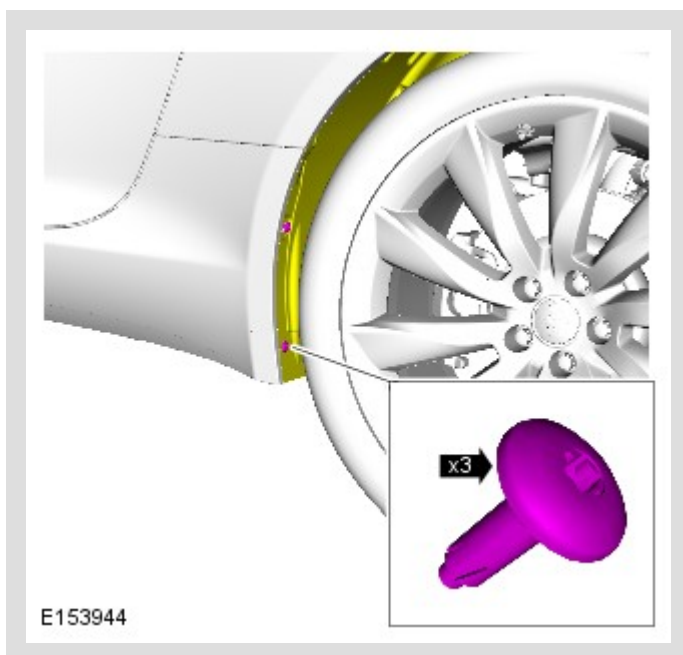
Do not use excessive force to install the component.



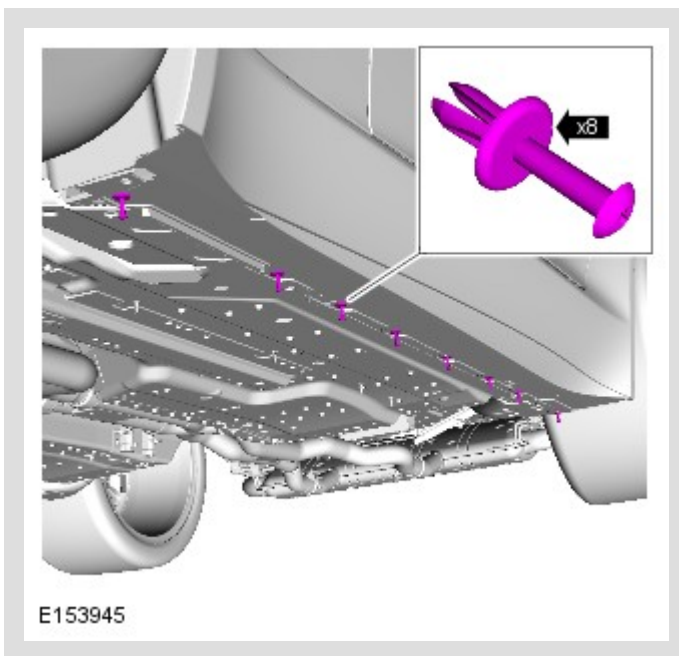
4.

**⚠ CAUTION:**


Do not use excessive force to install the component.



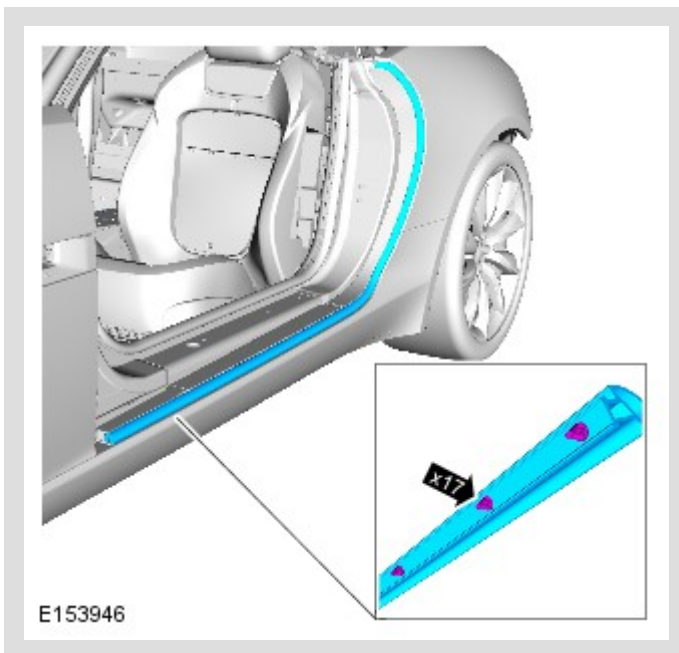
5.



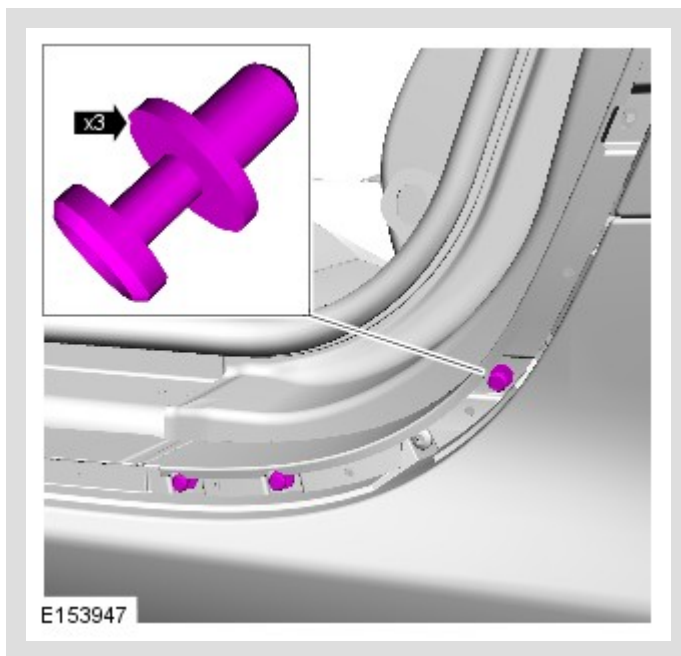
6.

 **CAUTION:**

Make sure to protect the paintwork



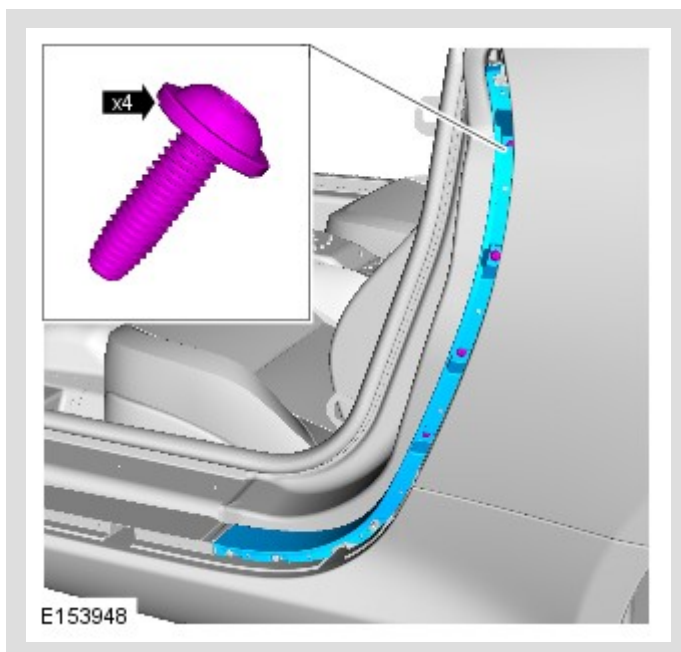
7.



8.

⚠ CAUTION:

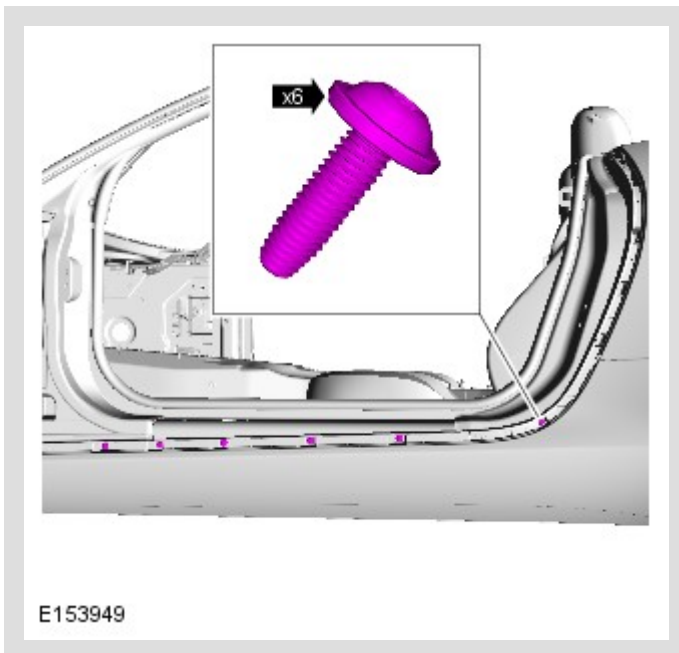
Do not use excessive force to install the component.



9.

**⚠ CAUTION:**

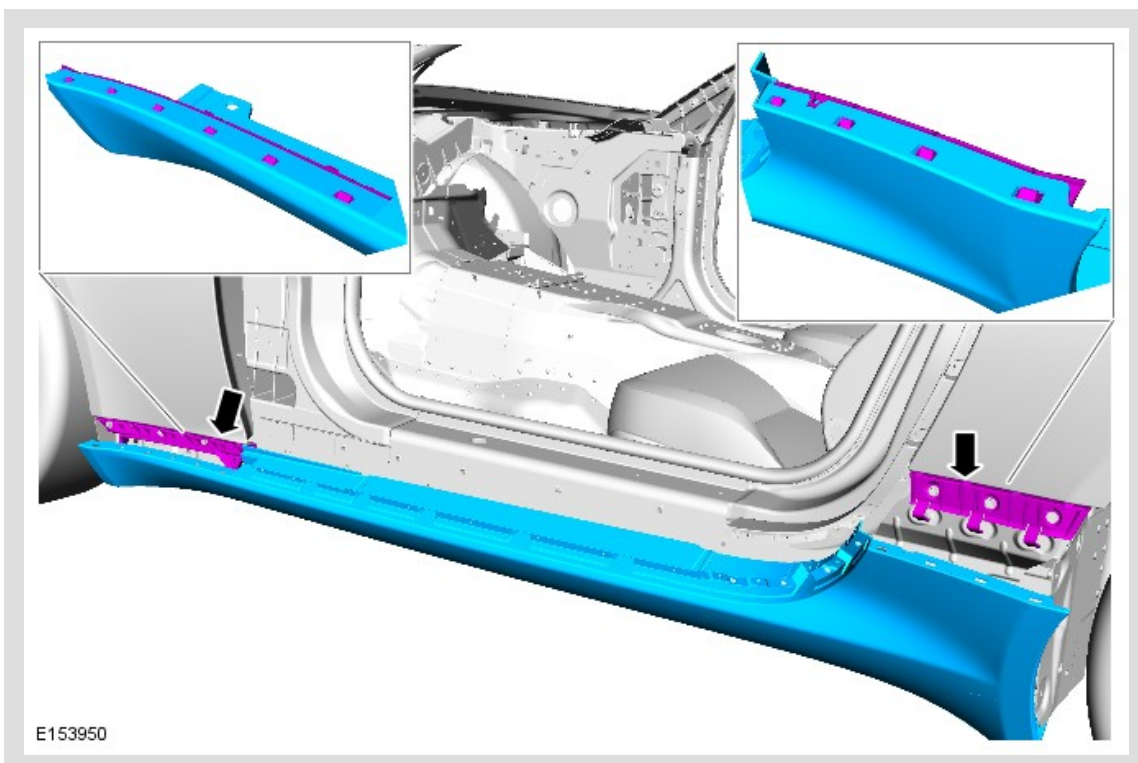
Do not use excessive force to install the component.



10.

**⚠ CAUTION:**

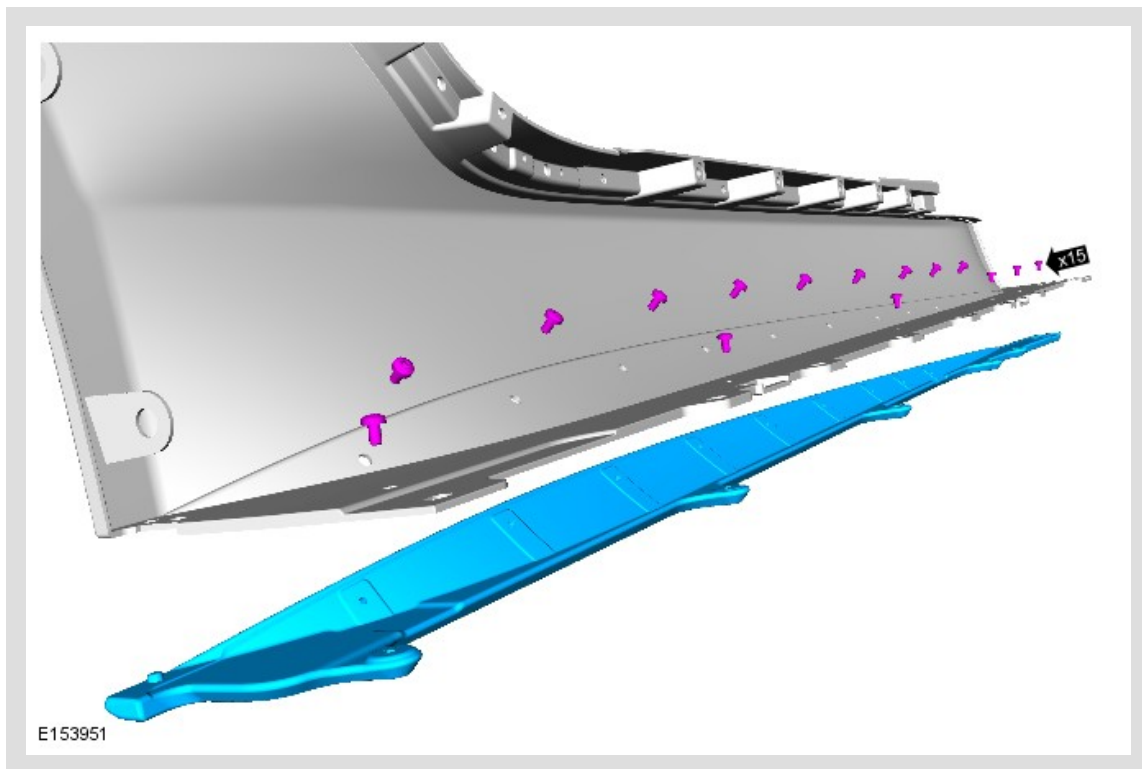
Make sure to protect the paintwork



11.

⚠ CAUTION:

Do not use excessive force to install the component.



INSTALLATION

1. To install, reverse the removal procedure.