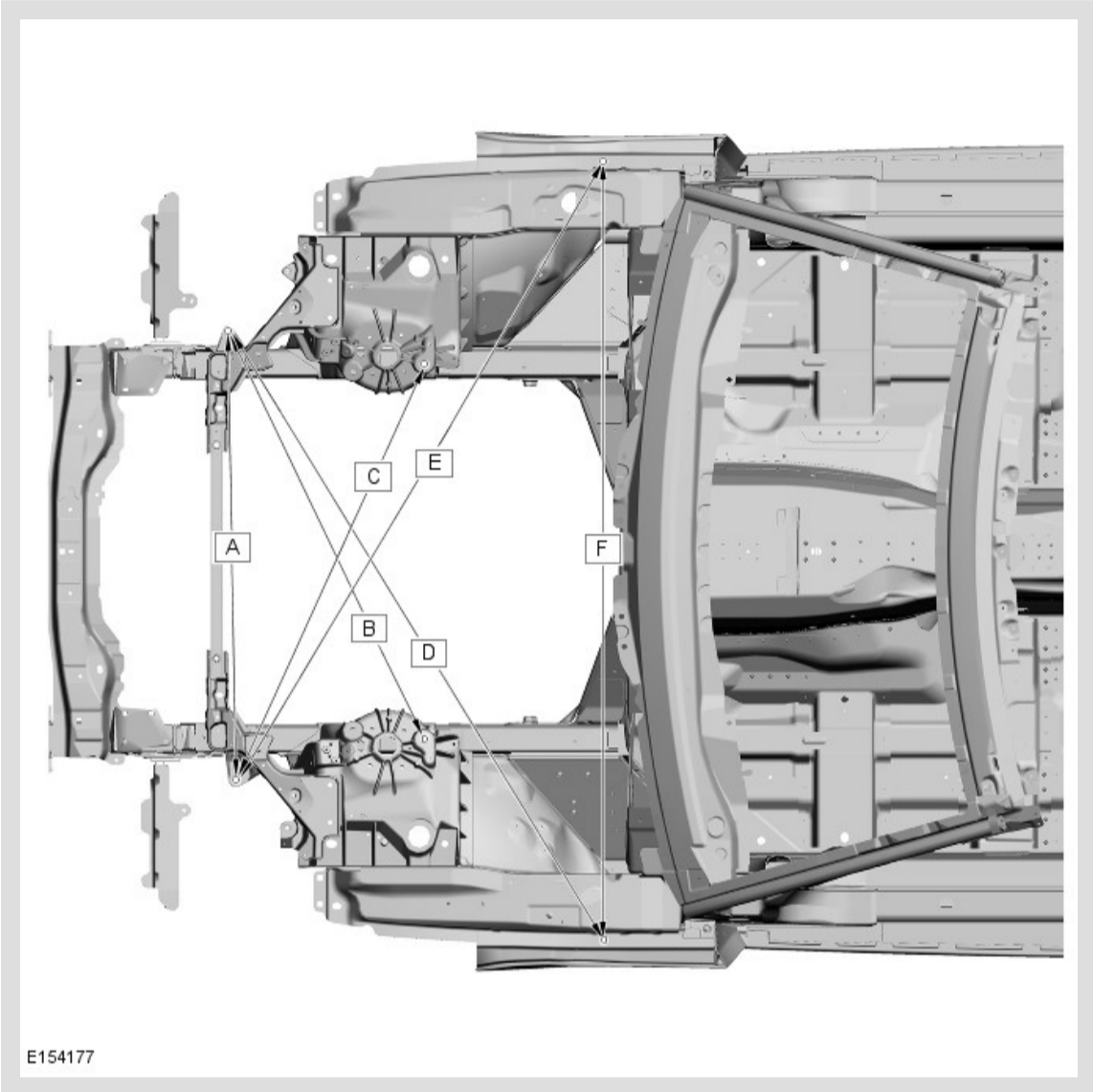


BODY REPAIRS - VEHICLE SPECIFIC INFORMATION AND TOLERANCE CHECKS

BODY AND FRAME (G1700100)

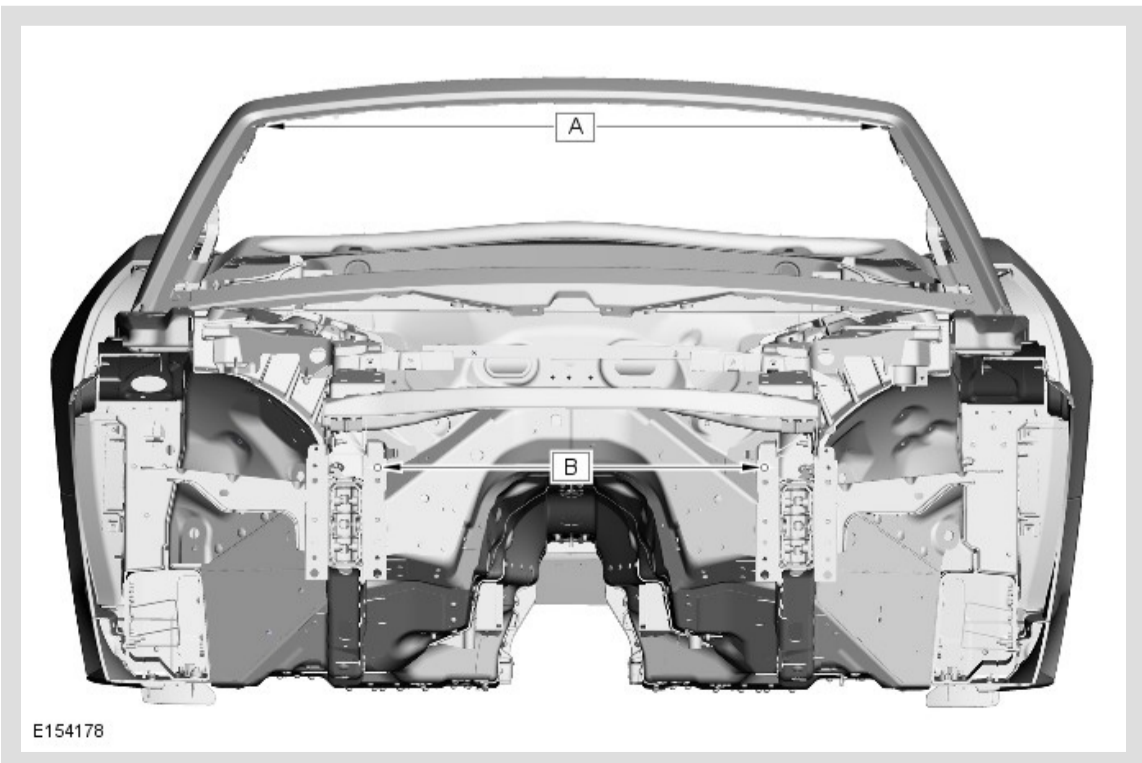
DESCRIPTION AND OPERATION

Front end dimensions



E154177

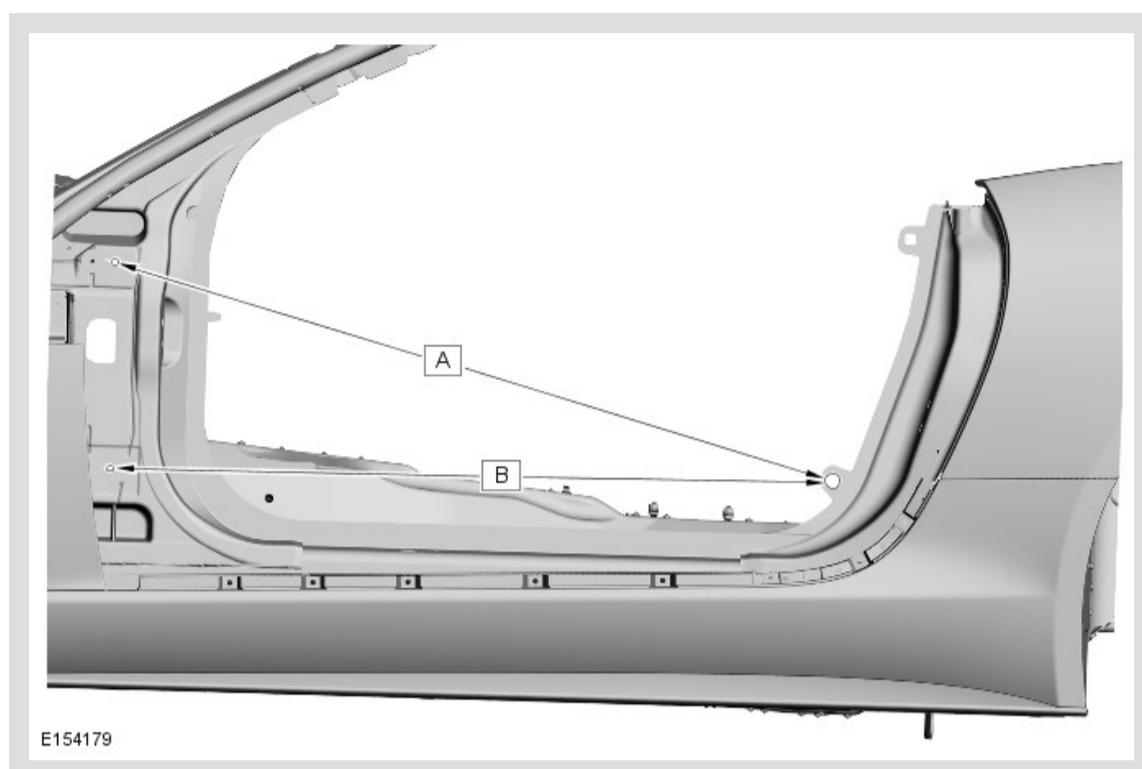
ITEM	FROM	TO	DIMENSION
A	PAS reservoir bracket fixing hole	Fuse box bracket fixing hole	993.90
B	Fuse box bracket fixing hole	Left support brace fixing hole	1008.53
C	PAS reservoir bracket fixing hole	Right support brace fixing hole	1019.52
D	Fuse box bracket fixing hole	Left fender fixing hole	1581.72
E	PAS reservoir bracket fixing hole	Right fender fixing hole	1586.42
F	Left fender fixing hole	Right fender fixing hole	1718.62



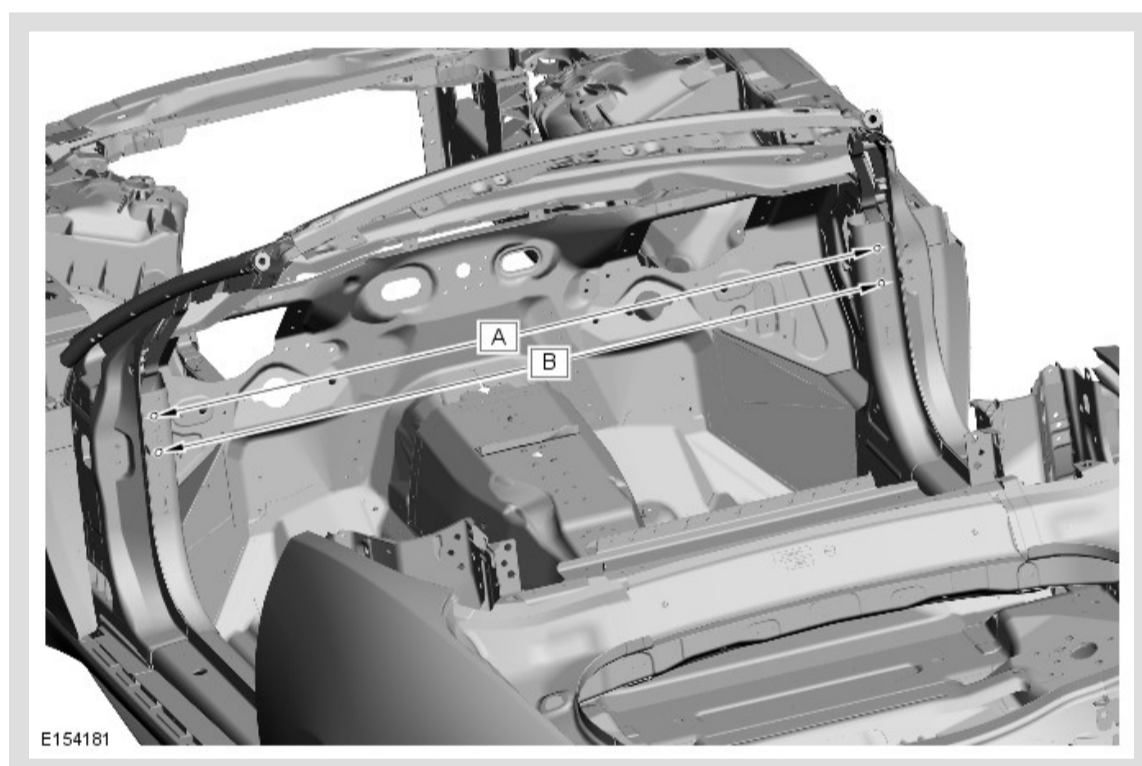
E154178

ITEM	FROM	TO	DIMENSION
A	Left windshield aperture tooling hole	Right windshield aperture tooling hole	1139.15
B	Front left bumper armature upper fixing hole	Front right bumper armature upper fixing hole	715.70

Body side dimensions



ITEM	FROM	TO	DIMENSION
A	Top door hinge, rearward fixing hole	Tooling hole	1100.59
B	Bottom door hinge, rearward fixing hole	Tooling hole	1062.74

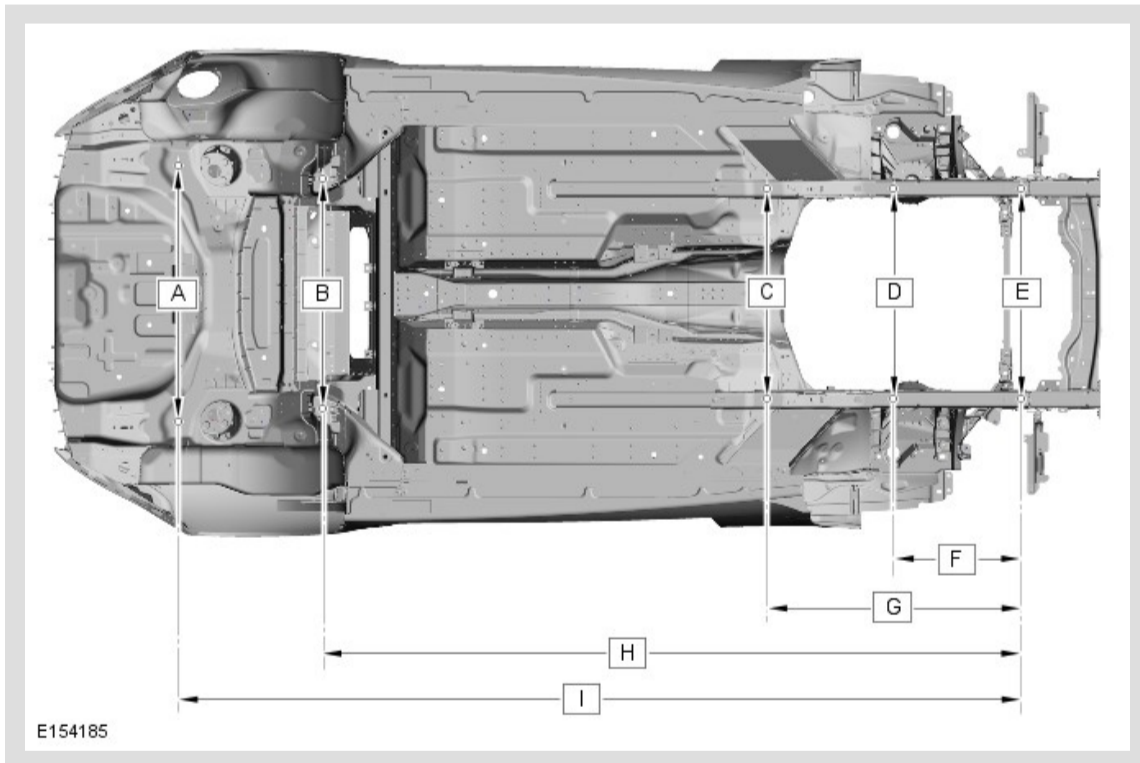


ITEM	FROM	TO	DIMENSION
A	Instrument panel carrier top left fixing hole	Instrument panel carrier top right fixing hole	1139.15
B	Instrument panel carrier bottom left fixing hole	Instrument panel carrier bottom right fixing hole	715.70



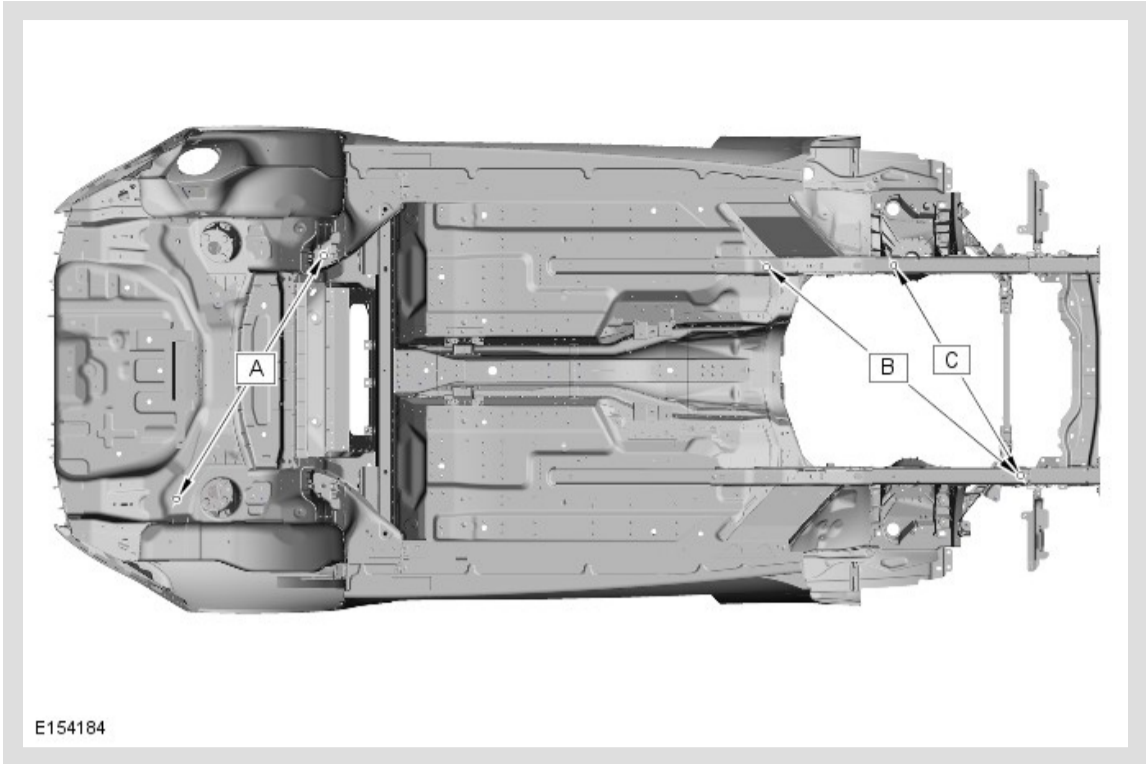
ITEM	FROM	TO	DIMENSION
A	Left seatbelt guide fixing hole	Right seatbelt guide fixing hole	1010.04

Underbody dimensions



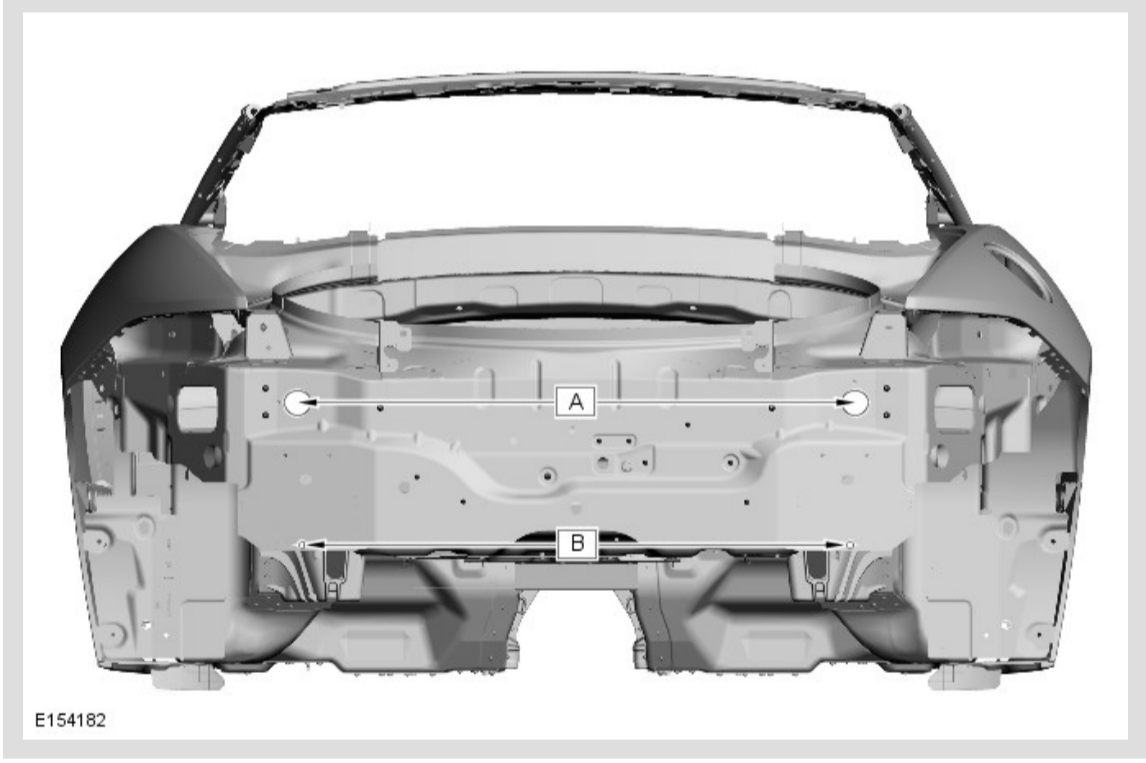
ITEM	FROM	TO	DIMENSION
A	Rear left sub-frame rear fixing hole	Rear right sub-frame rear fixing hole	1015.26
B	Rear left sub-frame front fixing hole	Rear right sub-frame front fixing hole	908.92
C	Left underbody brace fixing hole	Right underbody brace fixing hole	829.50
D	Front left sub-frame rear fixing hole	Front right sub-frame rear fixing hole	832.50
E	Front left sub-frame front fixing hole	Front right sub-frame front fixing hole	839.00
F	Front left sub-frame front fixing hole	Front left sub-frame rear fixing hole	516.76
G	Front left sub-frame front fixing hole	Left underbody brace fixing hole	1013.16
H	Front left sub-frame front fixing hole	Rear left sub-frame front fixing hole	2768.85

I	Front left sub-frame front fixing hole	Rear left sub-frame rear fixing hole	3344.57
---	--	--------------------------------------	---------

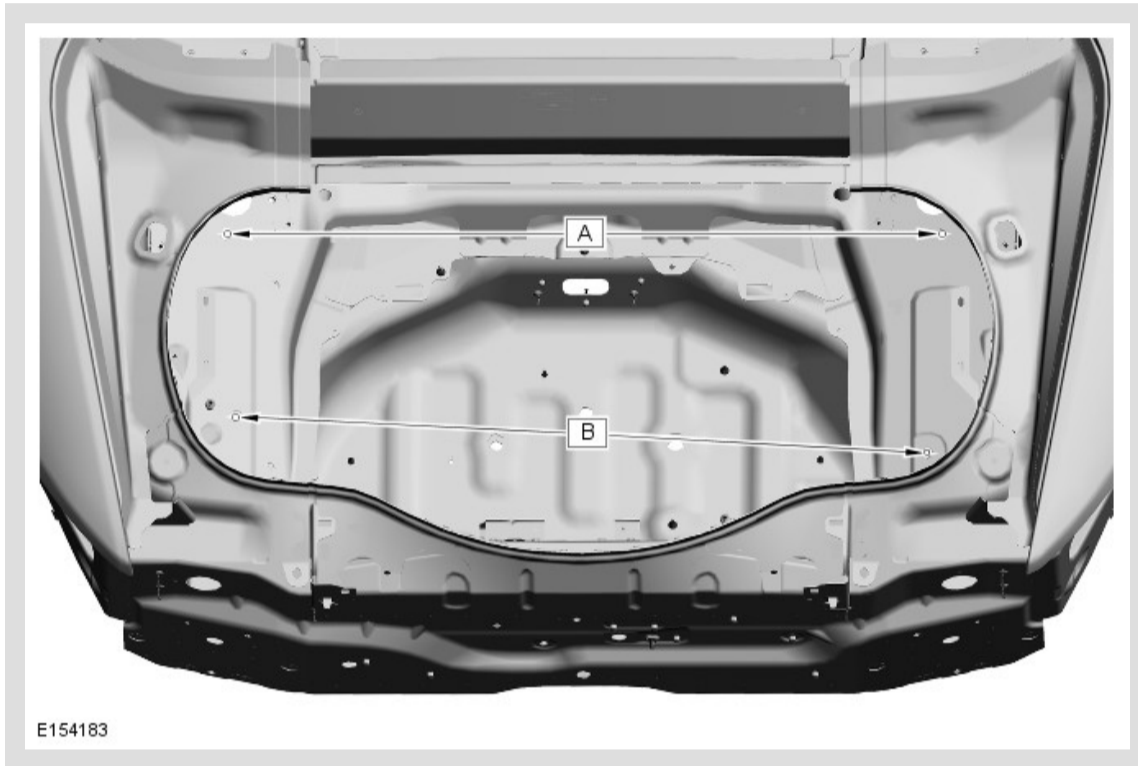


ITEM	FROM	TO	DIMENSION
A	Rear left sub-frame rear fixing hole	Rear right sub-frame front fixing hole	1137.35
B	Front left sub-frame front fixing hole	Right underbody brace fixing hole	1329.19
C	Front left sub-frame front fixing hole	Front right sub-frame rear fixing hole	982.61

Rear end body dimensions

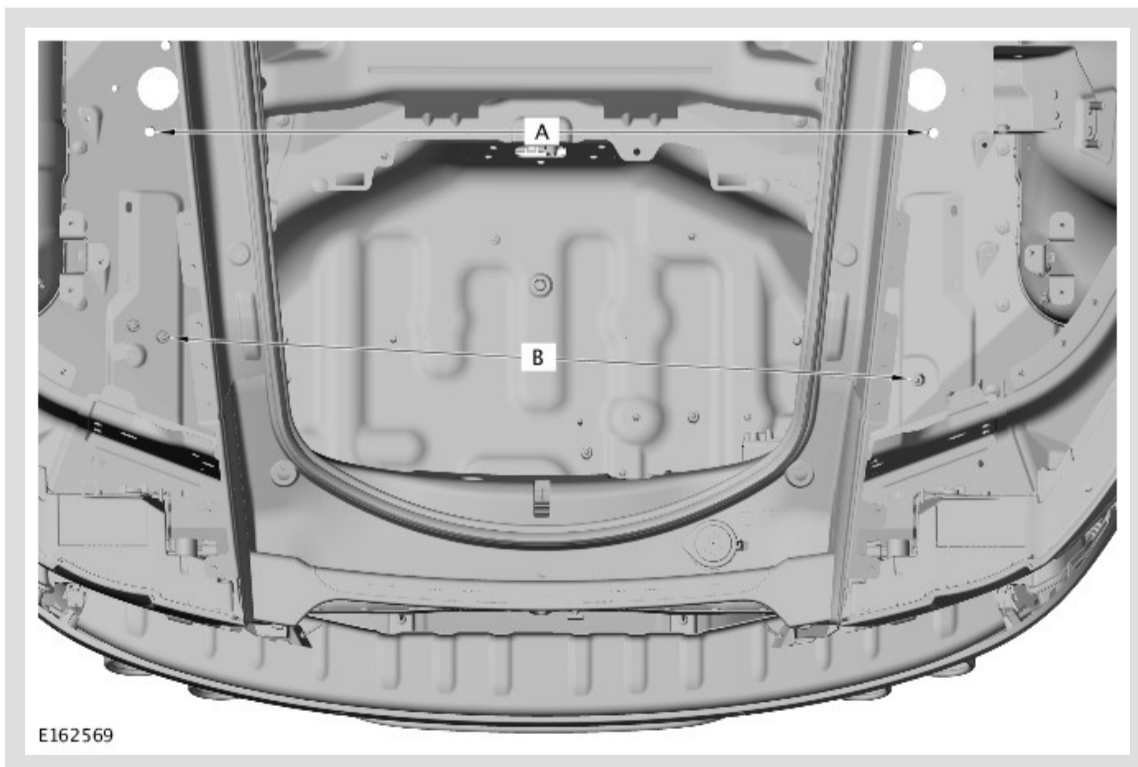


ITEM	FROM	TO	DIMENSION
A	Rear left wiring harness fixing hole	Rear right wiring harness fixing hole	1037.56
B	Rear left bumper armature lower fixing hole	Rear right bumper armature lower fixing hole	1023.35



ITEM	FROM	TO	DIMENSION
A	Rear left shock absorber mounting, rear fixing	Rear right shock absorber mounting, rear fixing	982.04
B	Rear left earth stud	Rear right earth stud	943.68

Rear end body dimensions - Coupe



ITEM	FROM	TO	DIMENSION
A	Rear left shock absorber mounting, rear fixing	Rear right shock absorber mounting, rear fixing	982.04
B	Rear left earth stud	Rear right earth stud	943.68

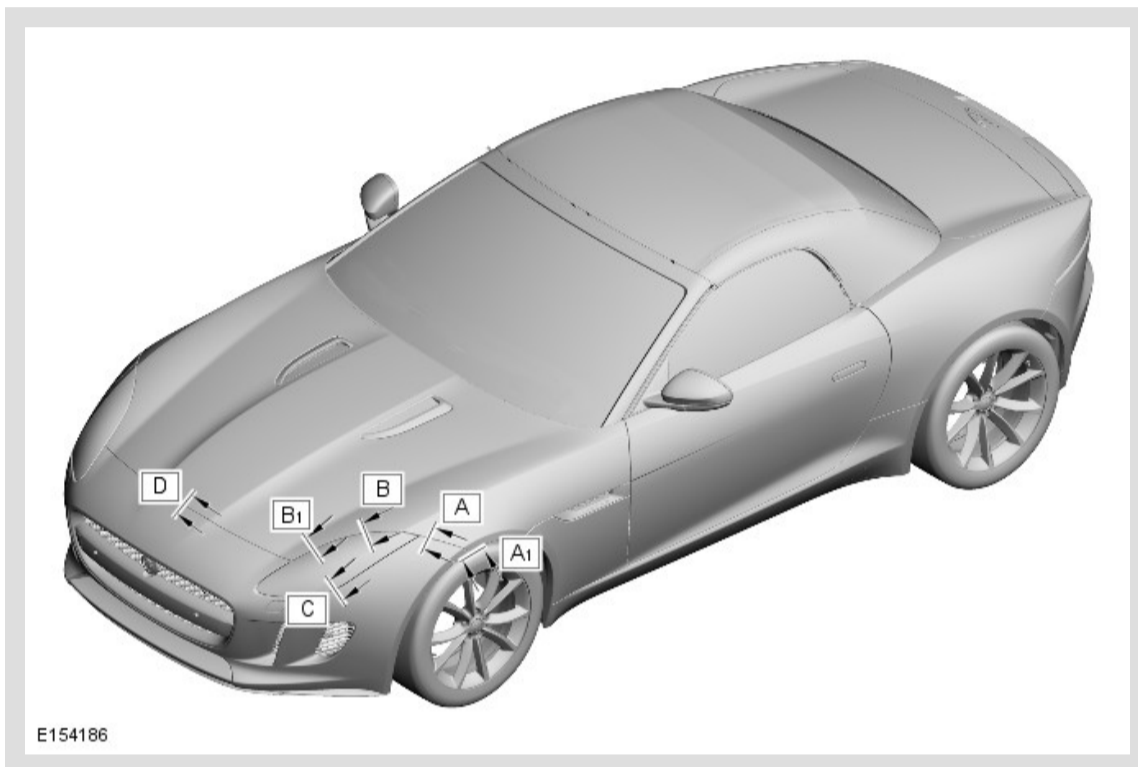
NOTES:

- The following information shows the total time taken to replace a vehicles body shell. The time has been calculated using a base model variant. For example a two wheel drive vehicle without a roof opening panel.
- The times include all mechanical, electrical and trim (MET) items but do not include wheel alignment or paint times.

VEHICLE VARIANT	TIME
F-Type folding top	68.3
F-Type coupe	73.2

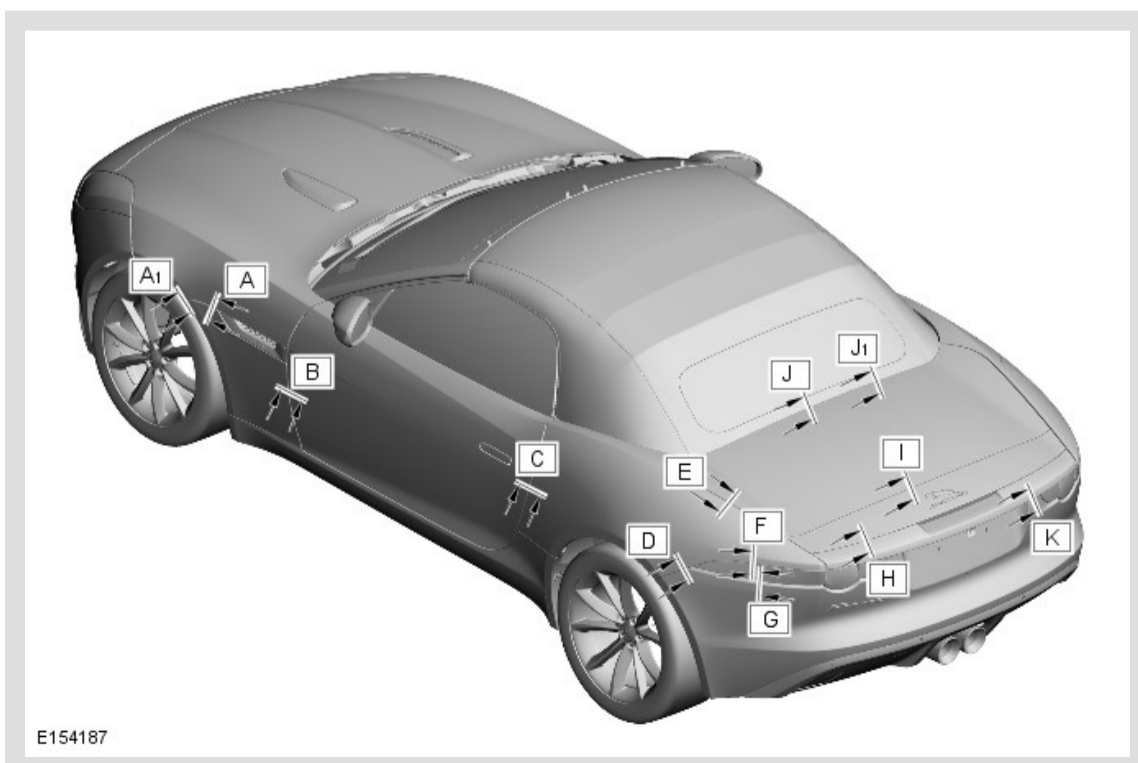
GAP AND PROFILE DIMENSIONS

Gap and profile information - Front end



DETAIL	GAP	PROFILE
'A' - Hood to front bumper	3.0 ±0.9	0 +0.5 -2.5
'A1' - Hood to front bumper	3.0 ±1.1	0.0 ±1.6
'B' - Hood to headlamp	3.0 ±1.1	0 ±1.6
'B1' - Hood to fender	3.0 ±0.8	0 ±1.6
'C' - Headlamp to front bumper	1.0 ±0.7	0 ±1.5
'D' - Hood to front bumper	3.0 ±1.0	-1.0 ±1.5

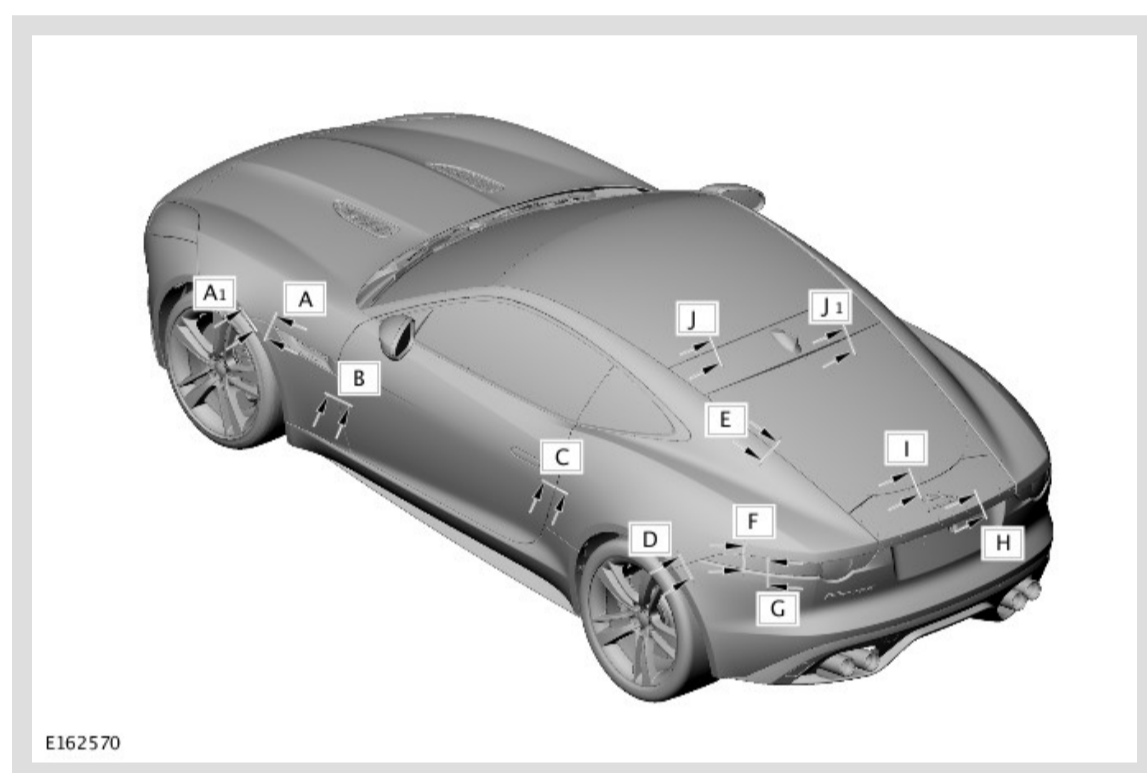
Gap and profile information - Side and rear end



DETAIL	GAP	PROFILE
'A' - Hood to fender	4.0 ±1.1	0

'A1' - Hood to fender	4.0 ±1.5	0.5 ±1.0
'B' - Door to fender	3.5 +1 -0.5	-1 ±1
'C' - Door to rear quarter	3.5 ±1.0	0±1.0
'D' - Rear quarter to rear bumper	0 ±0.7	0 ±0.6
'E' - Luggage compartment lid to rear quarter	3.5 ±1.1	-1 ±1.1
'F' - Rear lamp to rear quarter	1 ±0.6	-3.5 ±1.5
'G' - Rear lamp to rear bumper	1.25 ±1.25	-5.7 ±1.3
'H' - Deployable spoiler to luggage compartment lid	2.5 ±0.5	0 +0.25 -0.75
'I' - Deployable spoiler to luggage compartment lid	2.5 ±0.5	0 +0.25 -0.75
'J' - Folding top to folding top seal (folding top closed)	0	N/A
'J1' - Folding top to folding top seal (folding top open - not illustrated)	8 ±5.3	-5 ±1.9
'K' - Luggage compartment lid to rear bumper	6 ±2	N/A

Gap and profile information - Side and rear end - Coupe



DETAIL	GAP	PROFILE
'A' - Hood to fender	4.0 ±1.1	0
'A1' - Hood to fender	4.0 ±1.5	0.5 ±1.0
'B' - Door to fender	3.5 +1 -0.5	-1 ±1
'C' - Door to rear quarter panel	3.5 ±1.1	0±1
'D' - Rear quarter to rear bumper	0 ±0.7	0 ±0.6
'E' - Luggage compartment lid to rear quarter	3.5 ±1.0	-3.7 ±1.2
'F' - Rear lamp to rear quarter panel	1 ±0.9	-3.5 ±1.4
'G' - Rear lamp to rear bumper	1.25 ±1.25	-5.7 ±1.3
'H' -Luggage compartment lid to rear bumper	6 ± 2	N/A
'I' - Deployable spoiler to luggage compartment lid	3 ±0.9	2 + 0.7
'J' -Cladding to roof panel	5 + 1.7 / -0.7	-1 ± 1.4
'J1' - Cladding to luggage compartment lid	0 ± 1	N/A