

SEATING

FRONT ROW SEAT BACKREST COVER - VEHICLES WITH: SPORTS SEATS [G1707575]

REMOVAL AND INSTALLATION

76.70.15.82	ELECTRICALLY OPERATED FRONT SEAT BACKREST COVER - RENEW - WITH SPORTS SEATS FITTED	ALL DERIVATIVES	1.00	USED WITHINS	+
76.70.06	FRONT SEAT BACKREST - RENEW	ALL DERIVATIVES	0.60	USED WITHINS	+
76.70.06.82	FRONT SEAT BACKREST - RENEW - WITH SPORTS SEATS FITTED	ALL DERIVATIVES	0.60	USED WITHINS	+
76.70.15	ELECTRICALLY OPERATED FRONT SEAT BACKREST COVER - RENEW	ALL DERIVATIVES	0.80	USED WITHINS	+

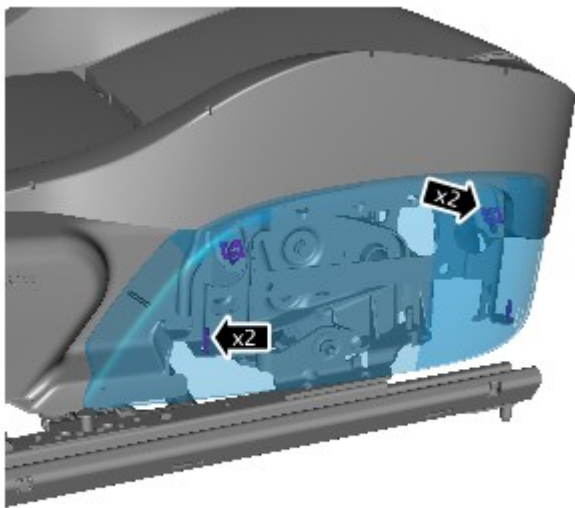
REMOVAL

NOTES:

- Some variation in the illustrations may occur, but the essential information is always correct.
- Removal steps in this procedure may contain installation details.
- RH illustration shown, LH is similar.

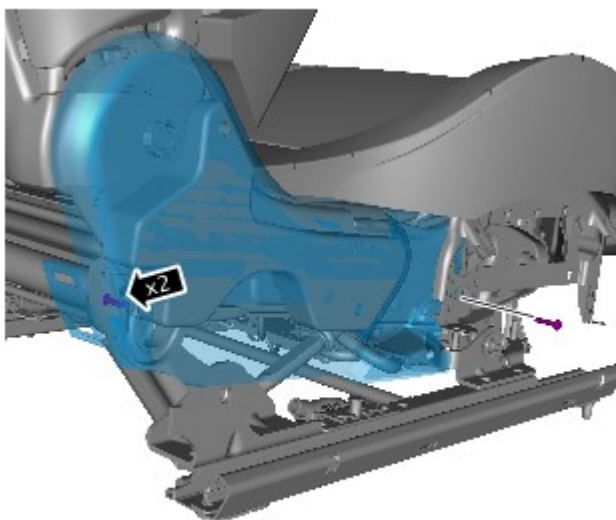
-
1. Refer to: [Front Row Seat - Convertible, Vehicles With: Sports Seats](#) (501-10 Seating, Removal and Installation).
Refer to: [Front Row Seat - Coupe, Vehicles With: Sports Seats](#) (501-10 Seating, Removal and Installation).

2.



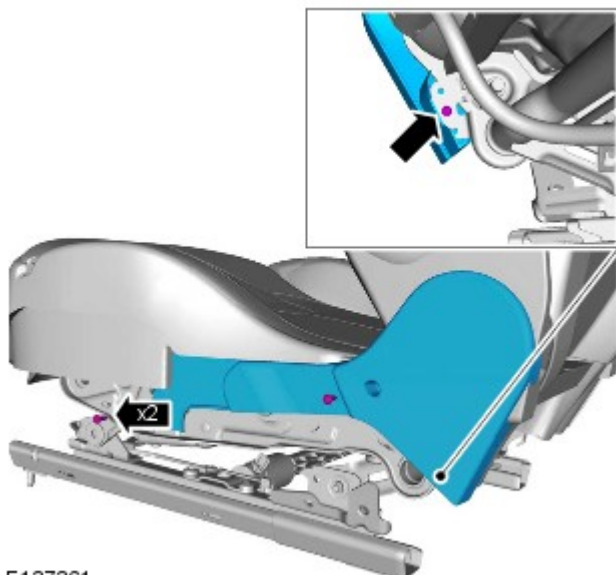
E162419

3.



E162420

4.



E137361

5.

CAUTION:

Take extra care not to damage the component.

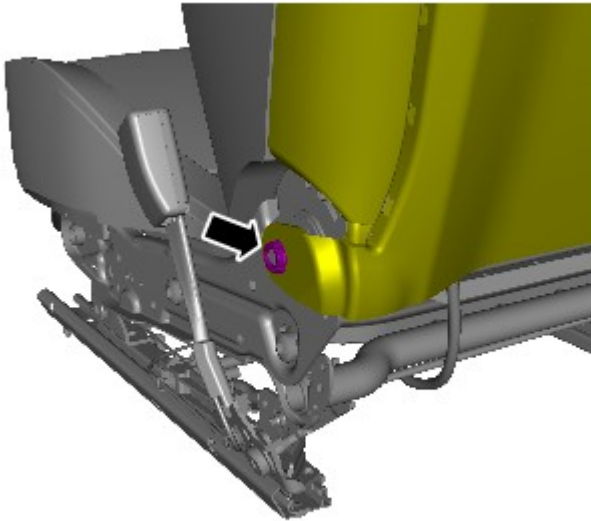


E162421

6.

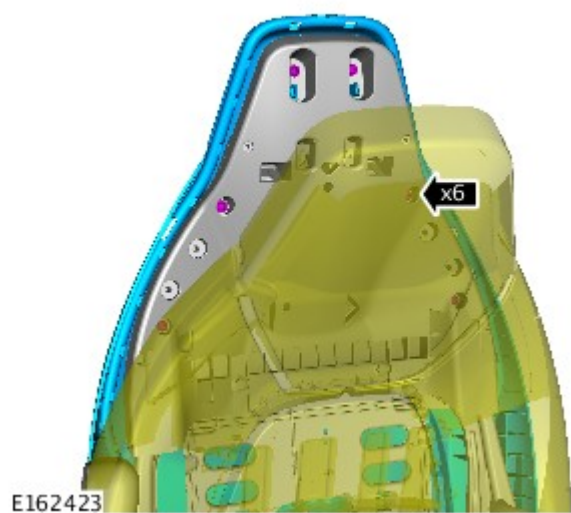
NOTE:

Repeat the procedure for the other side.



E162422

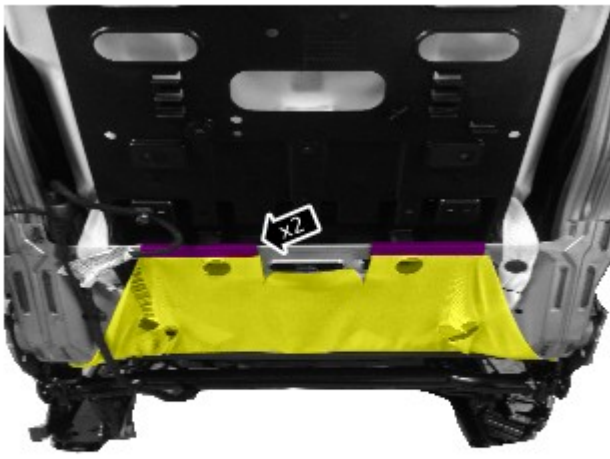
7.



8.



9.



E162425

10.



E162426

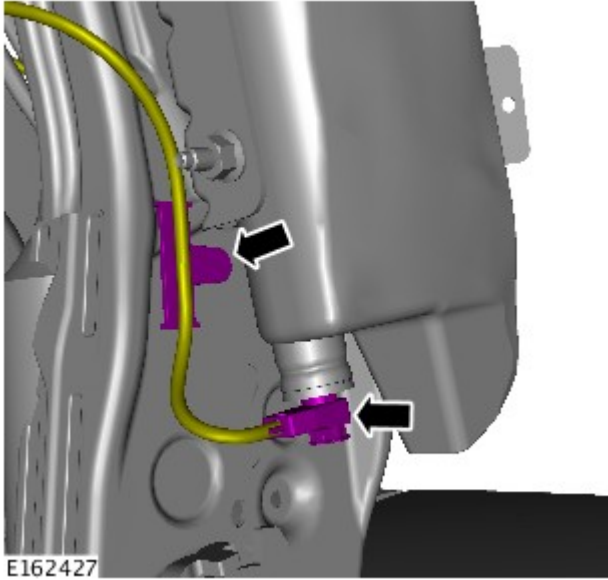
11.

WARNINGS:

- Do not probe Supplementary Restraint System (SRS) electrical connectors.
- The SRS electrical connectors are unique. DO NOT force, or attempt to connect electrical connectors to the wrong sockets.

NOTE:

RH illustration shown, LH is similar.

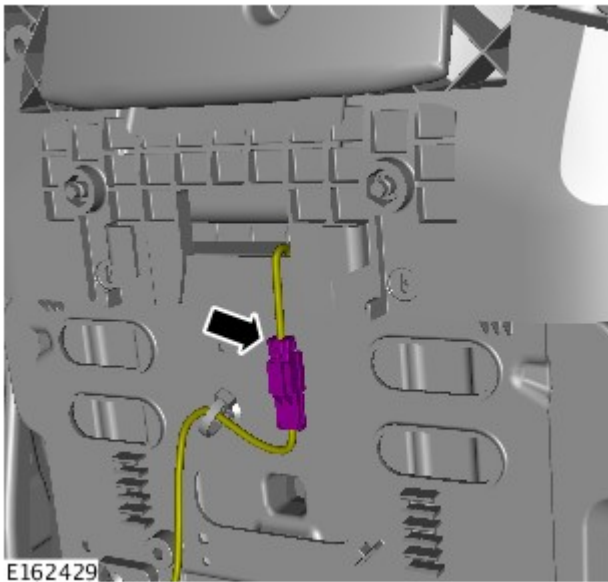


12.



Torque: **7Nm**

13.



E162429

14.



E162430

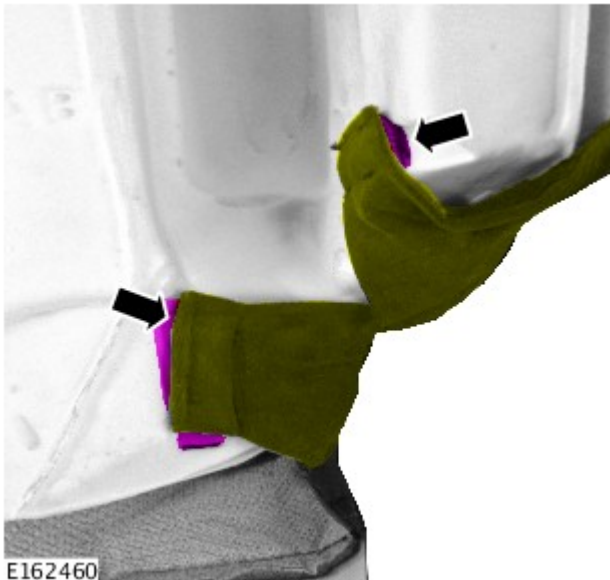
15.



16.

NOTE:

Repeat the procedure for the other side.

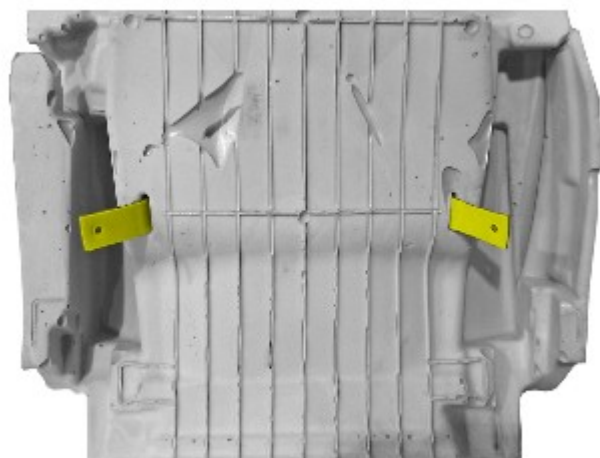


17.

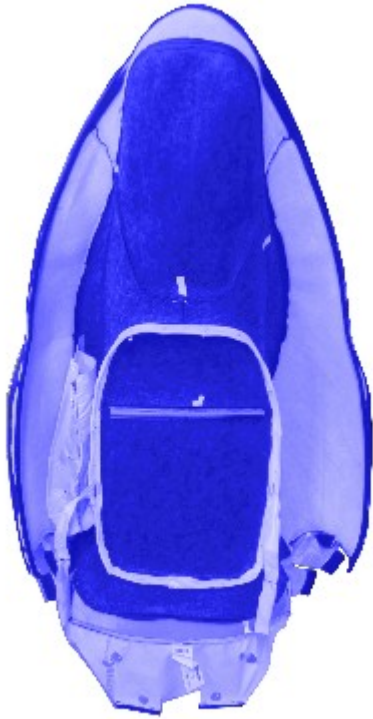


E162432

18.



E139656



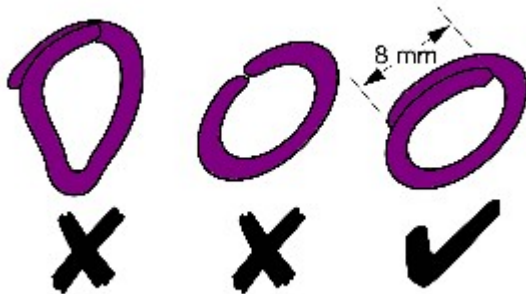
E162433

INSTALLATION

1.

NOTES:

- Make sure that new hog rings are installed.
- Use hog ring pliers to close the hog rings. Do not use any other tool. The hog rings must be closed to overlap as illustrated.

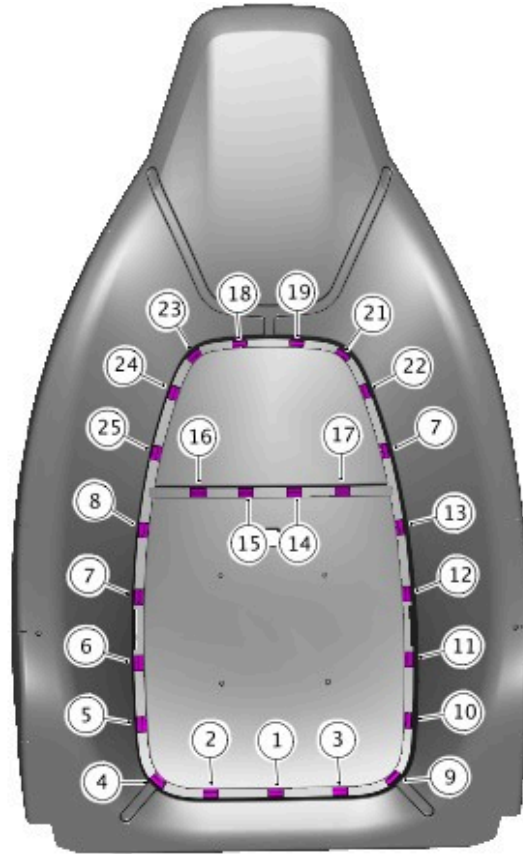


V4001063

2.

NOTE:

Make sure that the hogrings are installed in the sequence shown.



E162461

3. To install, reverse the removal procedure.

amFzb2tzaW87MjAyNjAwMS0yOVQxOToyMTo1NjMzFaOzE2NS4yMjUuMjUzLjUzO1NBskRENUVVN0IDSzU5MjQx