

SEATING

FRONT ROW SEAT CUSHION COVER - VEHICLES WITH: SPORTS SEATS [G1707578]

REMOVAL AND INSTALLATION

76.70.33	ELECTRICALLY OPERATED FRONT SEAT CUSHION COVER - RENEW	ALL DERIVATIVES	1.10	USED WITHINS	+
76.70.33.82	ELECTRICALLY OPERATED FRONT SEAT CUSHION COVER - RENEW - WITH SPORTS SEATS FITTED	ALL DERIVATIVES	0.70	USED WITHINS	+

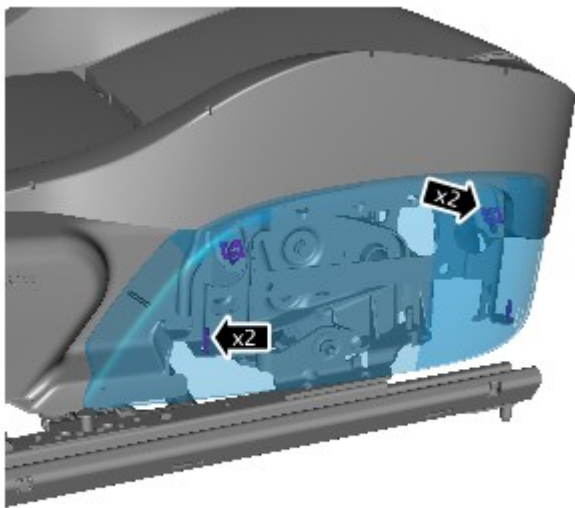
REMOVAL

NOTES:

- Some variation in the illustrations may occur, but the essential information is always correct.
- Removal steps in this procedure may contain installation details.
- RH illustration shown, LH is similar.

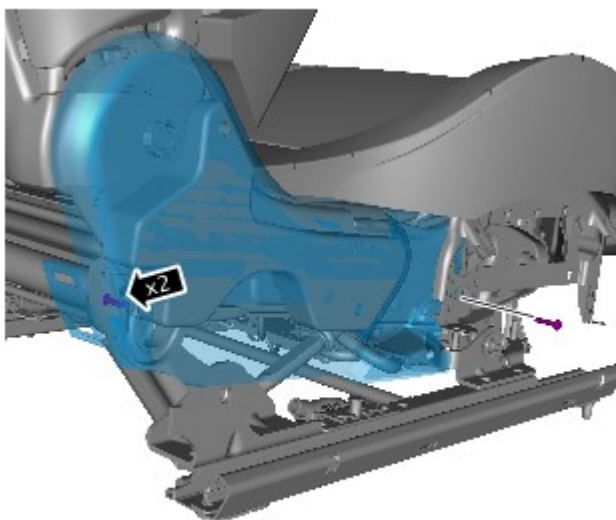
1. Refer to: [Front Row Seat - Convertible, Vehicles With: Sports Seats](#) (501-10 Seating, Removal and Installation).

2.



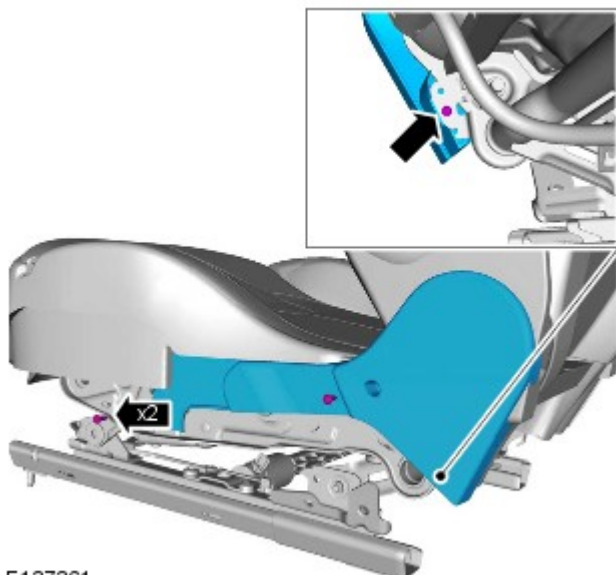
E162419

3.



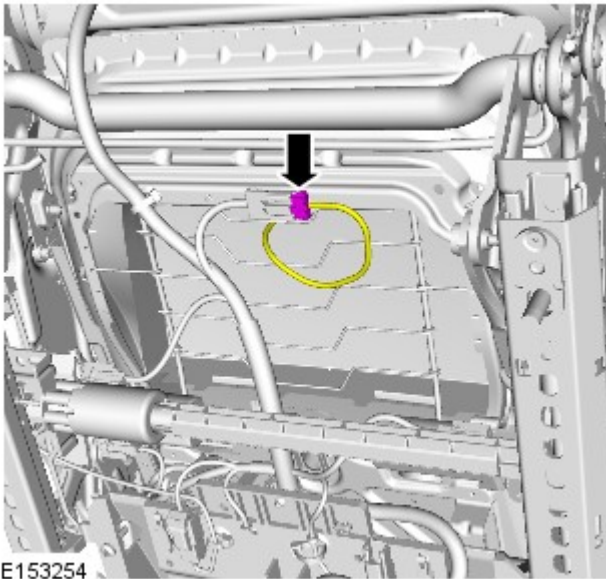
E162420

4.



E137361

5.



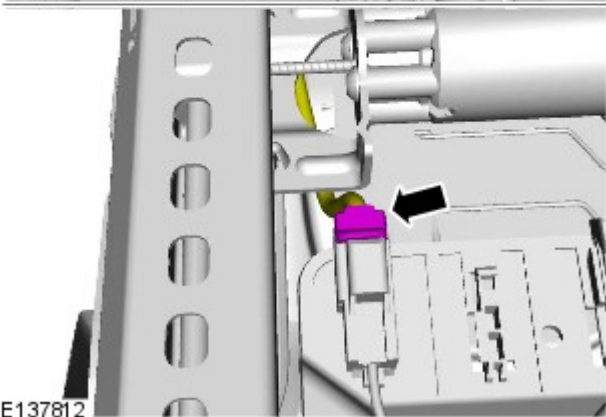
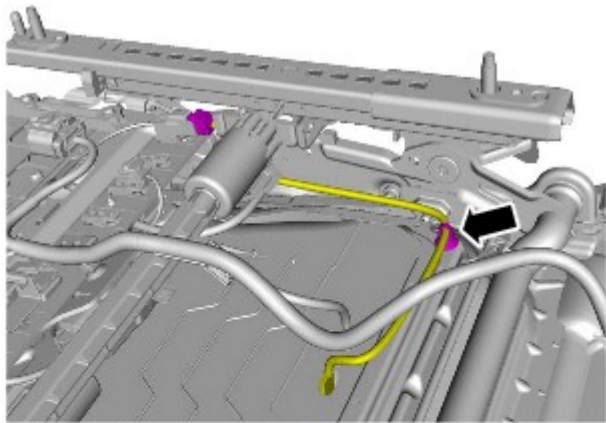
E153254

If equipped.

6.

CAUTION:

Make sure the component is aligned as shown.

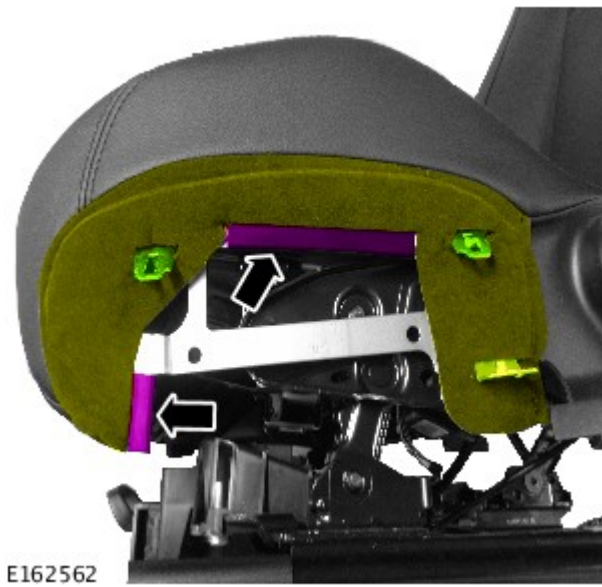


E137812

7.



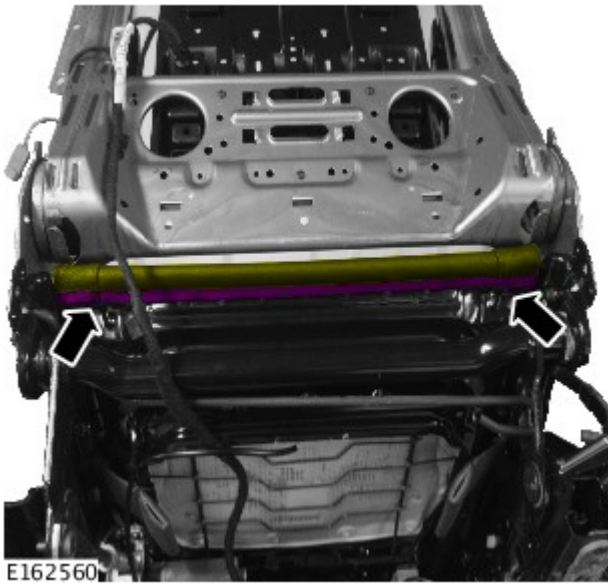
8.



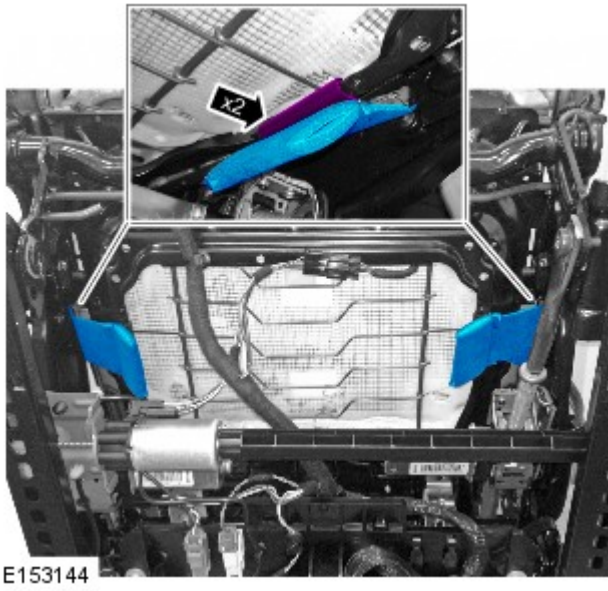
9.



10.

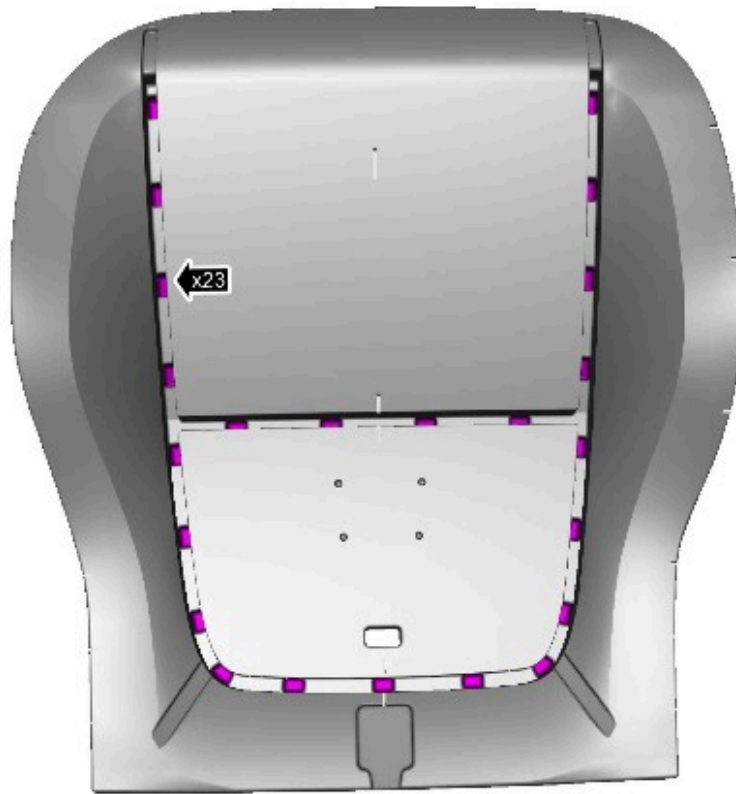


11.



12.





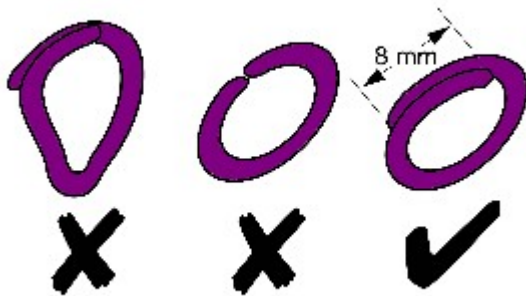
E162568

INSTALLATION

1.

NOTES:

- Make sure that new hog rings are installed.
- Use hog ring pliers to close the hog rings. Do not use any other tool. The hog rings must be closed to overlap as illustrated.



V4001063

