

## CLIMATE CONTROL

# SIDE VENT [G1579273]

### REMOVAL AND INSTALLATION

82.20.40	FASCIA VENTILATOR OUTLET - PASSENGER SIDE - RENEW	ALL DERIVATIVES	0.20	USED WITHINS	+
----------	---	--------------------	------	--------------	---

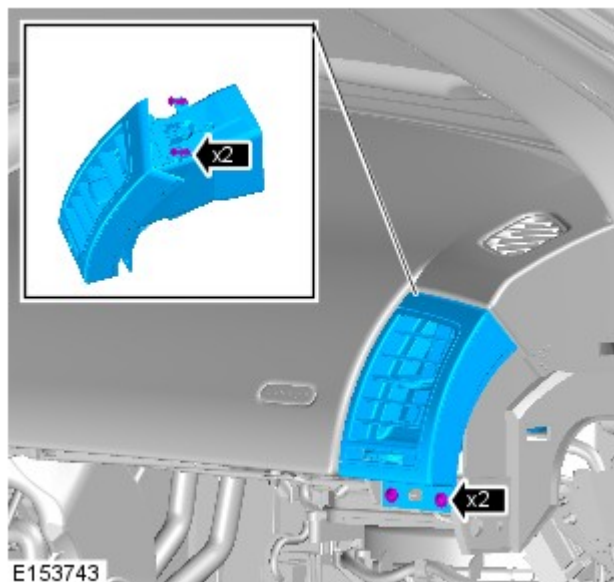
### REMOVAL

#### NOTE:

Removal steps in this procedure may contain installation details.

1. Refer to: [Glovebox](#) (501-12 Instrument Panel and Console, Removal and Installation).

2.



### INSTALLATION

1. To install, reverse the removal procedure.

## INSTRUMENT PANEL AND CONSOLE

# GLOVEBOX [G157921]

REMOVAL AND INSTALLATION

76.52.03

GLOVE BOX -  
RENEW

ALL  
DERIVATIVES

0.20

USED WITHINS

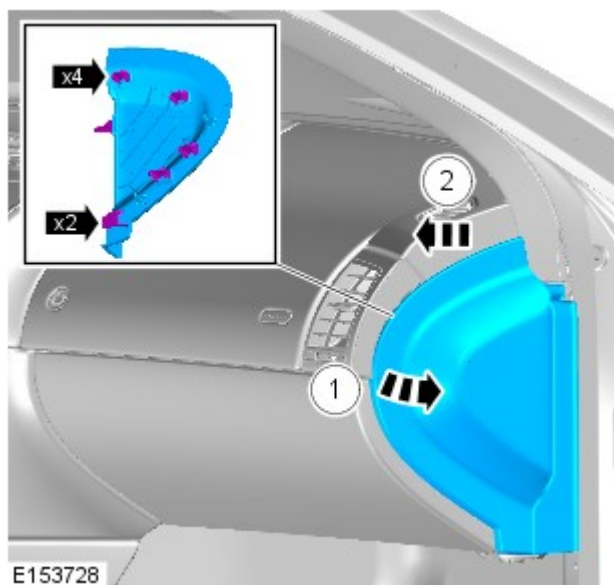
+

### REMOVAL

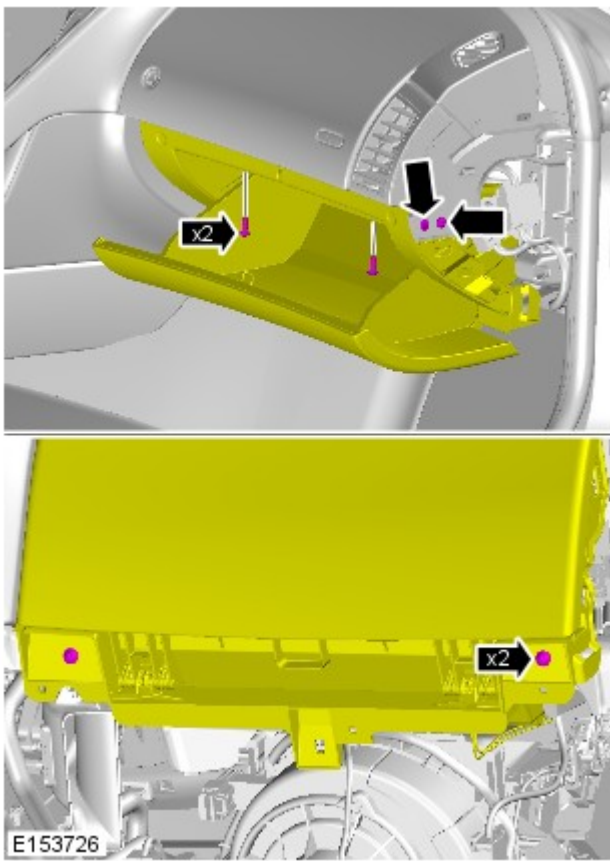
#### NOTES:

- Removal steps in this procedure may contain installation details.
- LHD illustration shown, RHD is similar.

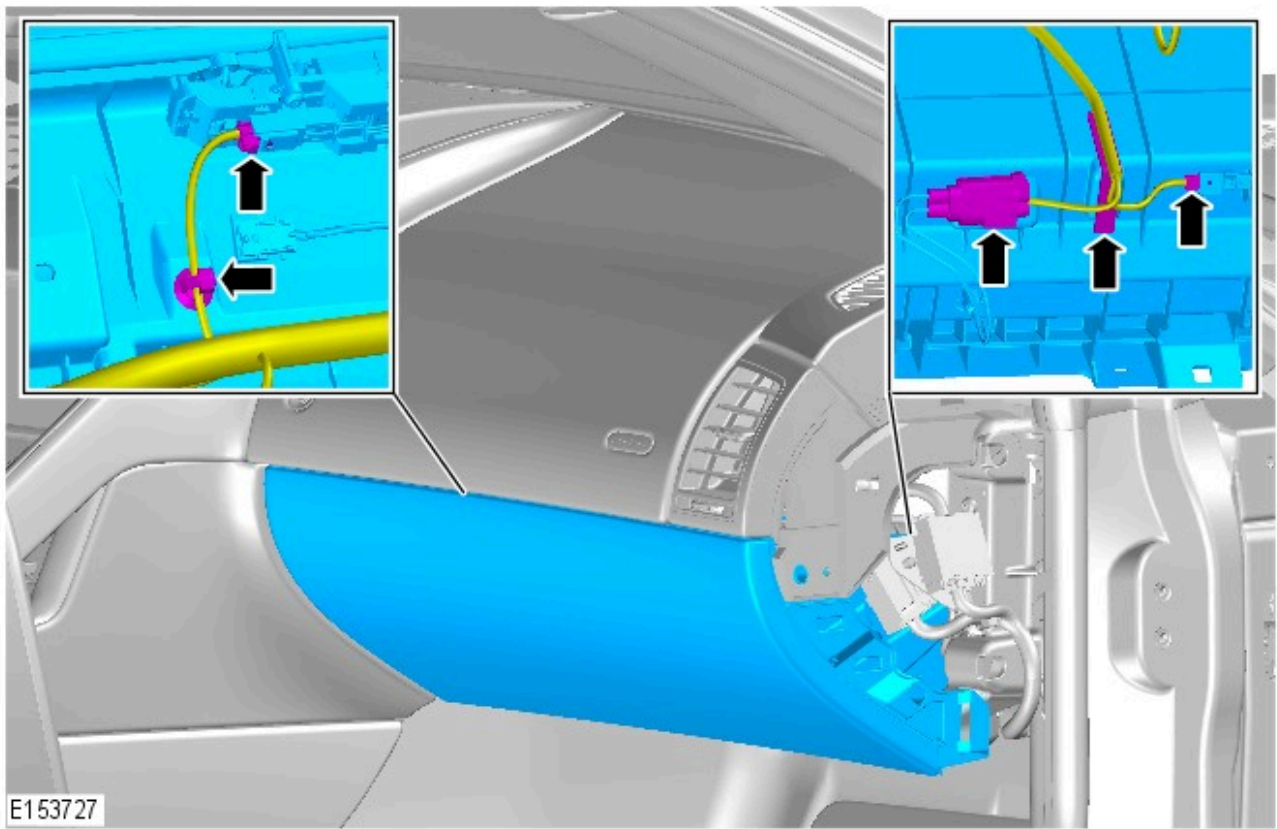
1.



2.



3.



## INSTALLATION

1. To install, reverse the removal procedure.

