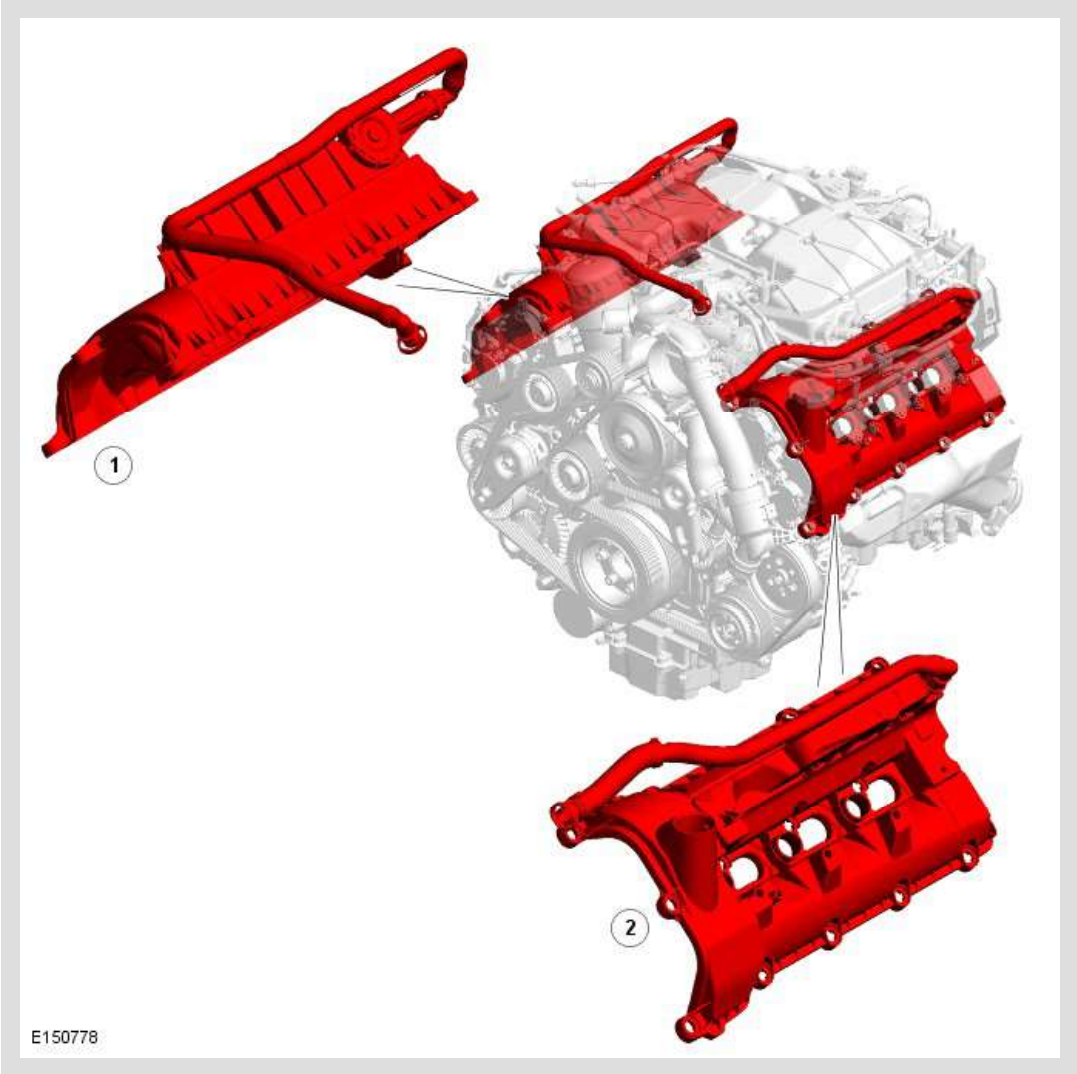


COMPONENT LOCATION



ITEM	DESCRIPTION
1	Part Load Breather
2	Full Load Breather

OVERVIEW

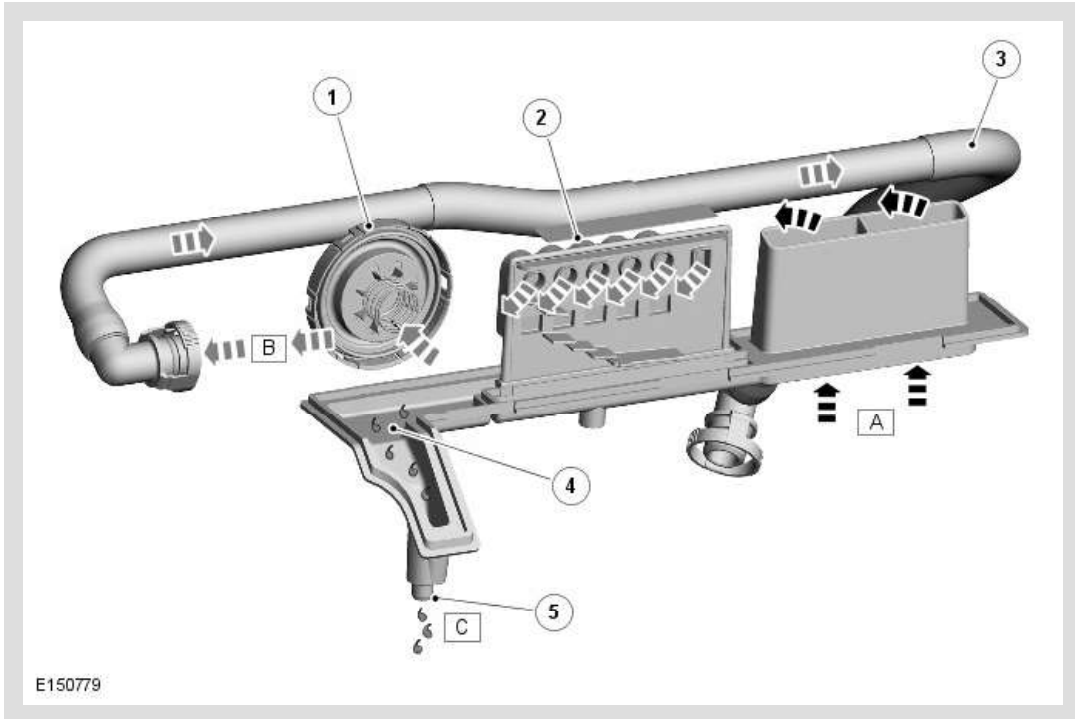
The engine emission control system reduces the level of hydrocarbon emissions released to atmosphere from the engine.

The engine emission control system consists of a PCV (positive crankcase ventilation) system with part and full load breathers.

Piston blow-by gases are drawn through the breathers into the engine air intake and added to the air charge. The resultant depression in the engine sump, front covers and camshaft covers reduces the load on the joint seals in those areas.

COMPONENT DESCRIPTION

PART LOAD BREATHER

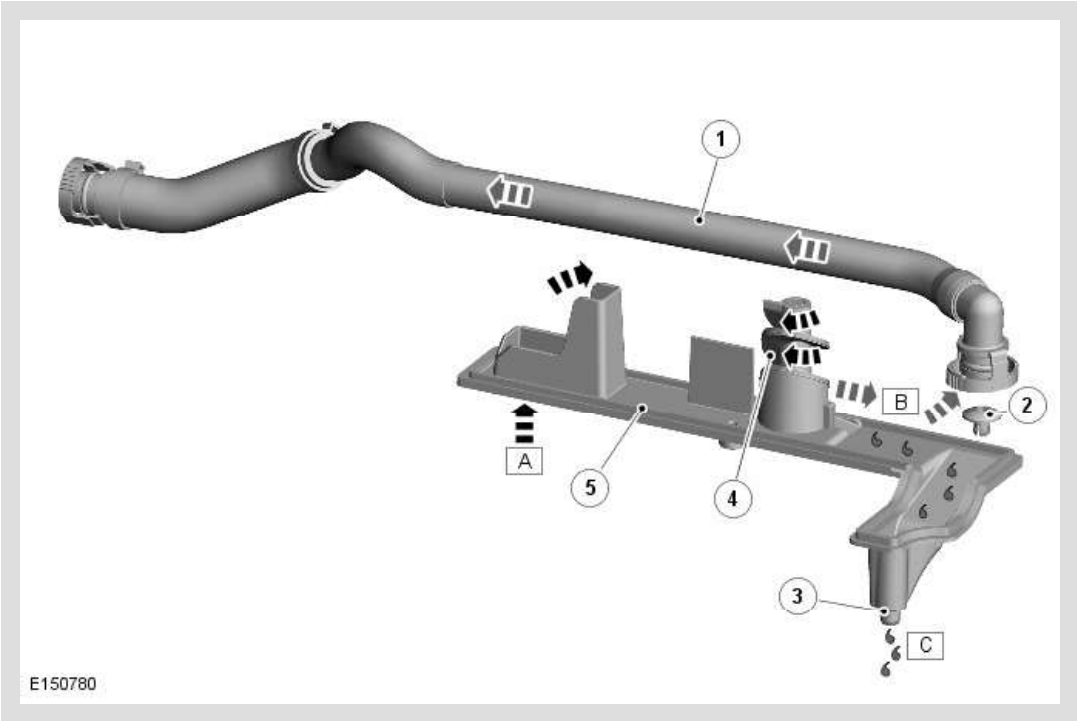


ITEM	DESCRIPTION
A	Gas and Oil Vapor
B	Gas Vapor
C	Oil
1	Positive Crankcase Ventilation (PCV) Valve
2	Oil Separator
3	Flexible Hose
4	Baffle Plate
5	Oil Drain

The part load breather consists of an oil separator, PCV valve and a flexible hose. The oil separator and the PCV valve are installed in the top of the right camshaft cover. The flexible hose connects the right camshaft cover to the intake of the supercharger.

The oil separator is installed in a channel in the top of the camshaft cover. A baffle plate, which incorporates a gas intake and an oil drain, is installed over the channel. The PCV valve is integrated into the camshaft cover and connected in parallel in the gas outlet from the channel to the flexible hose. The PCV valve regulate the crankcase pressure.

FULL LOAD BREATHER



ITEM	DESCRIPTION
A	Gas and Oil Vapor
B	Gas Vapor
C	Oil
1	Flexible Hose
2	Check Valve
3	Oil Drain