

△ NOTE:

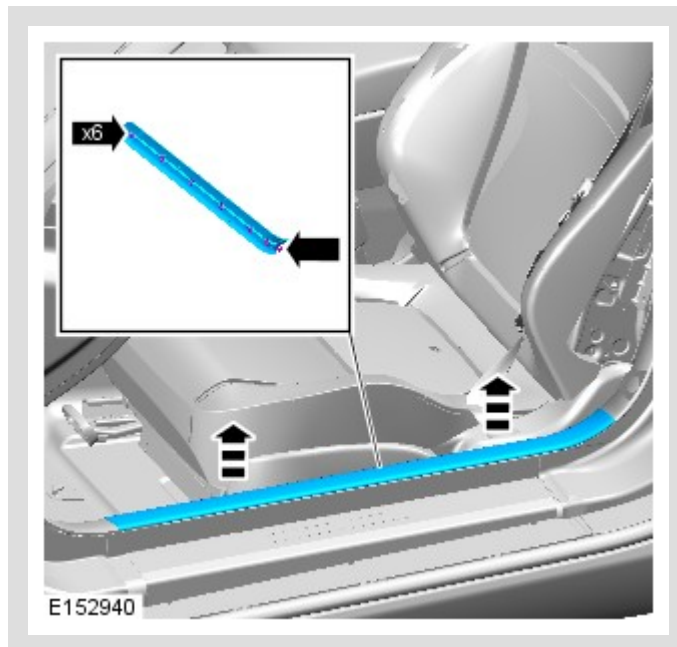
Removal steps in this procedure may contain installation details.

1. Refer to: [Floor Console](#) (501-12 Instrument Panel and Console, Removal and Installation).

2.

△ NOTE:

Repeat the procedure for the other side.



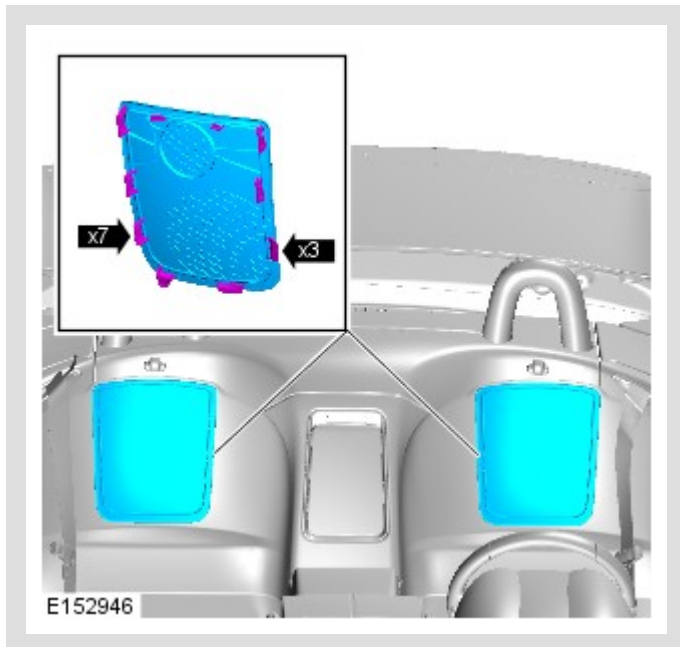
3.

△ NOTE:


Repeat the procedure for the other side.



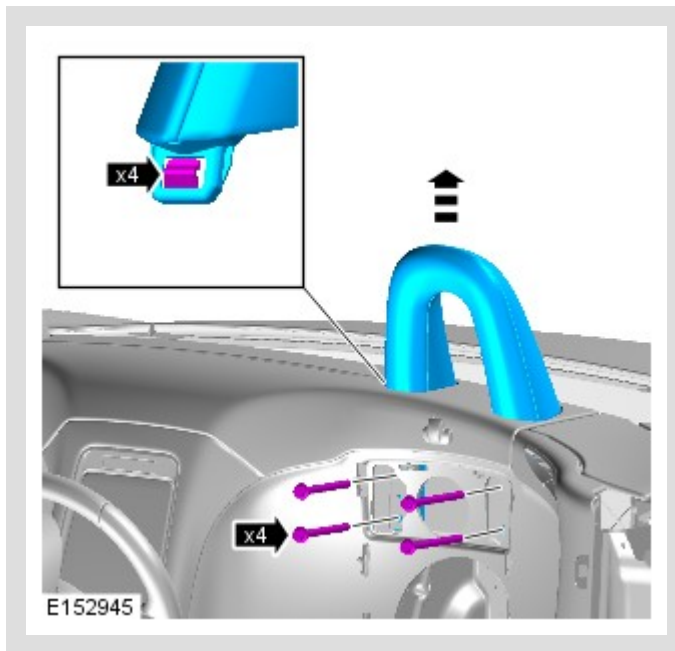
4.



5.

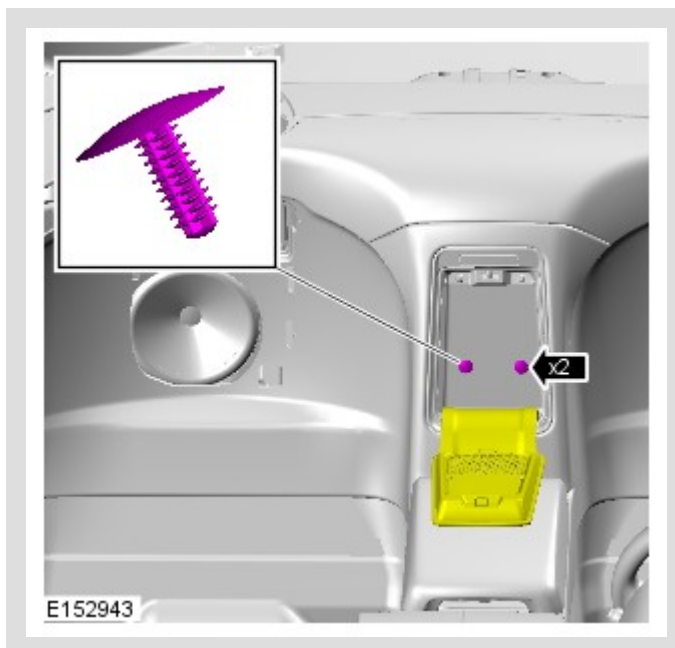
 NOTE:

Repeat the procedure for the other side.

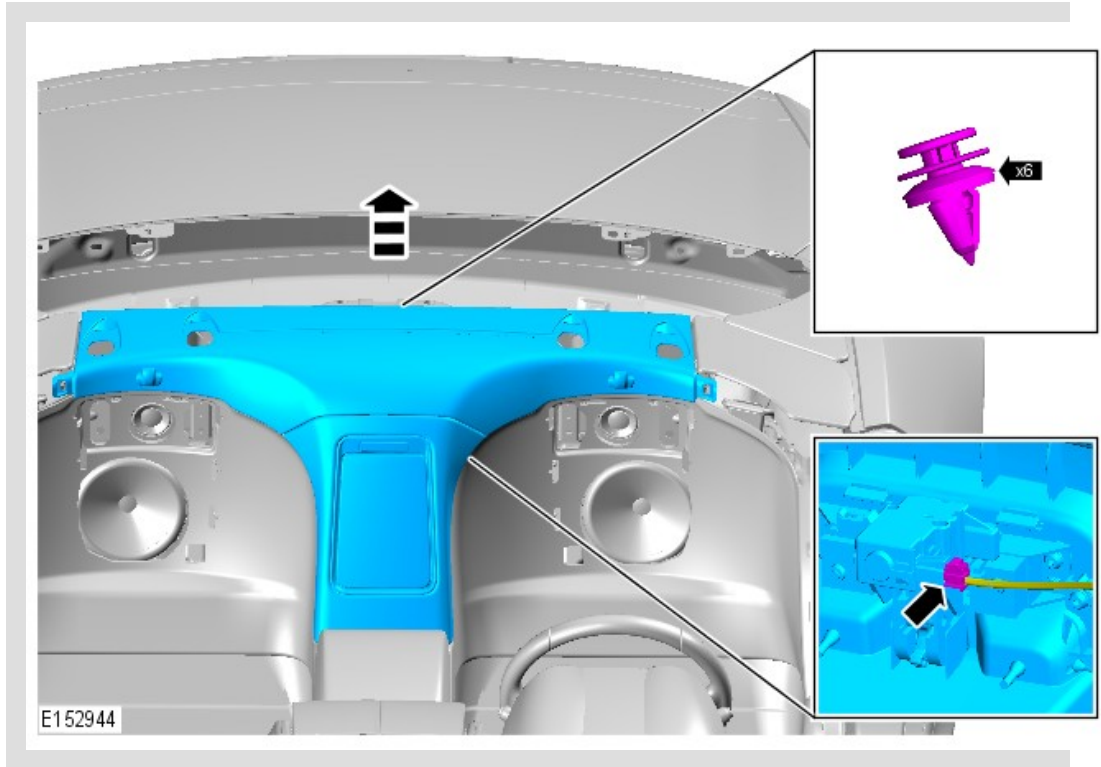


*Torque: 47 Nm*

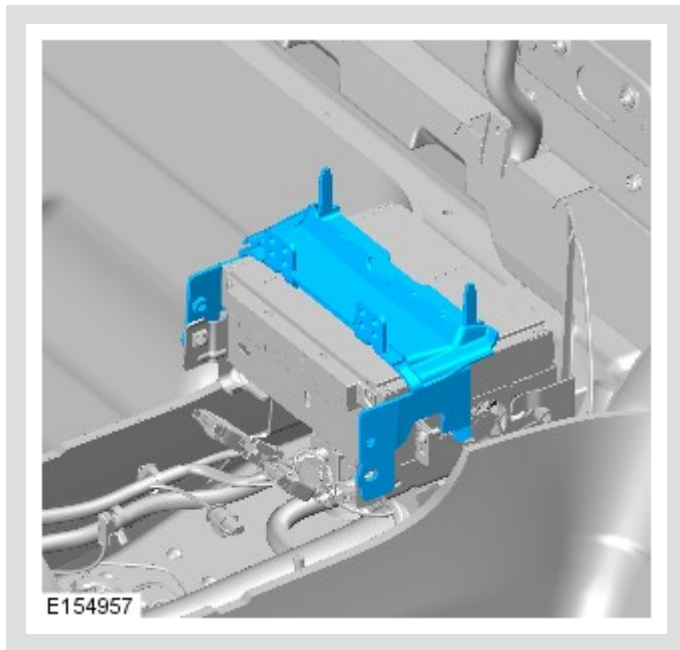
6.



7.



8.



9.