

Bumpers - F-Type/X152

BUMPERS

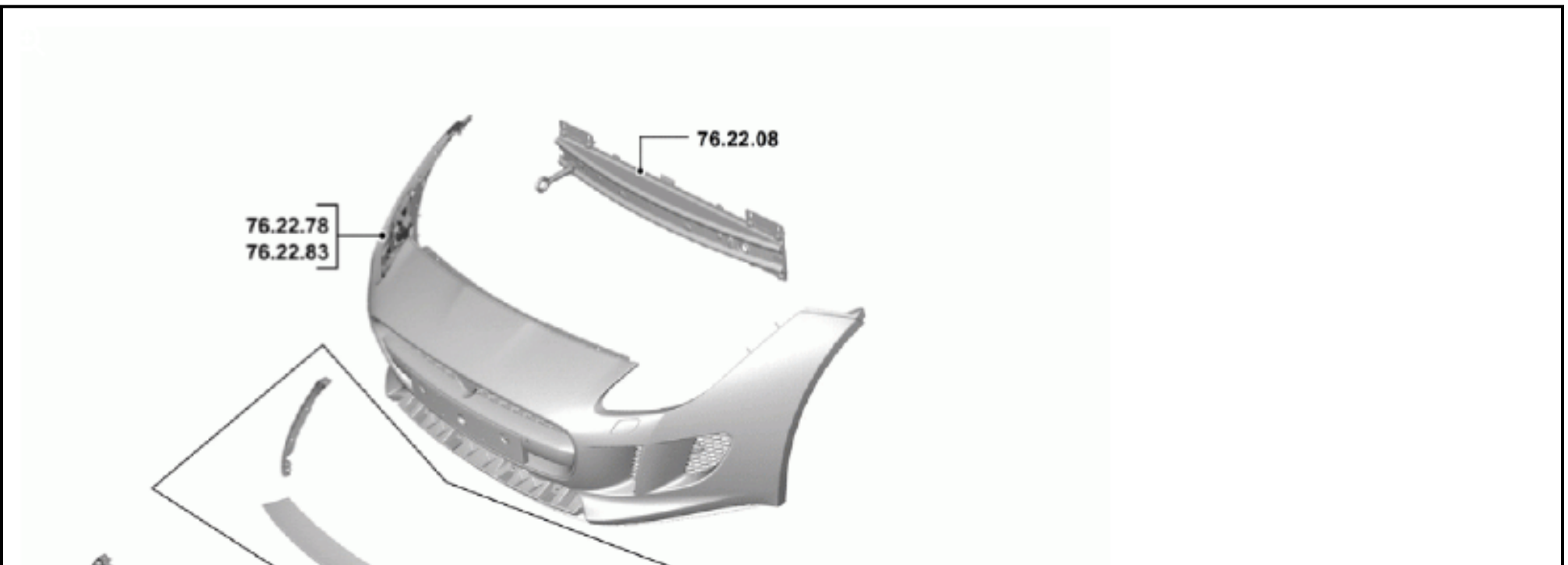
SPECIFICATIONS

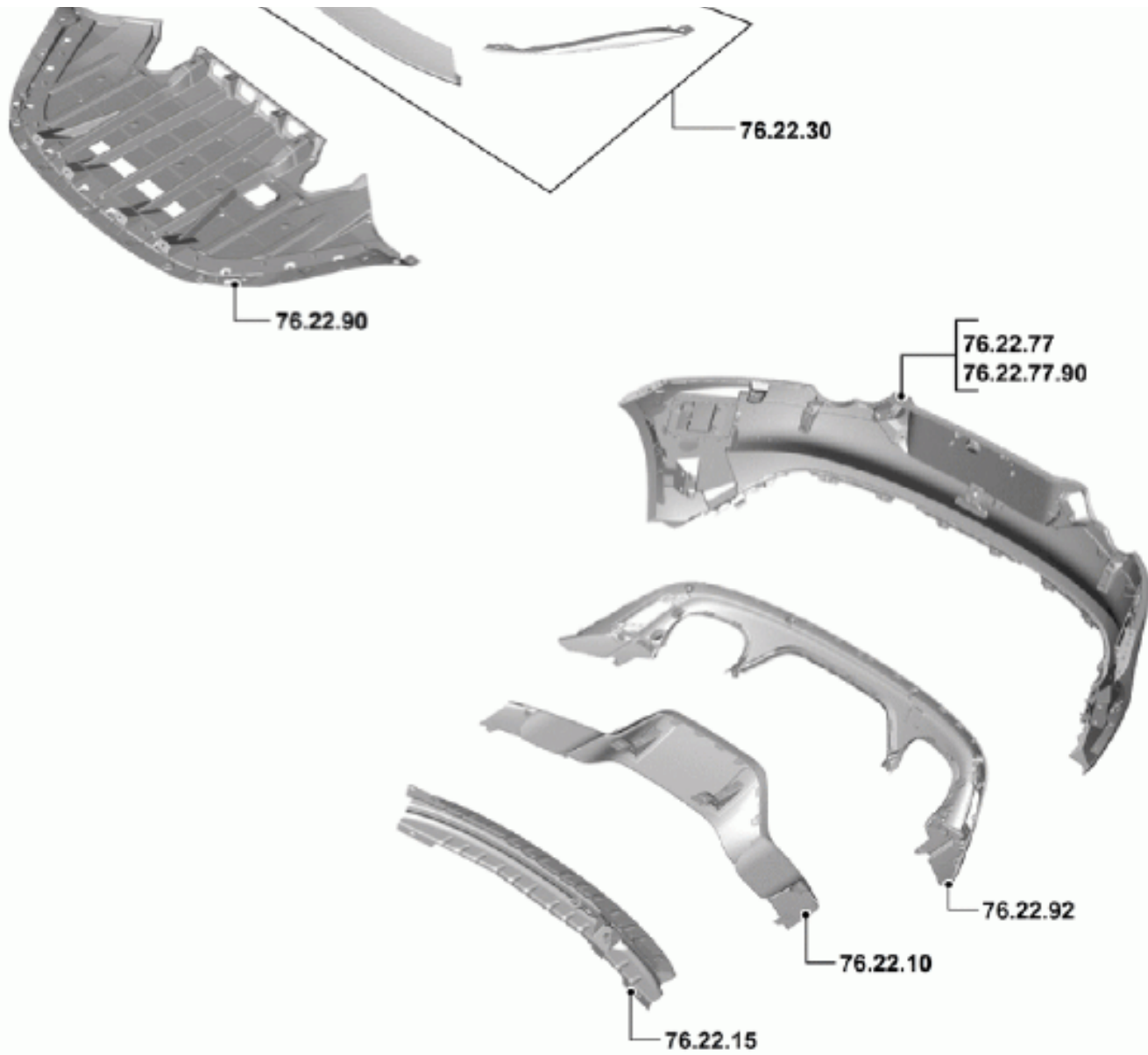
DESCRIPTION	NM	LB-FT	LB-IN
Front bumper cover retaining bolts	4.1	-	36
Front bumper armature retaining M6 bolts	11	8	-
Front bumper armature retaining M10 bolts	55	41	-
Rear bumper cover retaining bolts	4.1	-	36
Rear bumper armature retaining M8 bolts and nuts at 14MY vehicles	15	11	-
Rear bumper armature retaining M10 bolts and nuts from 15MY vehicles	48	35	-

REMOVAL AND INSTALLATION

FRONT BUMPER (G1580236)

76.22.08	FRONT BUMPER ASSEMBLY - RENEW	ALL DERIVATIVES	1.9
----------	-------------------------------	-----------------	-----



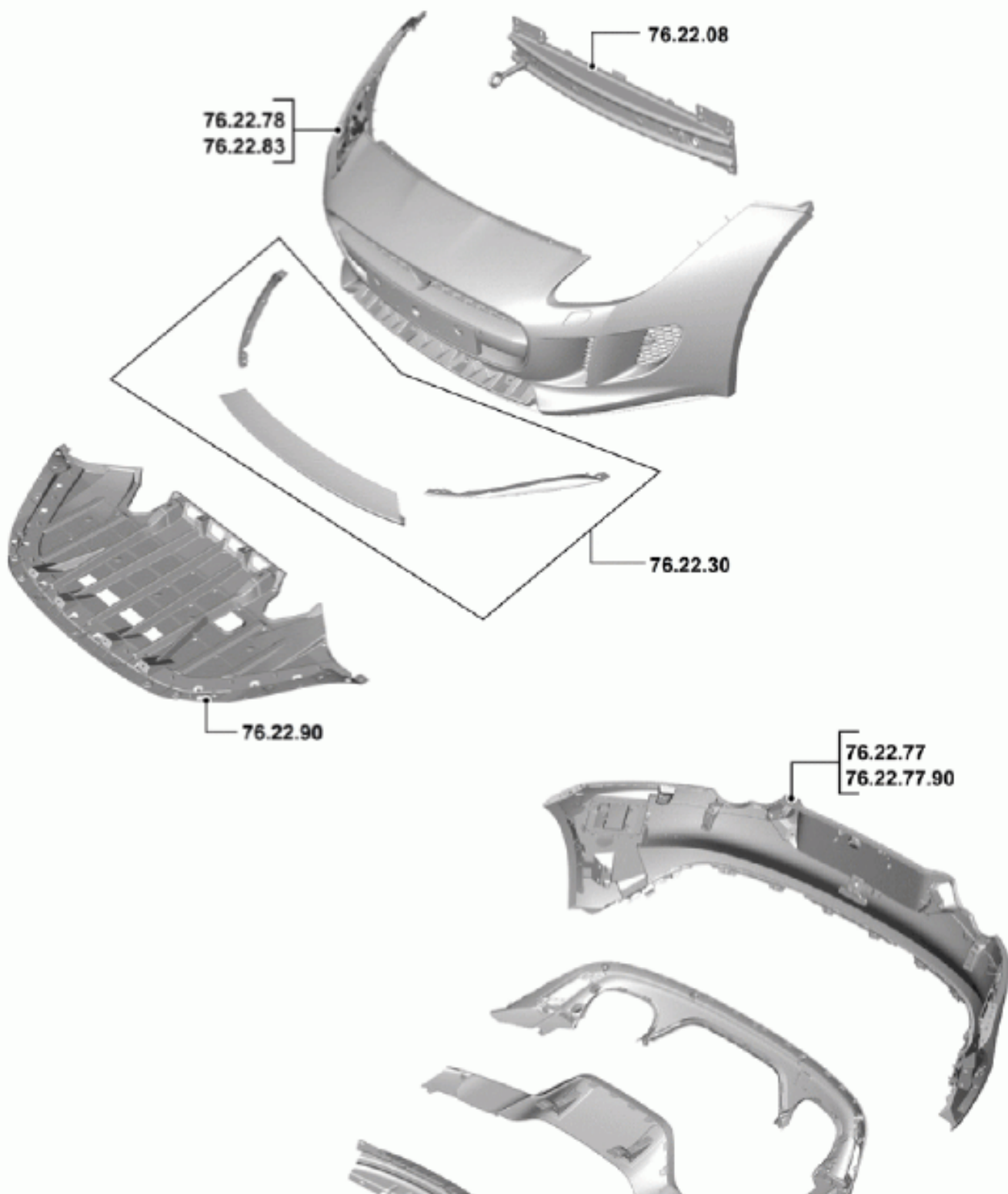


76.22.08

FRONT BUMPER ASSEMBLY - RENEW

SVR

2.3



76.22.78
76.22.83

76.22.08

76.22.30

76.22.90

76.22.77
76.22.77.90



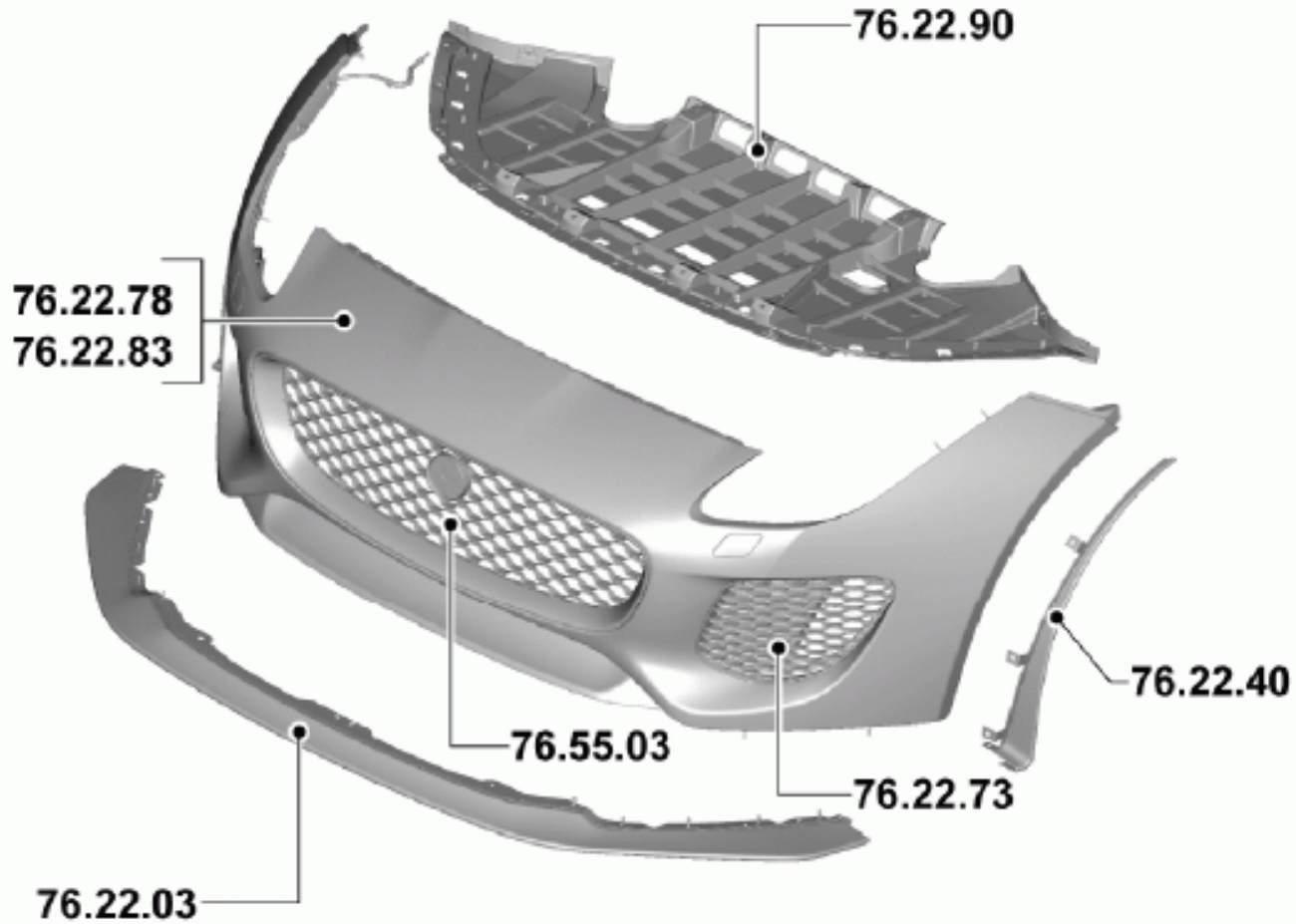
JRT1231

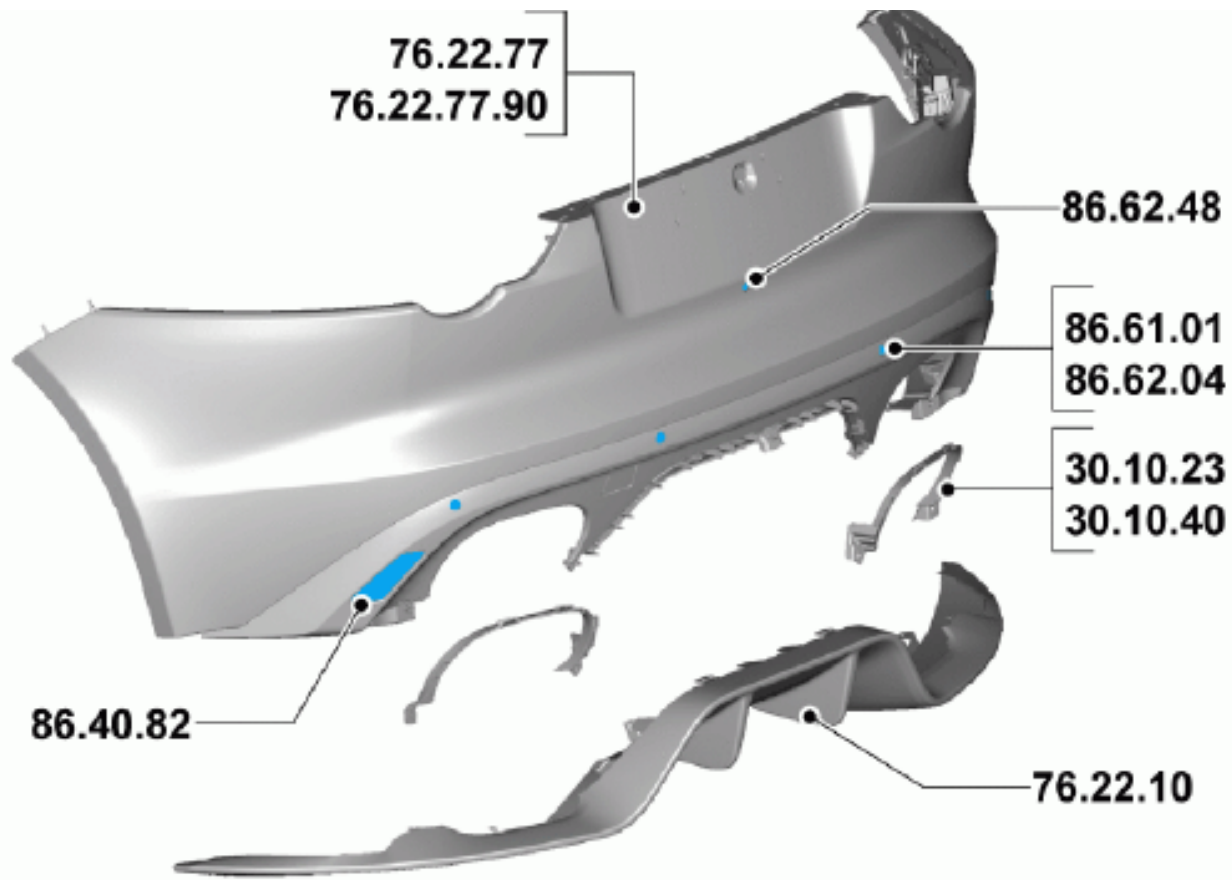
76.22.78

FRONT BUMPER COVER - RENEW

PROJECT 7

2.1





JRT1672

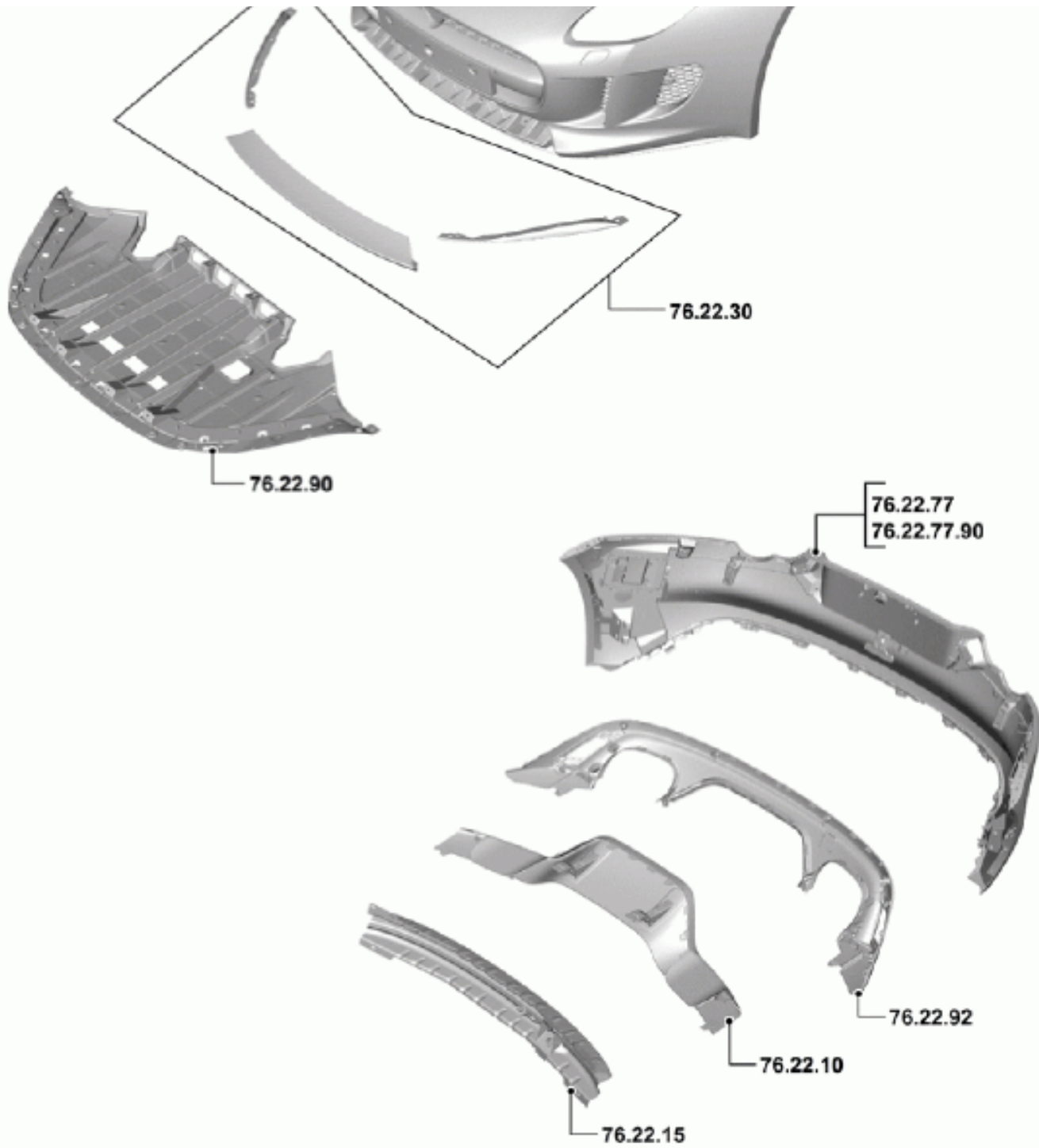
76.22.78

FRONT BUMPER COVER - RENEW

SVR

2.6





NOTE:

- Removal steps in this procedure may contain installation details.
- Some components shown removed for clarity.
- Some variation in the illustrations may occur, but the essential information is always correct.

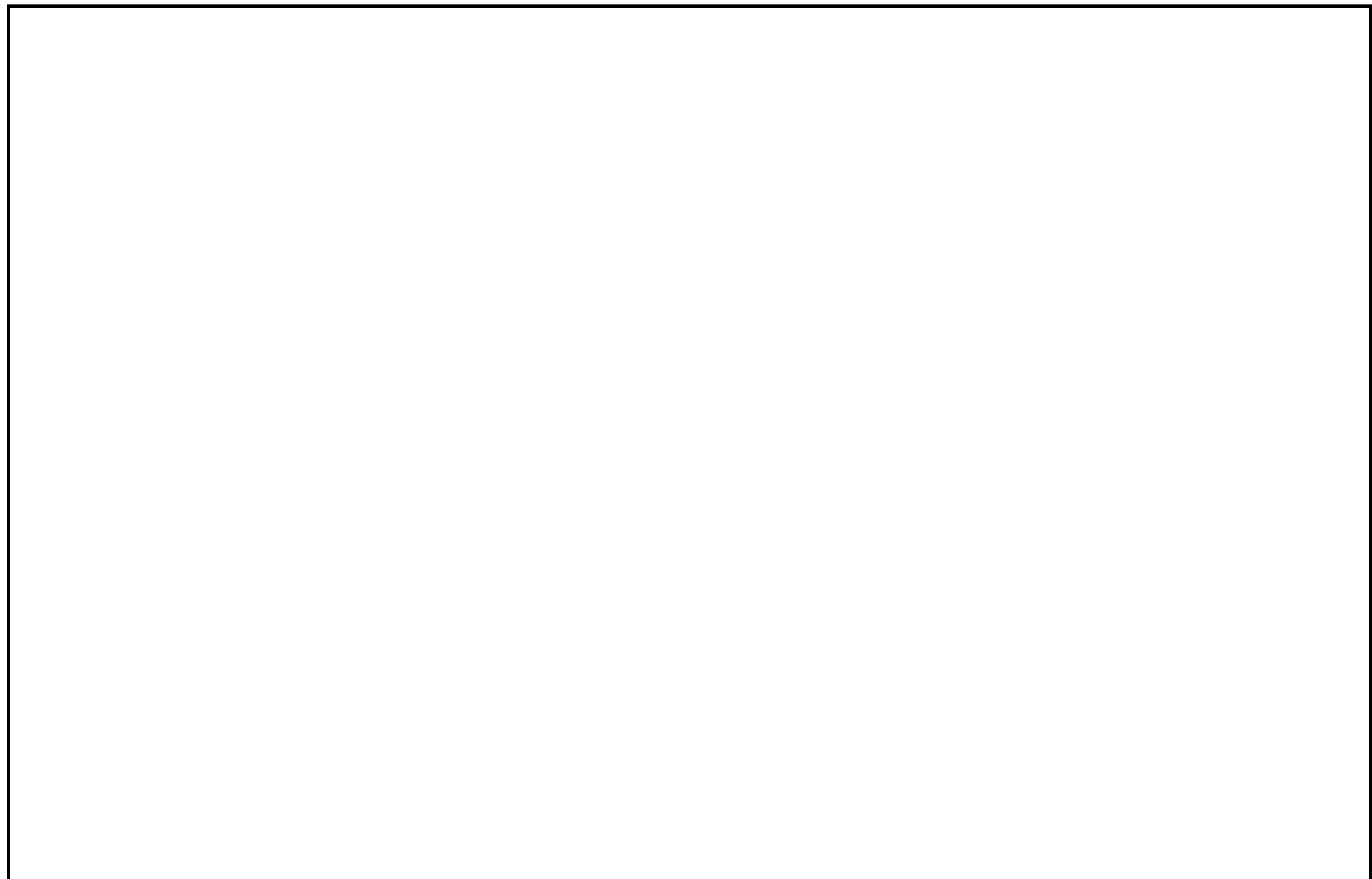
1. **WARNING:** Make sure to support the vehicle with axle stands.

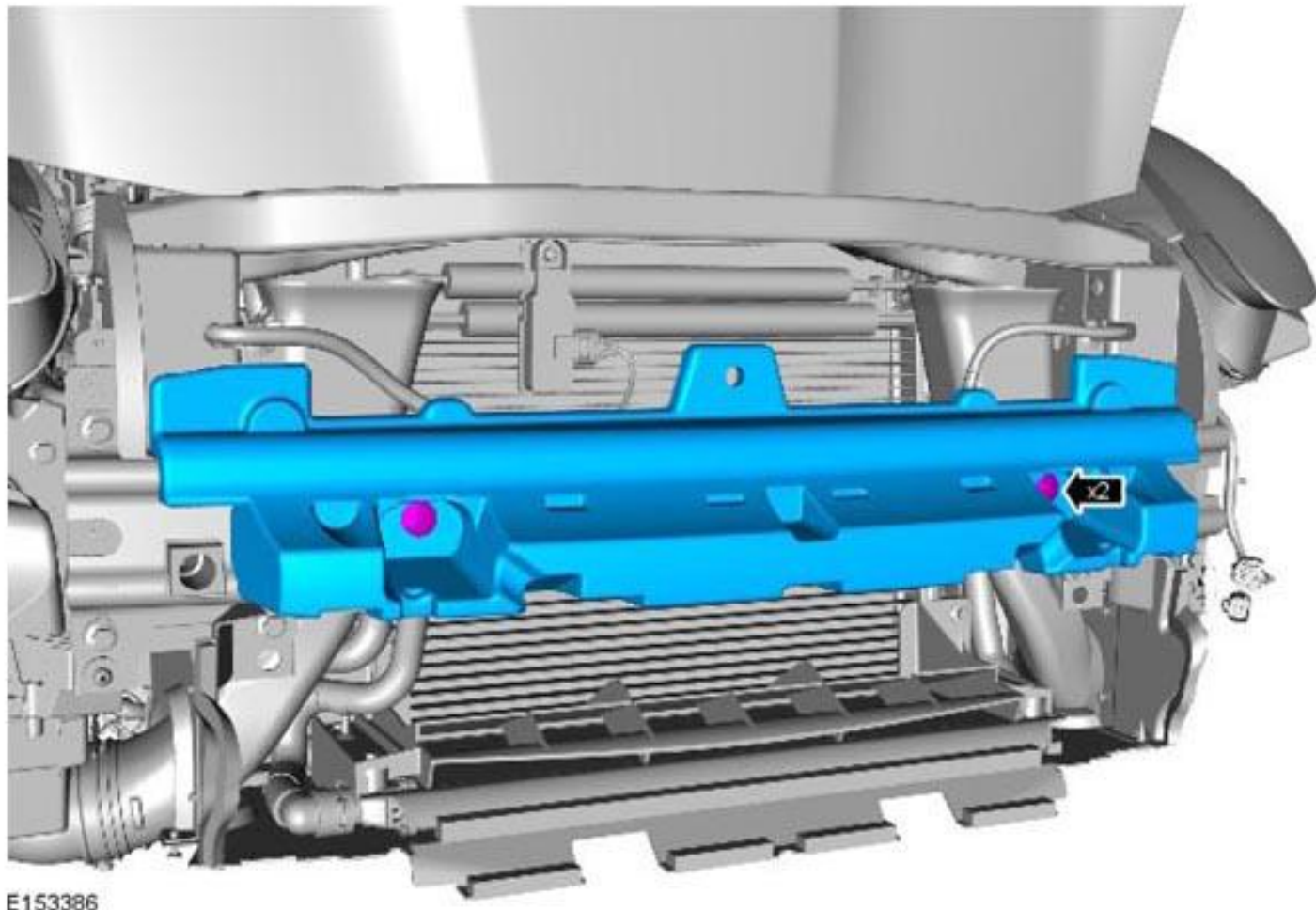
Raise and support the vehicle.

2. Refer to: [Front Bumper Cover](#) (Removal and Installation).

Refer to: [Front Bumper Cover](#) (Removal and Installation).

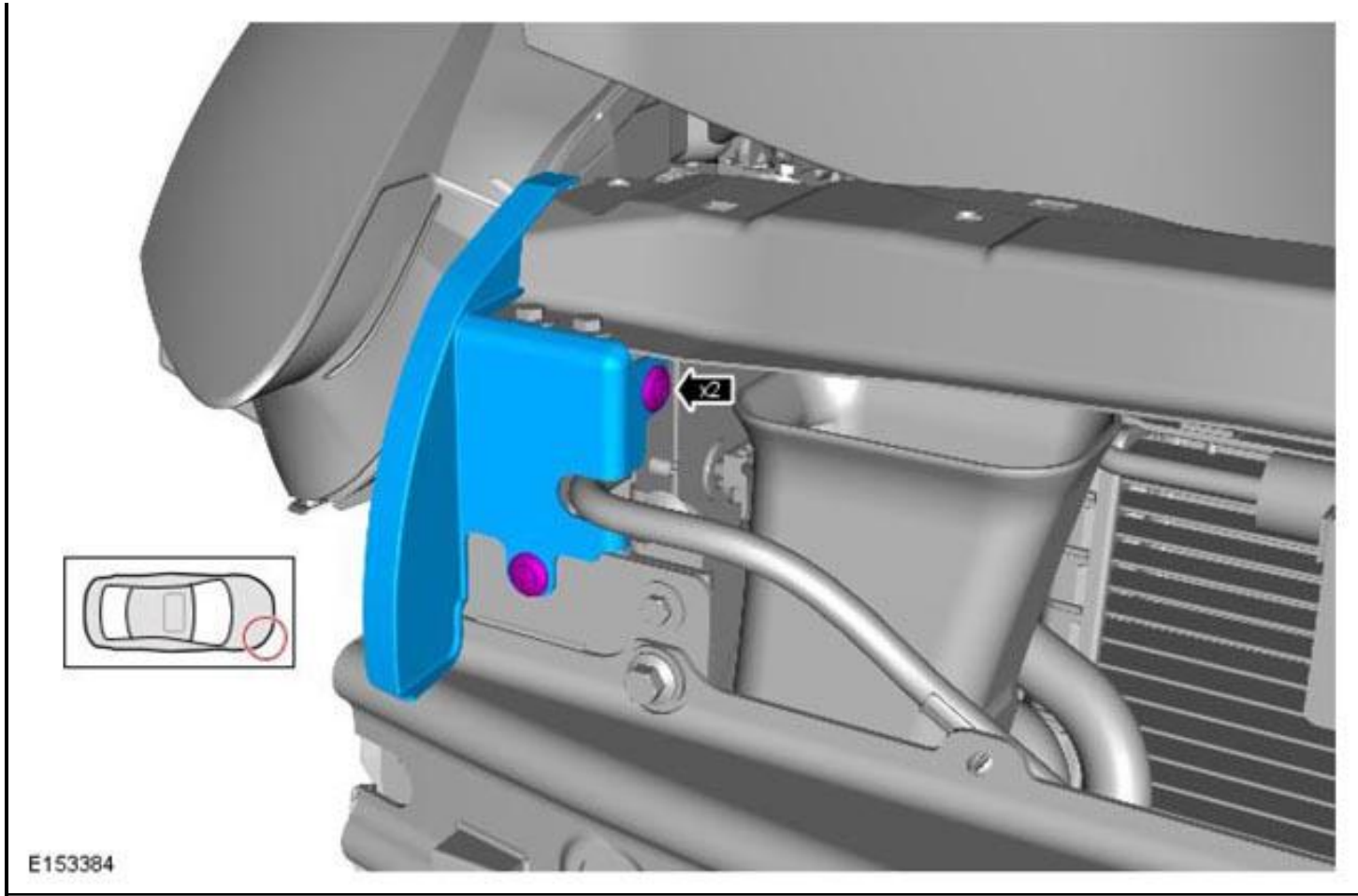
- 3.



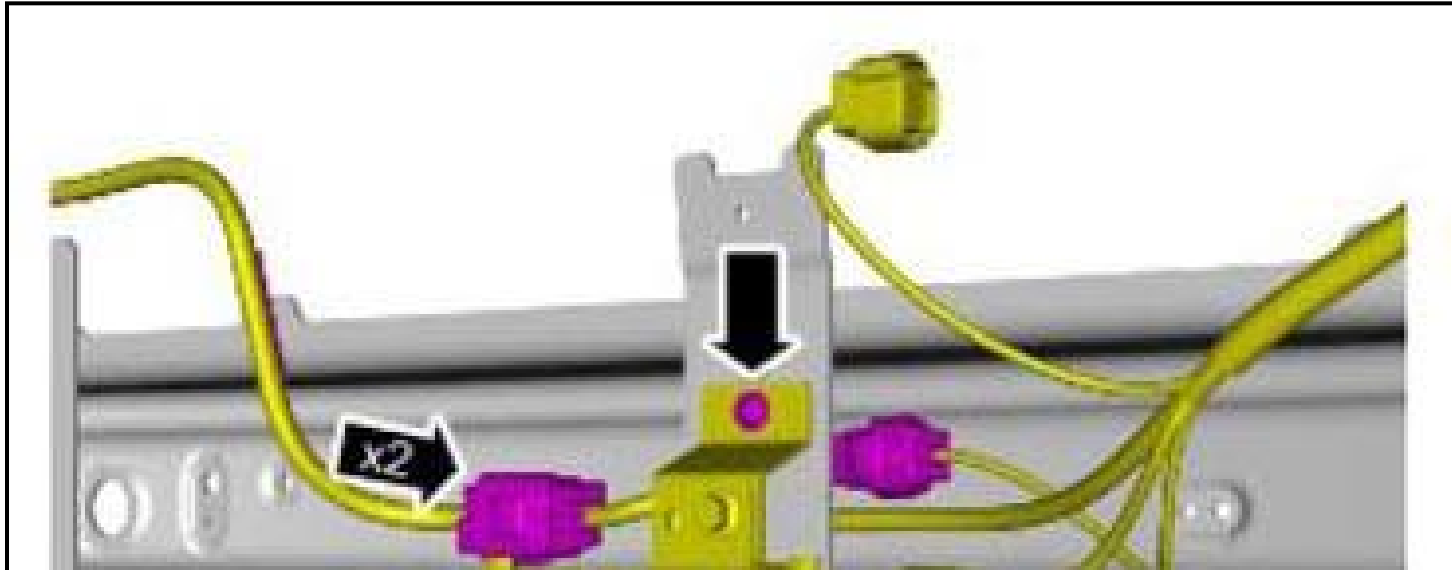


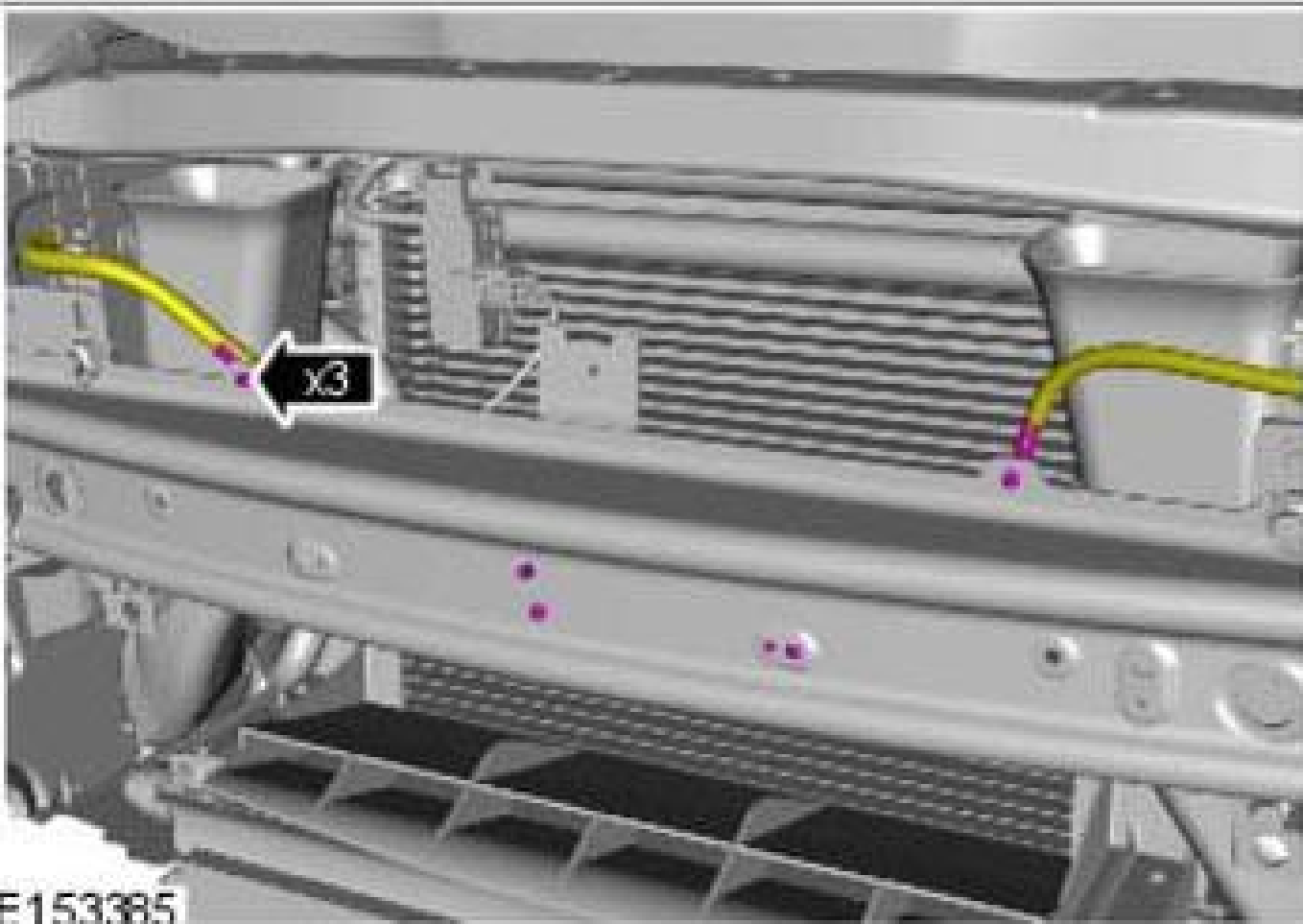
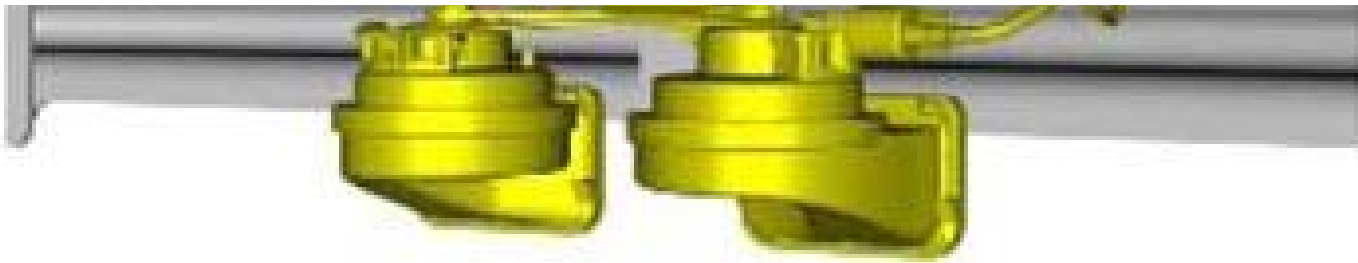
E153386

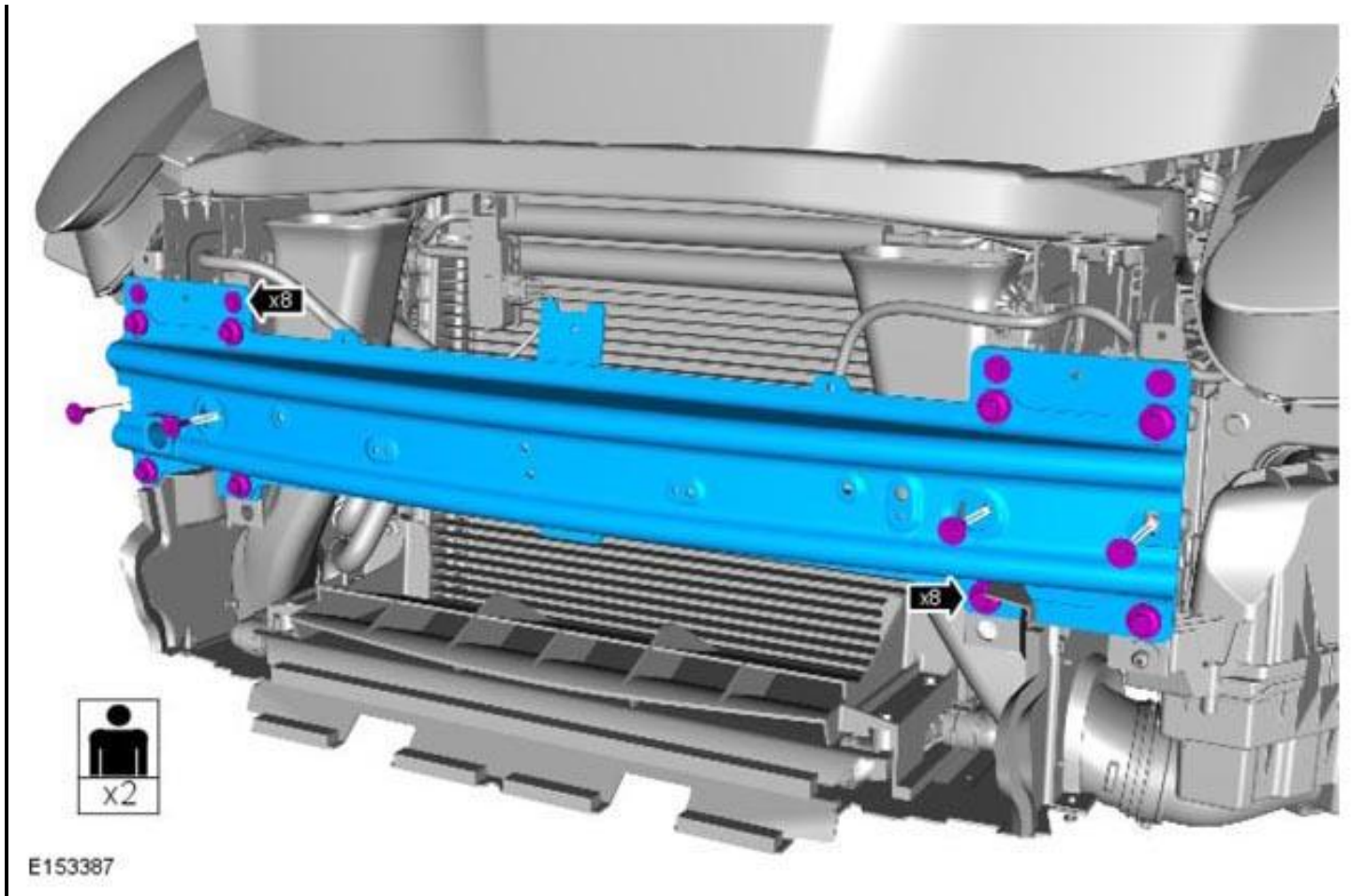
4. **NOTE:** Repeat the step for the other side.



5.







Torque Specification:

M6 bolts **11 Nm**

M10 bolts **55 Nm**

INSTALLATION

1. To install, reverse the removal procedure.

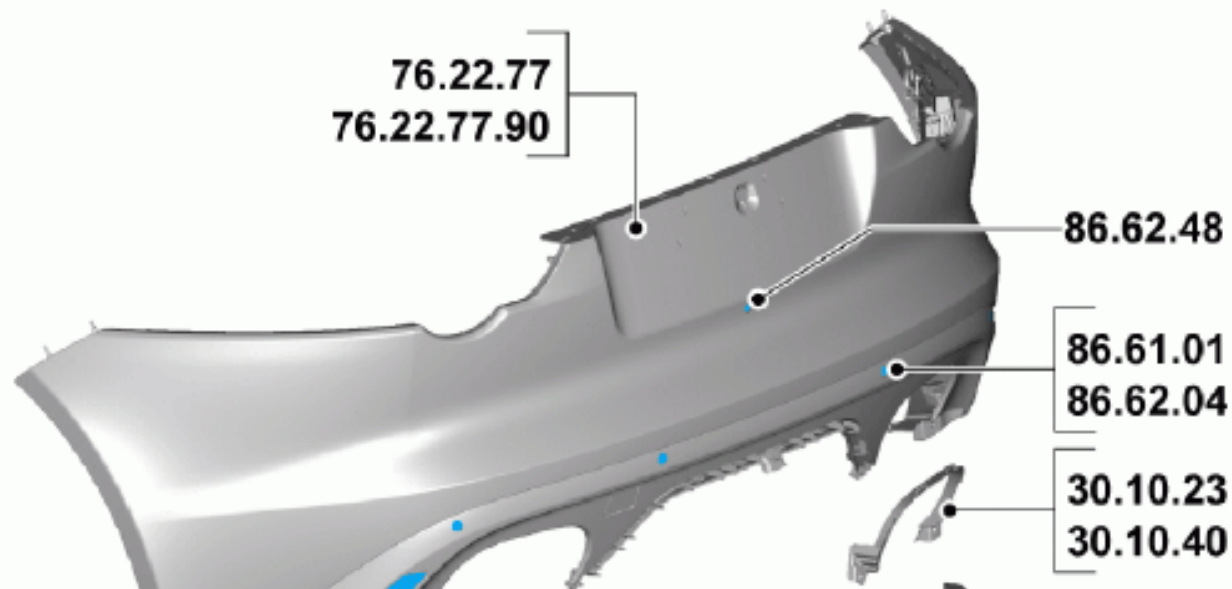
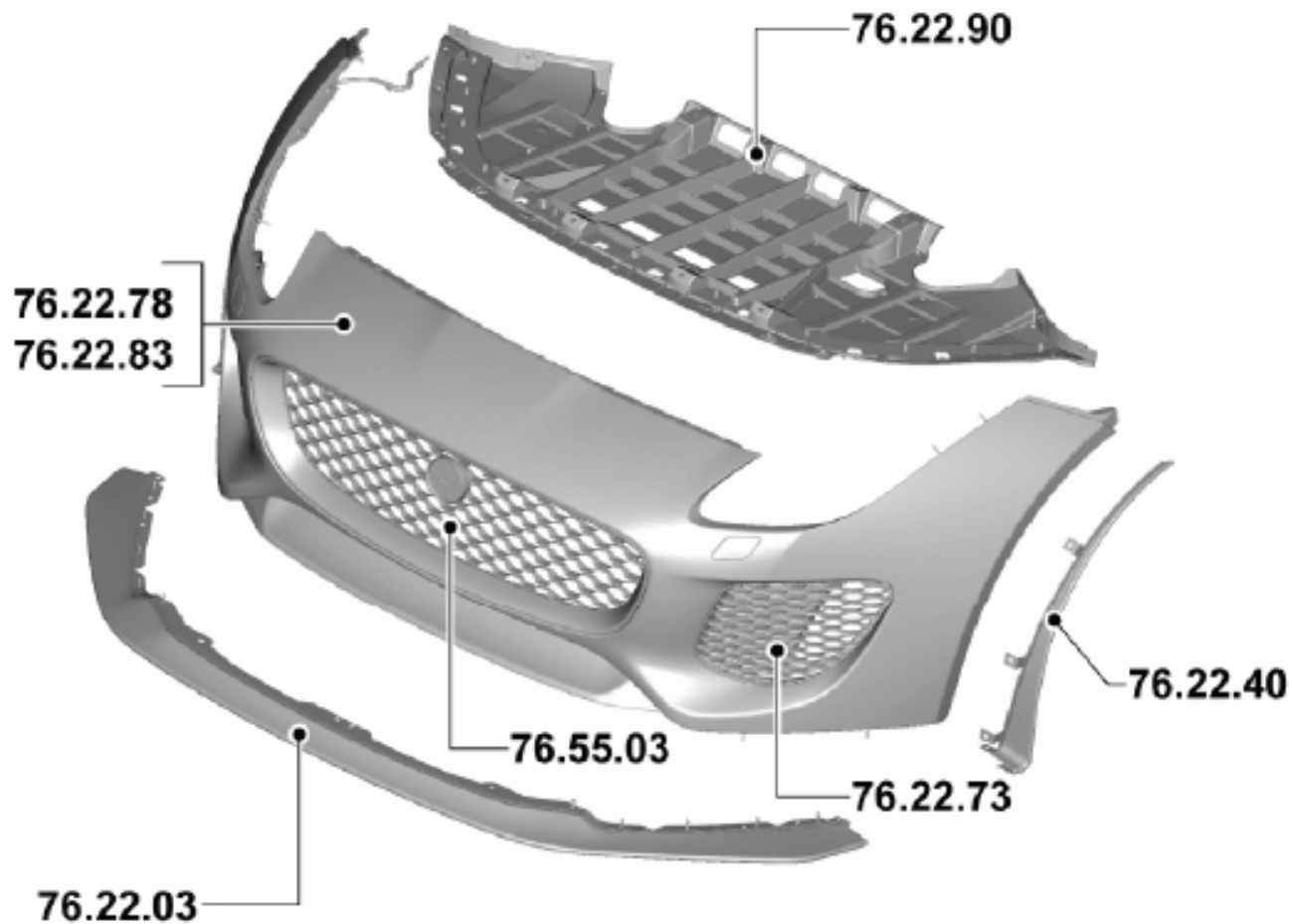
FRONT BUMPER COVER (G1580237)

76.22.78

FRONT BUMPER COVER - RENEW

PROJECT 7

2.1



86.40.82

76.22.10

JRT1672

76.22.78

FRONT BUMPER COVER - RENEW

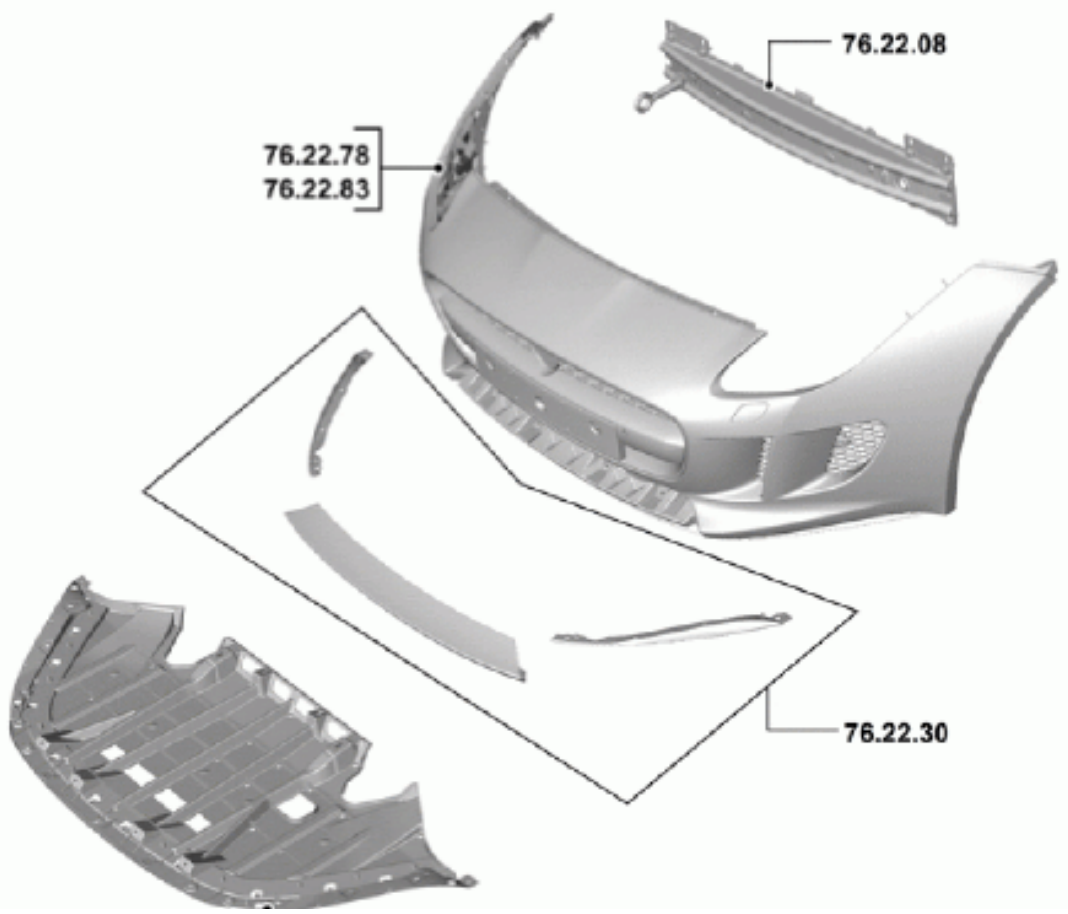
SVR

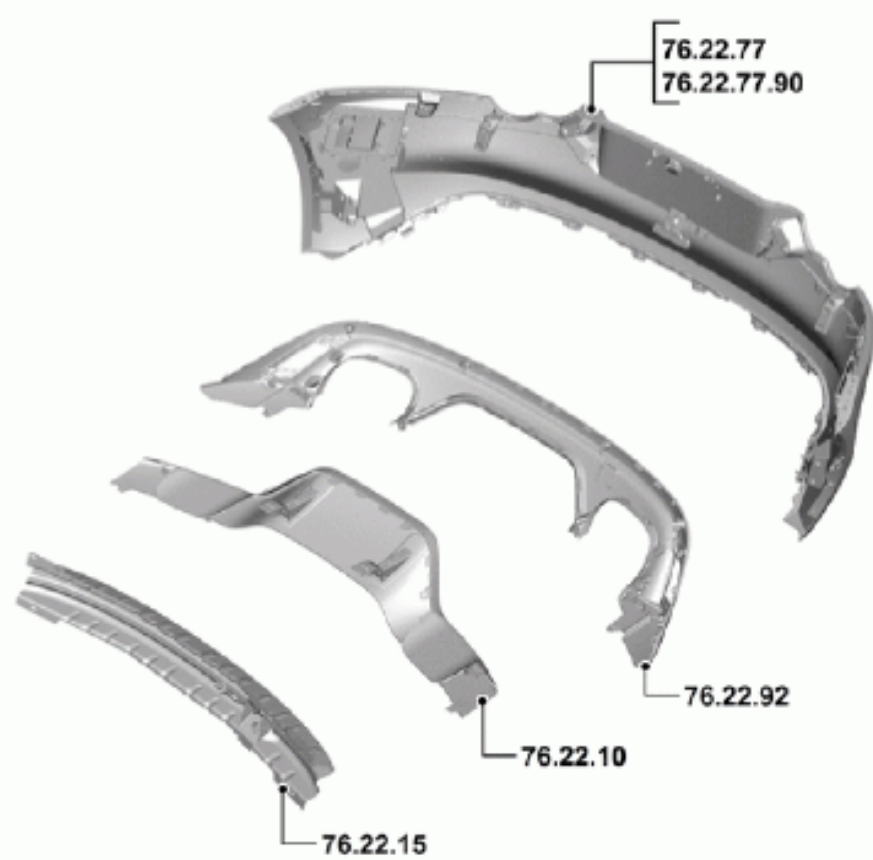
2.6

76.22.78
76.22.83

76.22.08

76.22.30





JRT1231

REMOVAL

NOTE:

- This procedure contains some variation in the illustrations depending on the vehicle specification, but the essential information is always correct.
- This procedure contains illustrations showing certain components removed to provide extra clarity.

1. Raise and support the vehicle on a suitable 2 post lift. Refer to: [Lifting](#) (Description and Operation).

2. **NOTE:** This procedure must be carried out on both sides.

Remove the front wheel arch liner.

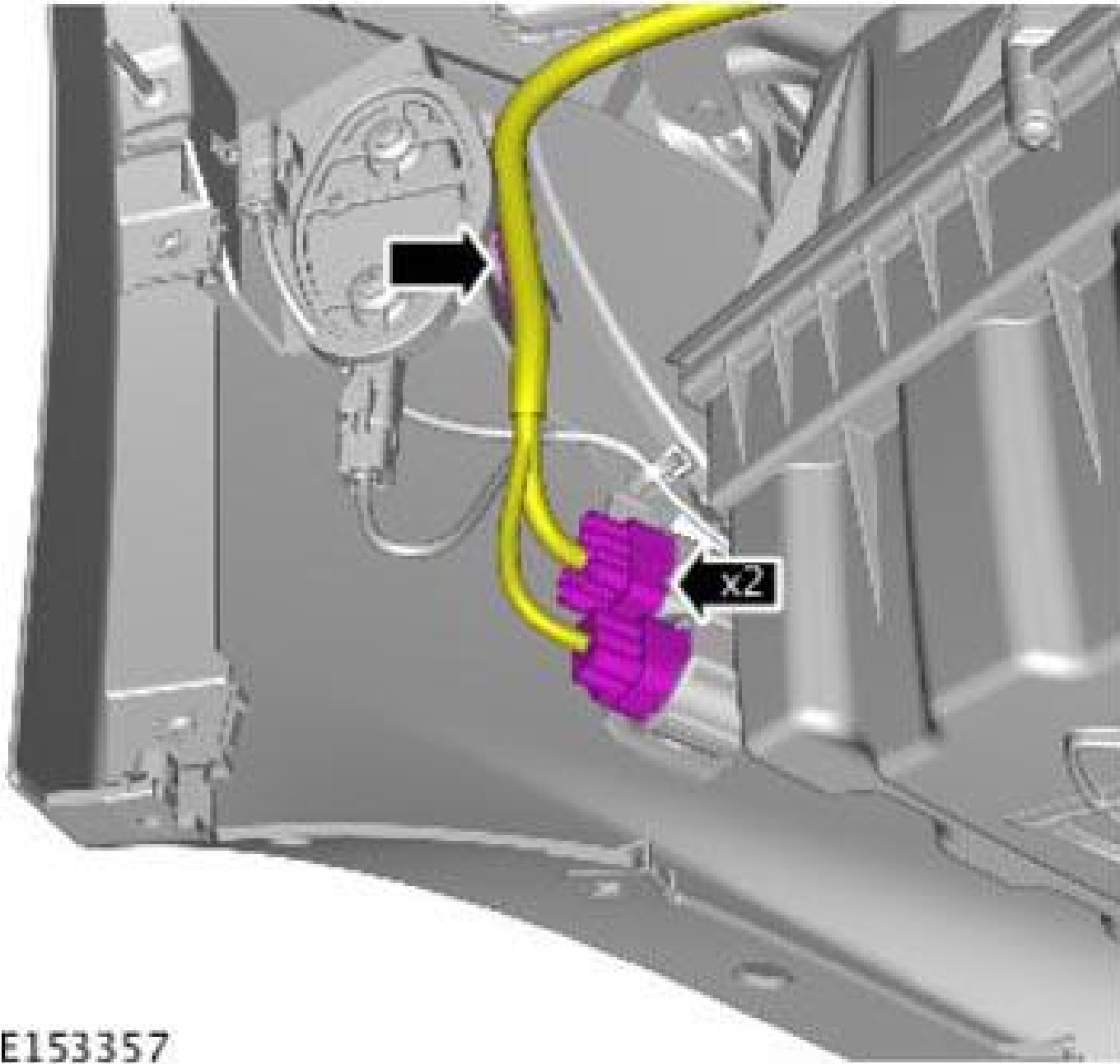
Refer to: [Fender Splash Shield \(G1580215\)](#) (Removal and Installation).

3. Remove the radiator splash shield.

Refer to: [Radiator Splash Shield \(G1580217\)](#) (Removal and Installation).

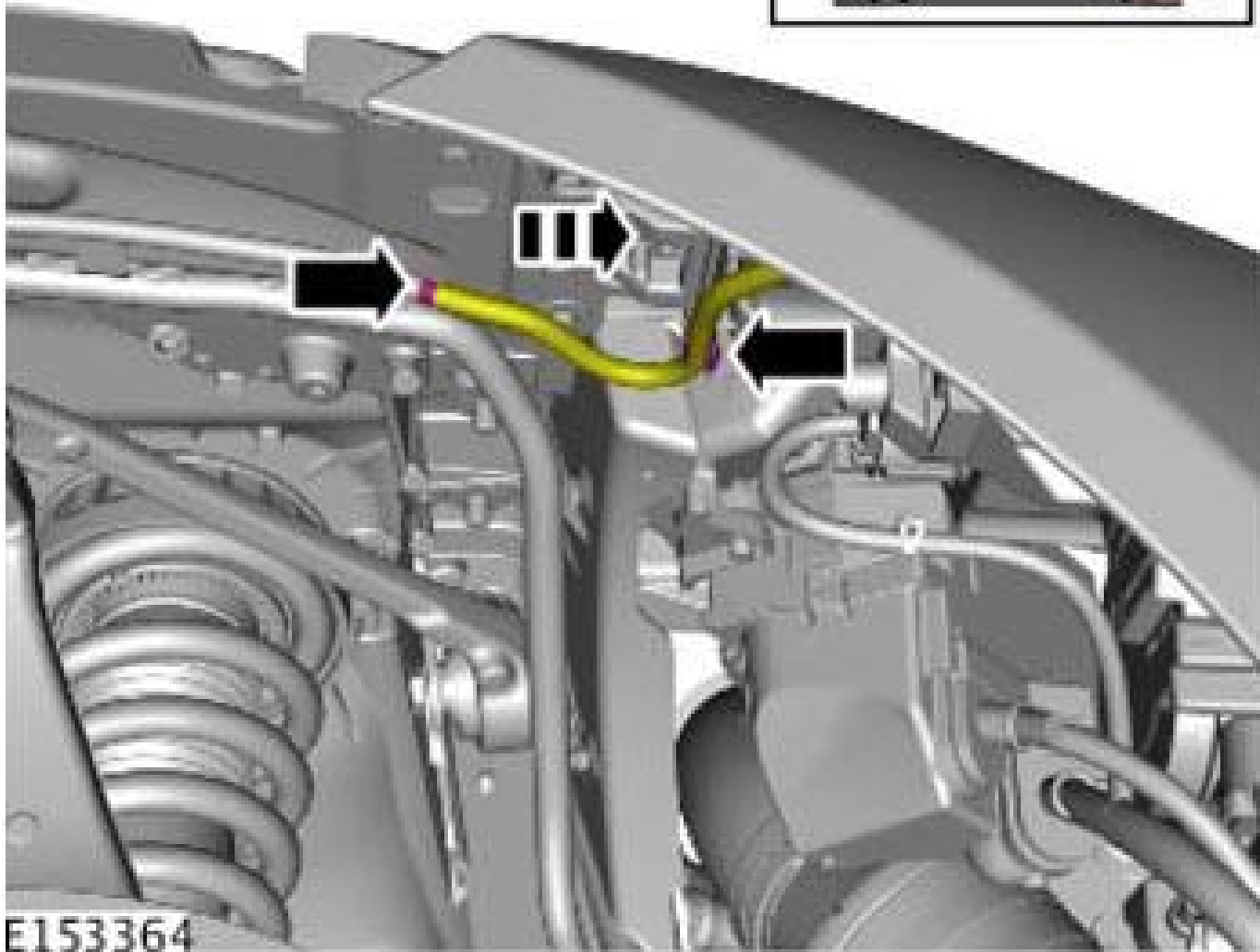
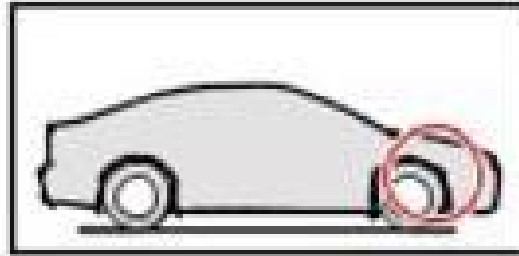
4.





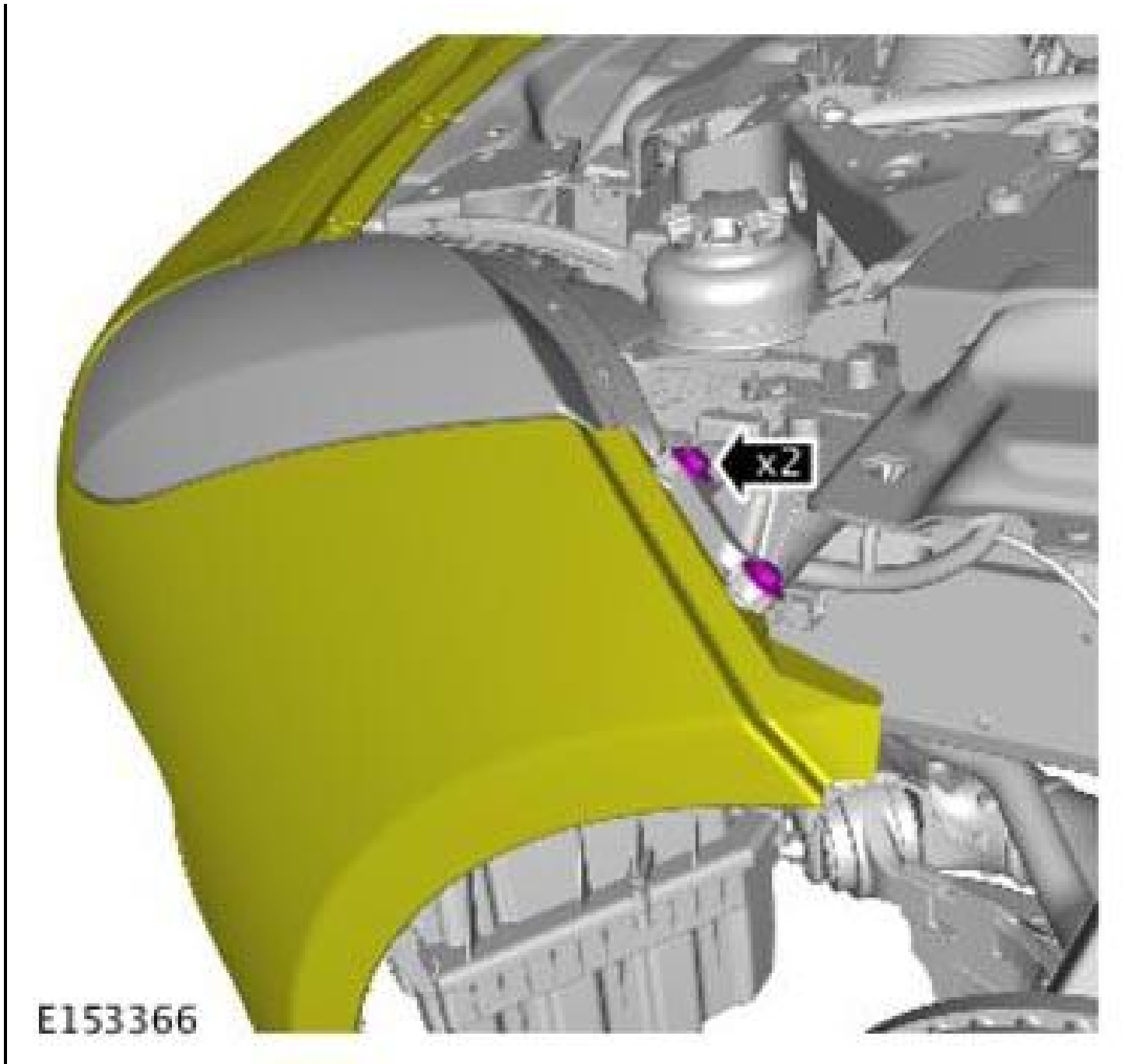
Disconnect the electrical connectors.

5.



Disconnect the headlamp washer hose.

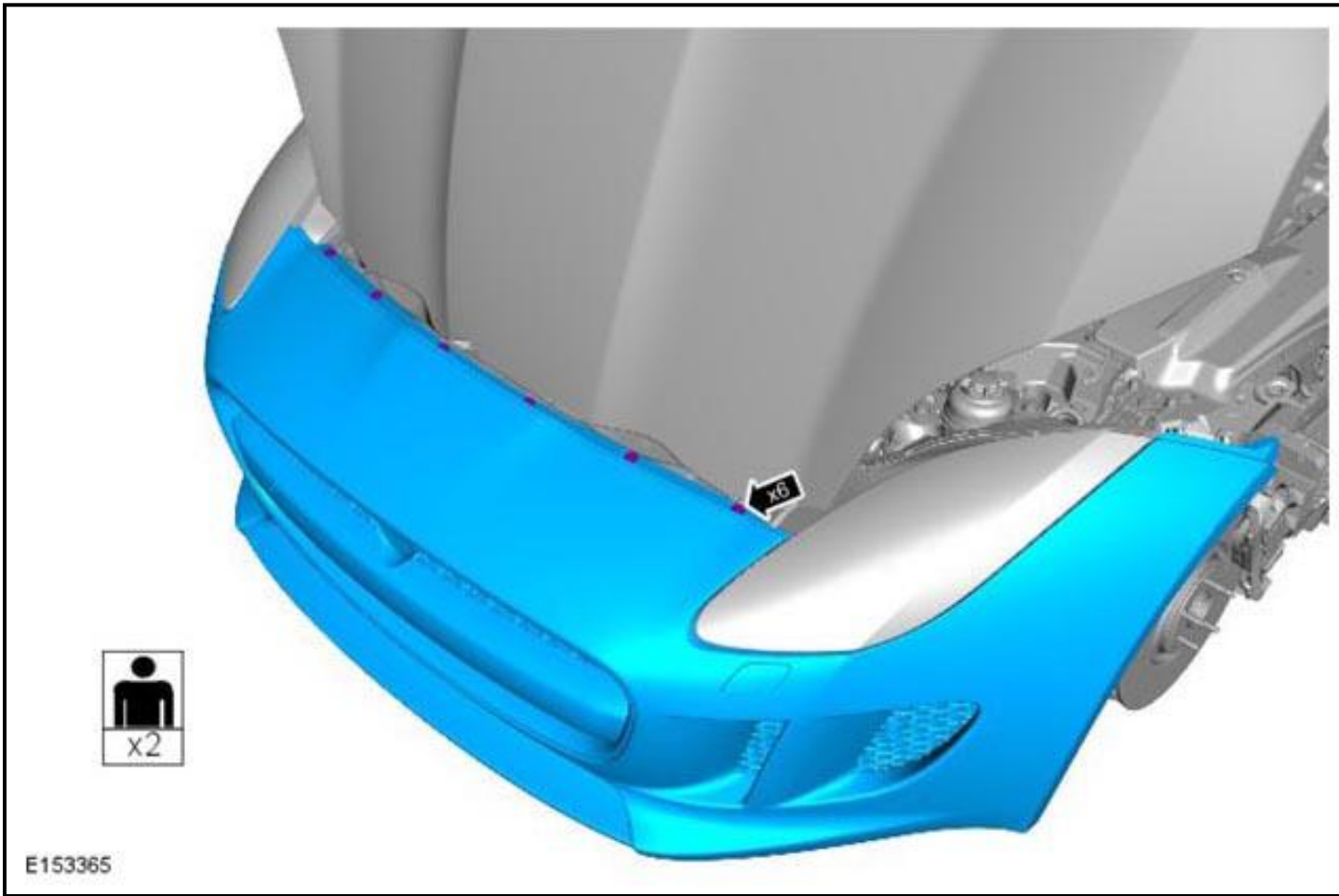
6. **NOTE:** Repeat the procedure for the other side.



Release the front bumper side fixings.

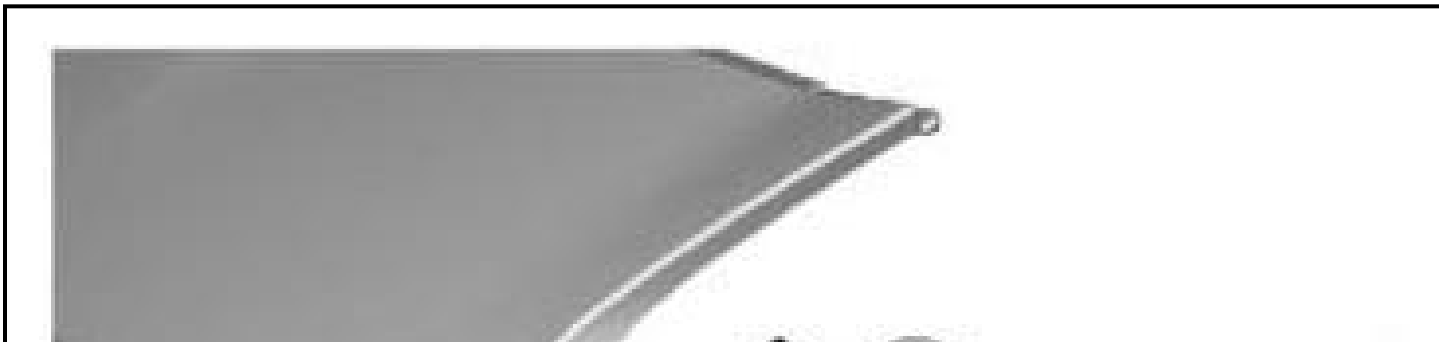
7. **CAUTION:** Always protect paintwork and glass when removing exterior components.

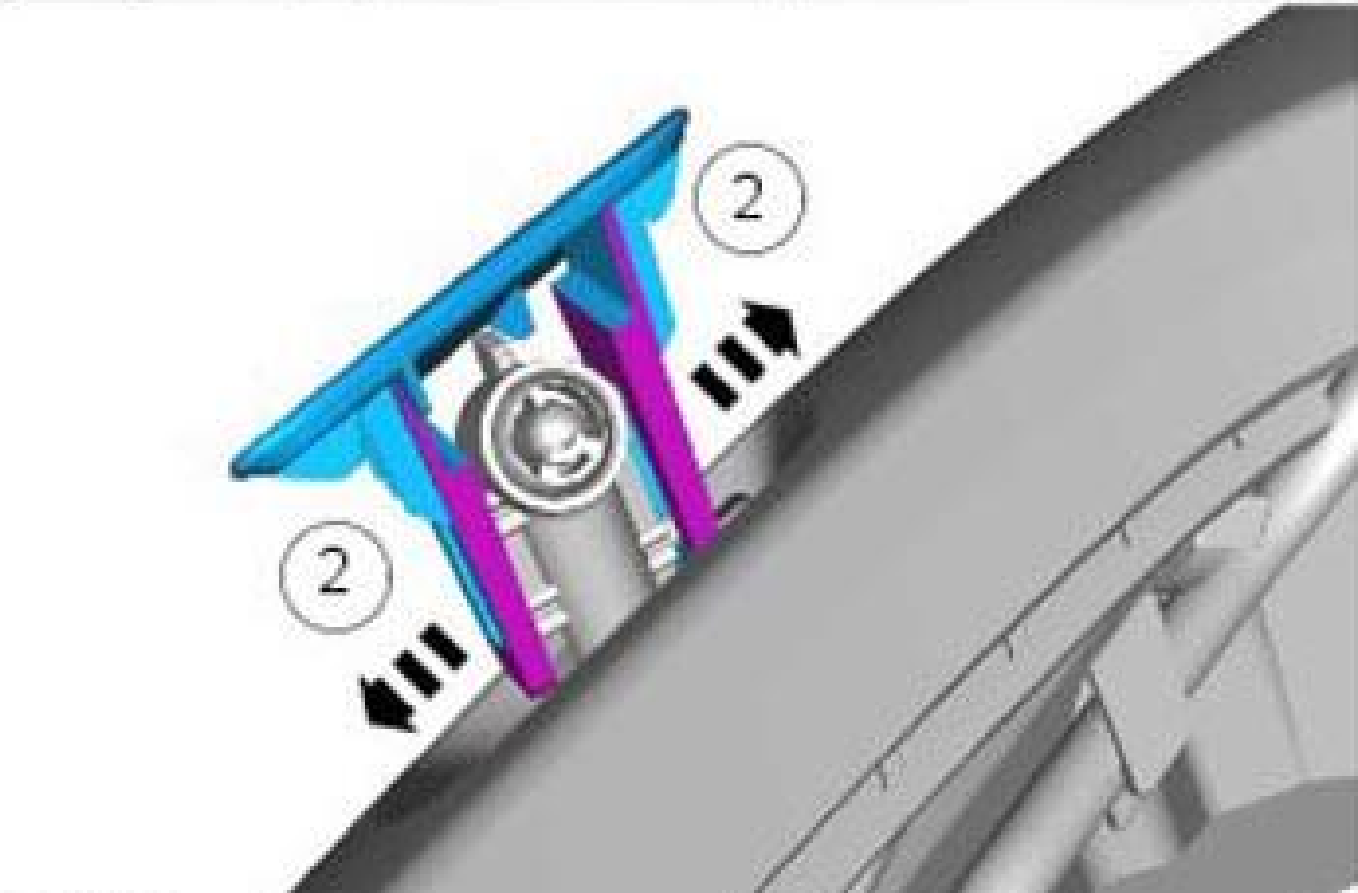
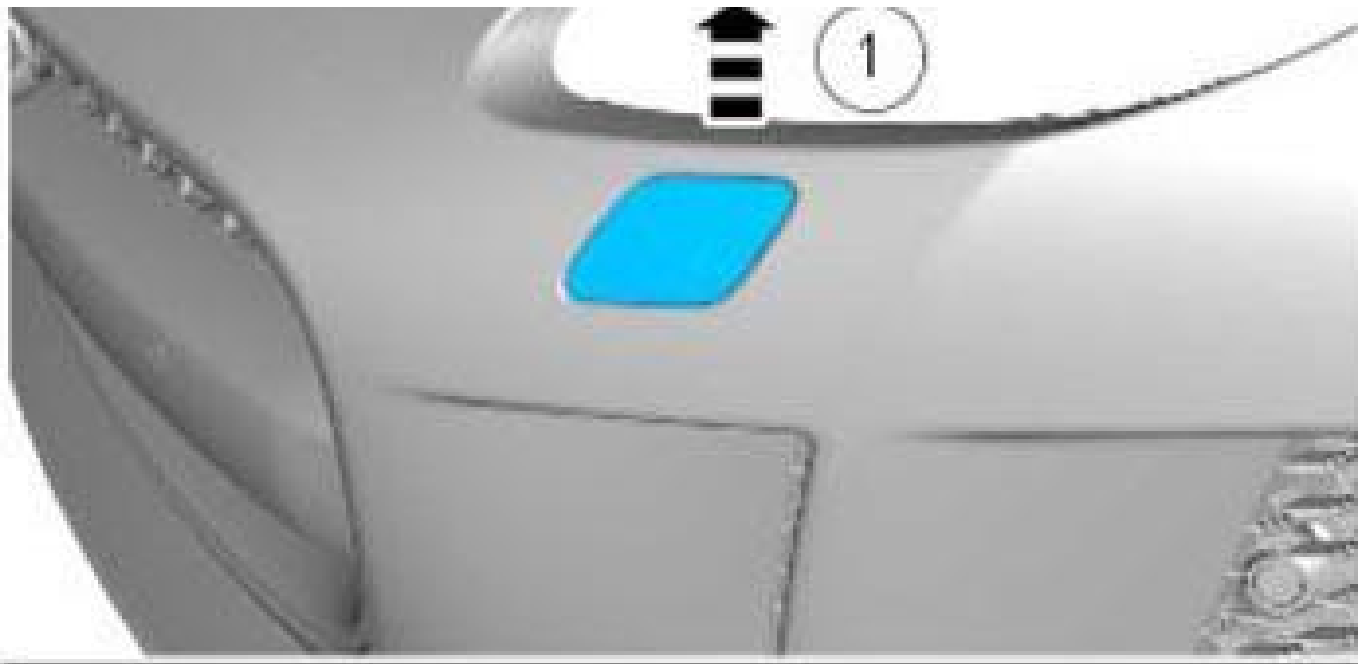
NOTE: Do not disassemble further if the component is removed for access only.



Remove the front bumper cover.

8. **NOTE:** Repeat the procedure for the other side.

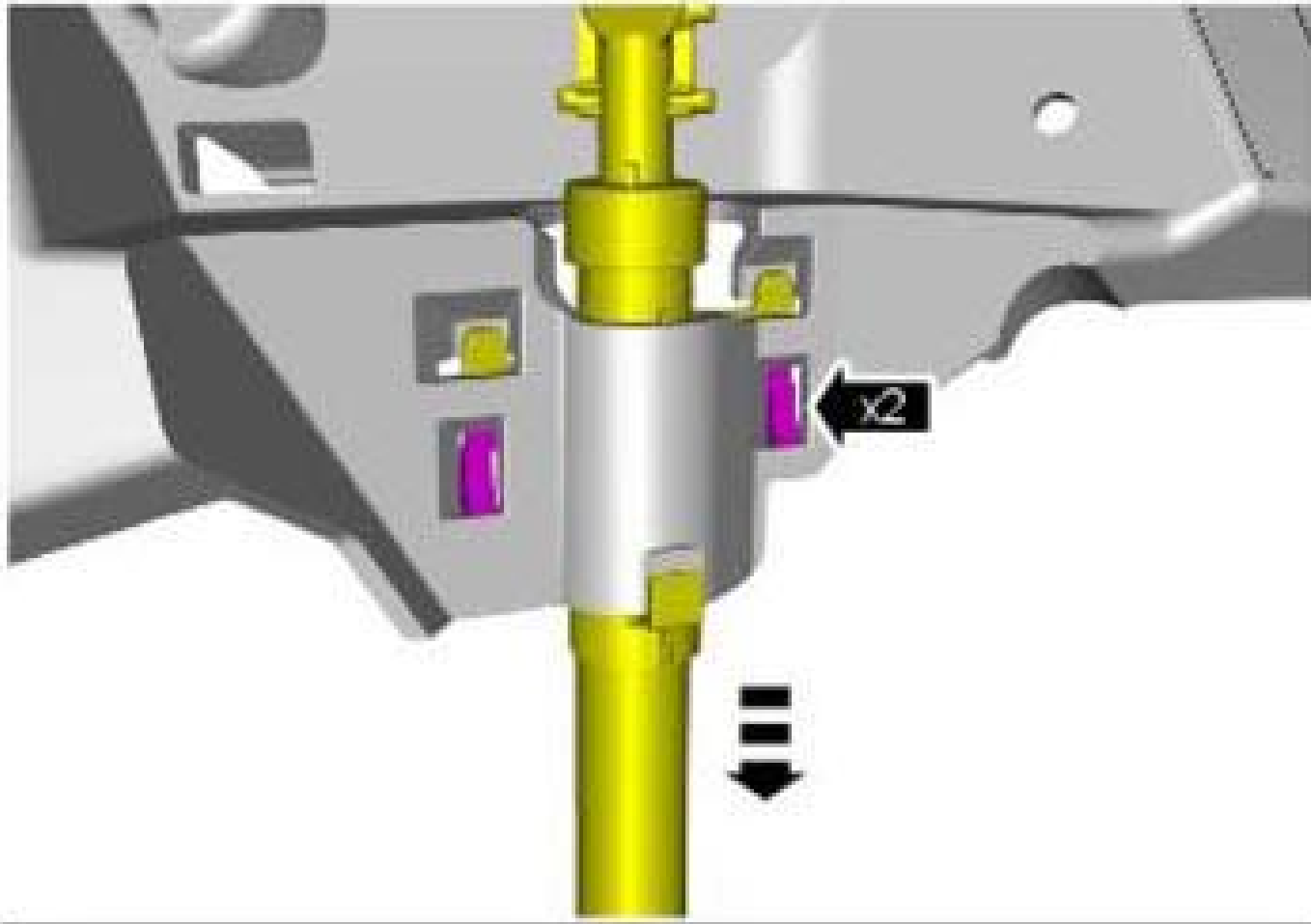


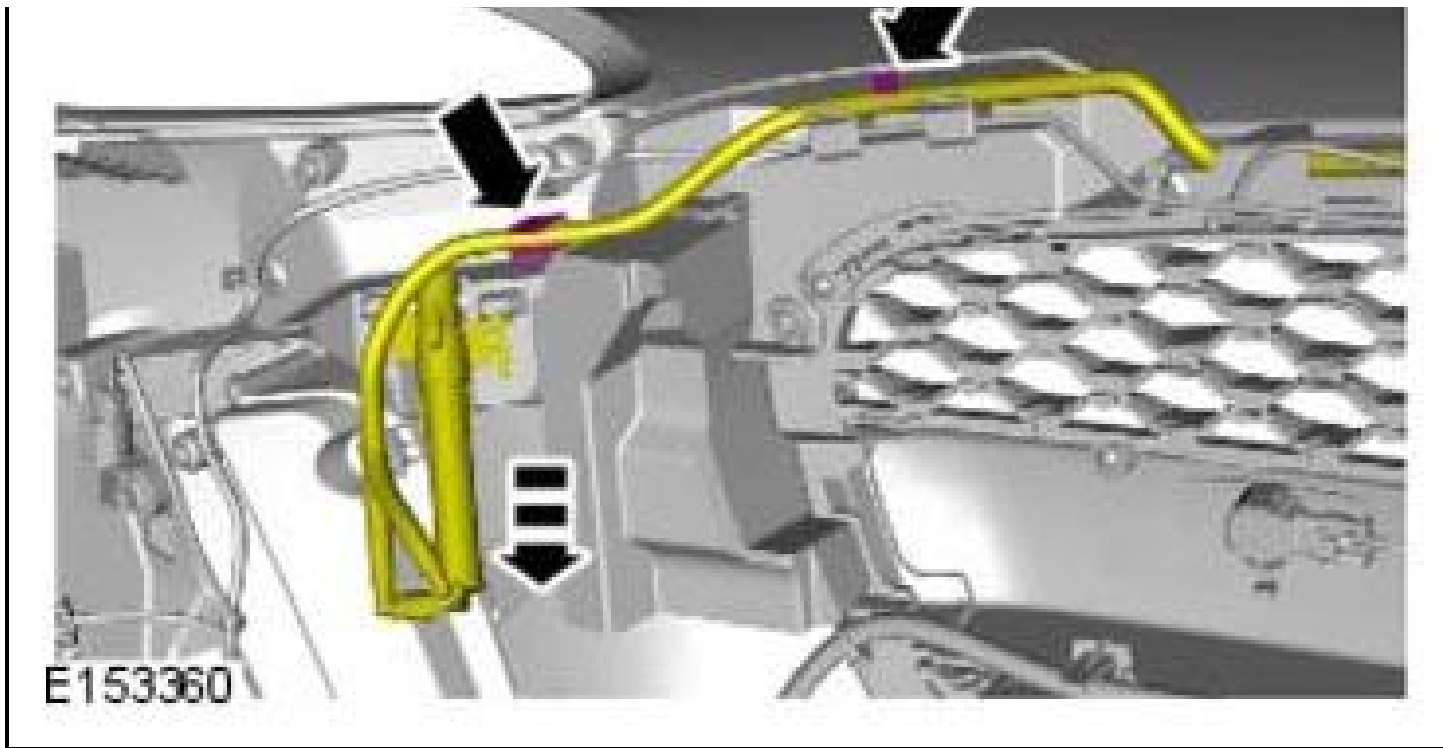


E153359

Remove the headlamp washer cover.

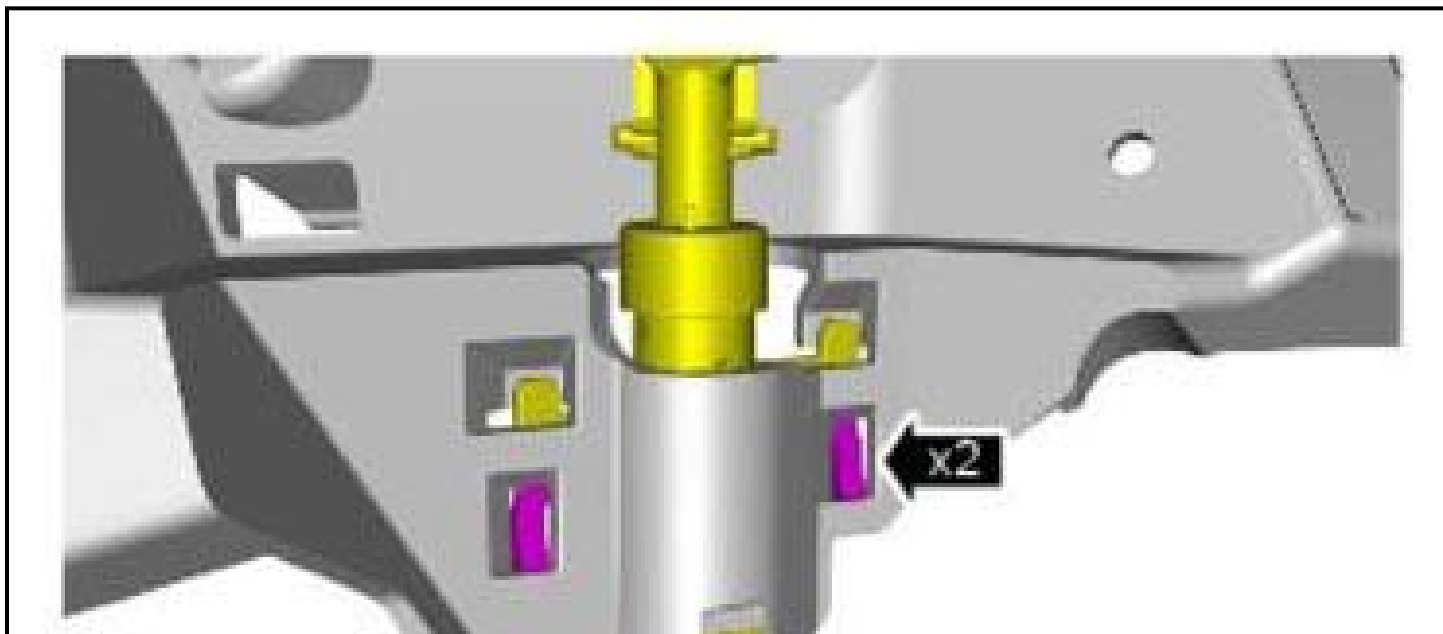
9. **CAUTION:** Take extra care not to damage the clips.

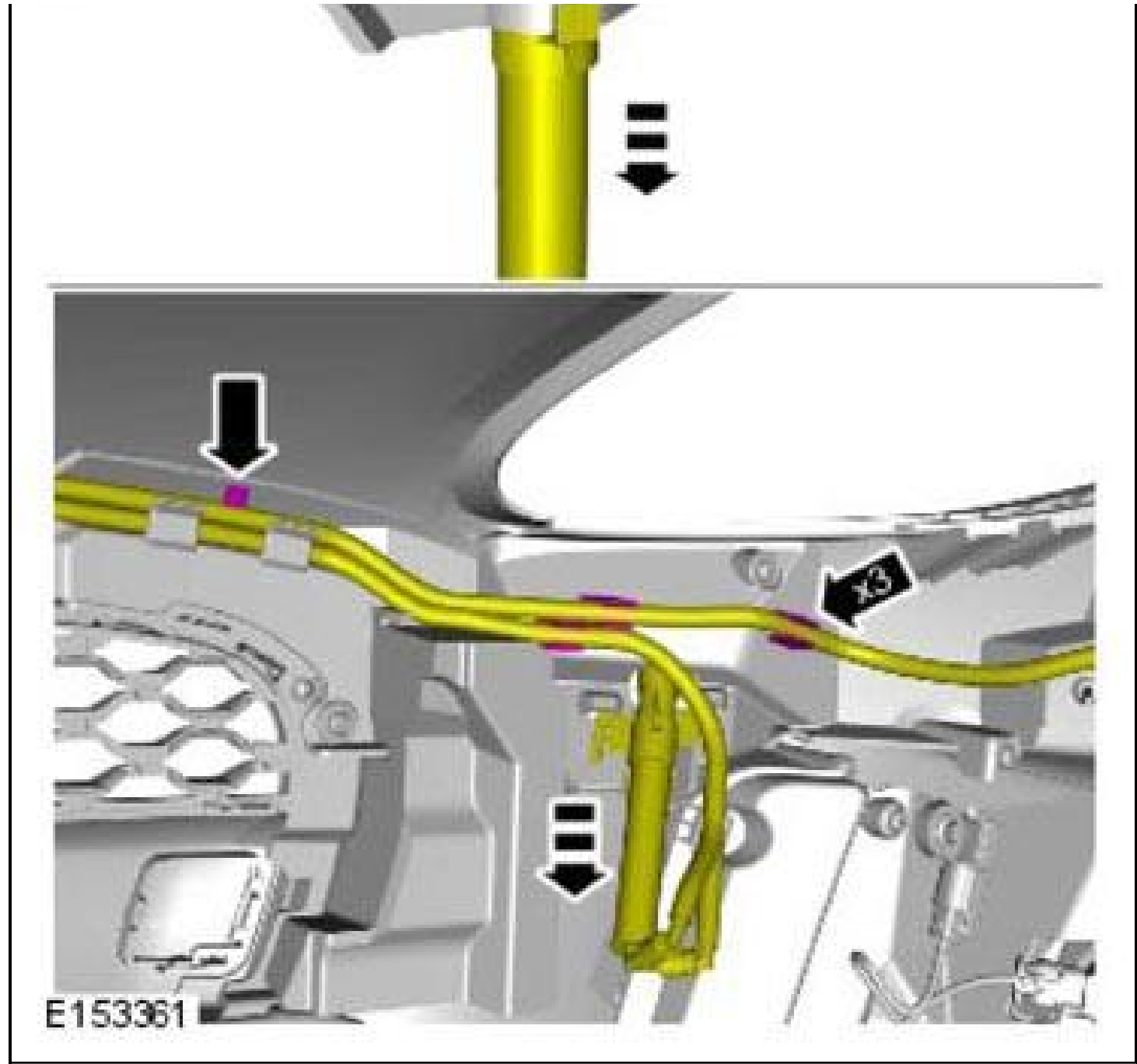




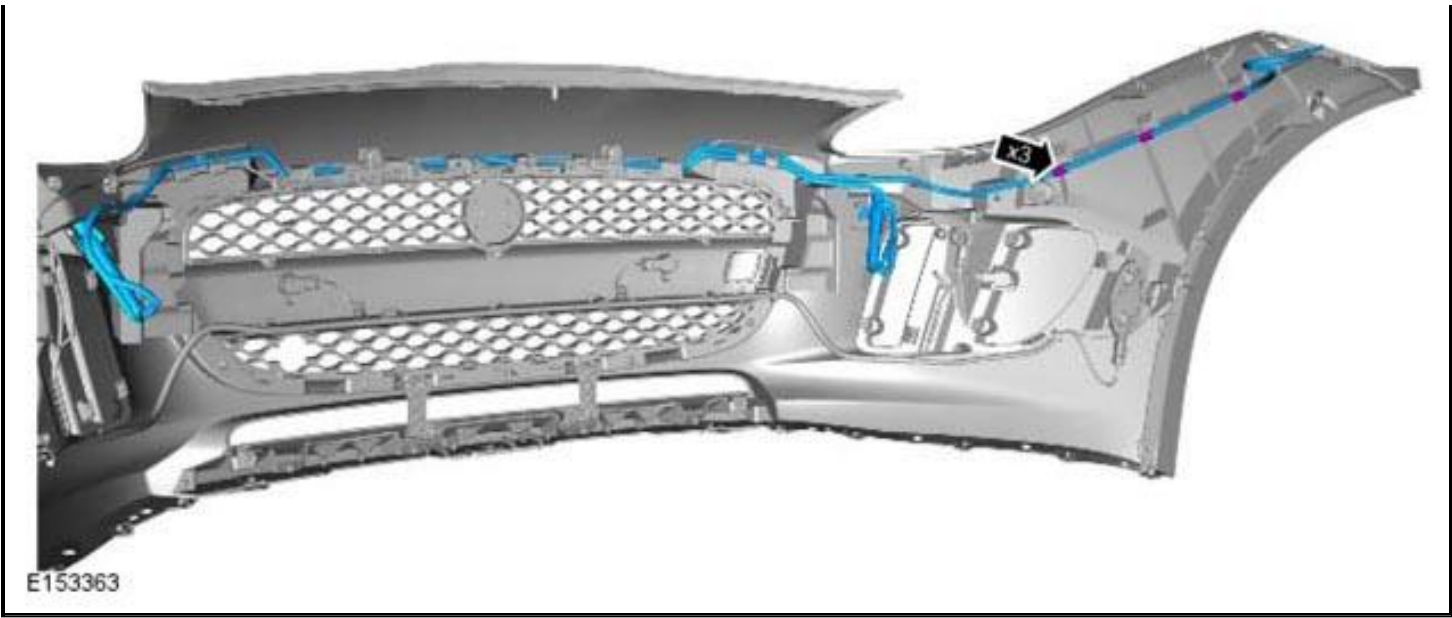
Release the washer jet hose.

10. **CAUTION:** Take extra care not to damage the clips.



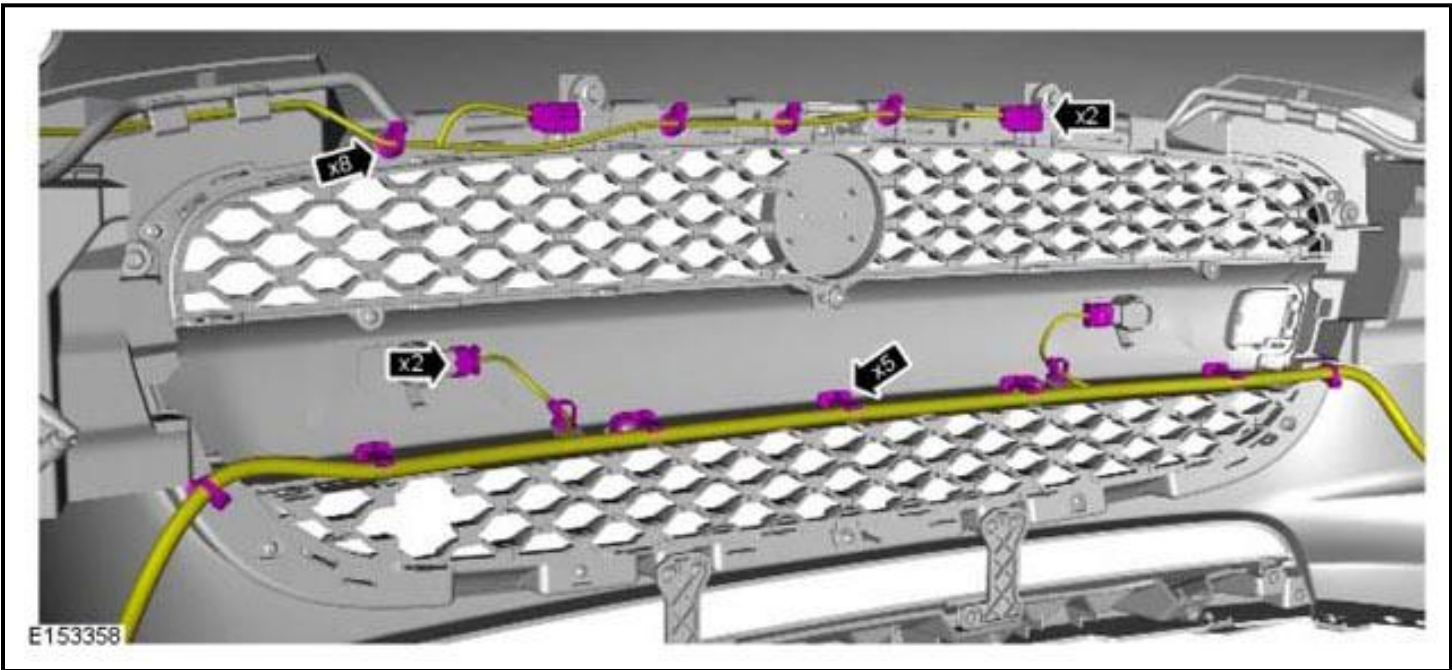


Release the washer jet hose.



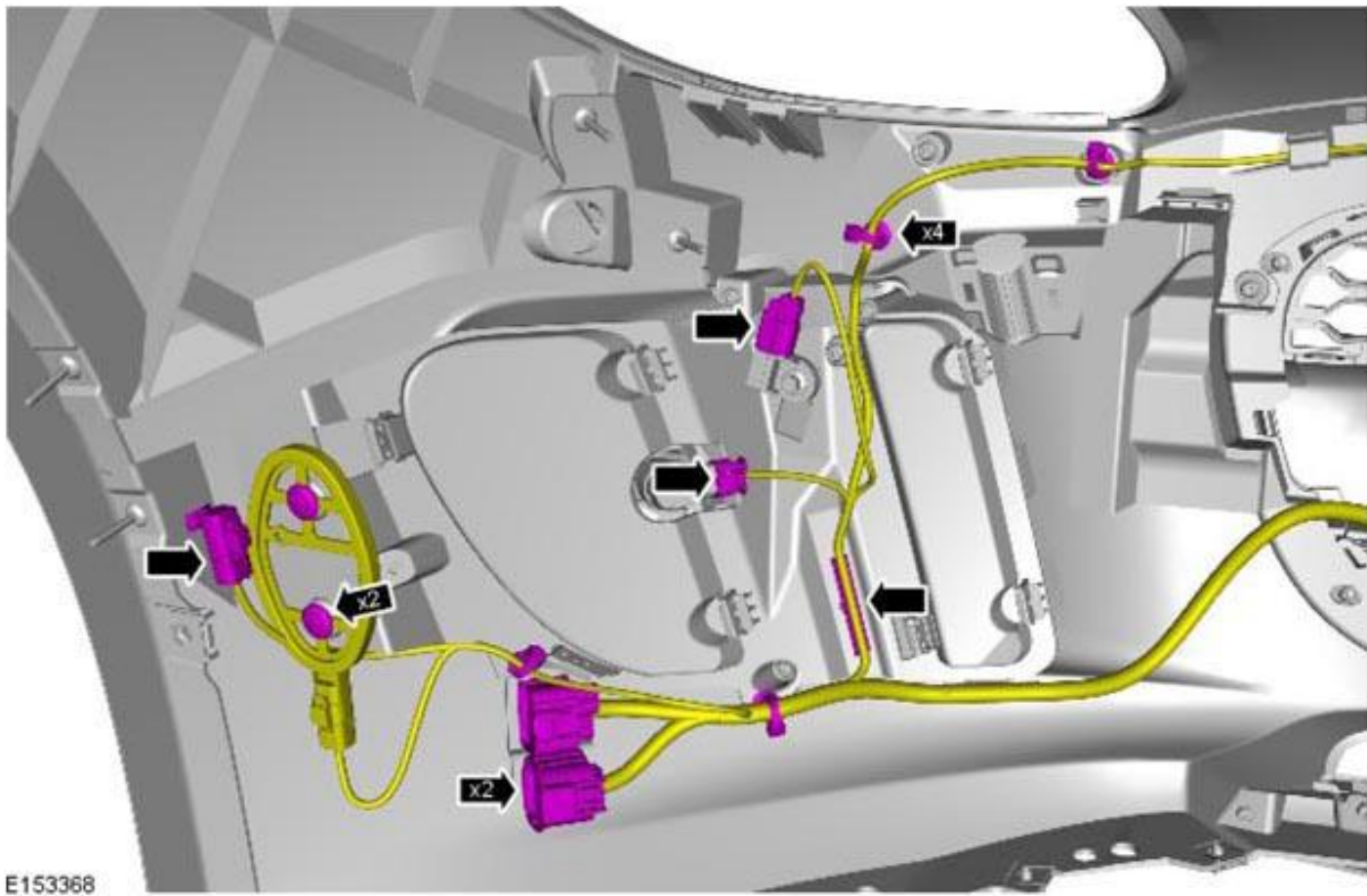
Remove the washer jet hose.

12.



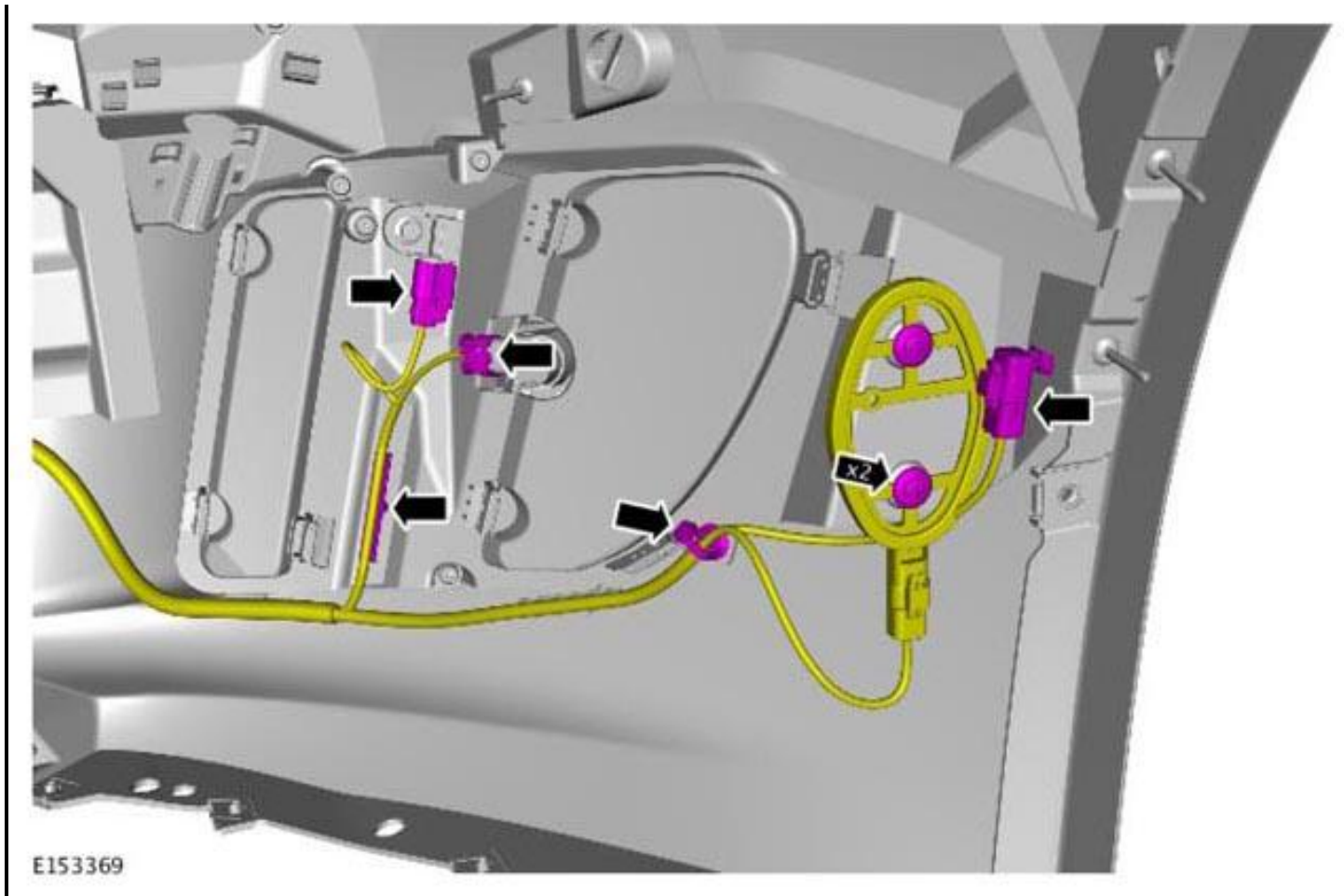
Disconnect the electrical connectors.

13.



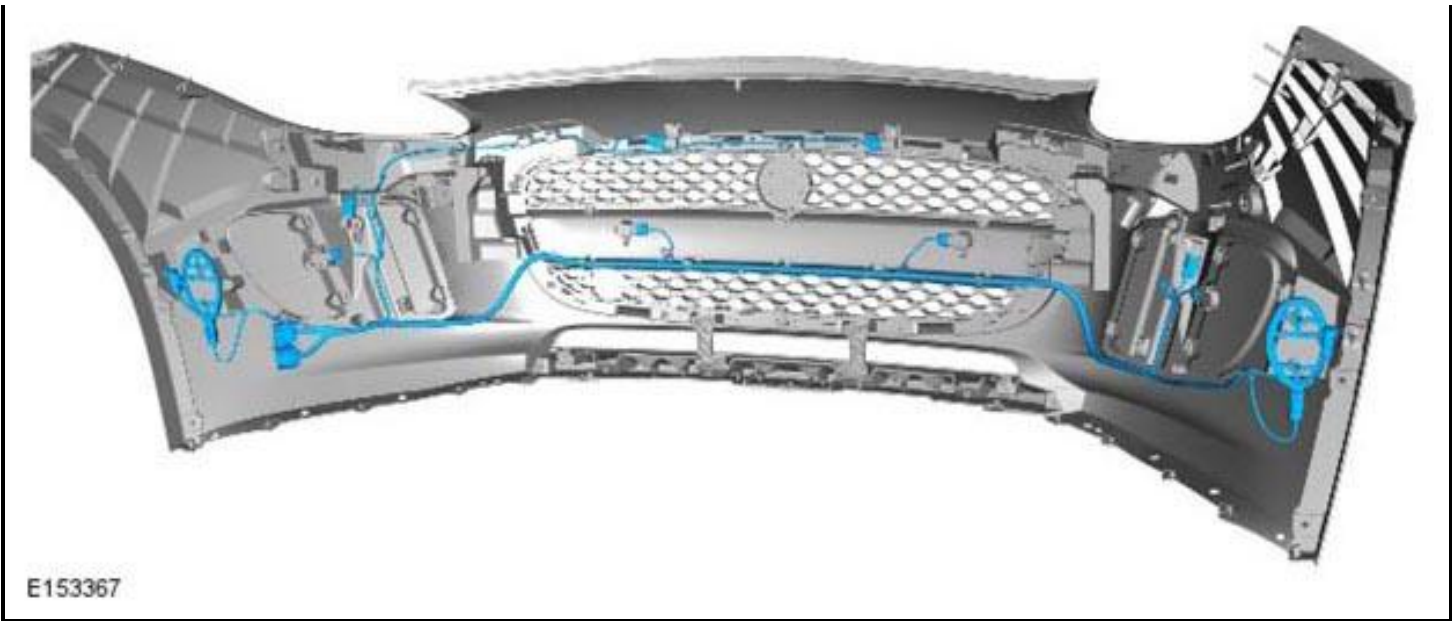
1. Disconnect the electrical connectors.
1. Release the Tire Pressure Monitoring System (TPMS) receiver.

14.



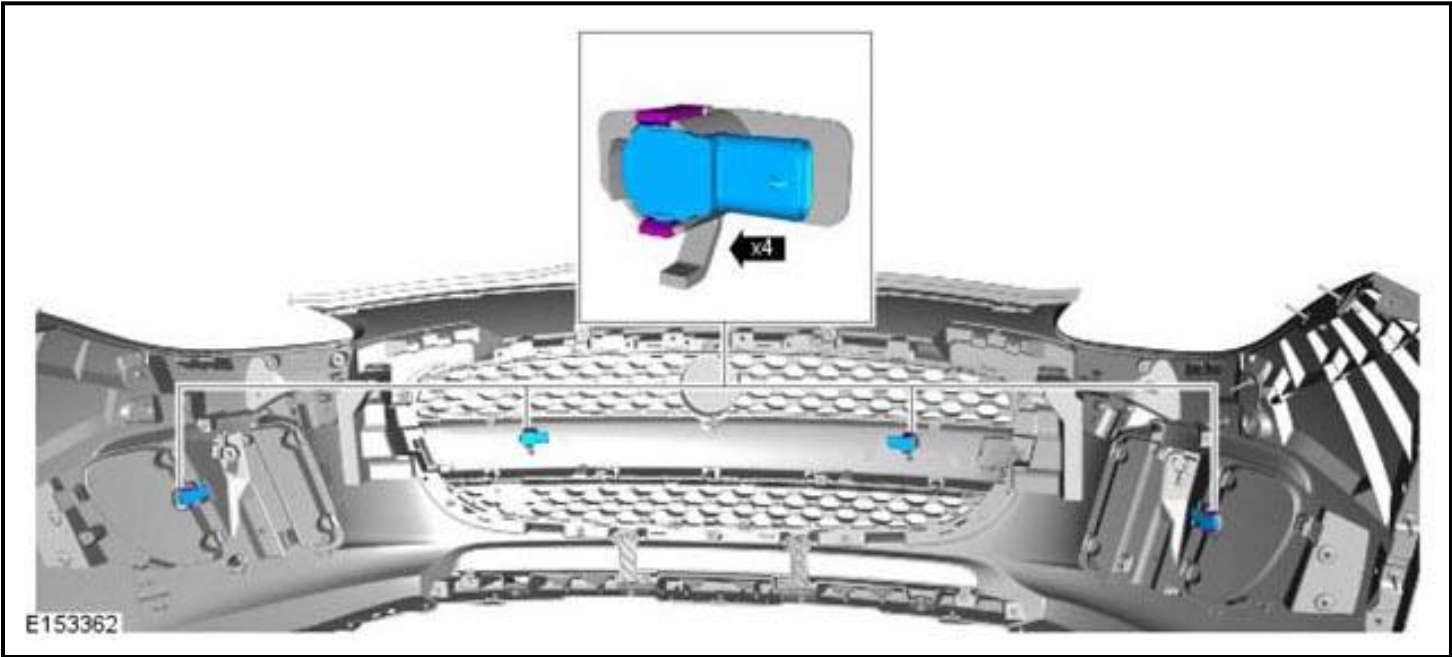
1. Disconnect the electrical connectors.
1. Release the Tire Pressure Monitoring System (TPMS) receiver.

15.



Remove the wiring harness.

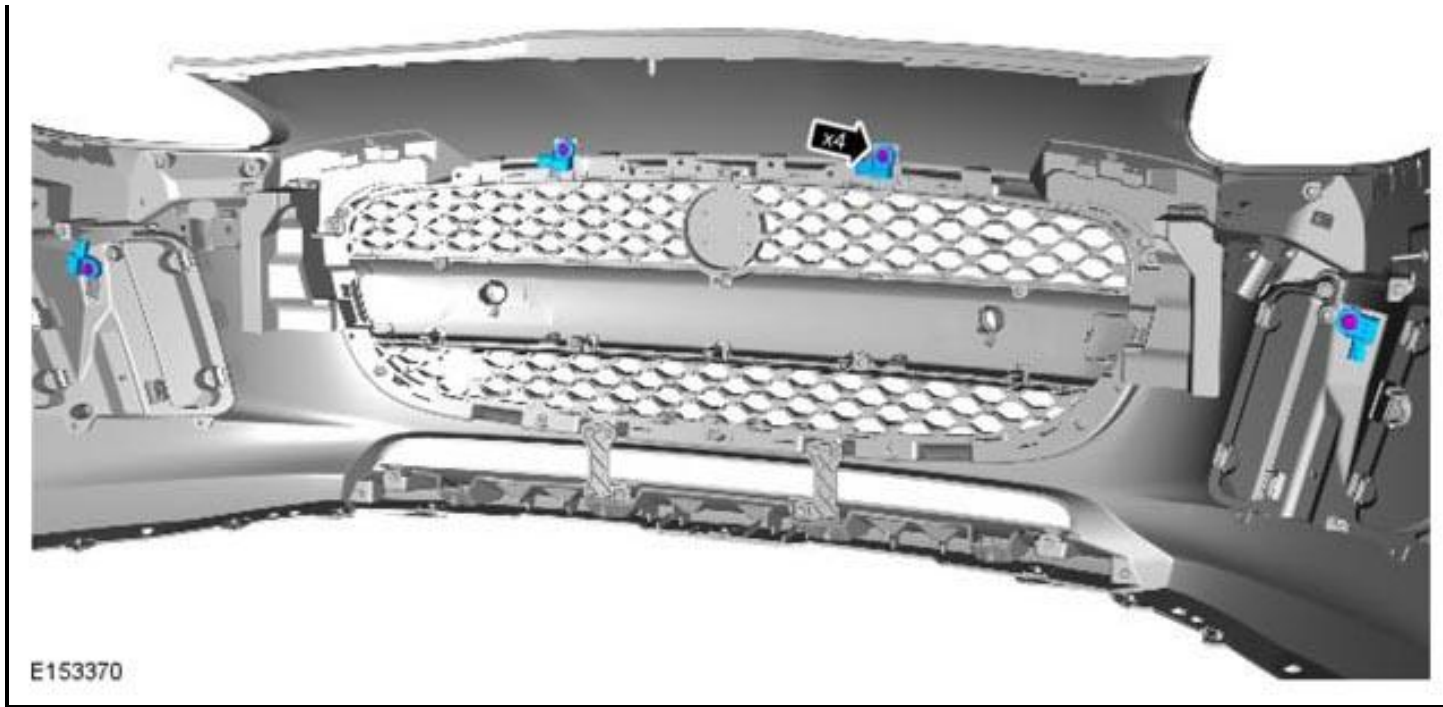
16.



Remove the front parking aid sensors.

17.





Remove the pedestrian impact sensors.

INSTALLATION

1. Install the pedestrian impact sensors.

Torque Specification: 3 Nm

2. Install the parking aid sensors.
3. Install the wiring harness
4. Install the Tire Pressure Monitoring System (TPMS) receiver.
5. Secure the wiring harness.
6.
 1. Install the washer jet hose.
 1. Secure the washer jet hose.
7. Install the washer jet covers.
8. Install the front bumper cover.

Torque Specification: 4 Nm

9. **NOTE:** Repeat the procedure for the other side.

Release the front bumper side fixings.

Torque Specification: 4 Nm

10. Connect the washer jet hose.
11. Connect the electrical connectors.
12. Install the radiator splash shield.

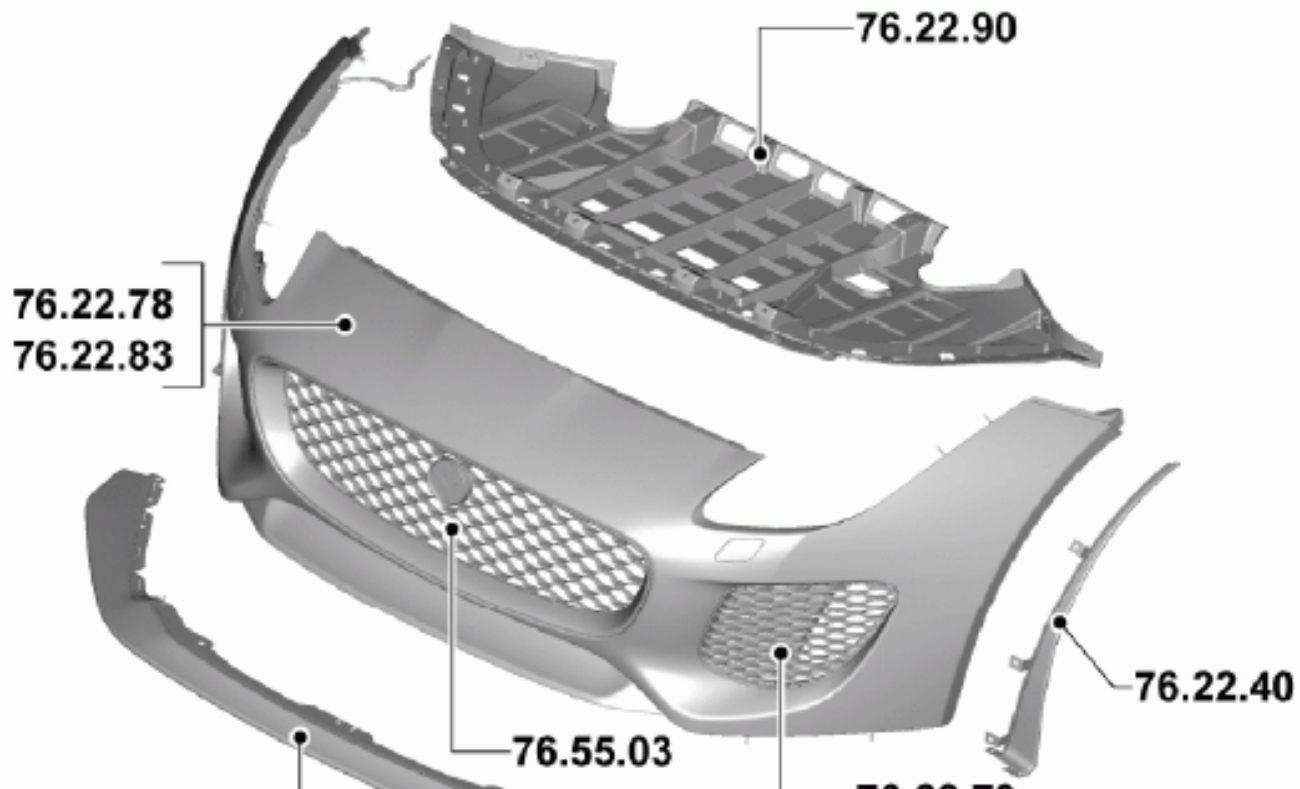
Refer to: [Radiator Splash Shield \(G1580217\)](#) (Removal and Installation).

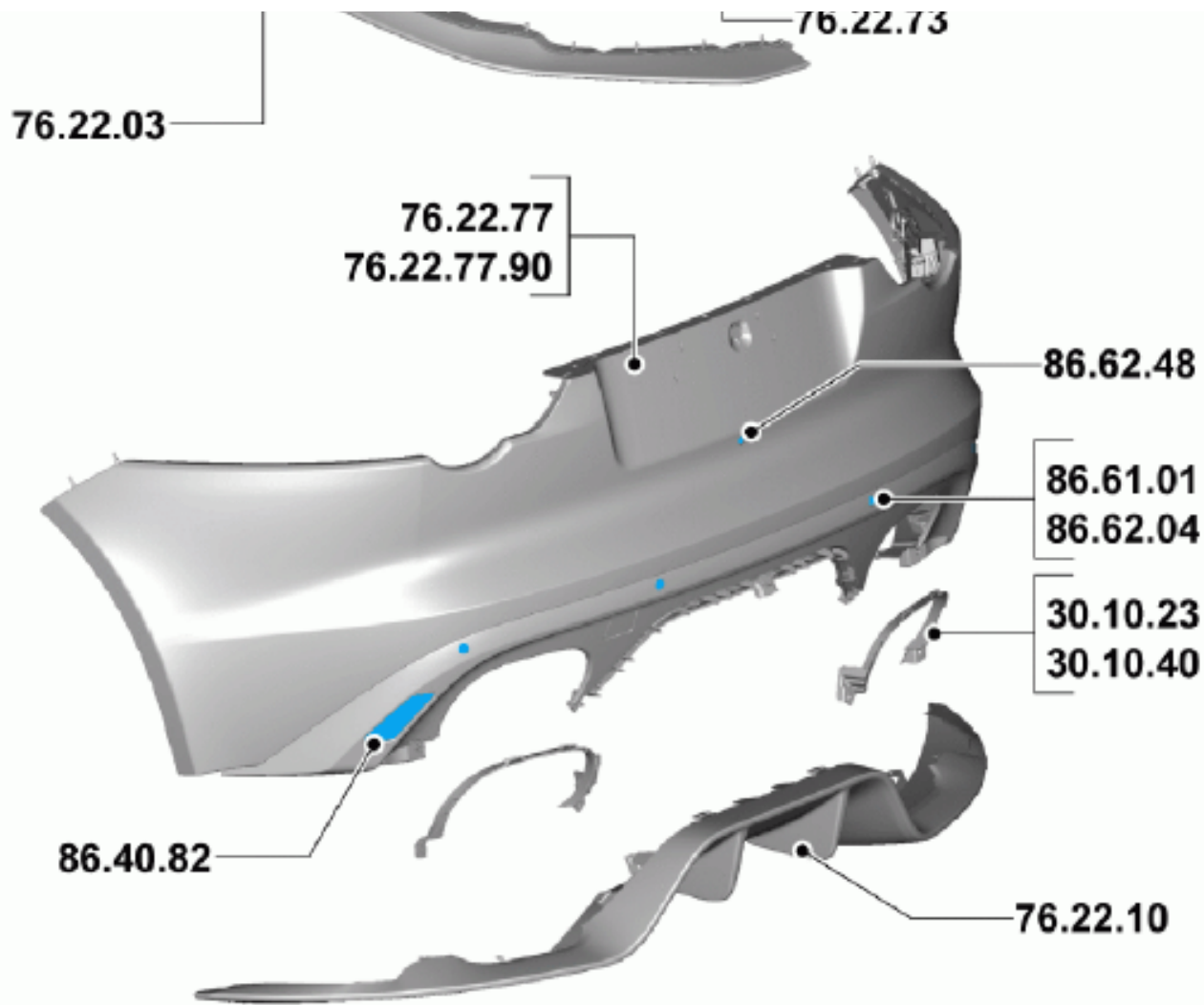
13. Install the wheel arch liner.

Refer to: [Fender Splash Shield \(G1580215\)](#) (Removal and Installation).

FRONT BUMPER COVER (G1926964)

76.22.78	FRONT BUMPER COVER - RENEW	PROJECT 7	2.1
----------	----------------------------	-----------	-----





JRT1672

76.22.78

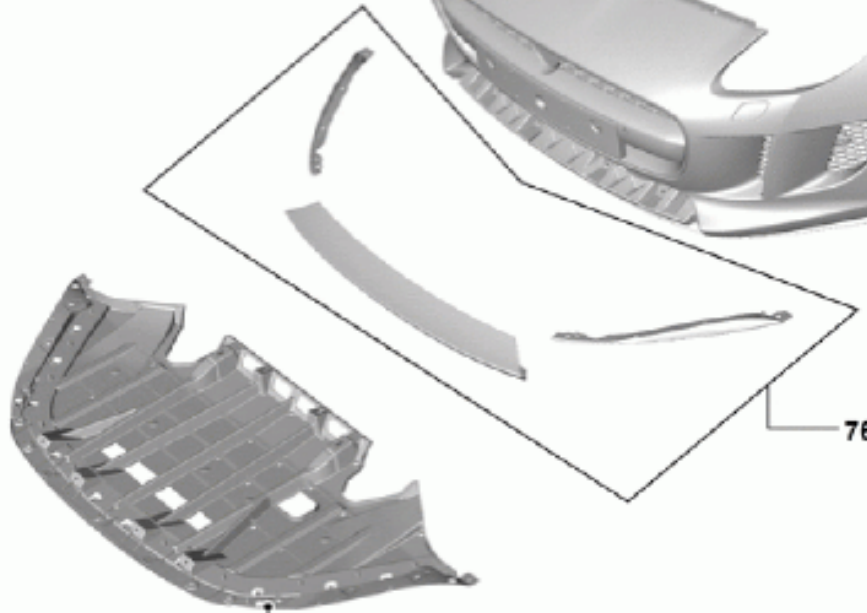
FRONT BUMPER COVER - RENEW

SVR

2.6



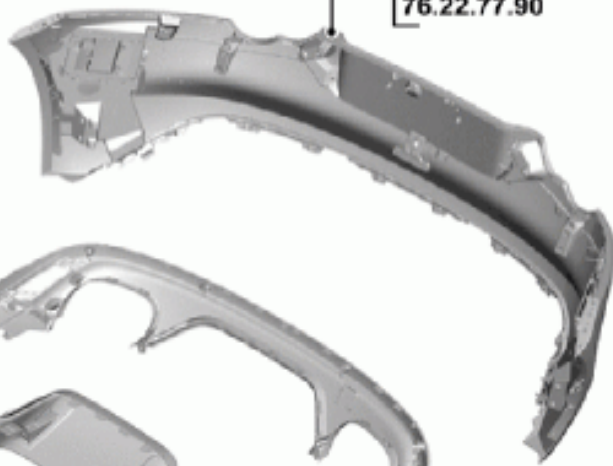
76.22.83



76.22.30

76.22.90

76.22.77
76.22.77.90



76.22.92



76.22.10

REMOVAL

NOTE:

- Removal steps in this procedure may contain installation details.
- Some variation in the illustrations may occur, but the essential information is always correct.
- Some components shown removed for clarity.

1. **WARNING:** Make sure to support the vehicle with axle stands.

Raise and support the vehicle.

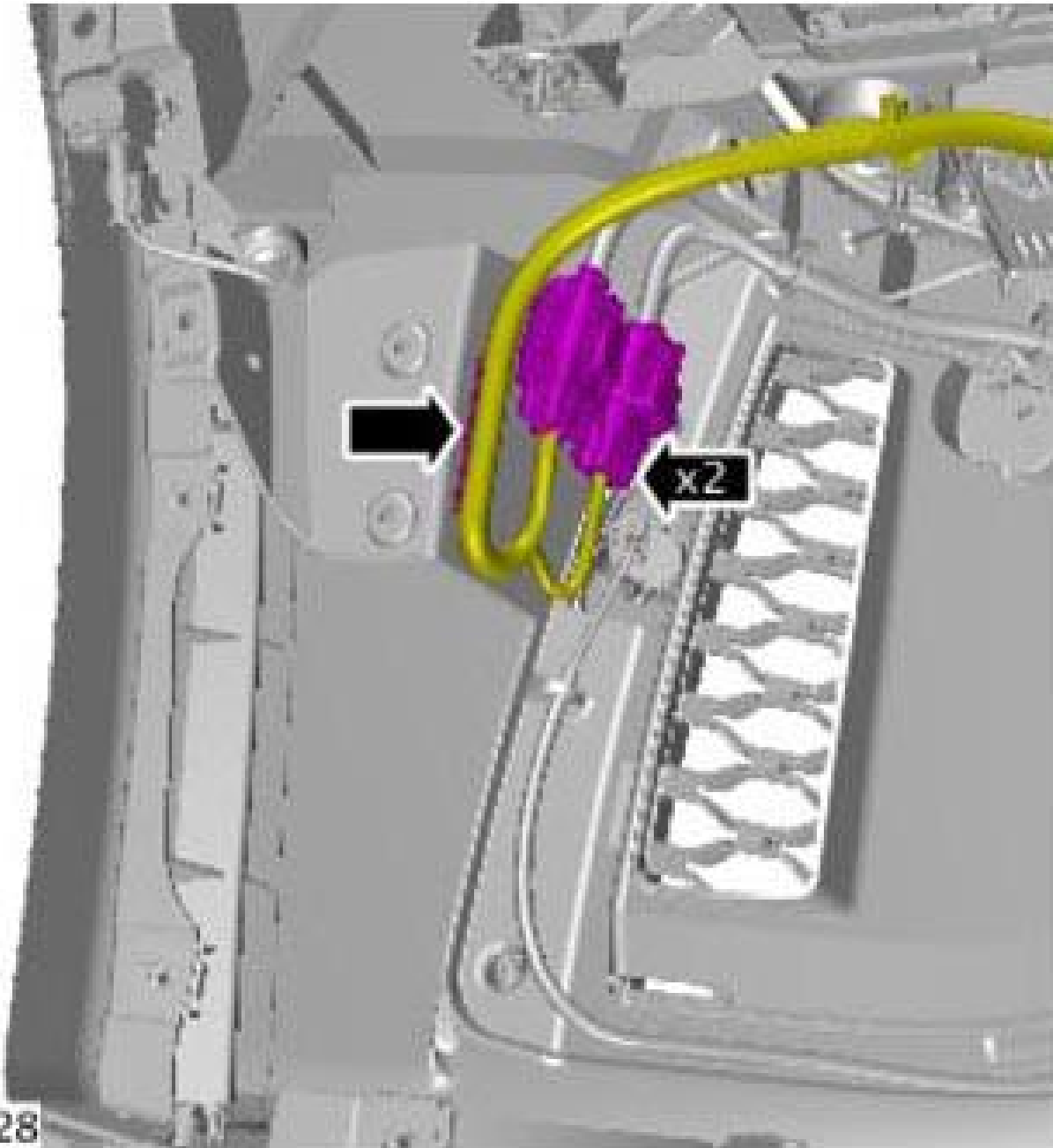
2. **NOTE:** The procedure must be carried out on both sides.

Refer to: [Fender Splash Shield \(G1580215\)](#) (Removal and Installation).

3. Refer to: [Front Splitter \(G1923709\)](#) (Removal and Installation).

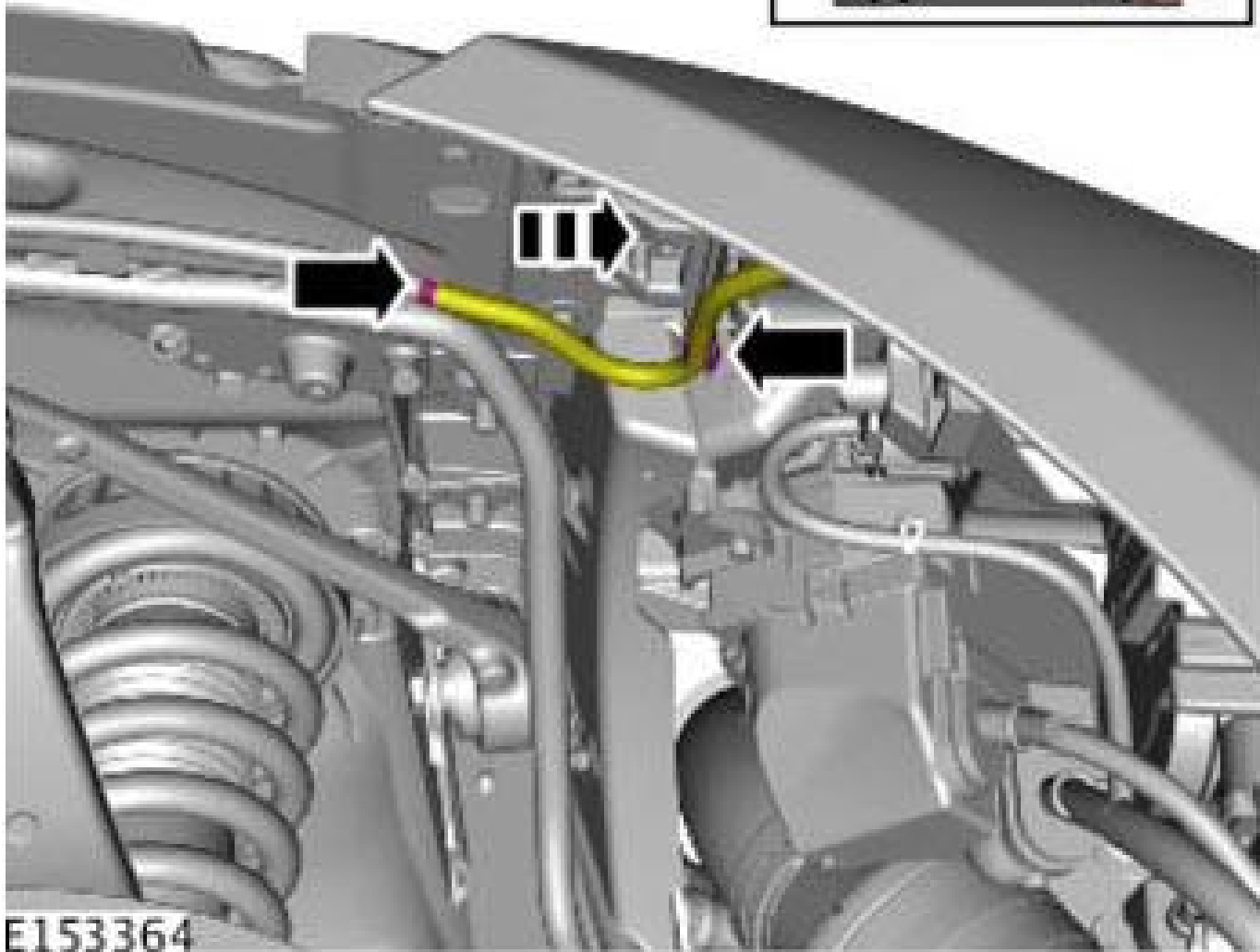
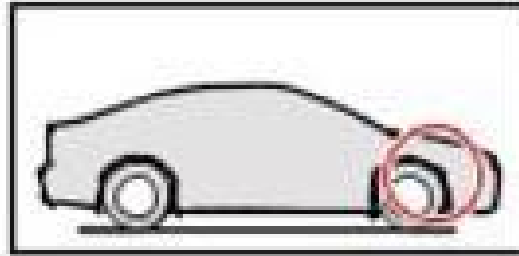
- 4.



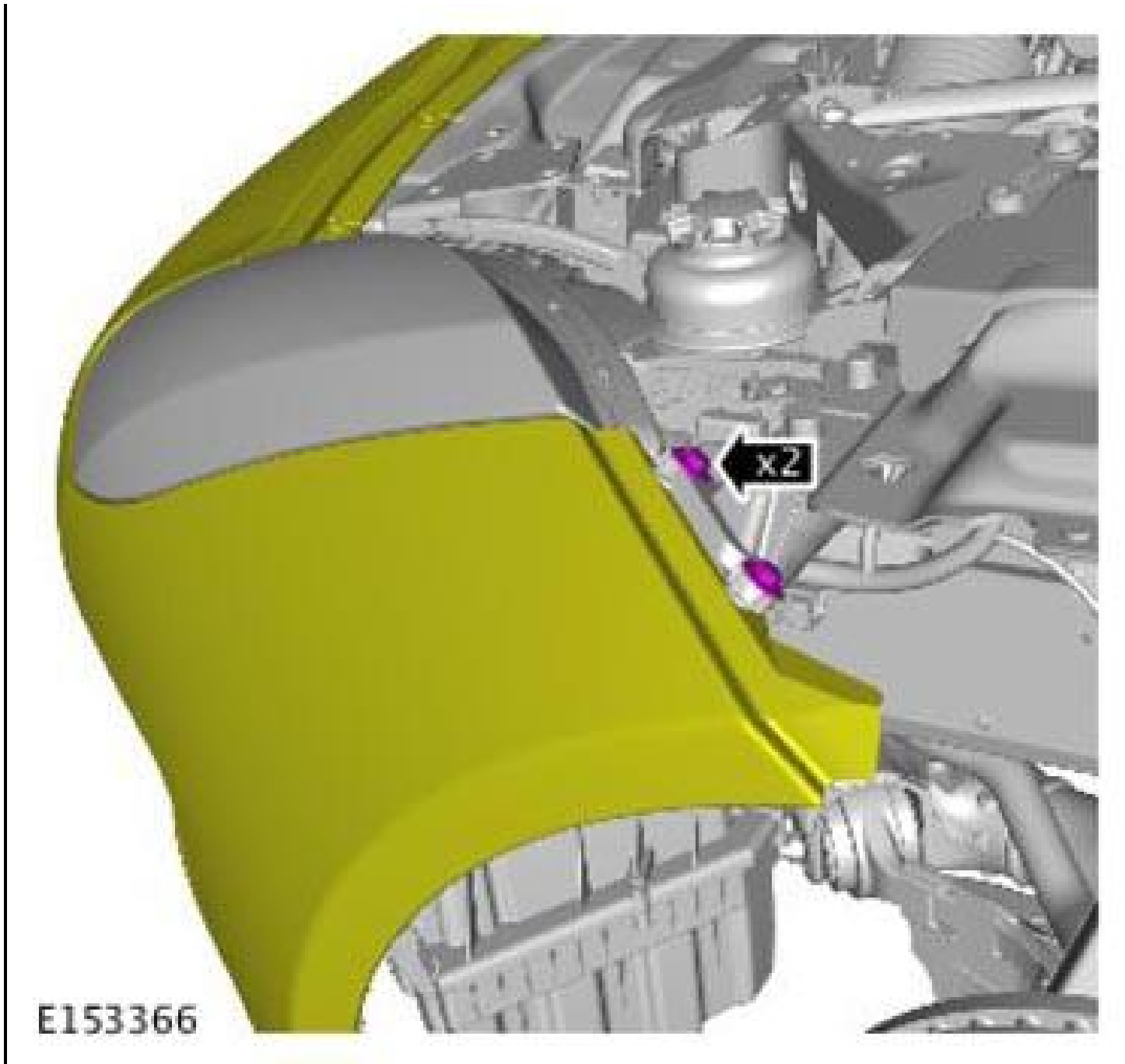


E185928

5.



6. **NOTE:** Repeat the procedure for the other side.

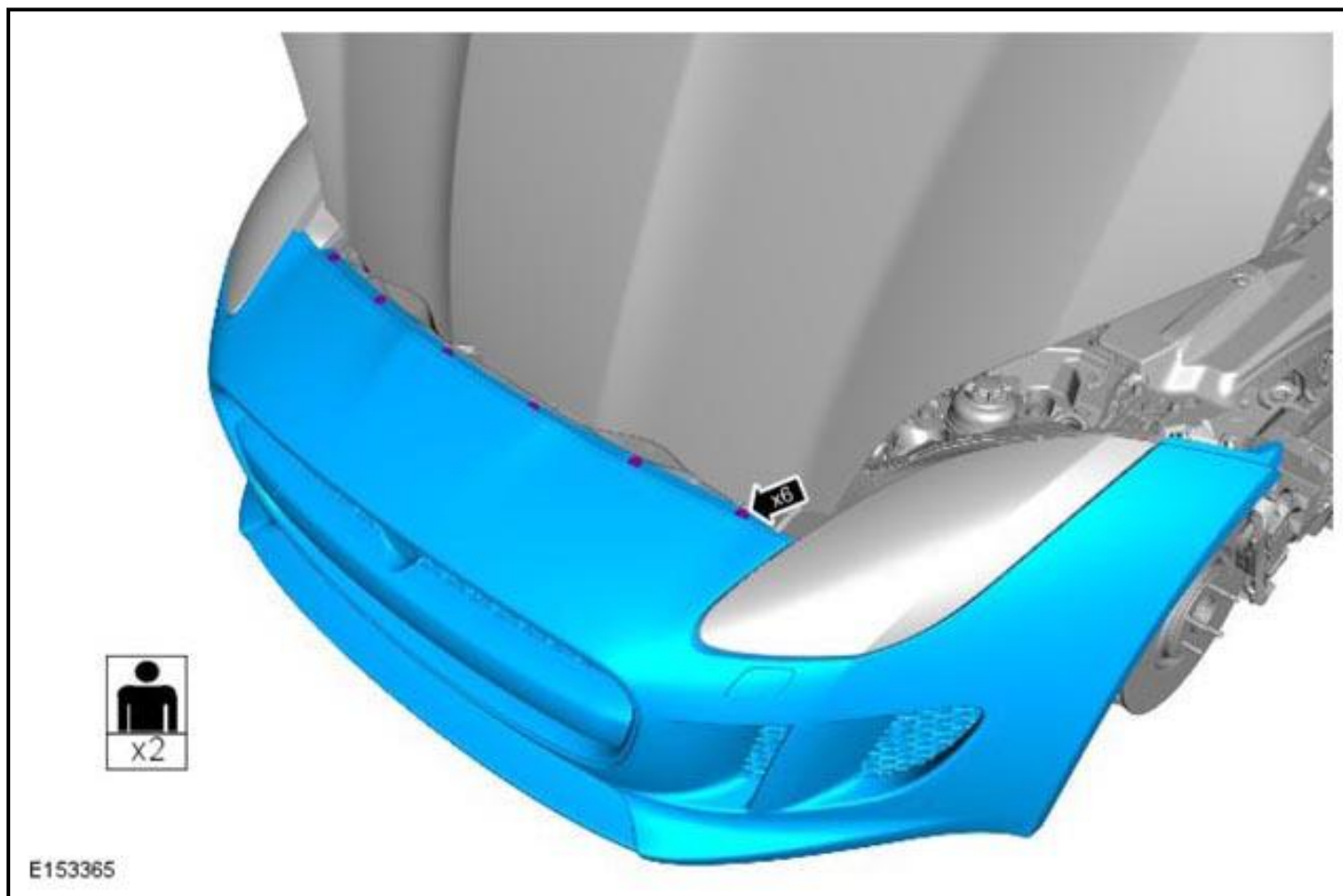


Torque : 4.1 Nm

7. **WARNING:** This step requires the aid of another technician.

CAUTION: Always protect paintwork and glass when removing exterior components.

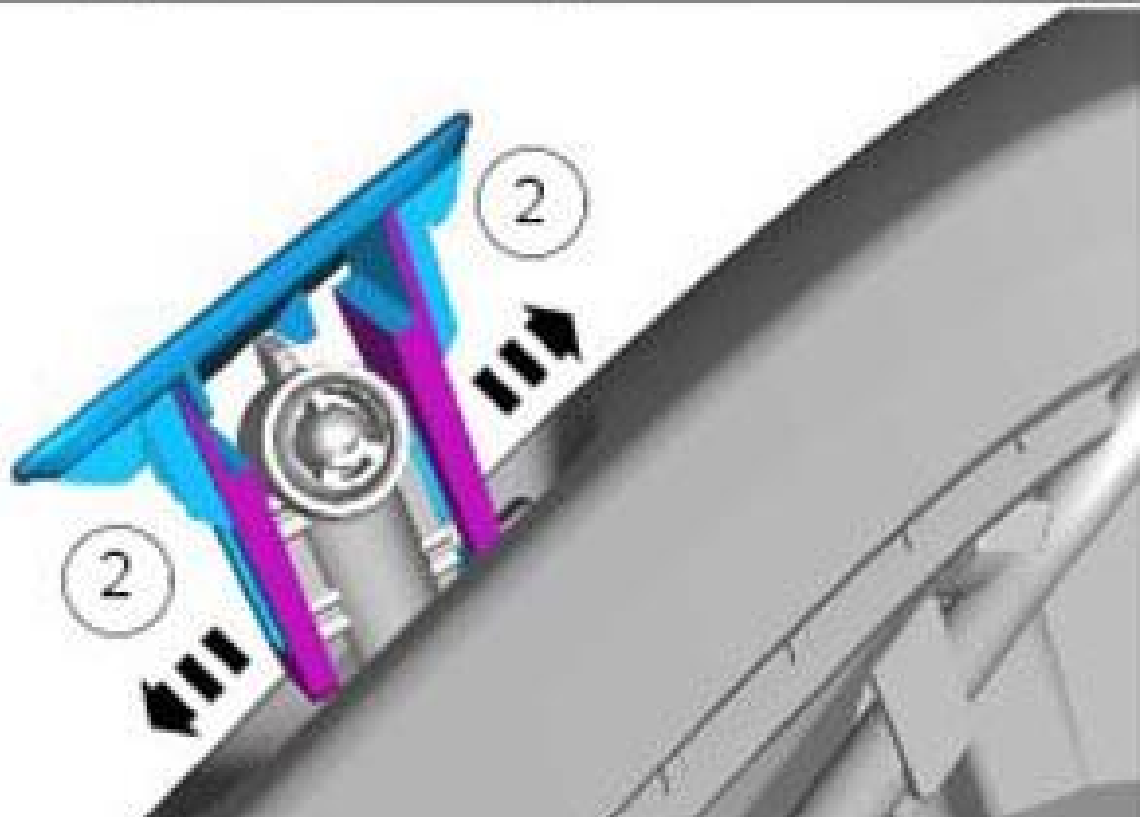
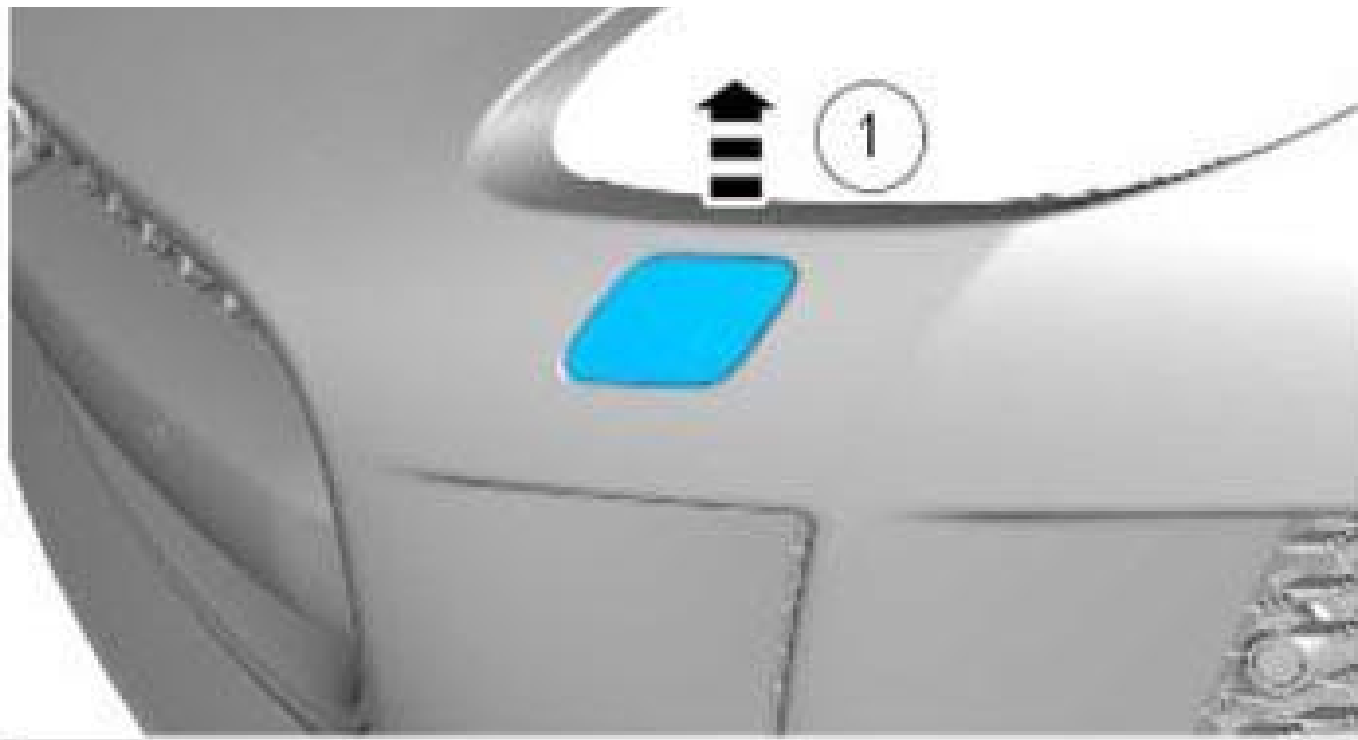
NOTE: Do not disassemble further if the component is removed for access only.



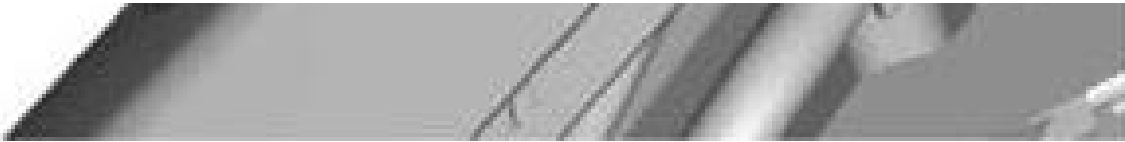
Torque Specification: 4.1 Nm

8. **NOTE:** Repeat the procedure for the other side.

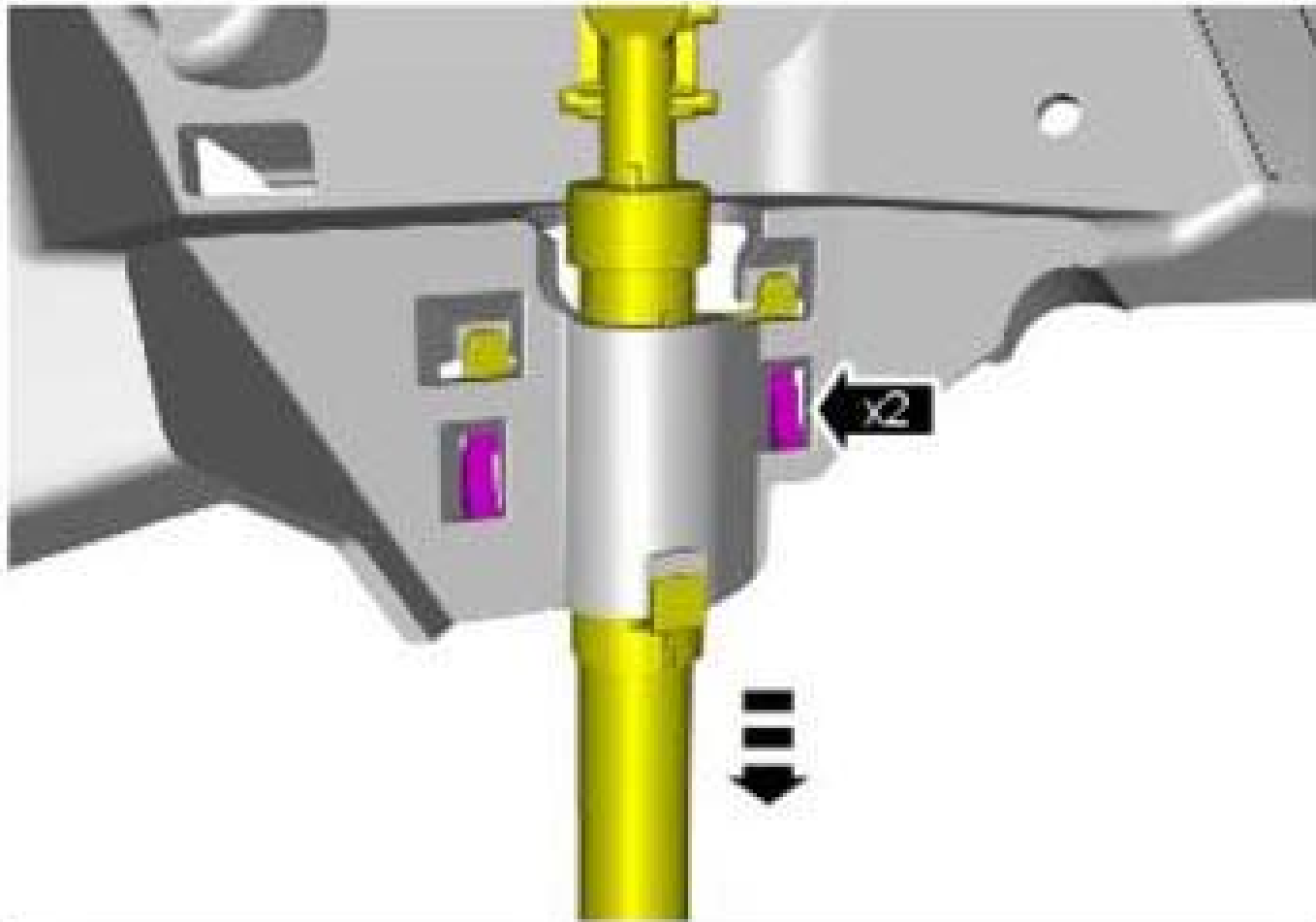


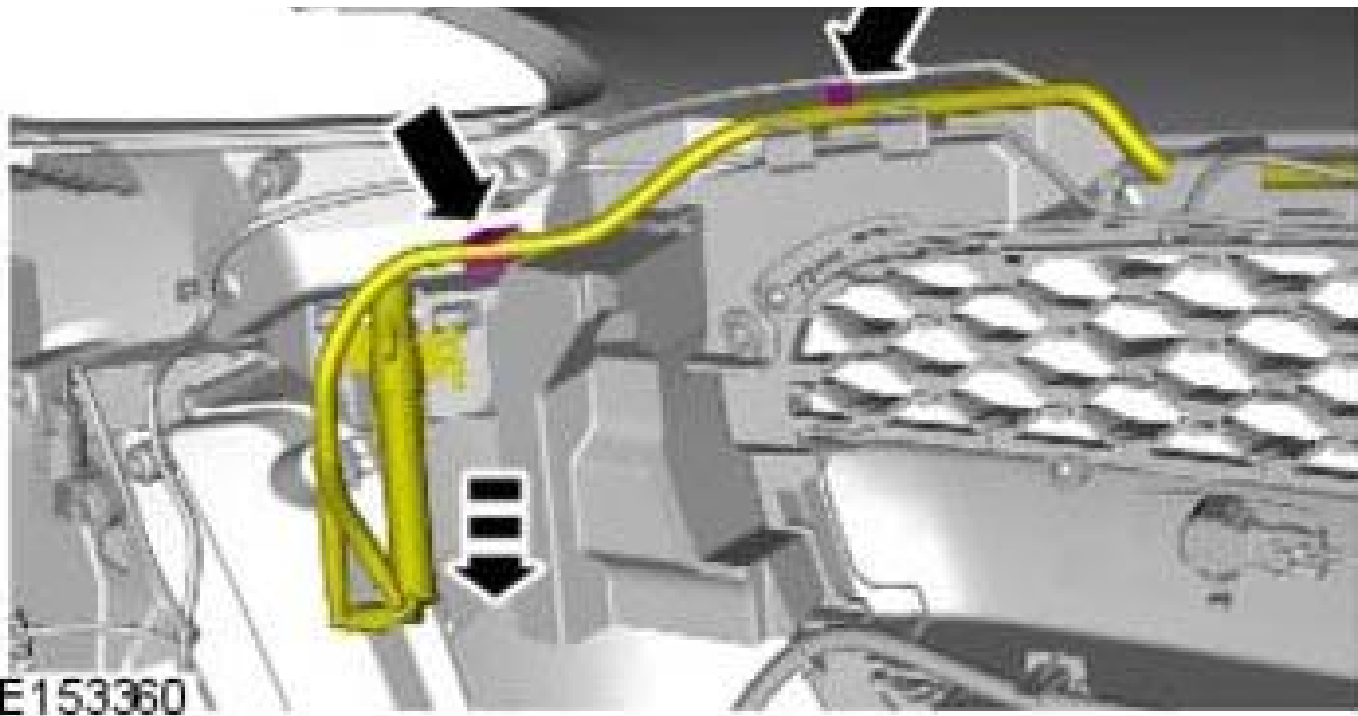


E153359



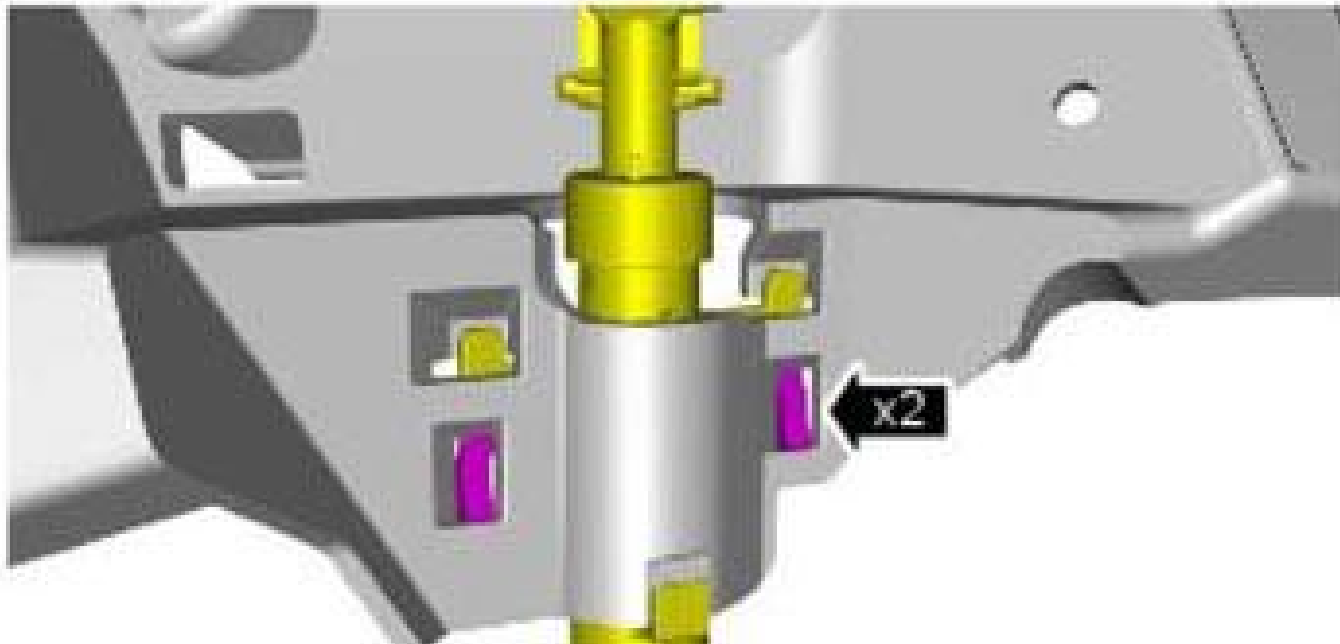
9. **CAUTION:** Take extra care not to damage the clips.

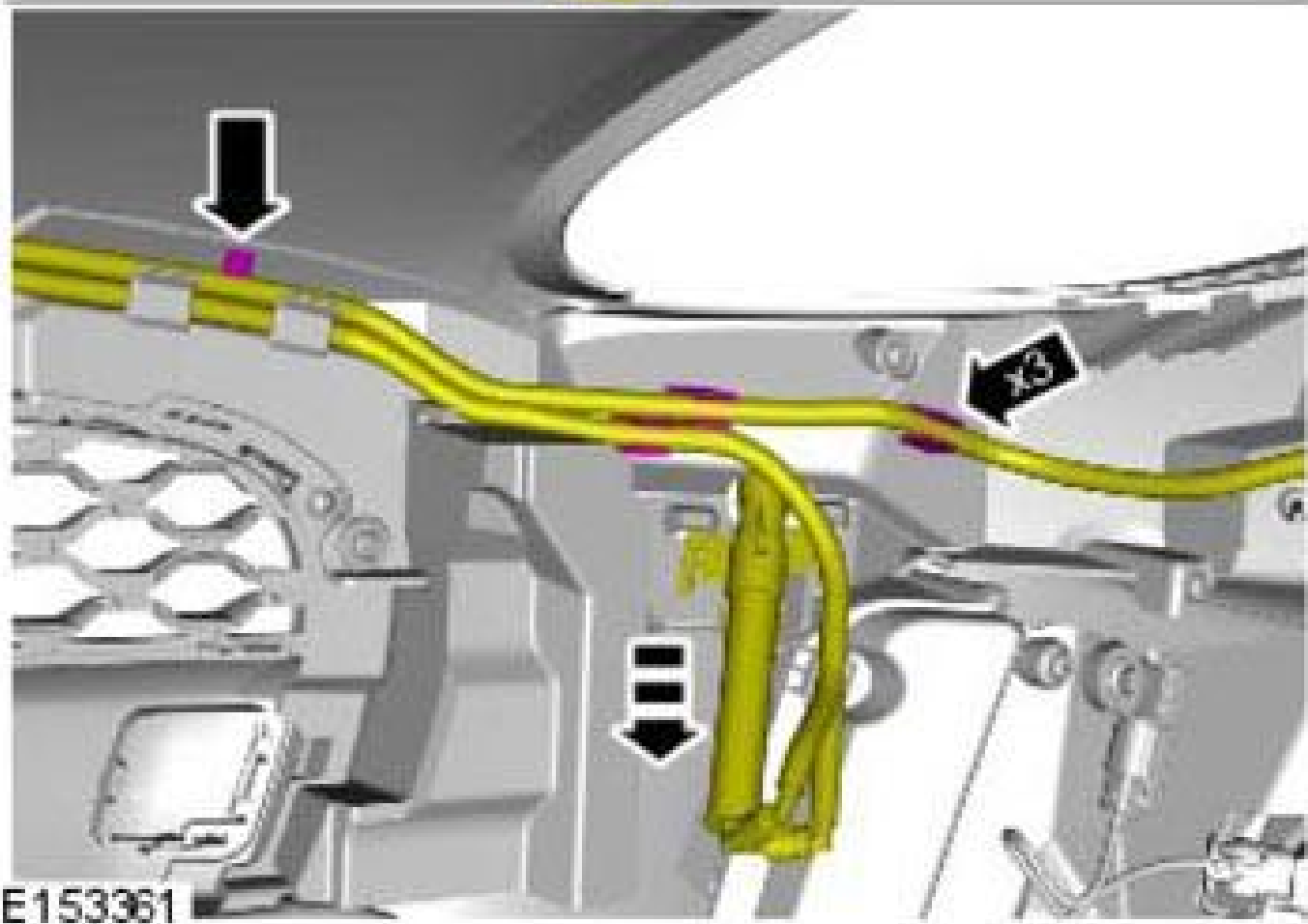
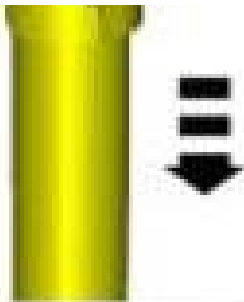


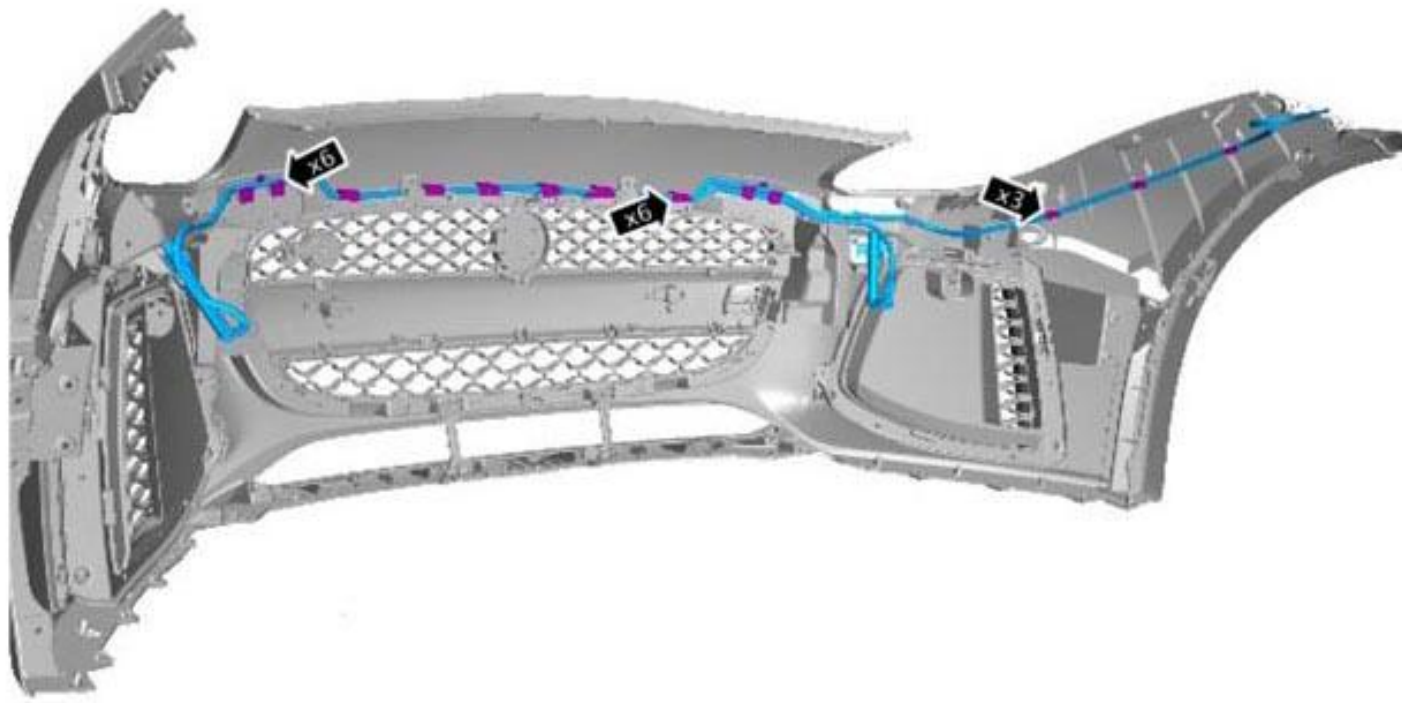


E153360

10. **CAUTION:** Take extra care not to damage the clips.

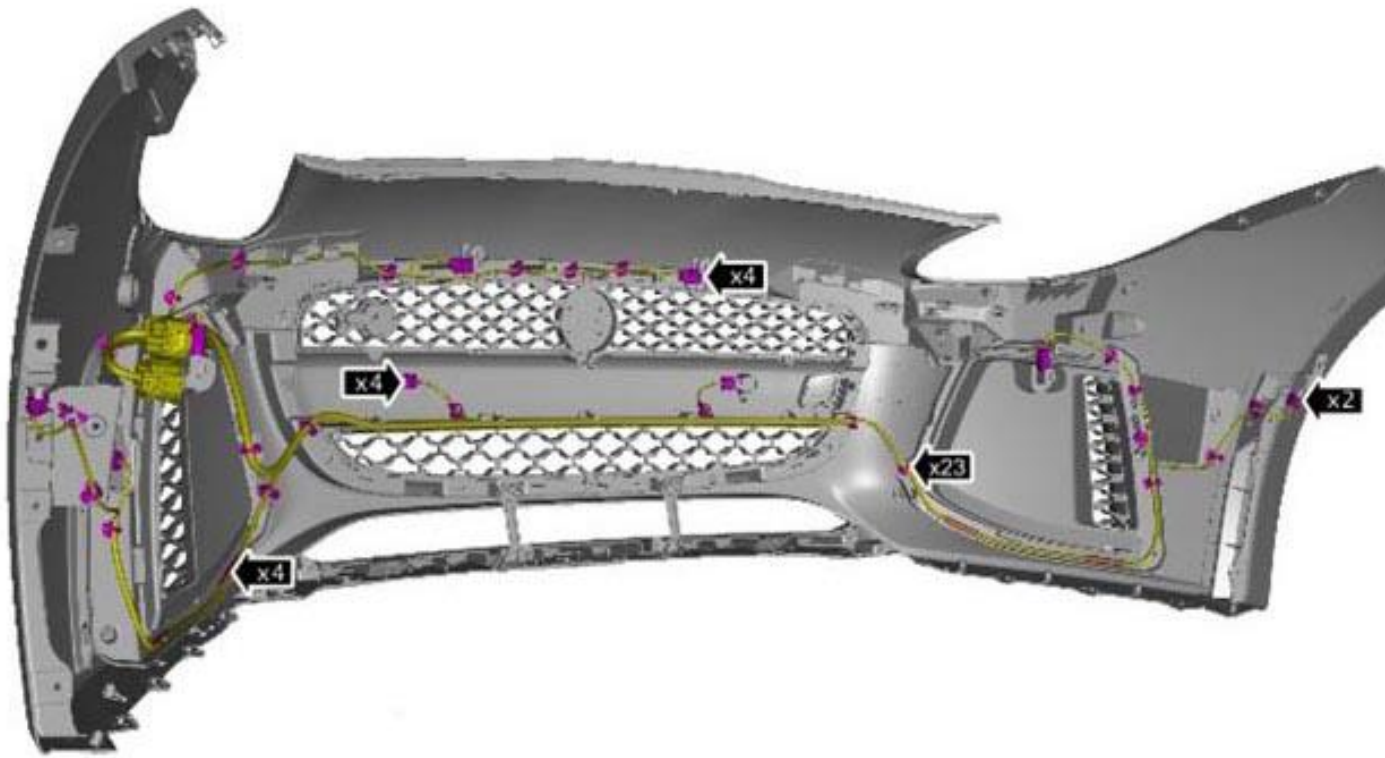






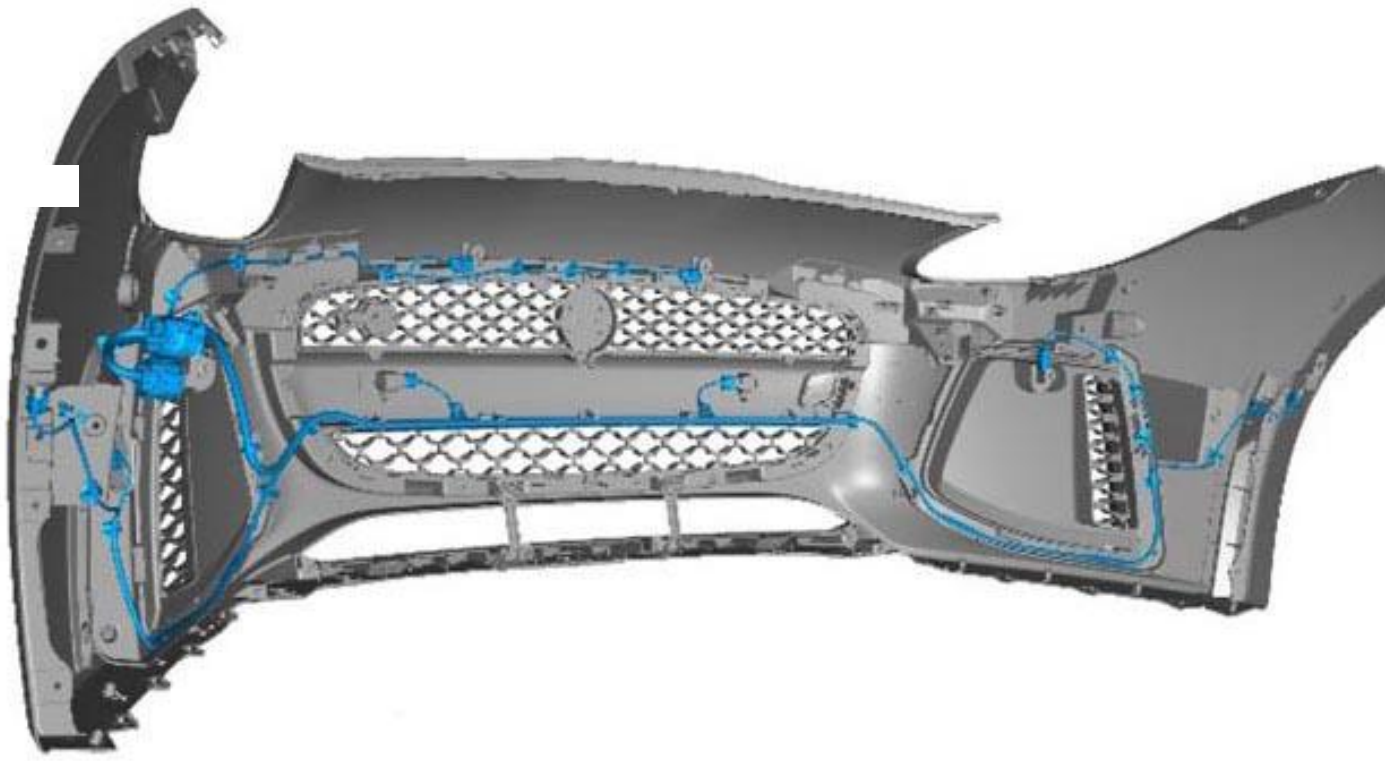
E185929

12.



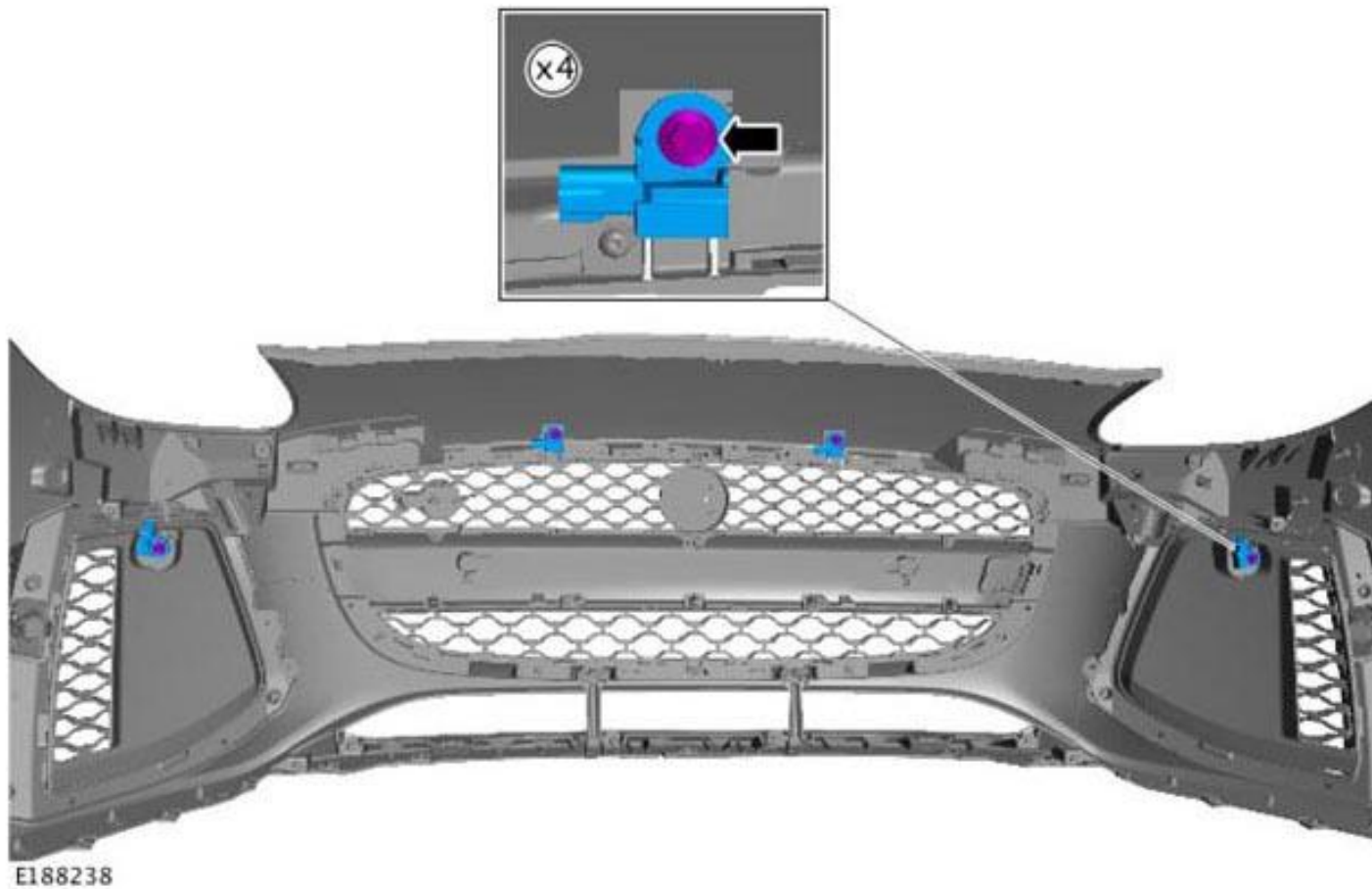
E188284

13.

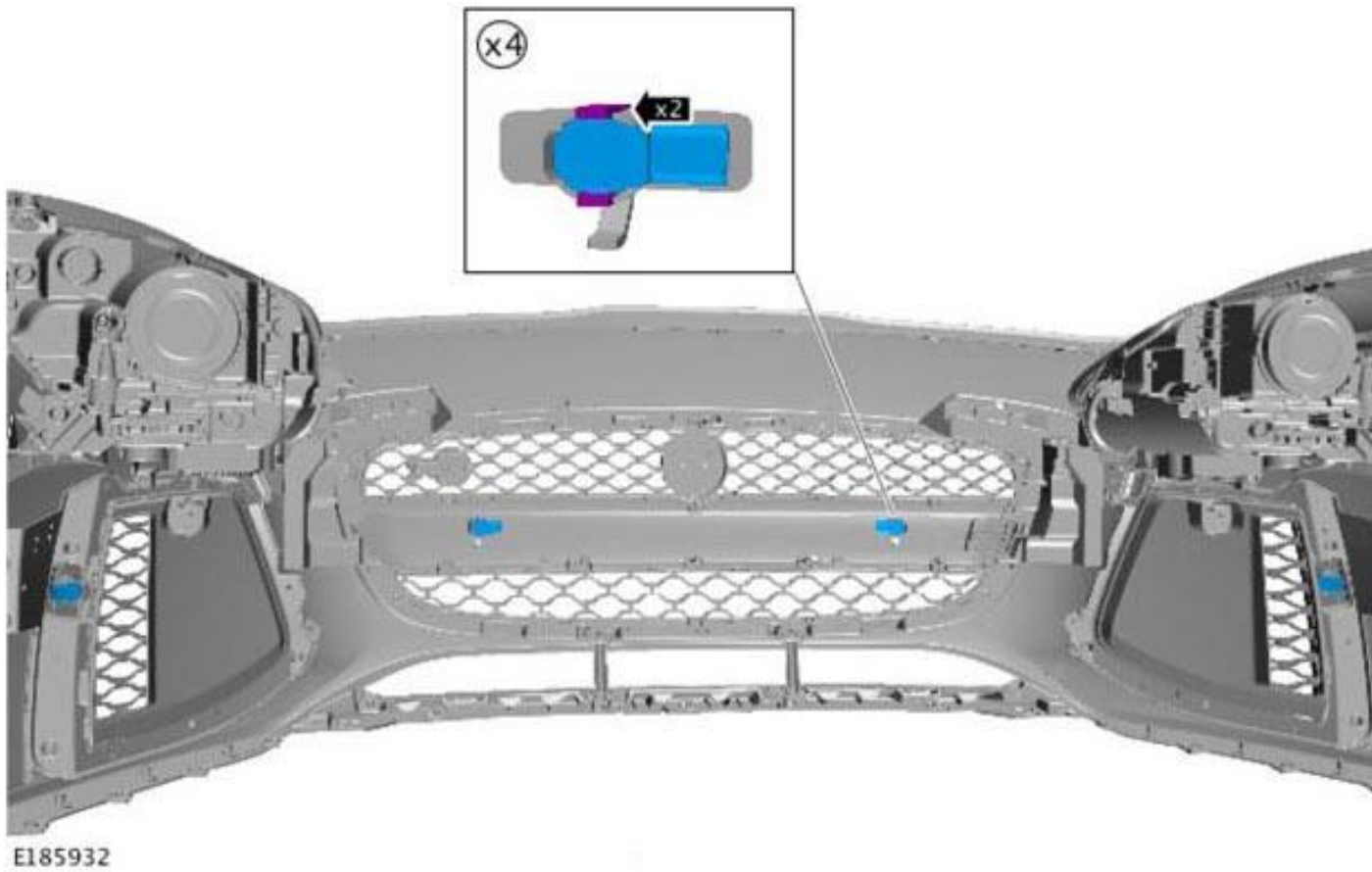


E188237

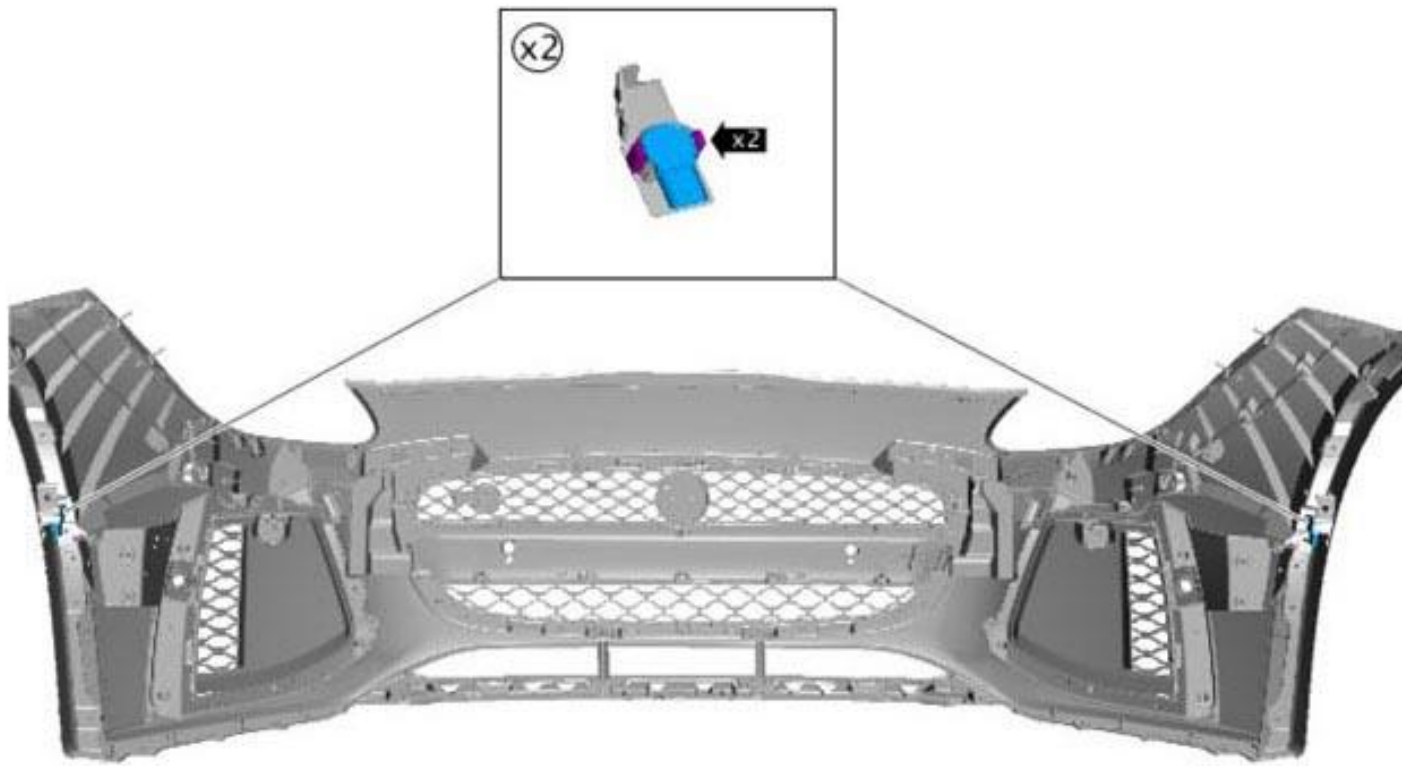
14. **NOTE:** If equipped.



15. **NOTE:** If equipped.

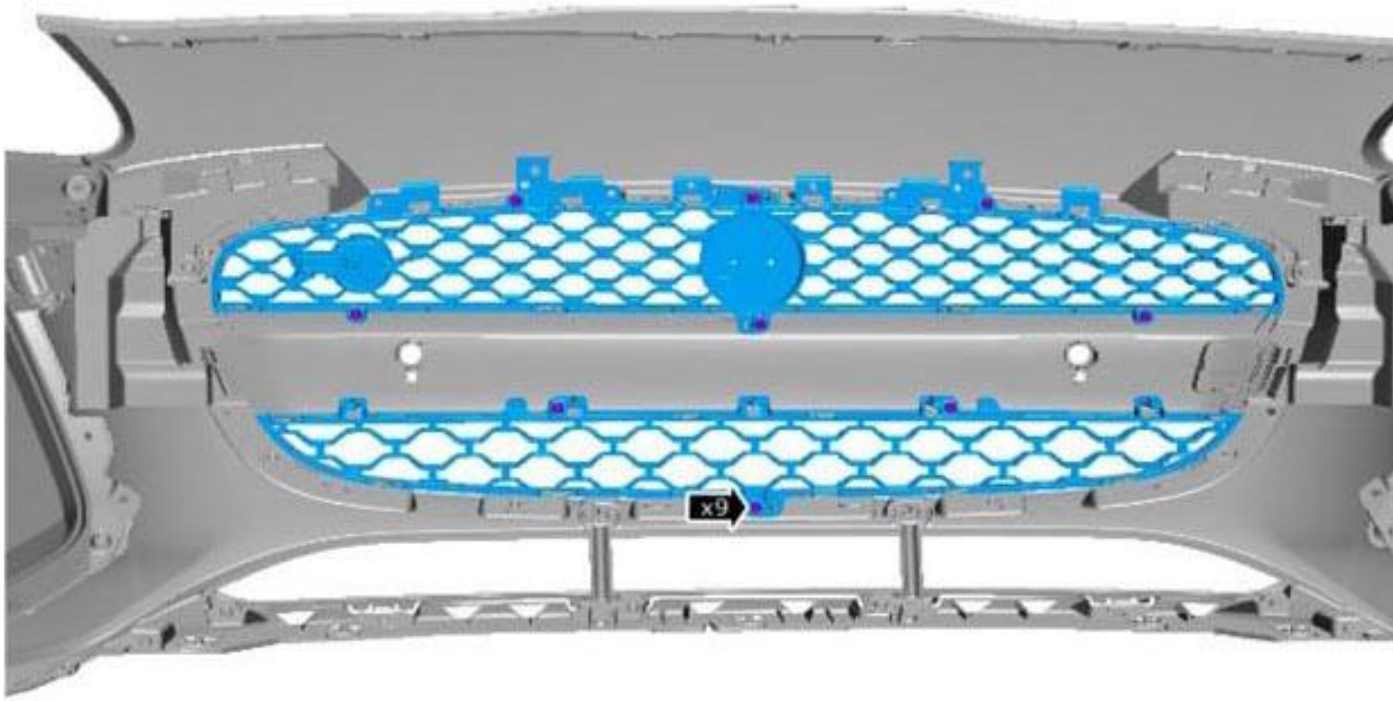


16. **NOTE:** If equipped.



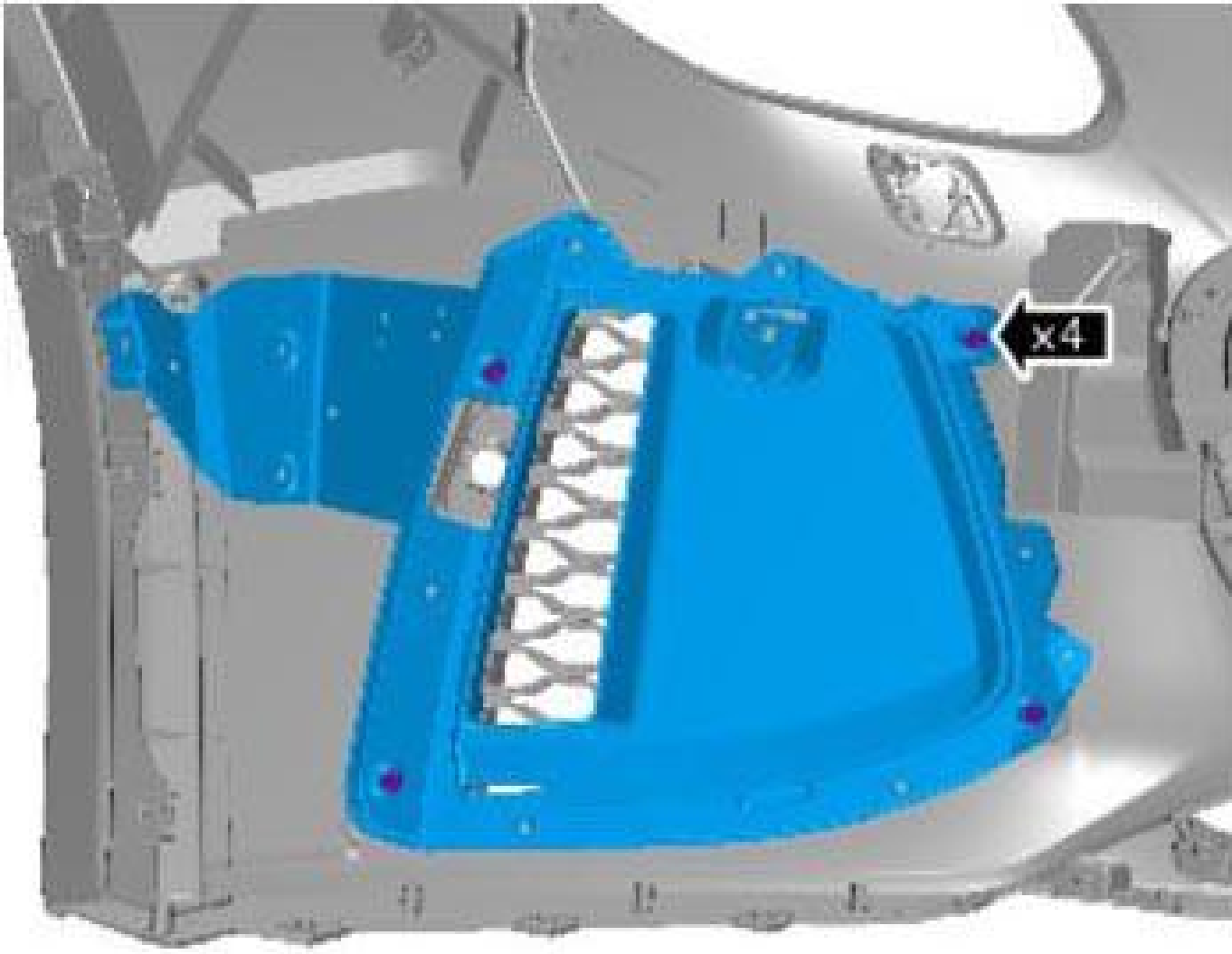
E185933

17.



E185934

18. **NOTE:** Repeat the procedure for the other side.

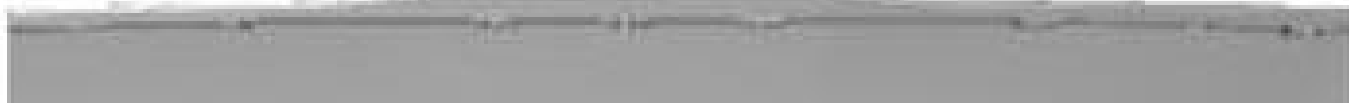


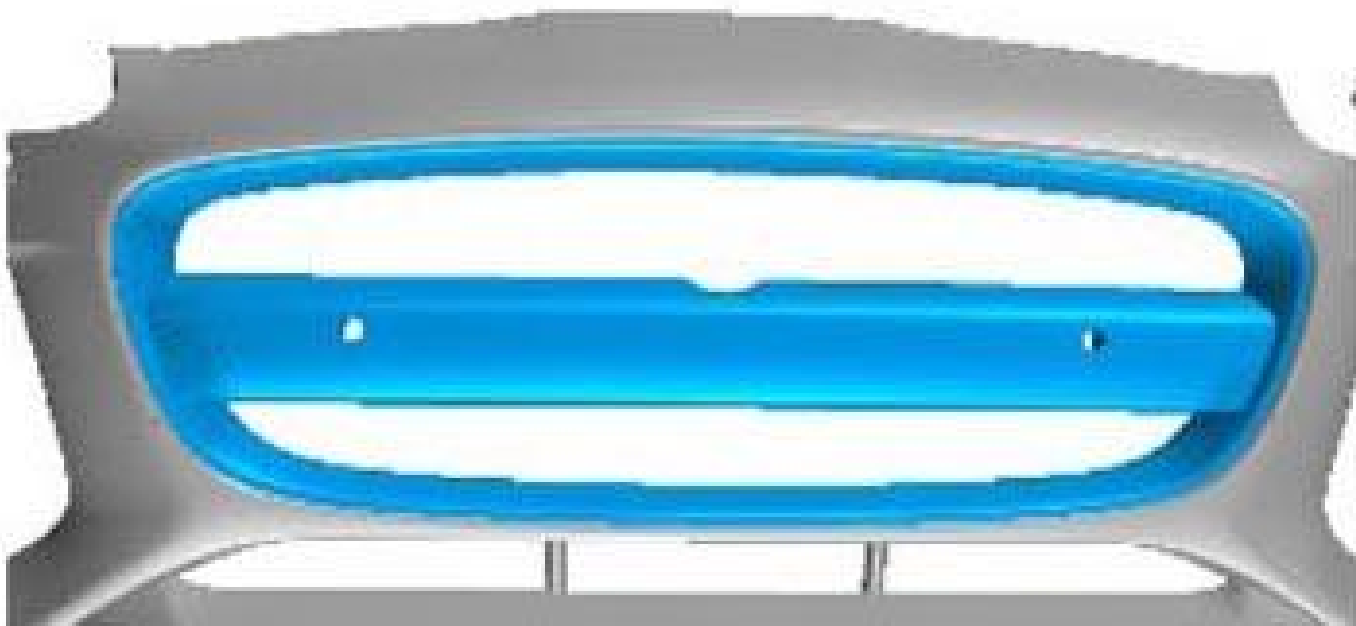
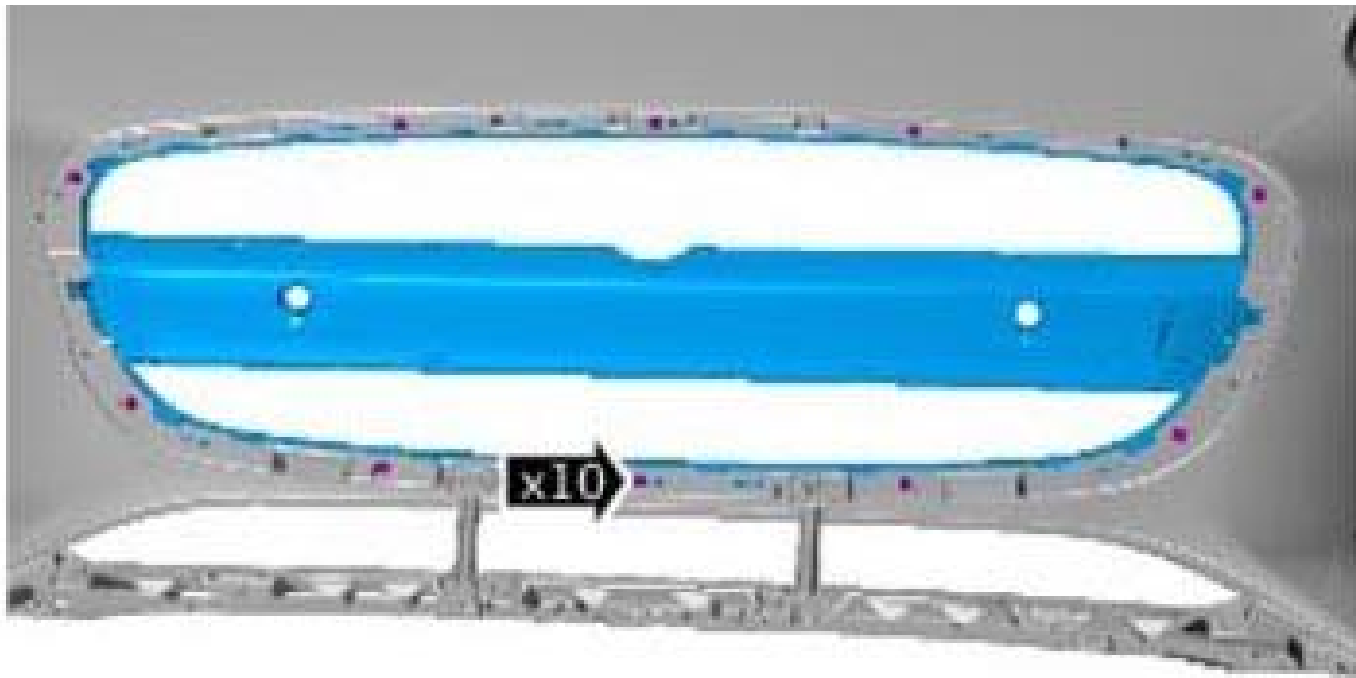
E185935

19. **NOTE:** Repeat the procedure for the other side.



E188239





E185937

INSTALLATION

1. To install, reverse the removal procedure.
- 2.

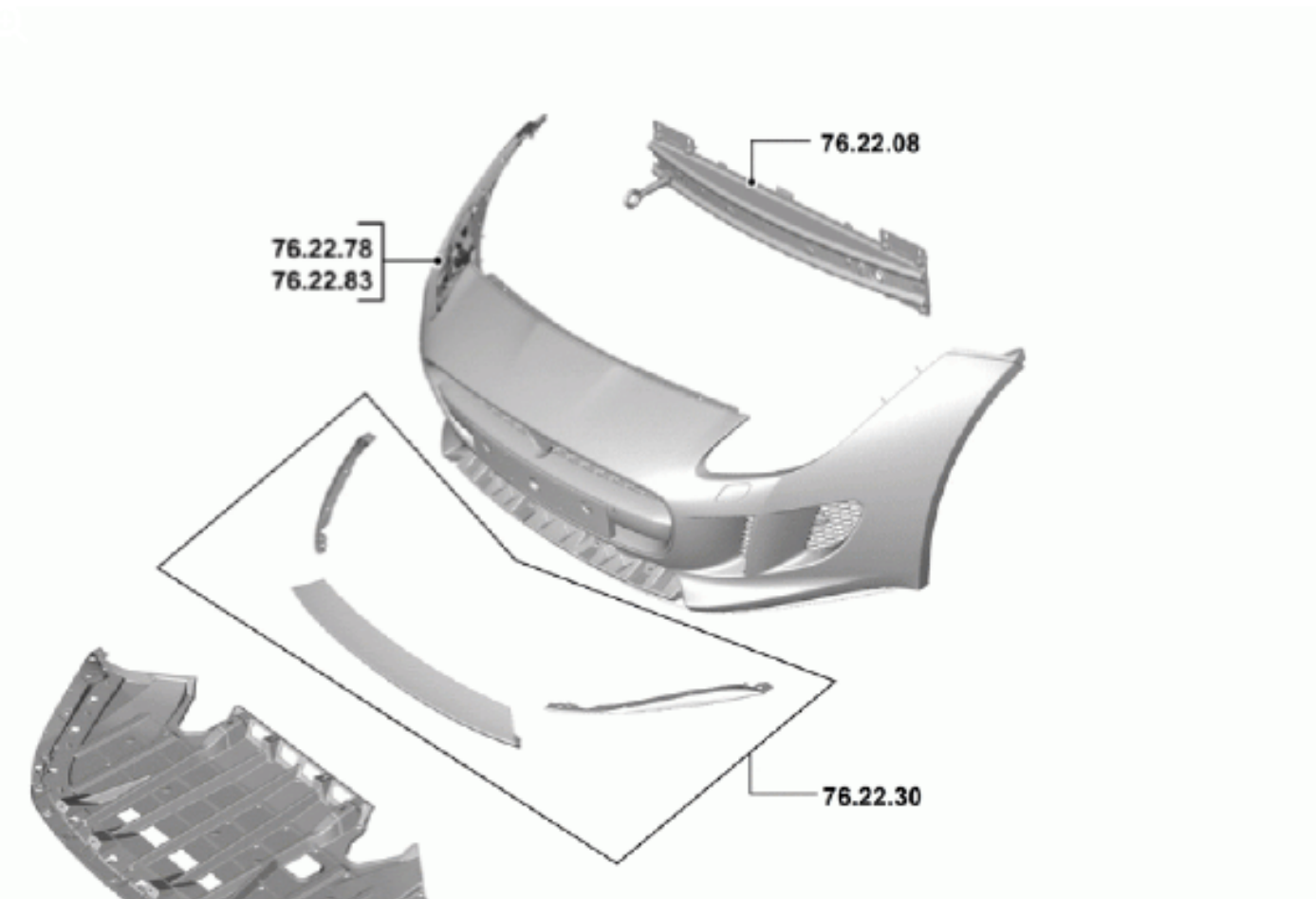
REAR BUMPER (G1580238)

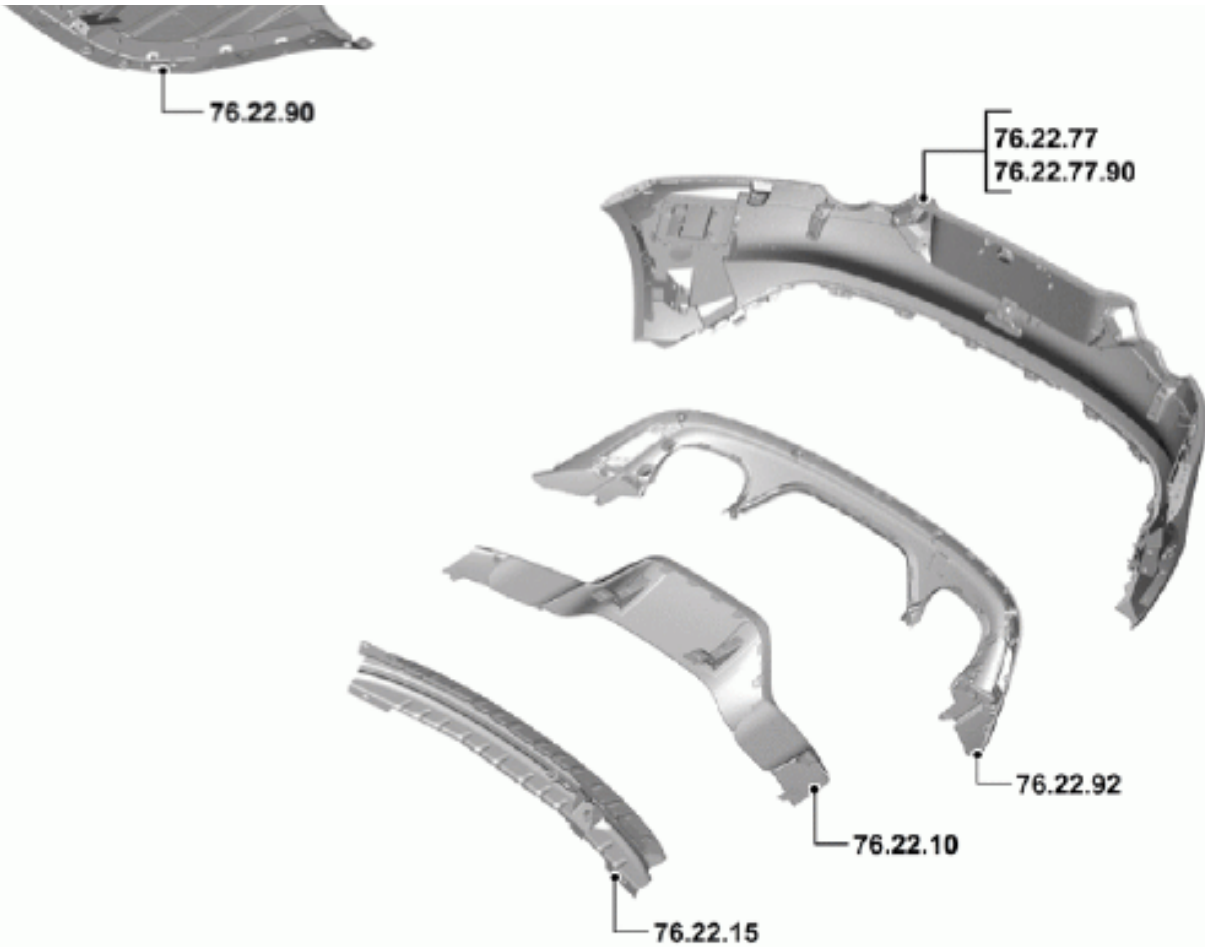
76.22.15

REAR BUMPER ASSEMBLY - RENEW

CABRIOLET

1.7





JRT1231

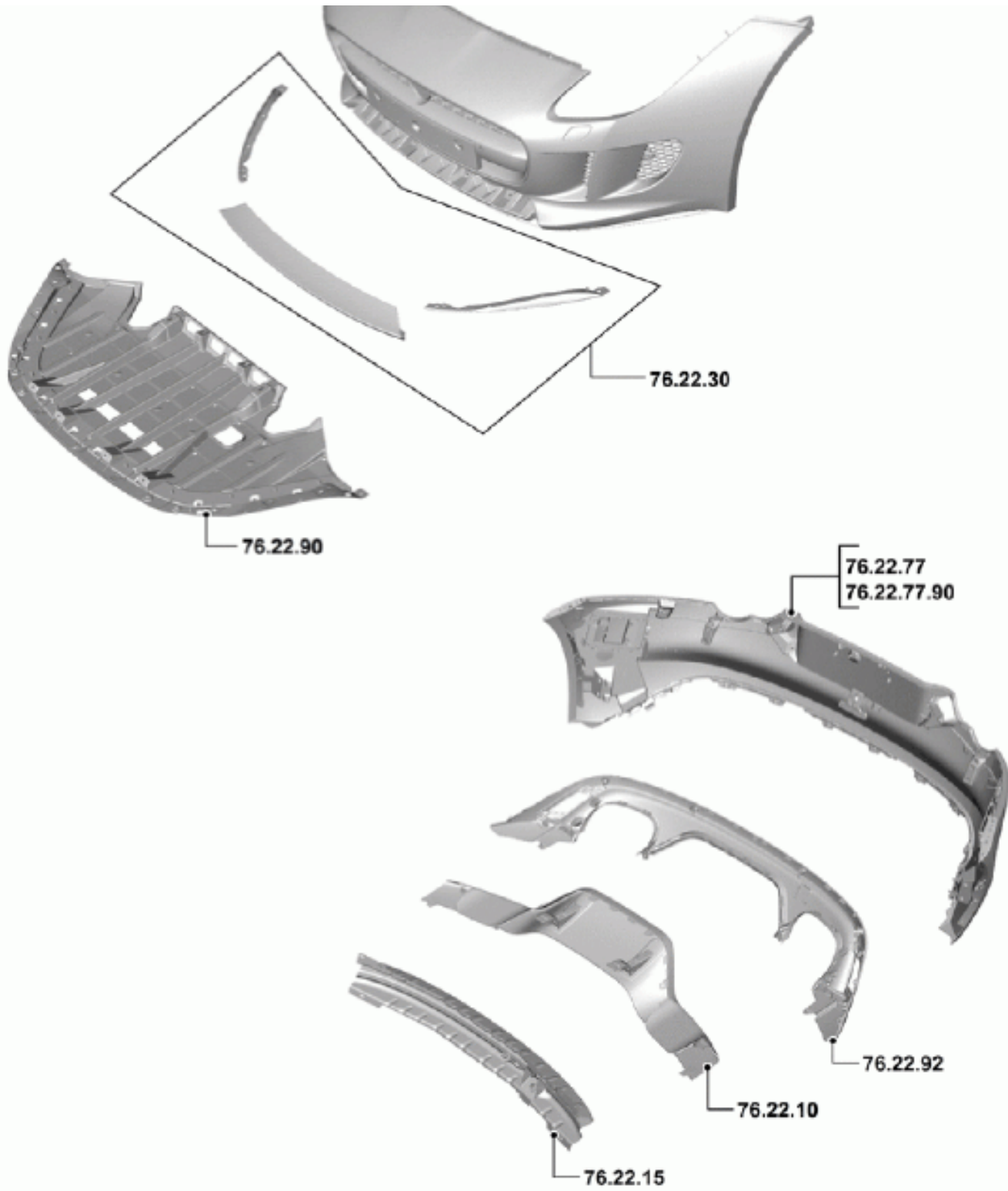
76.22.15

REAR BUMPER ASSEMBLY - RENEW

COUPE

1.6





REMOVAL

NOTE: Removal steps in this procedure may contain installation details.

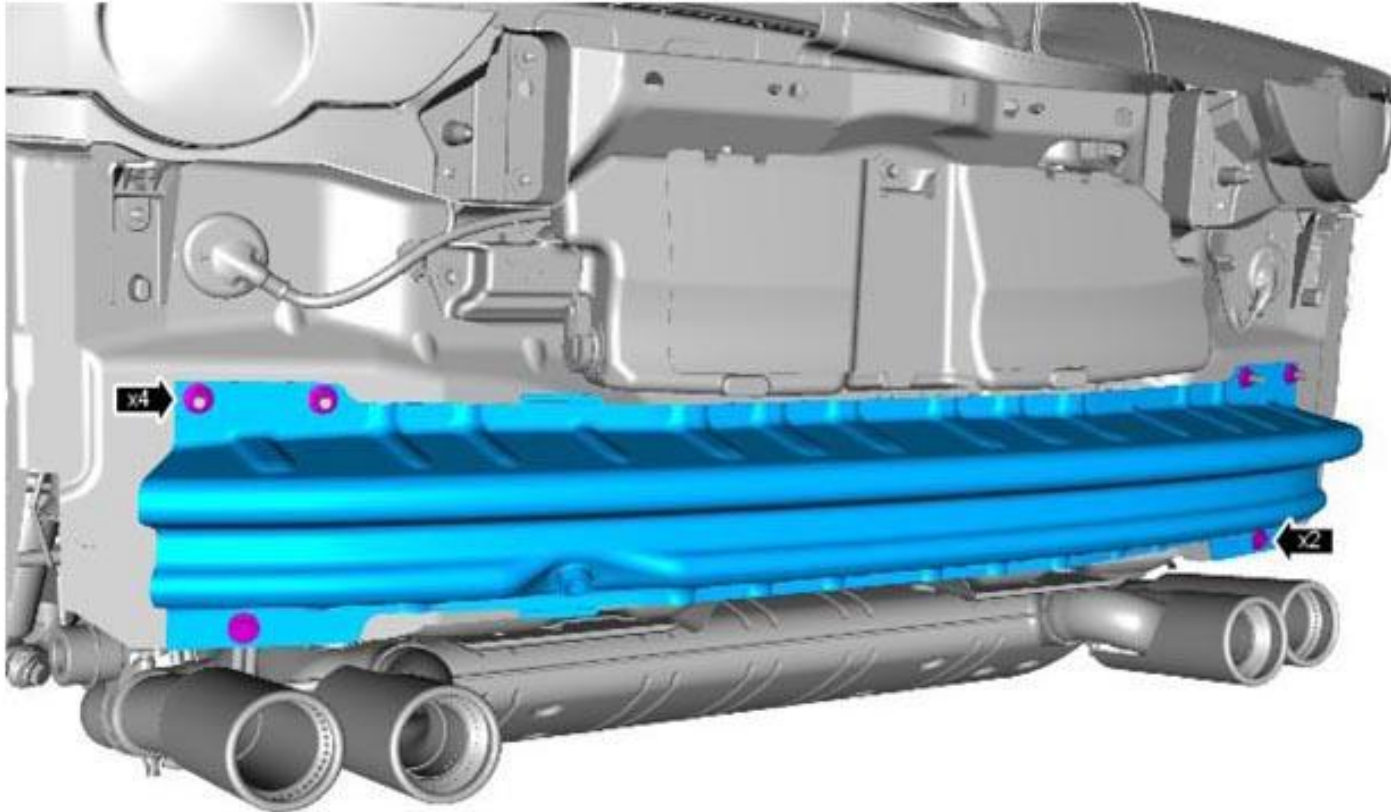
1. **Make sure to support the vehicle with axle stands.**

Raise and support the vehicle.

2. Refer to: **Rear Bumper Cover - Folding Top** (Removal and Installation).

Refer to: **Rear Bumper Cover - Coupe** (Removal and Installation).

- 3.



Torque Specification:

M8 15 Nm

M10 48 Nm

INSTALLATION

1. To install, reverse the removal procedure.

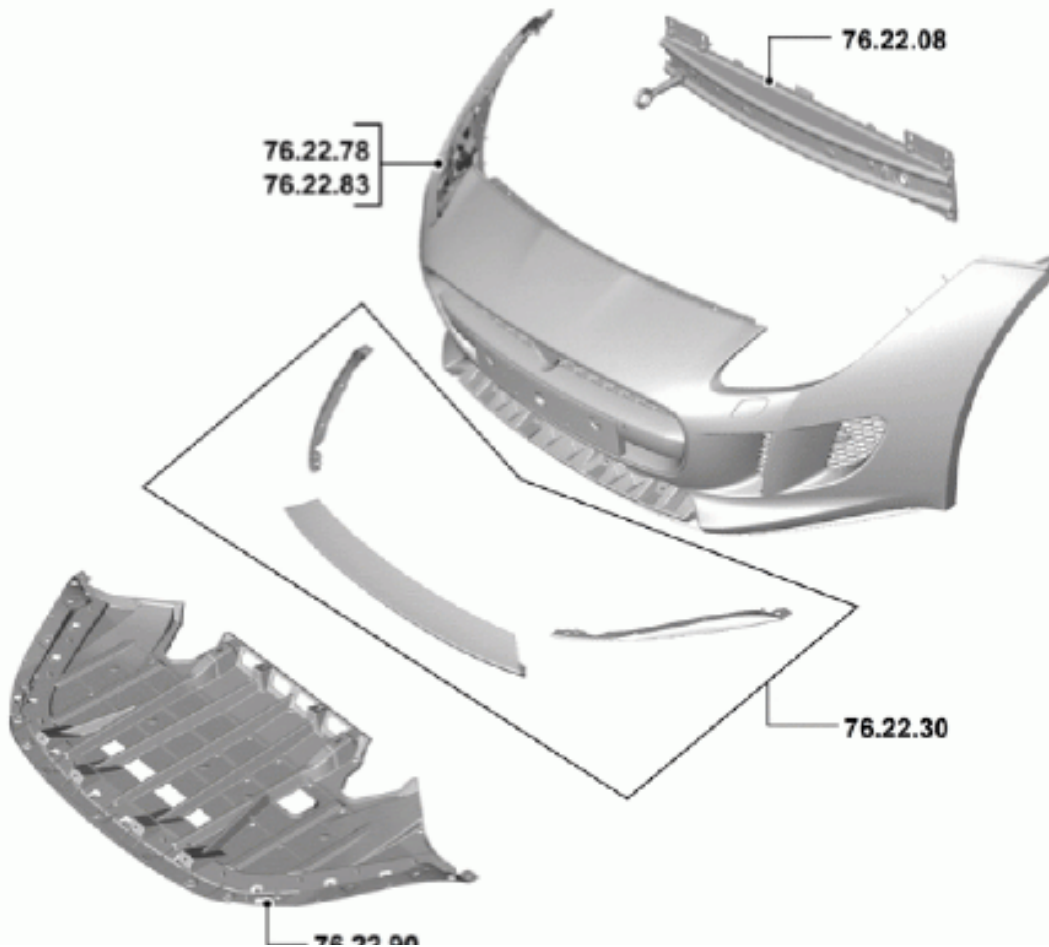
REAR BUMPER COVER - FOLDING TOP (G1580239)

76.22.77

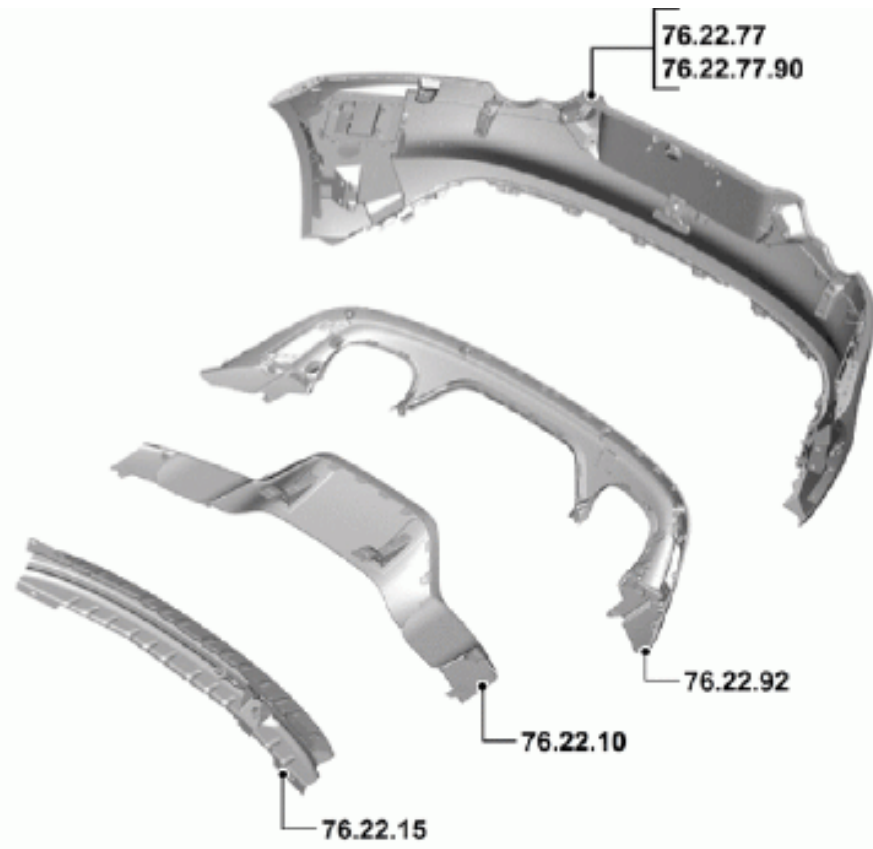
REAR BUMPER COVER - RENEW

CABRIOLET

2.6



76.22.90



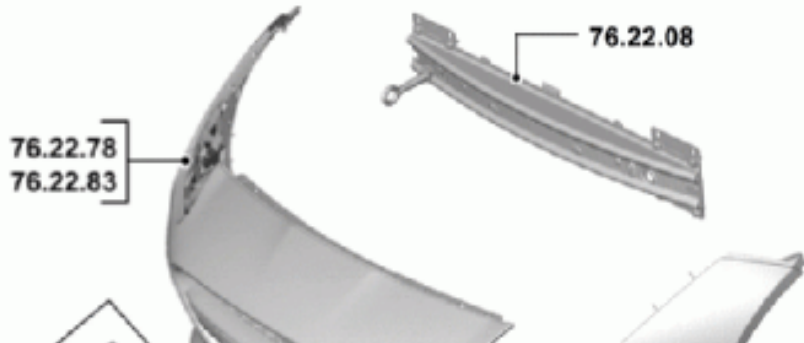
JRT1231

76.22.77

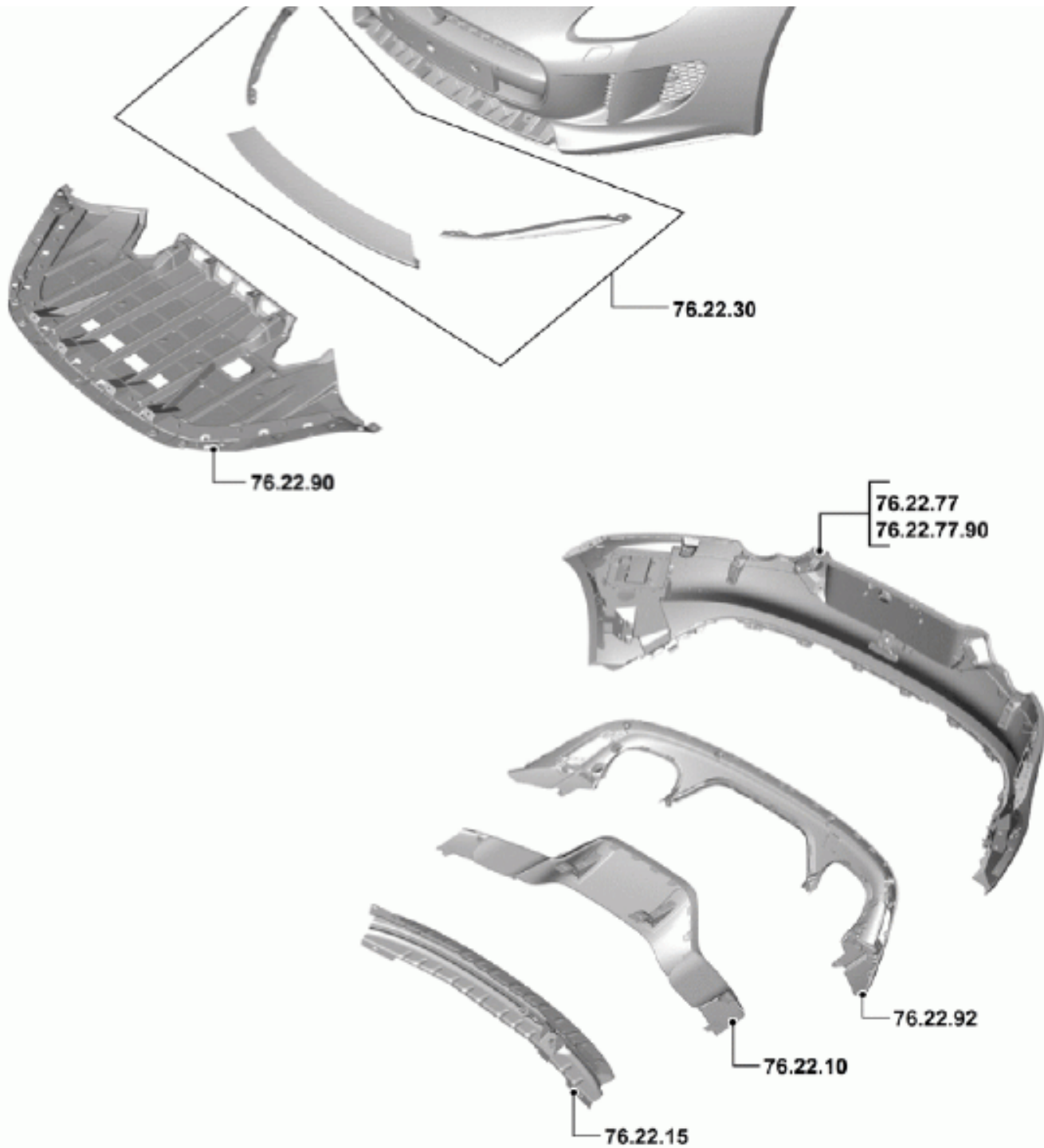
REAR BUMPER COVER - RENEW

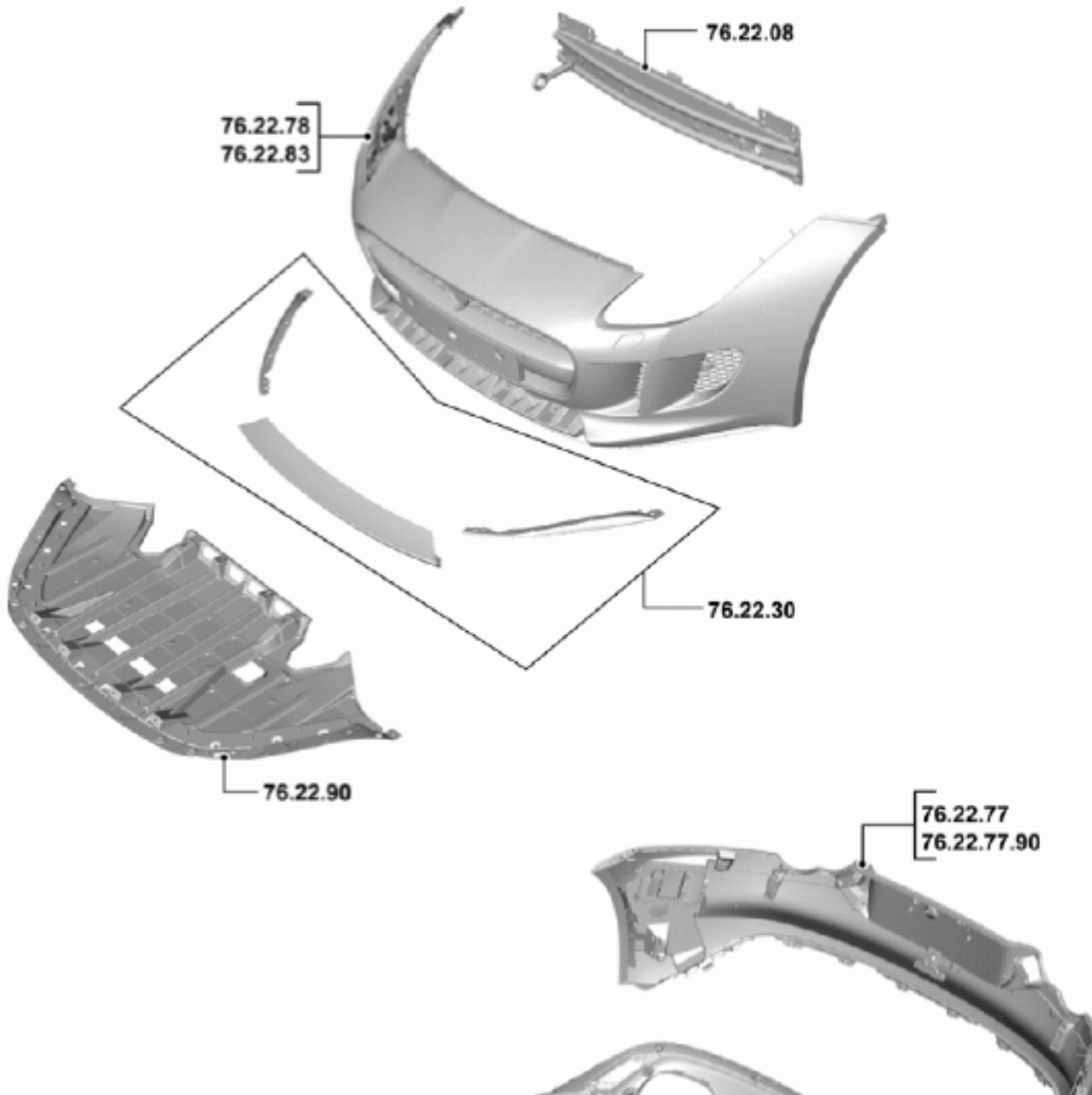
CABRIOLET, SVR

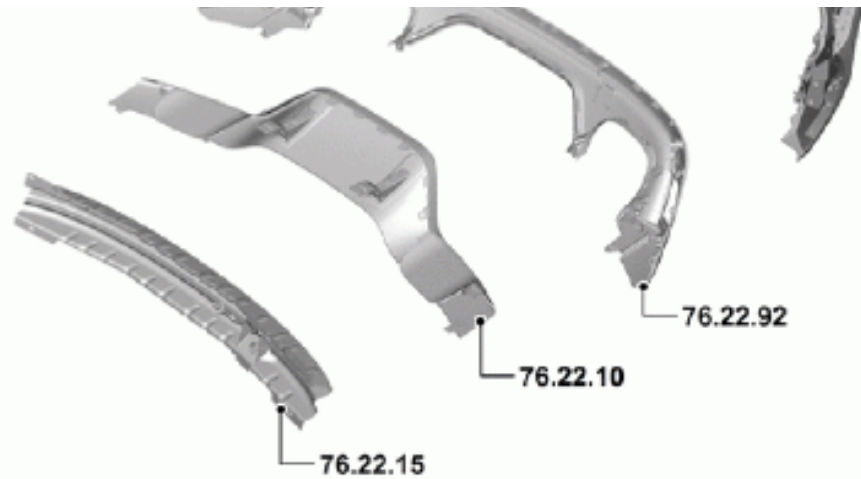
3



/







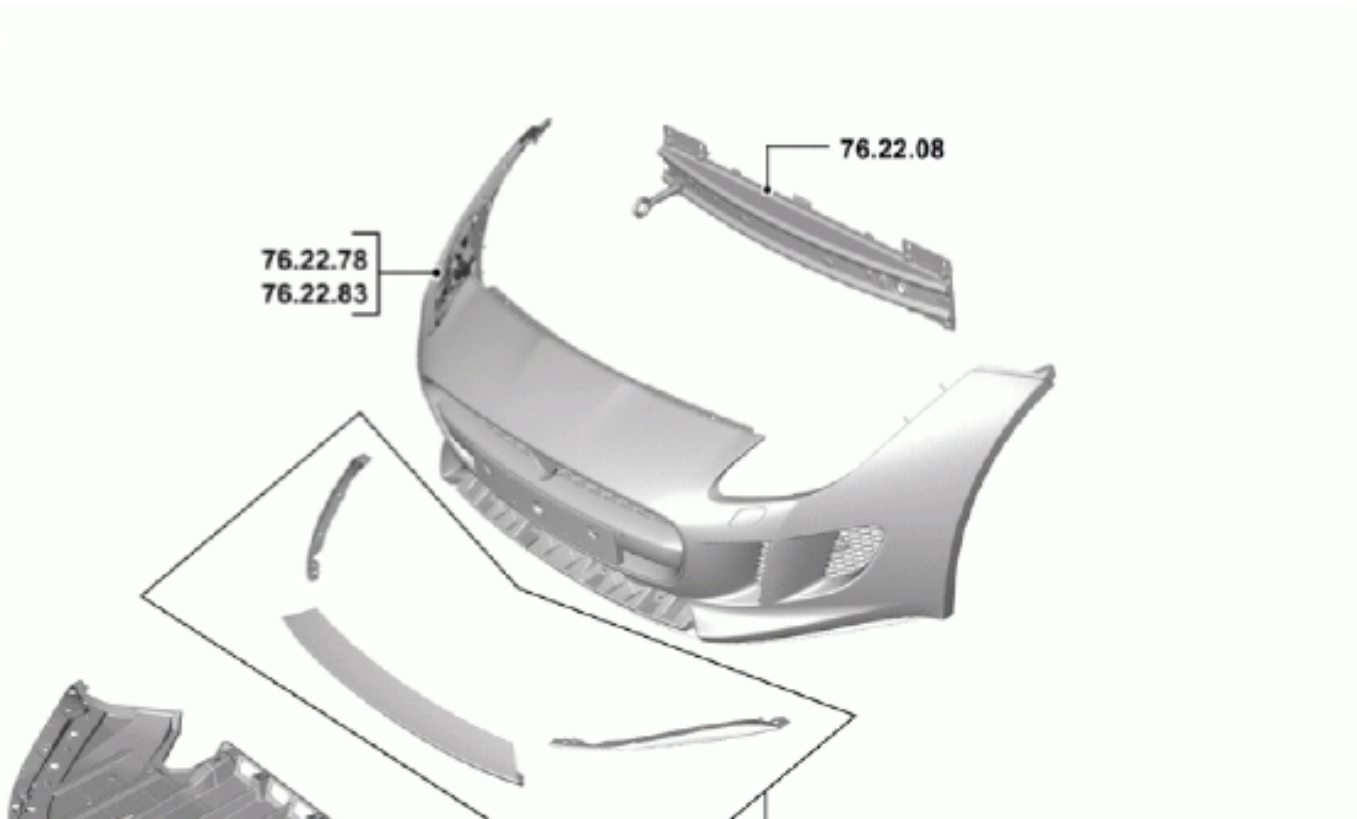
JRT1231

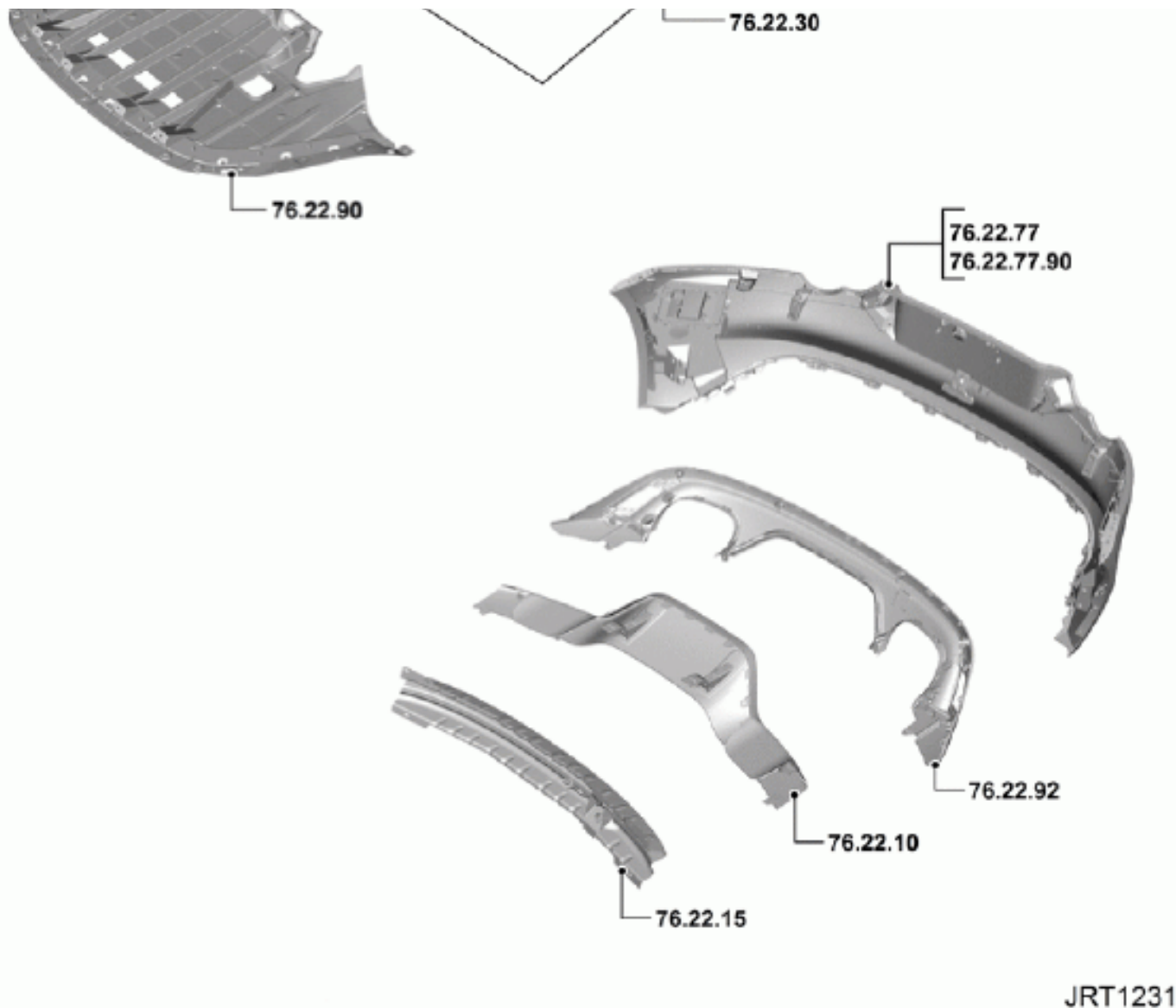
76.22.77

REAR BUMPER COVER - RENEW

COUPE, SVR

2.9





REMOVAL

CAUTION: Always protect paintwork and glass when removing exterior components.

NOTE: Removal steps in this procedure may contain installation details.

1. Make sure to support the vehicle with axle stands.

Raise and support the vehicle.

2. **NOTE:** **The procedure must be carried out on both sides.**

Refer to: **Wheel and Tire** (Removal and Installation).

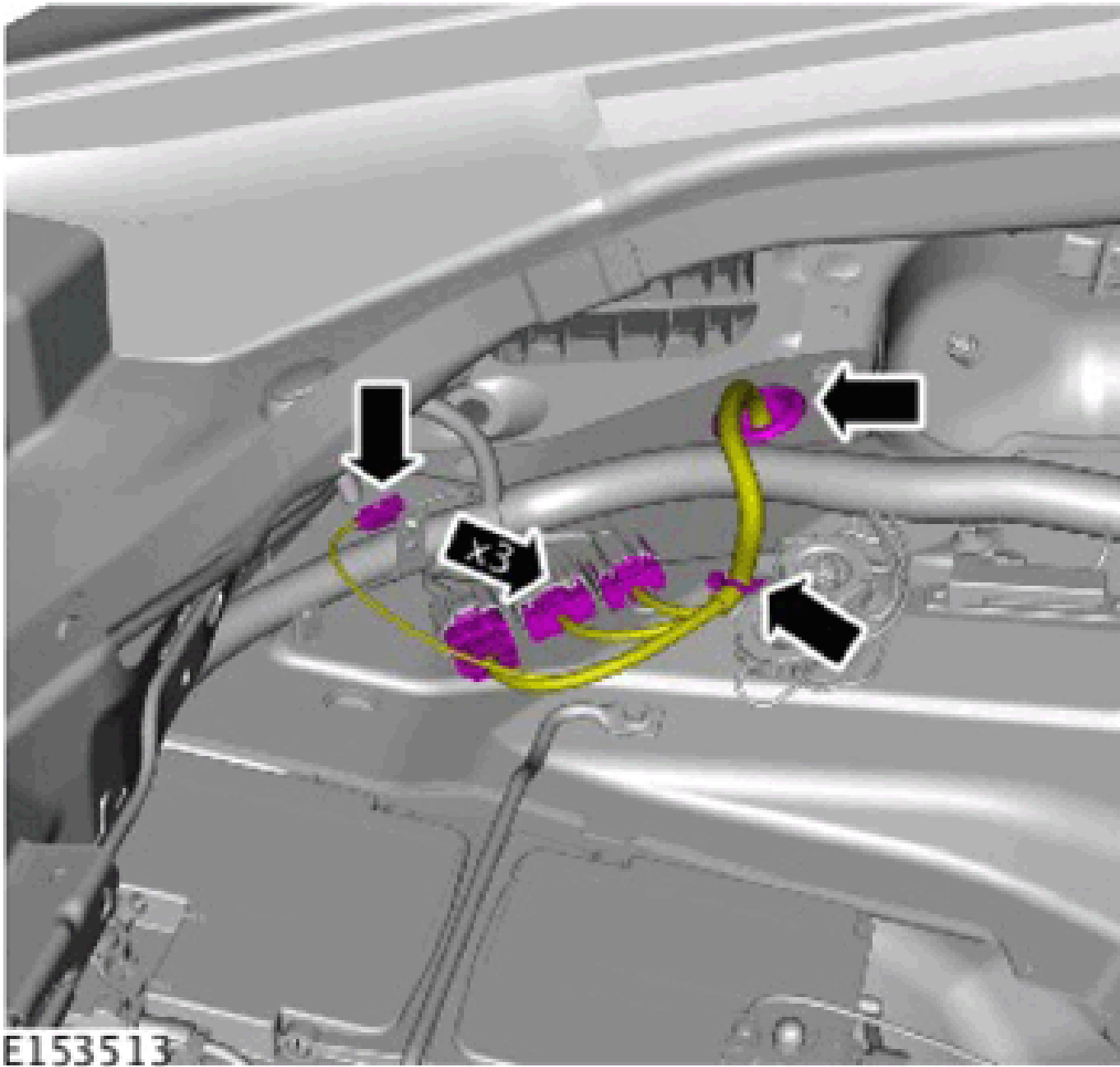
3. **NOTE:** **LH side only.**

Refer to: **Loadspace Trim Panel - Folding Top** (Removal and Installation).

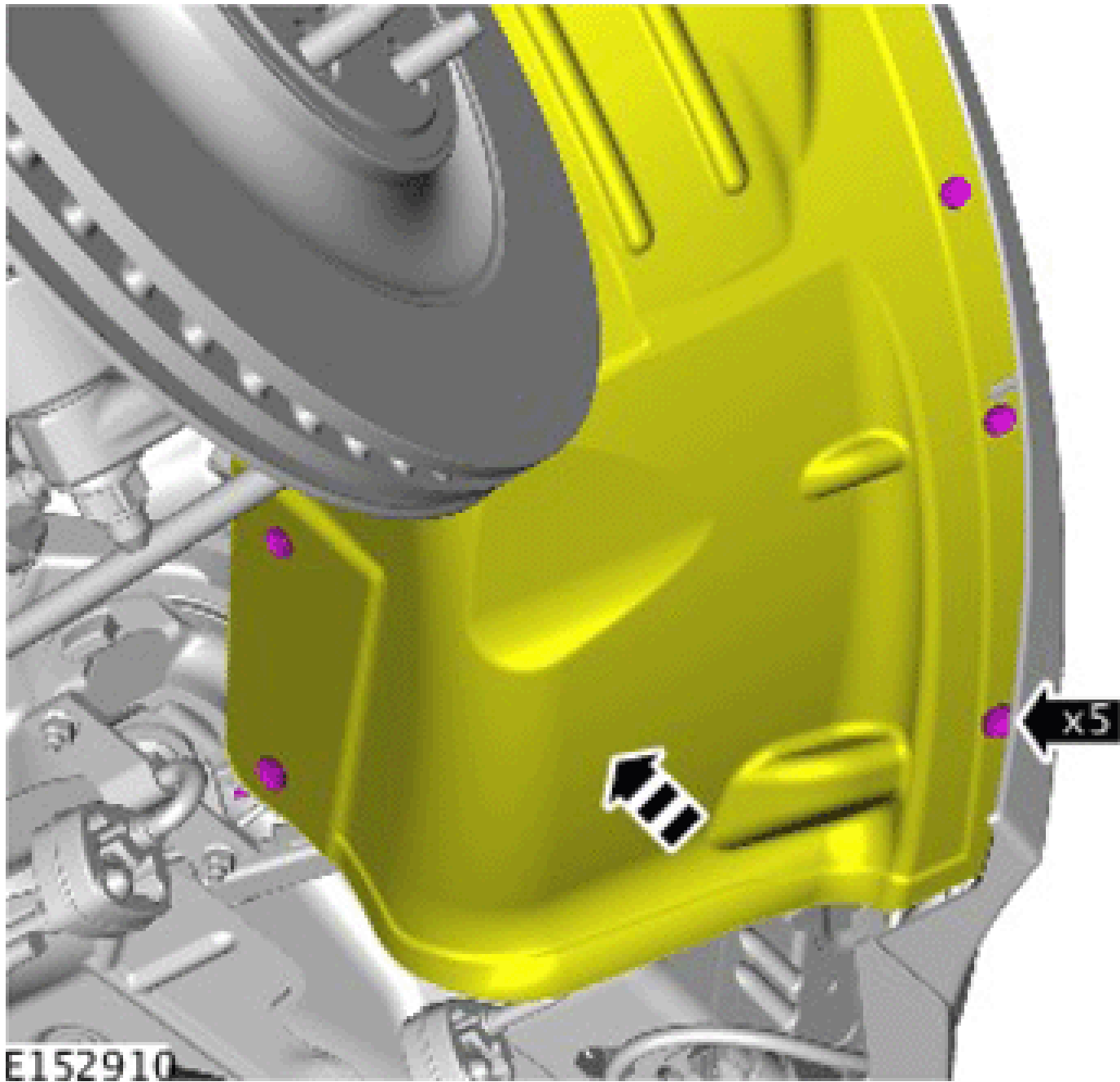
4. If equipped.

Refer to: **Rear Diffuser** (Removal and Installation).

- 5.

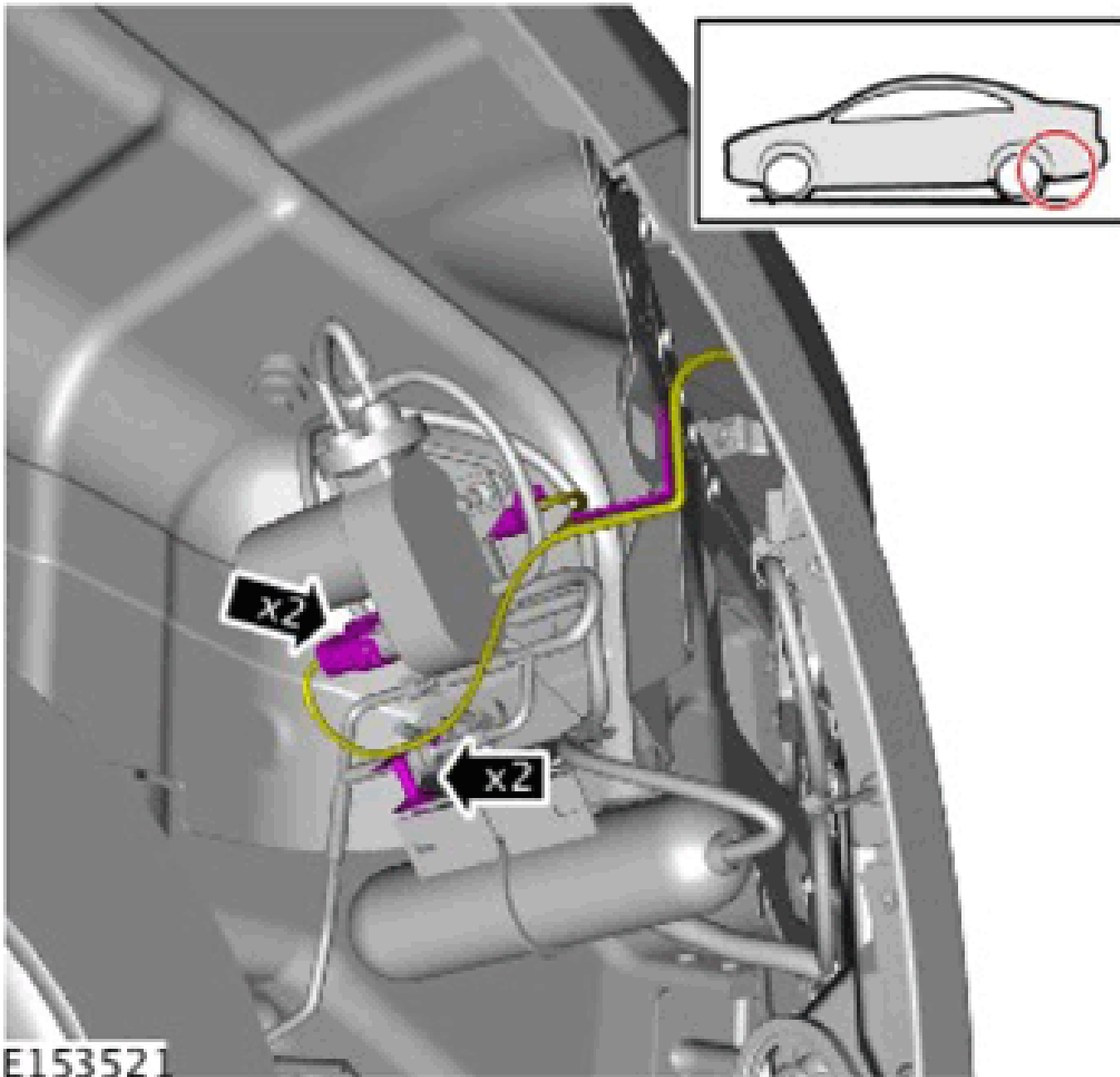


6. **NOTE:** The step must be carried out on both sides.



E152910

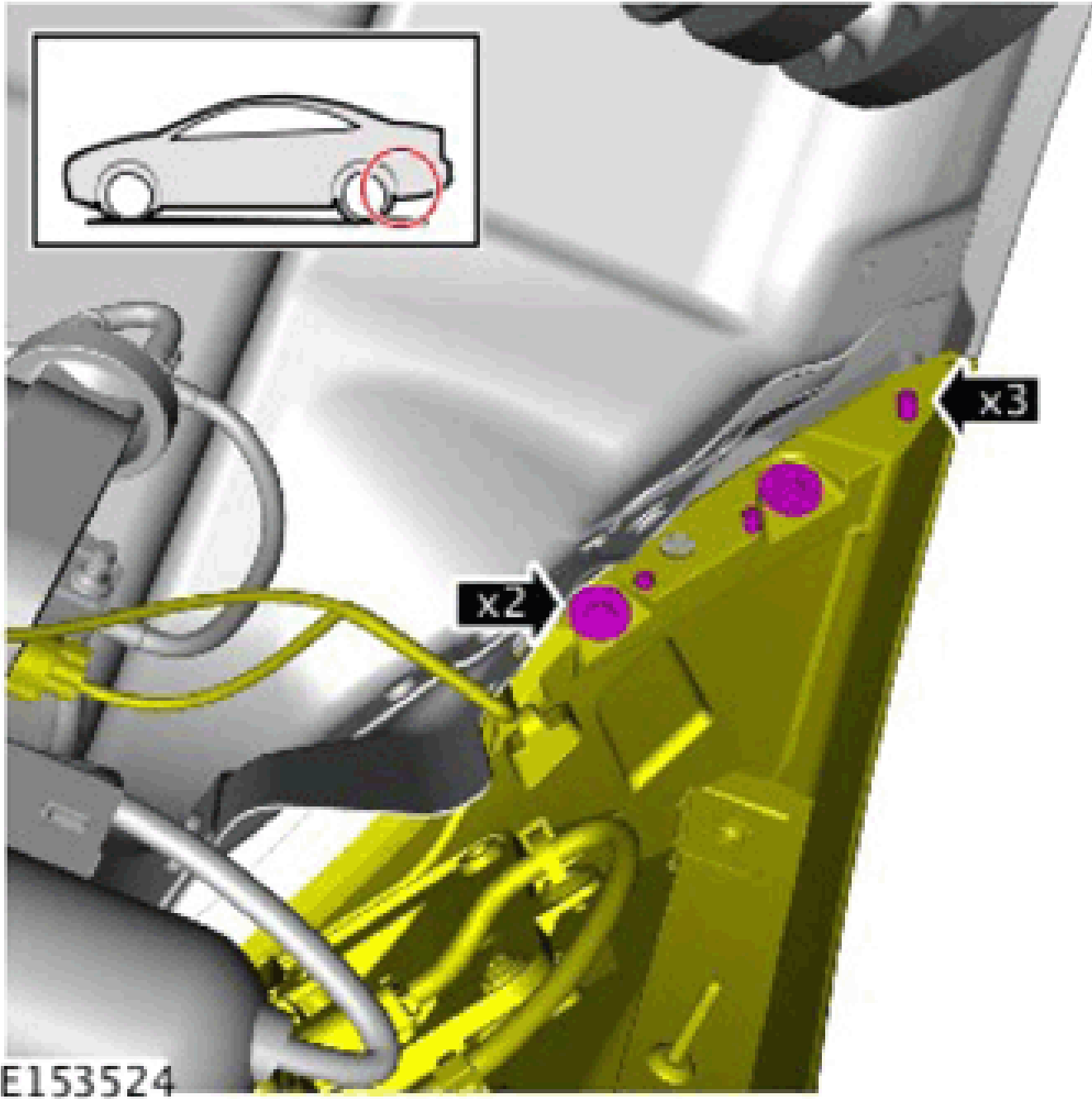
7.



8. **NOTE:**

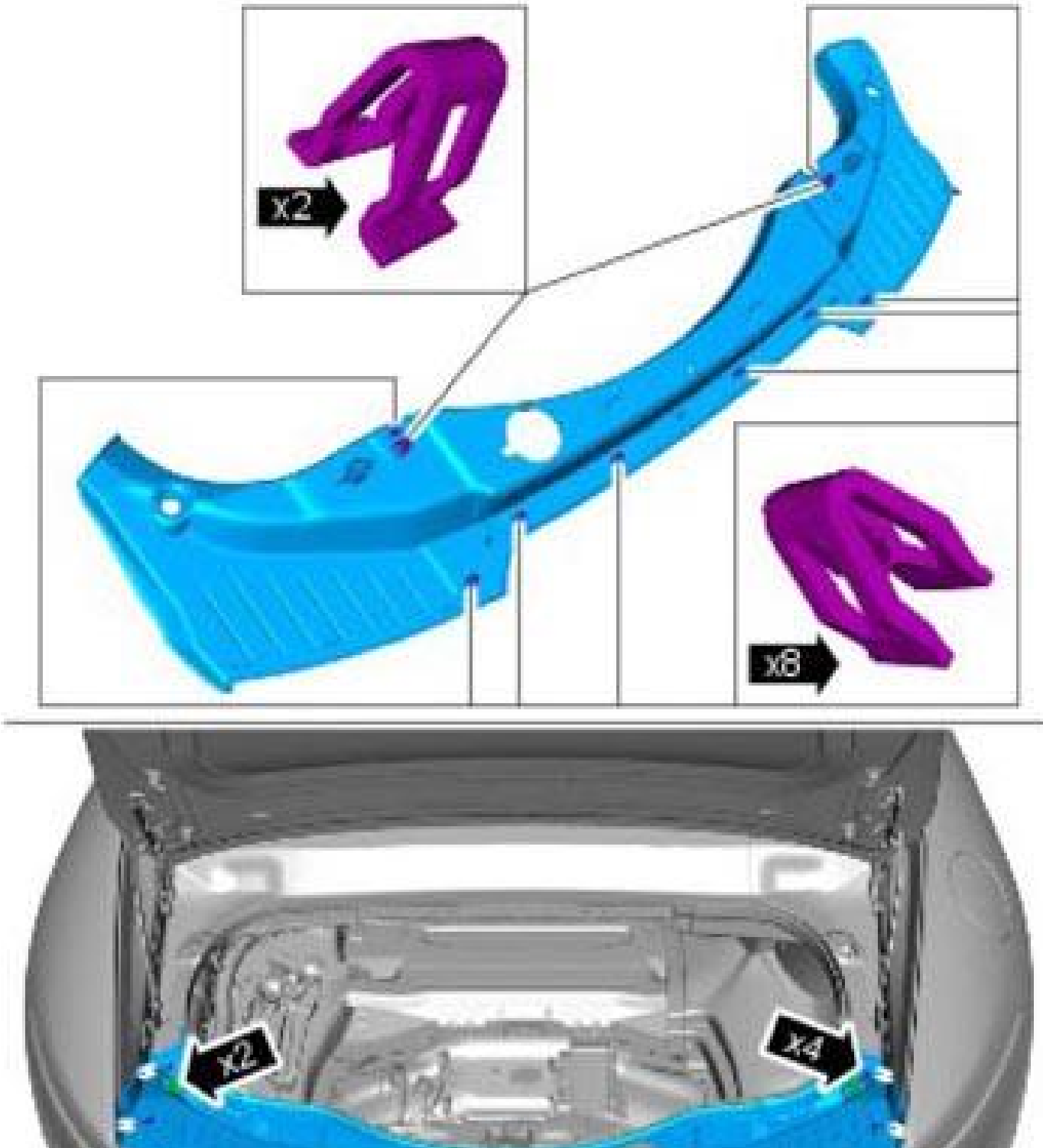
The step must be carried out on both sides.

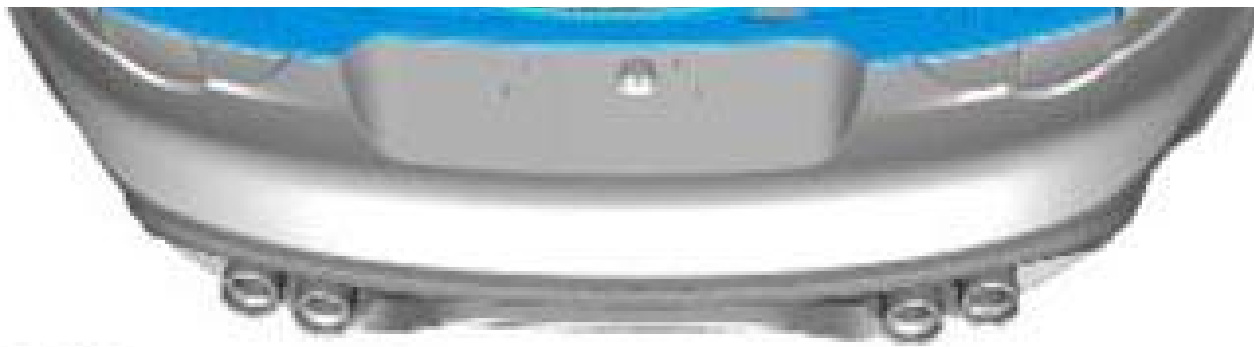
Make sure that the component is installed to the noted removal position.



Torque Specification: 4.1 Nm

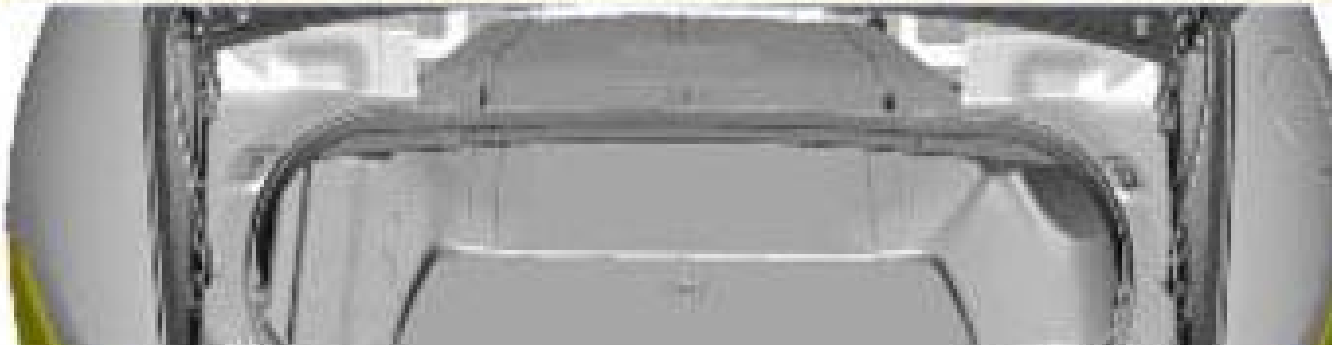
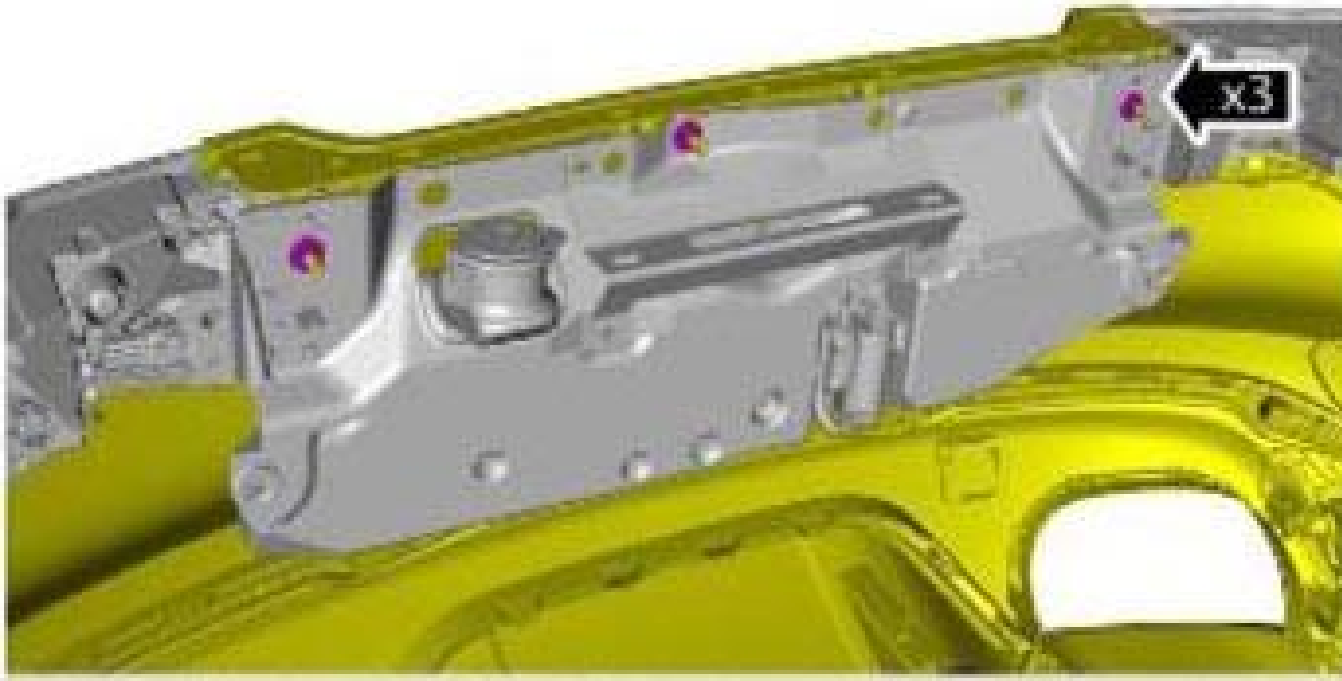
9.

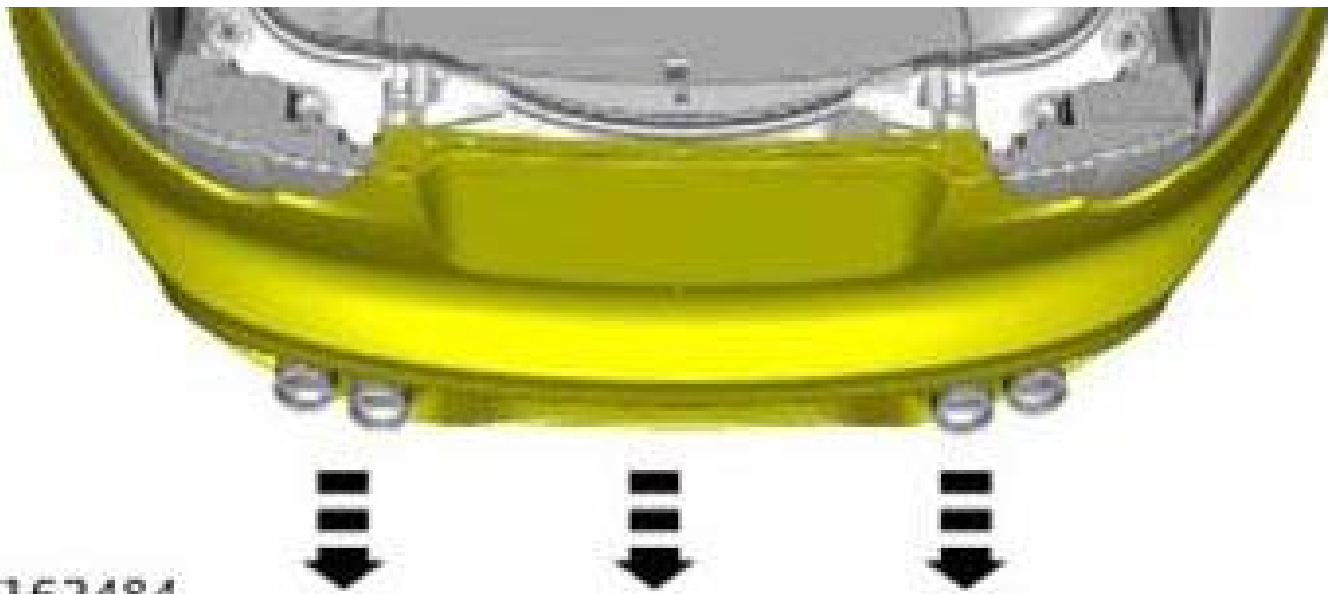




E153519

10.



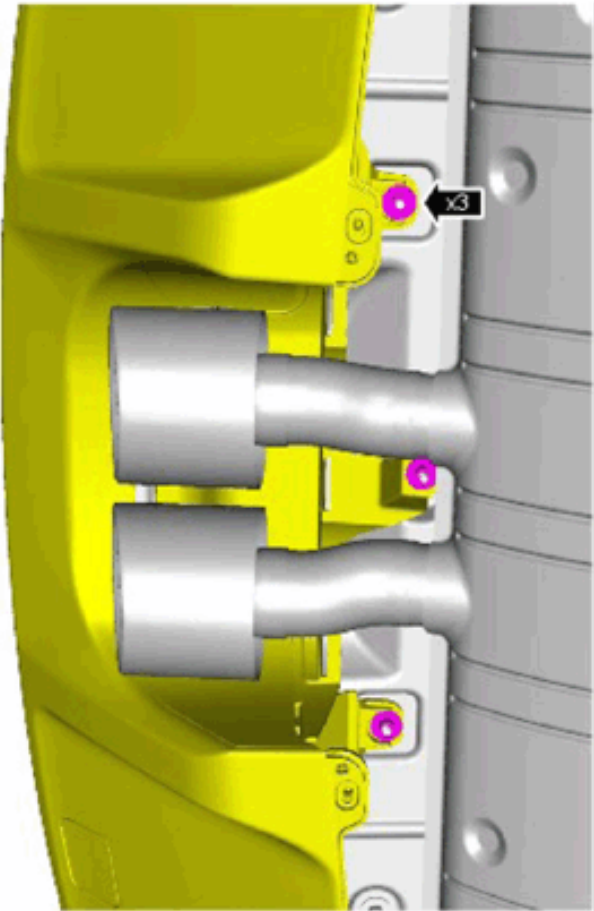


E162484

Torque Specification: 4.1 Nm

11.

V6



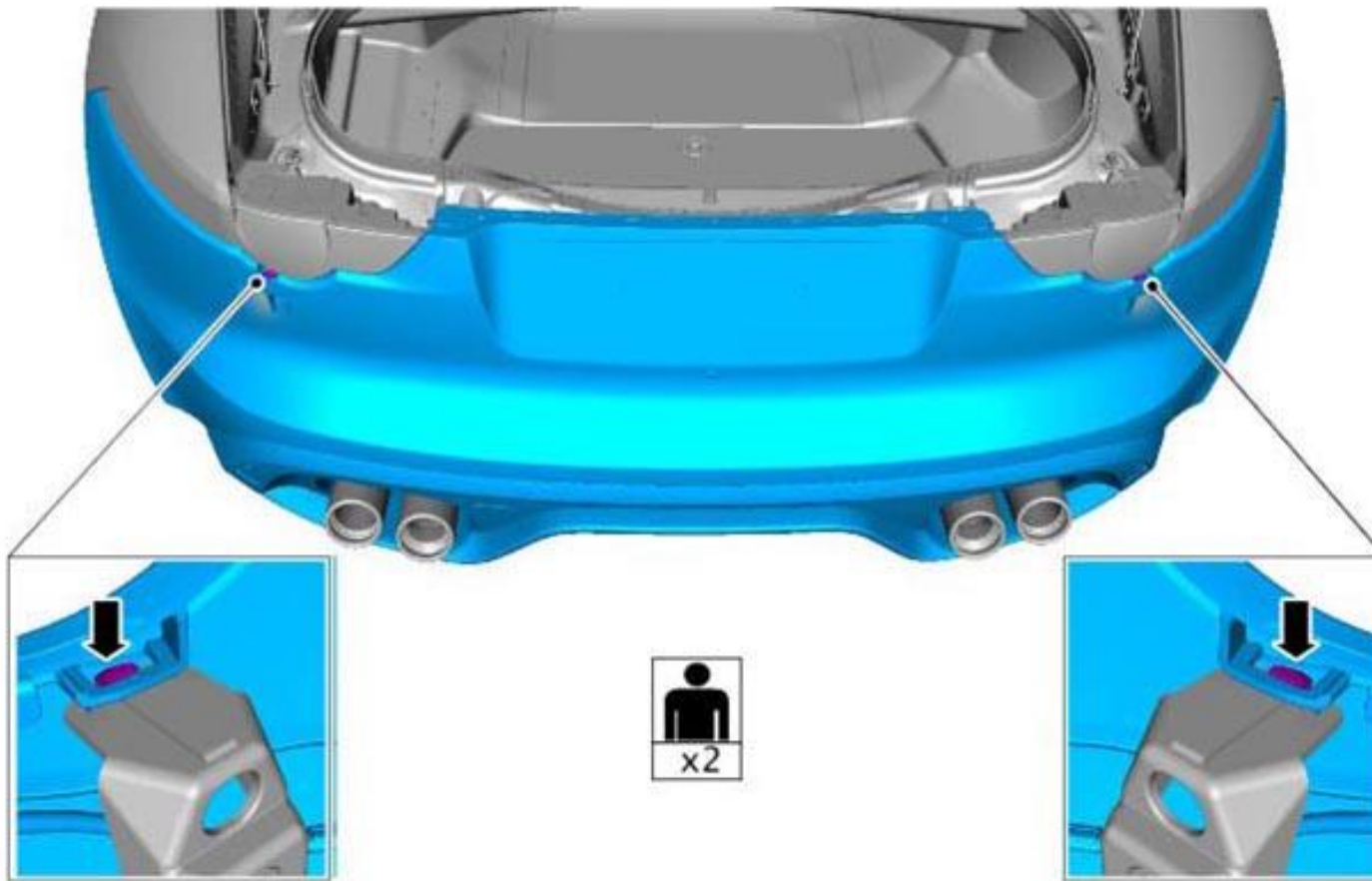
V8



E153515

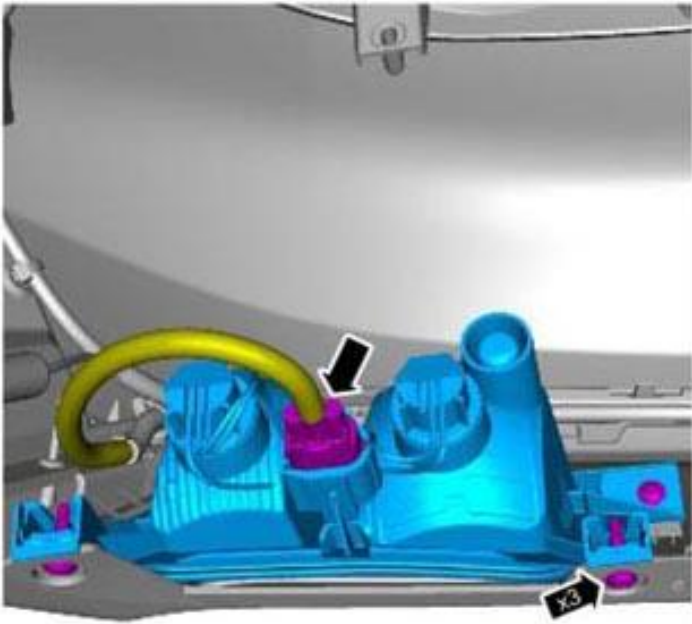
Torque Specification: 4.1 Nm

12. **NOTE:** Do not disassemble further if the component is removed for access only.

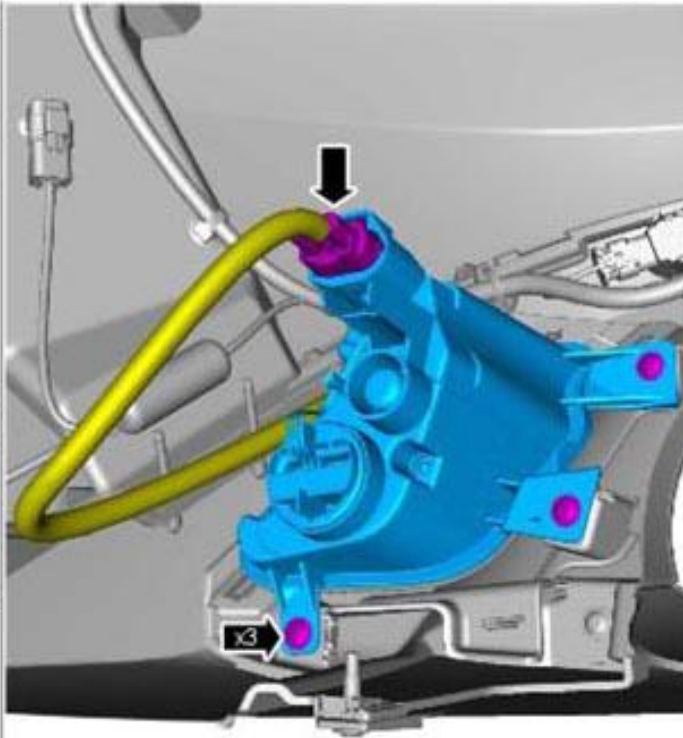


E162483

13. **NOTE:** The step must be carried out on both sides.



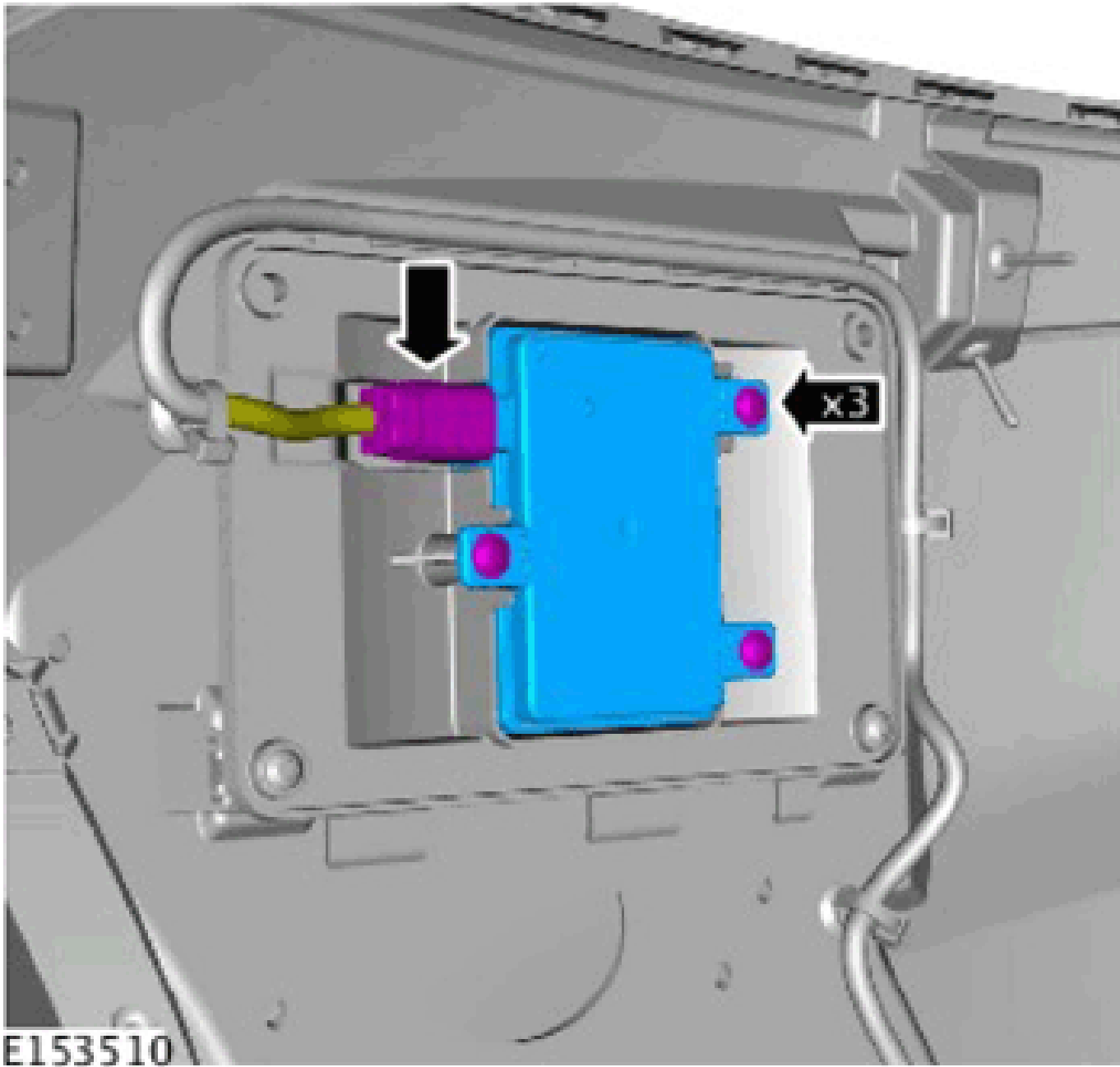
V6



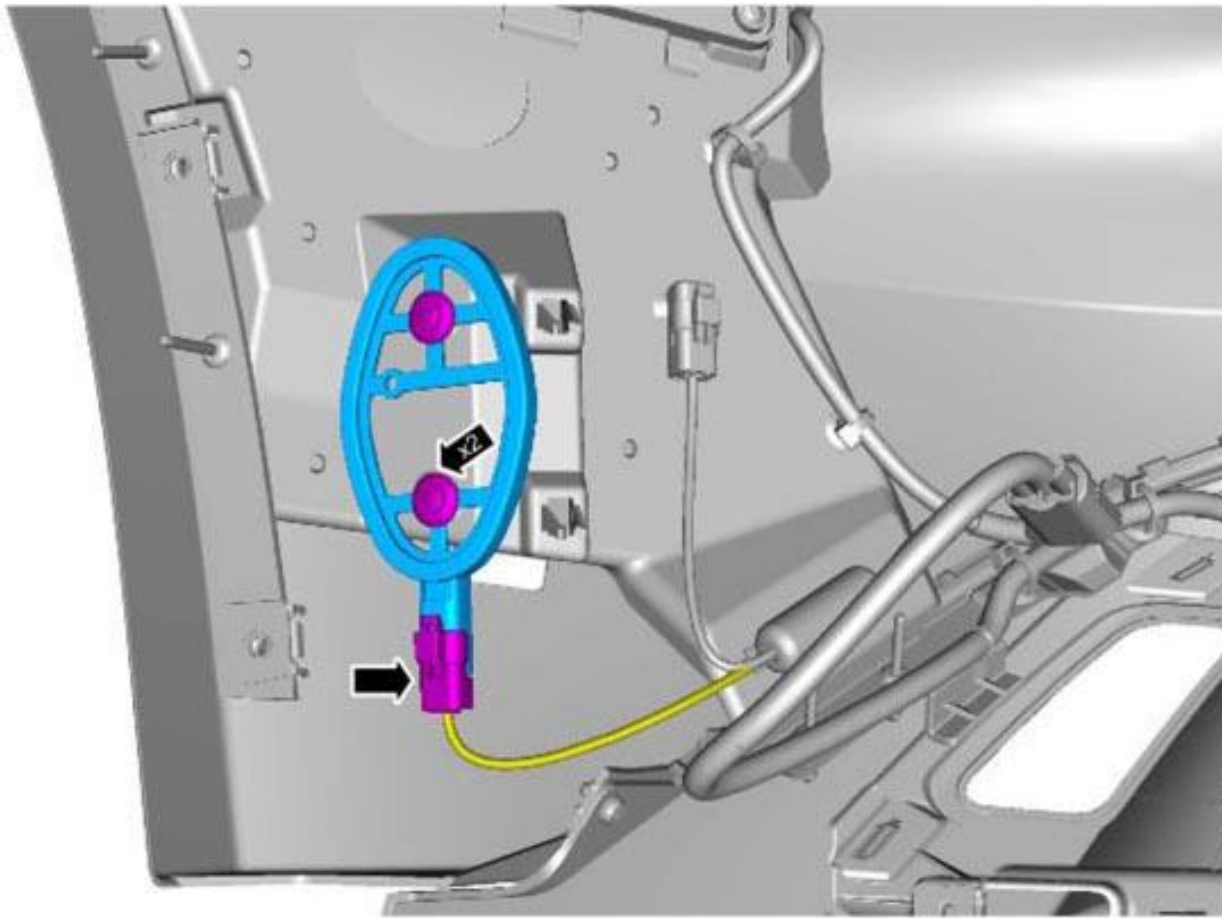
V8

E153514

14. **NOTE:** The step must be carried out on both sides.

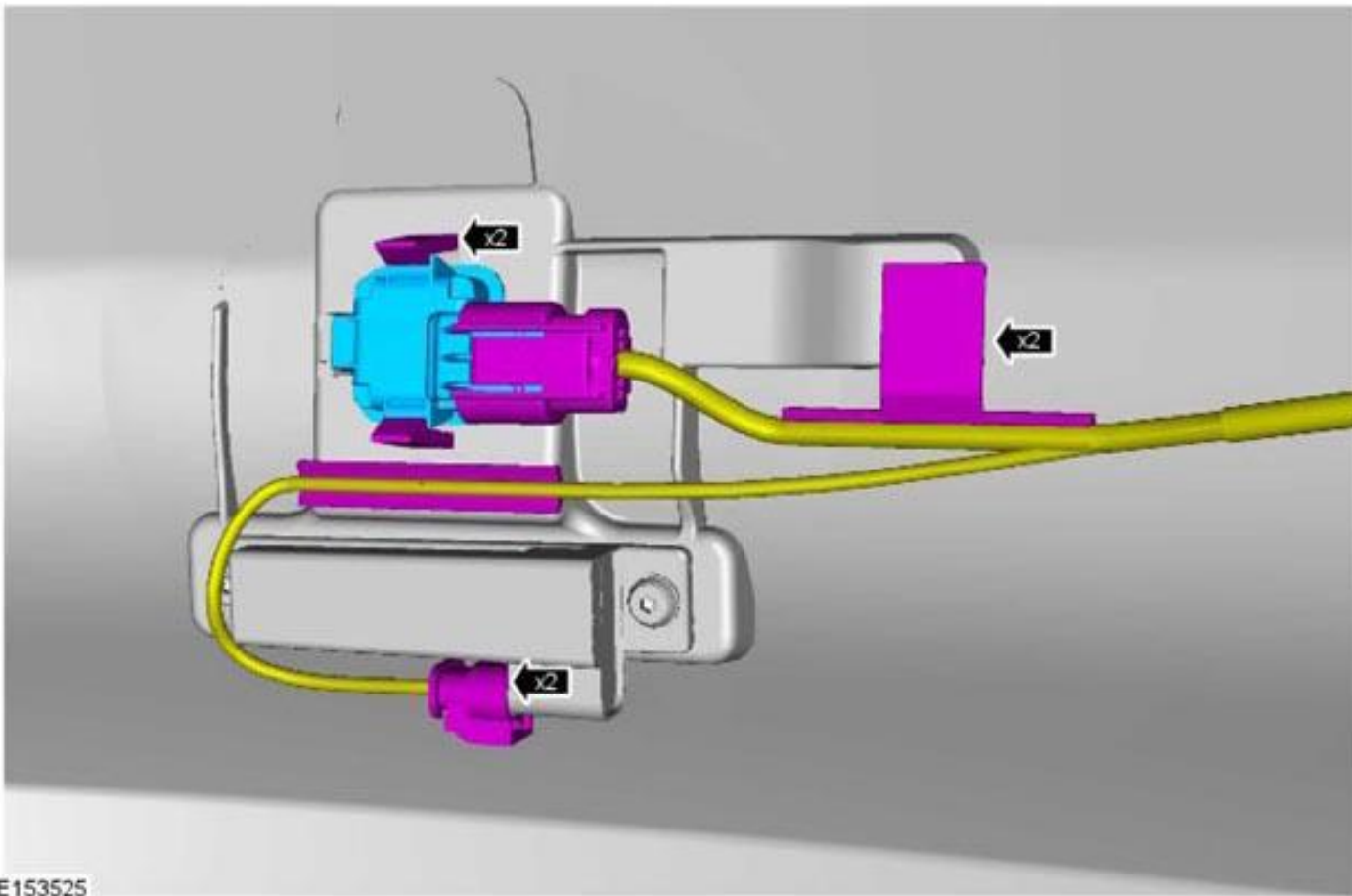


15. **NOTE:** The step must be carried out on both sides.



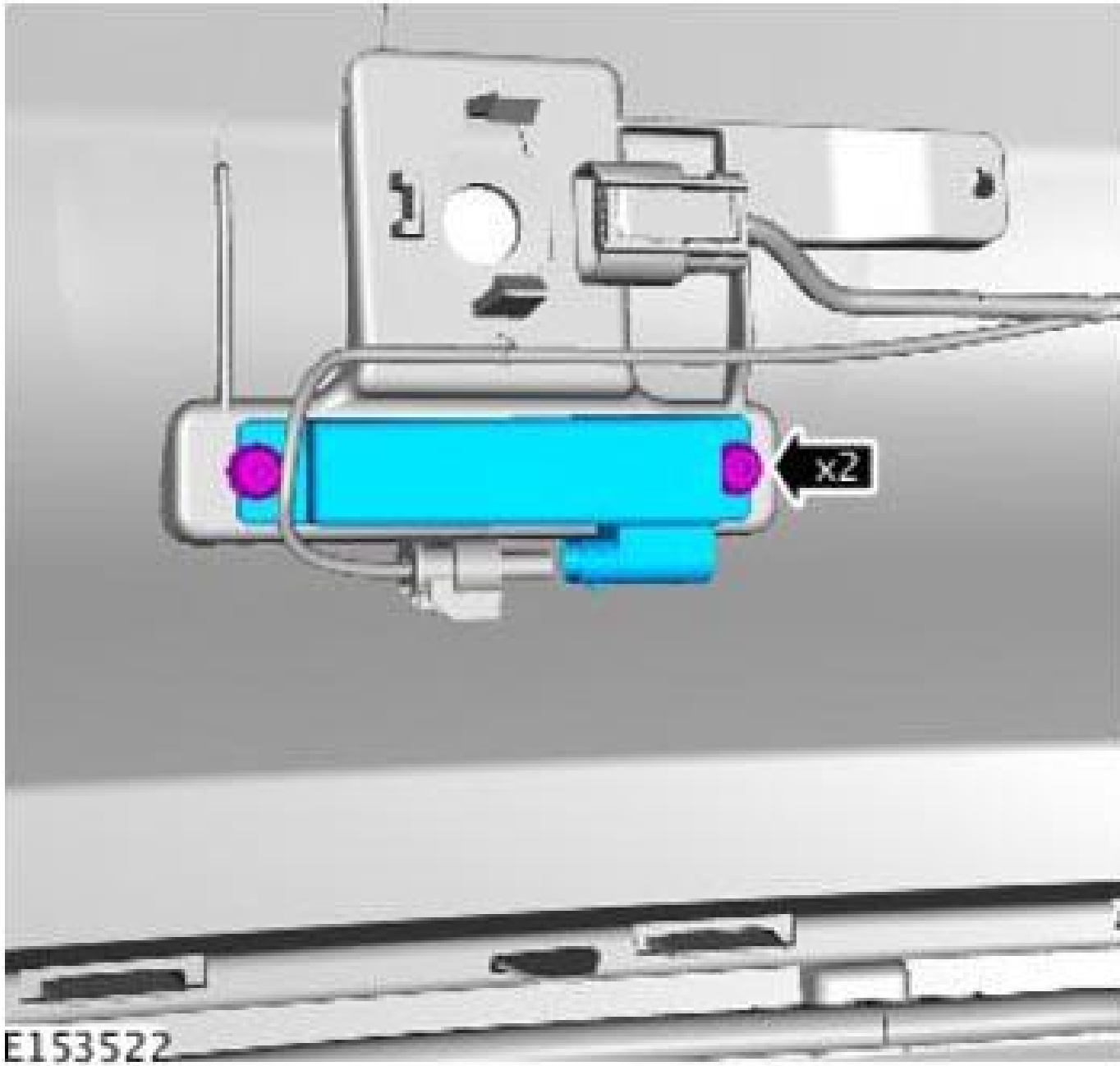
E153527

16. **NOTE:** If equipped.

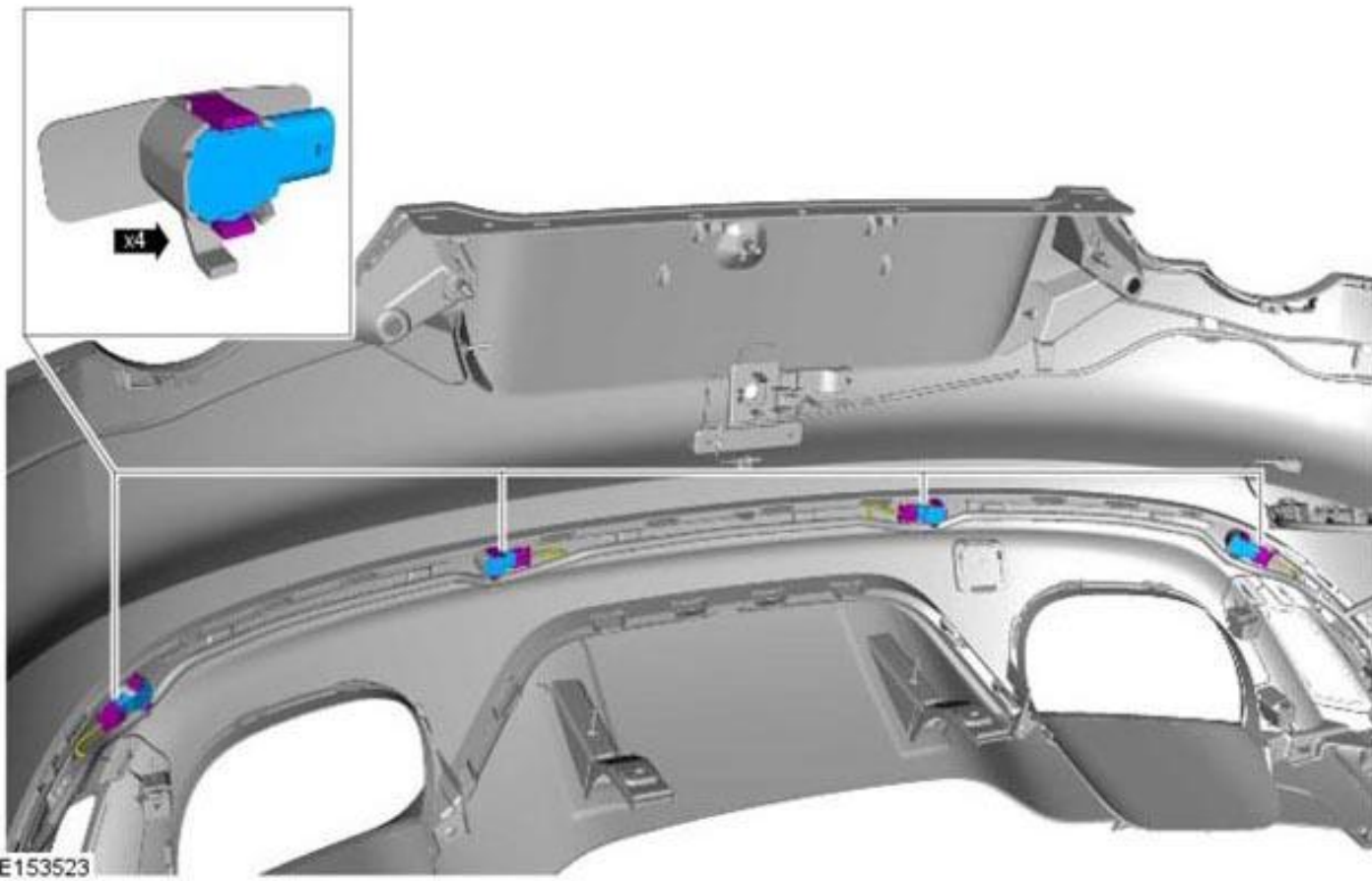


E153525

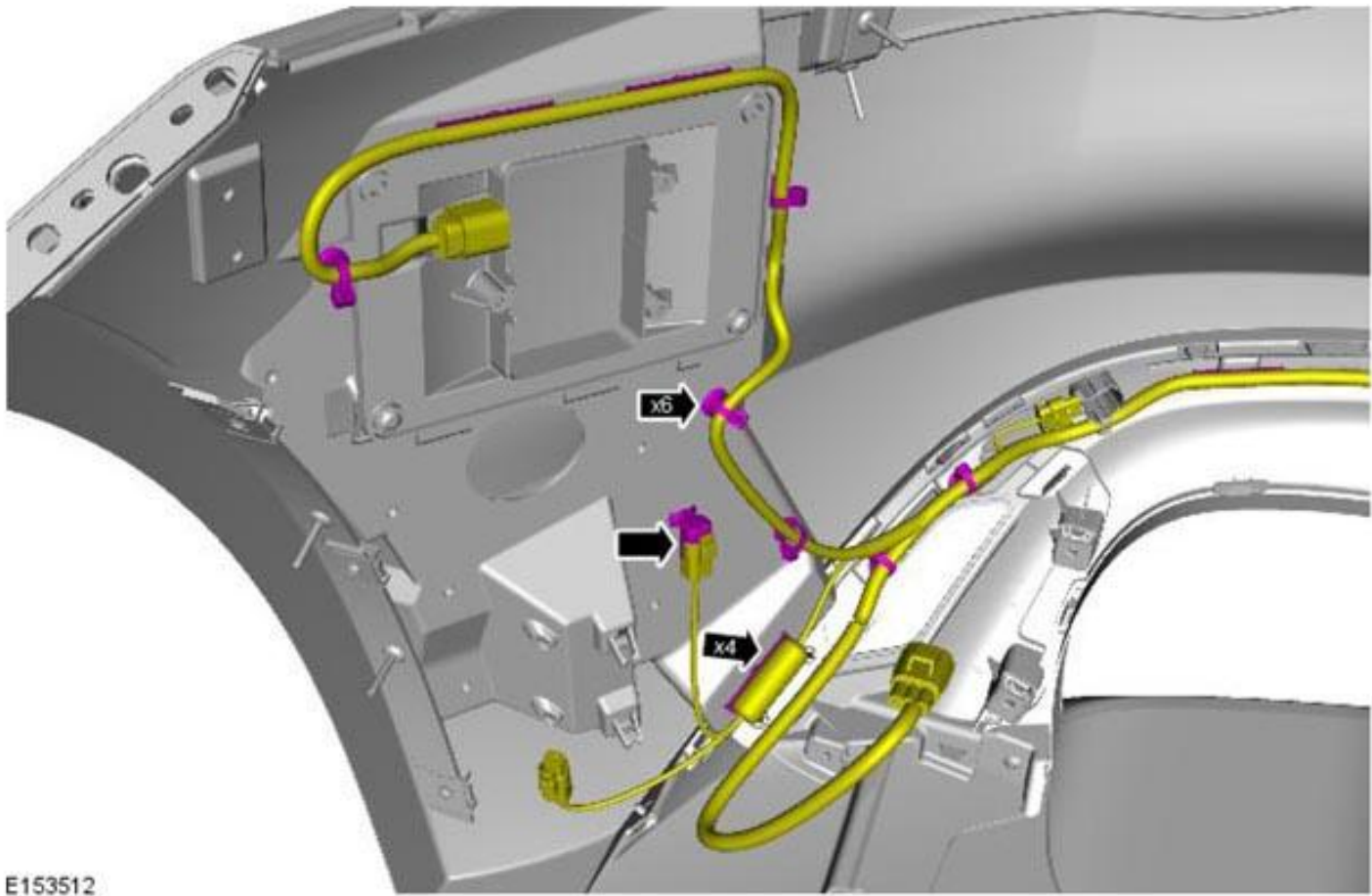
17.



18.

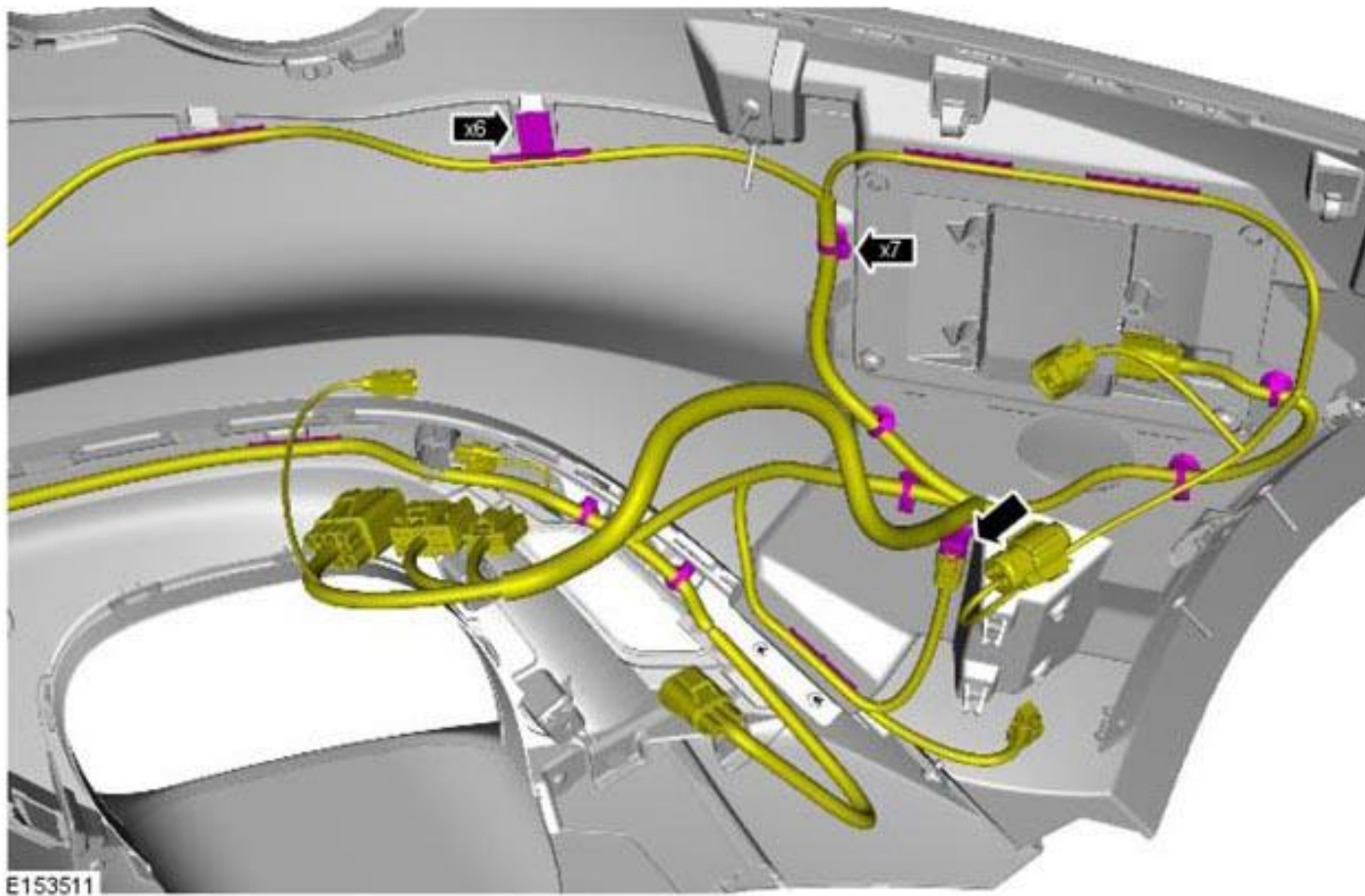


19.



E153512

20.



21.



E153526

INSTALLATION

1. To install, reverse the removal procedure.

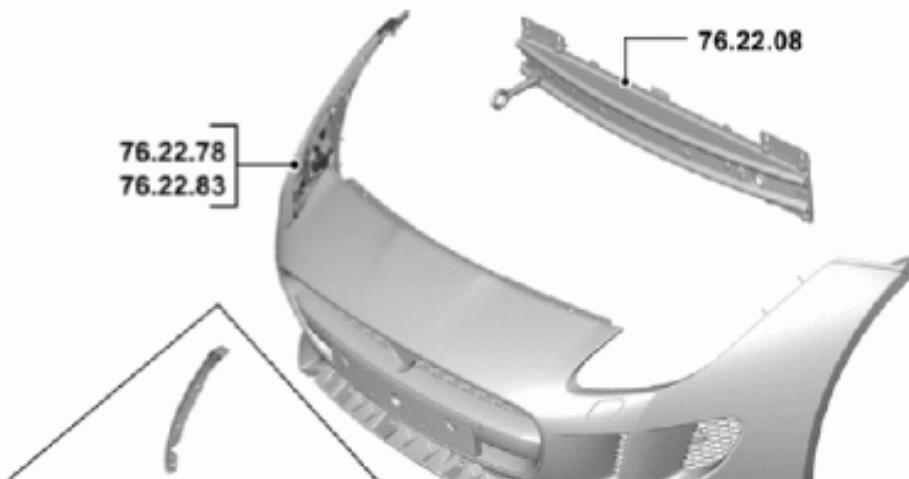
REAR BUMPER COVER - COUPE (G1715745)

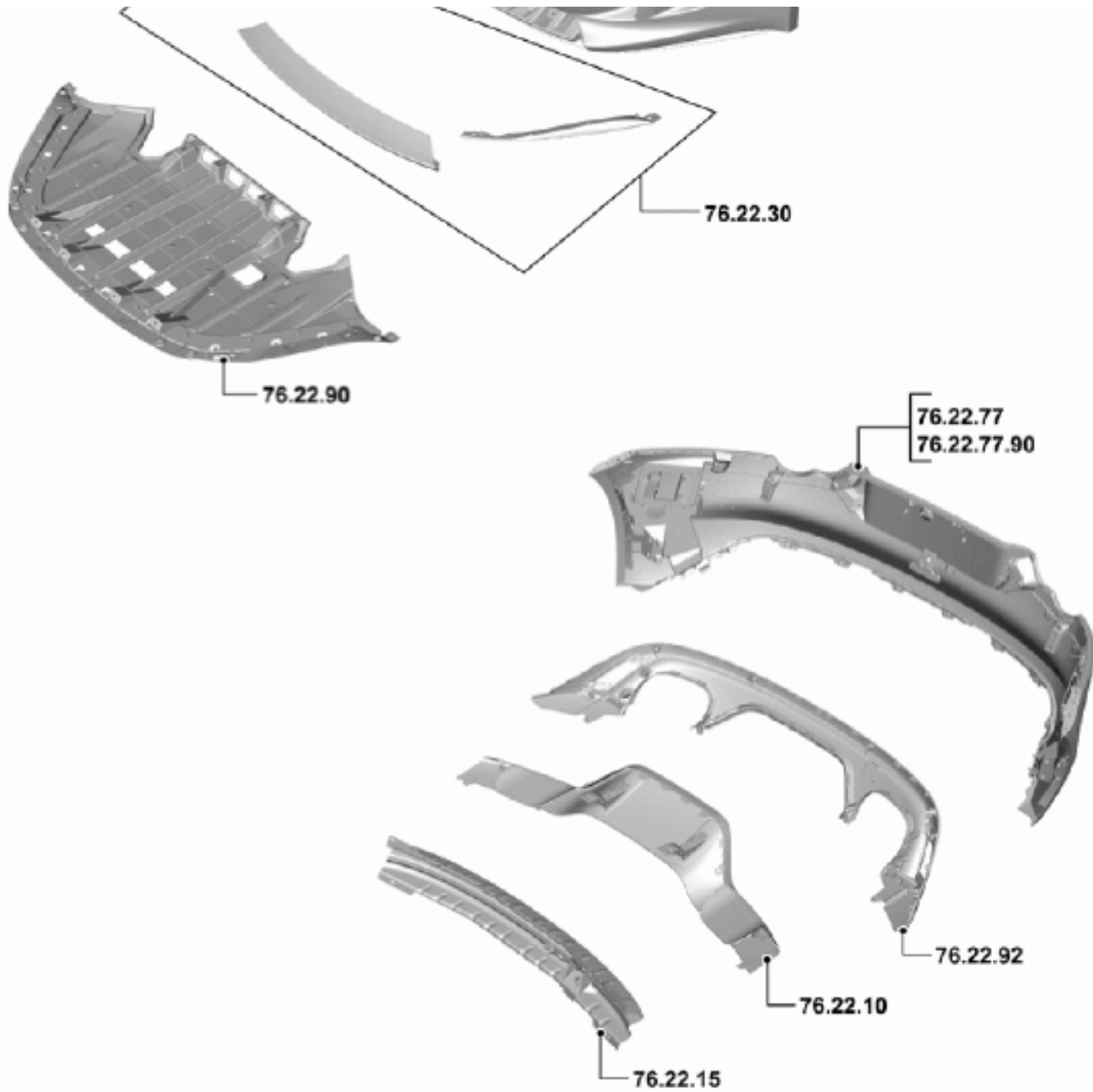
76.22.77

REAR BUMPER COVER - RENEW

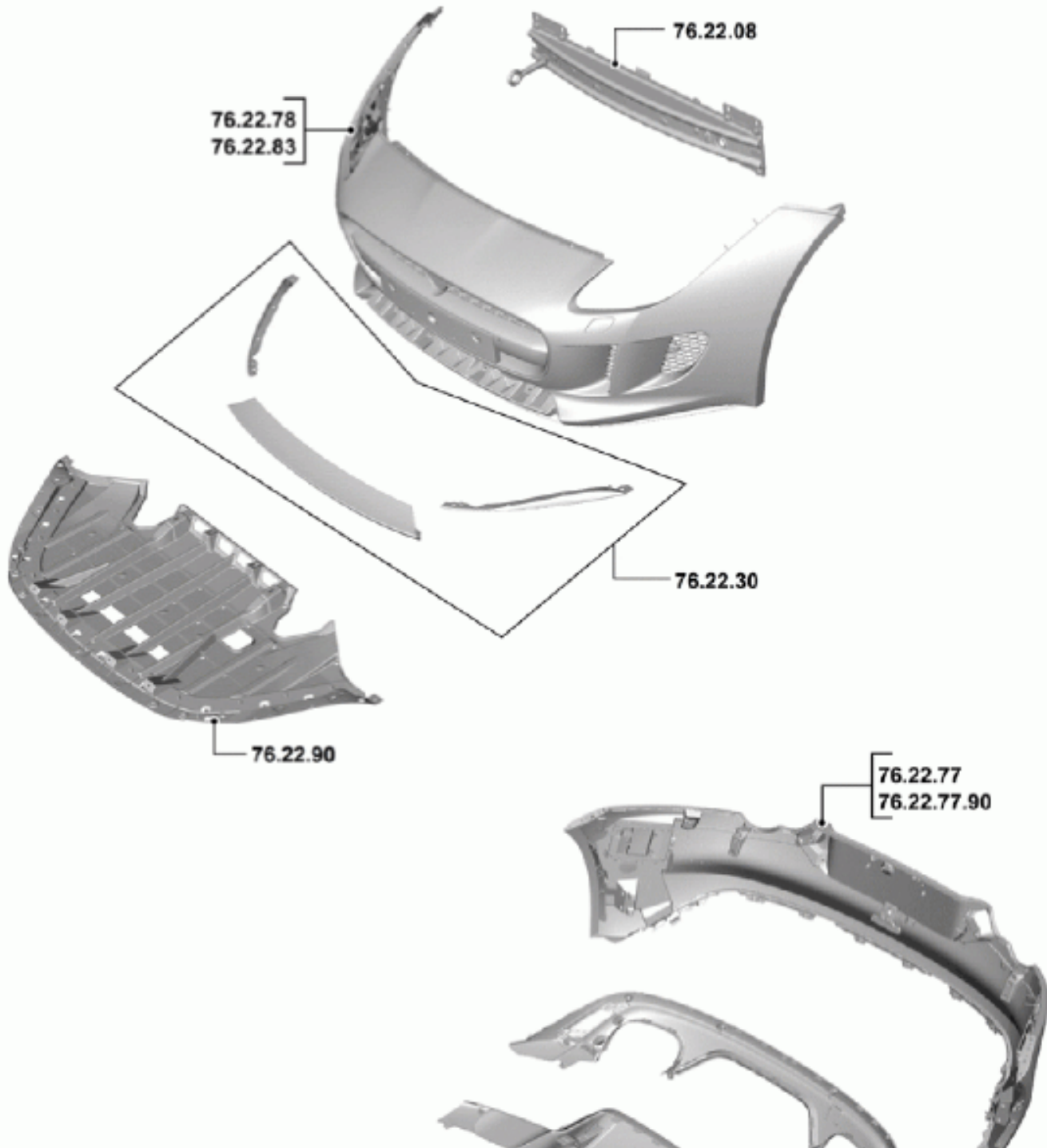
CABRIOLET

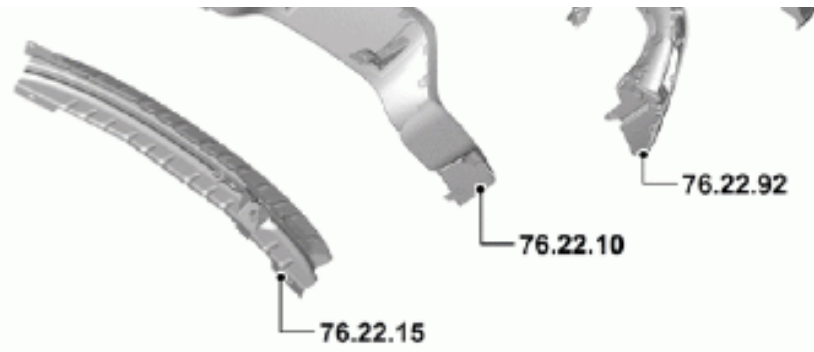
2.6





JRT1231





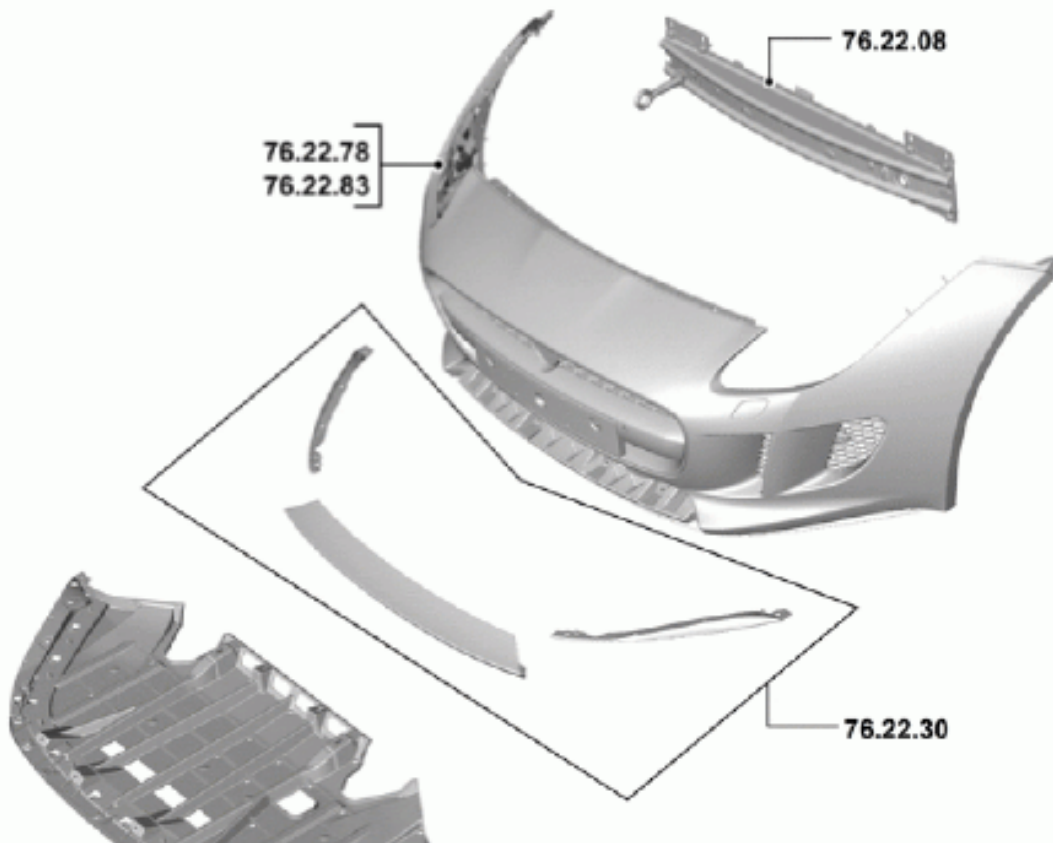
JRT1231

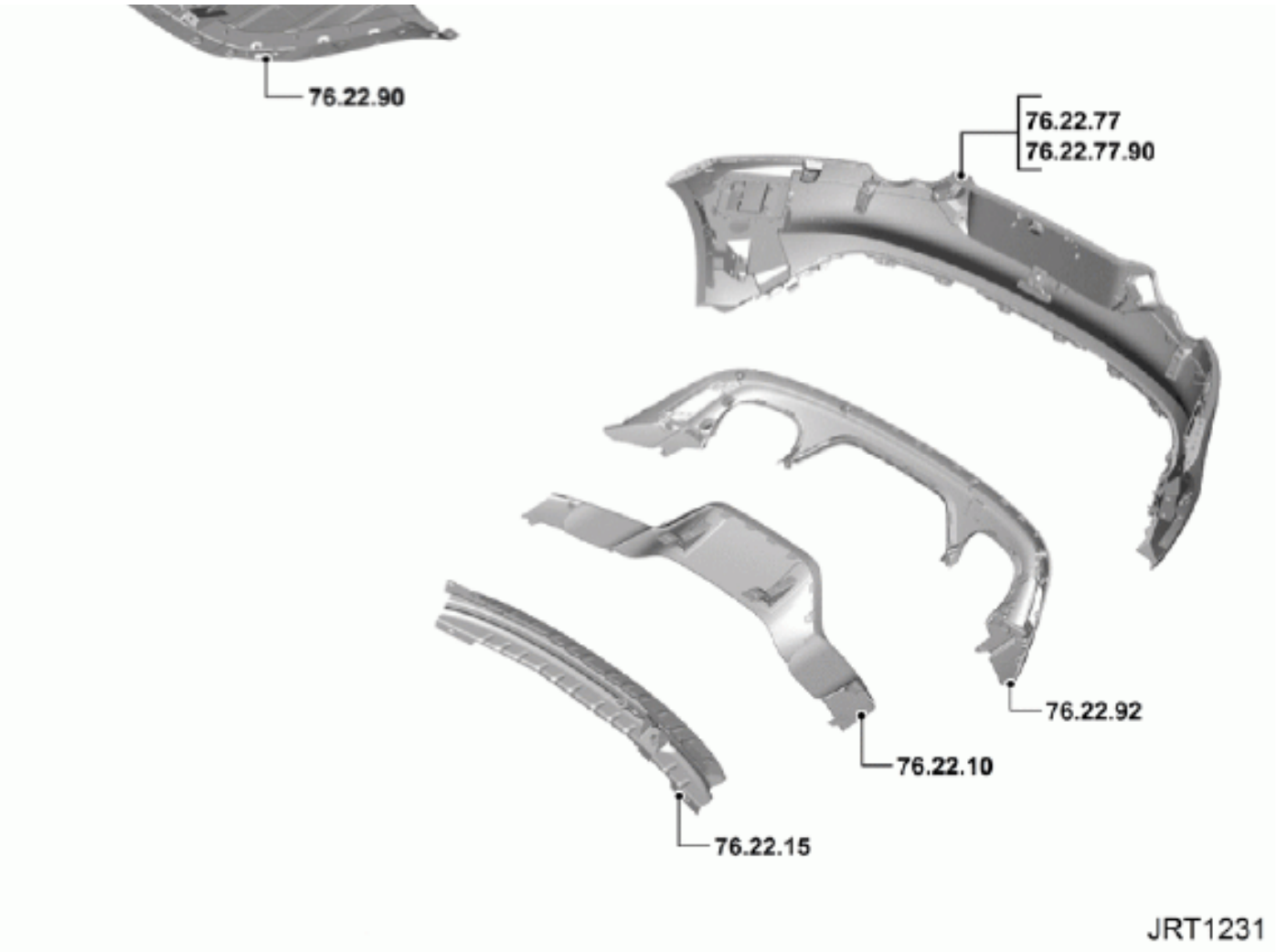
76.22.77

REAR BUMPER COVER - RENEW

COUPE

2.5





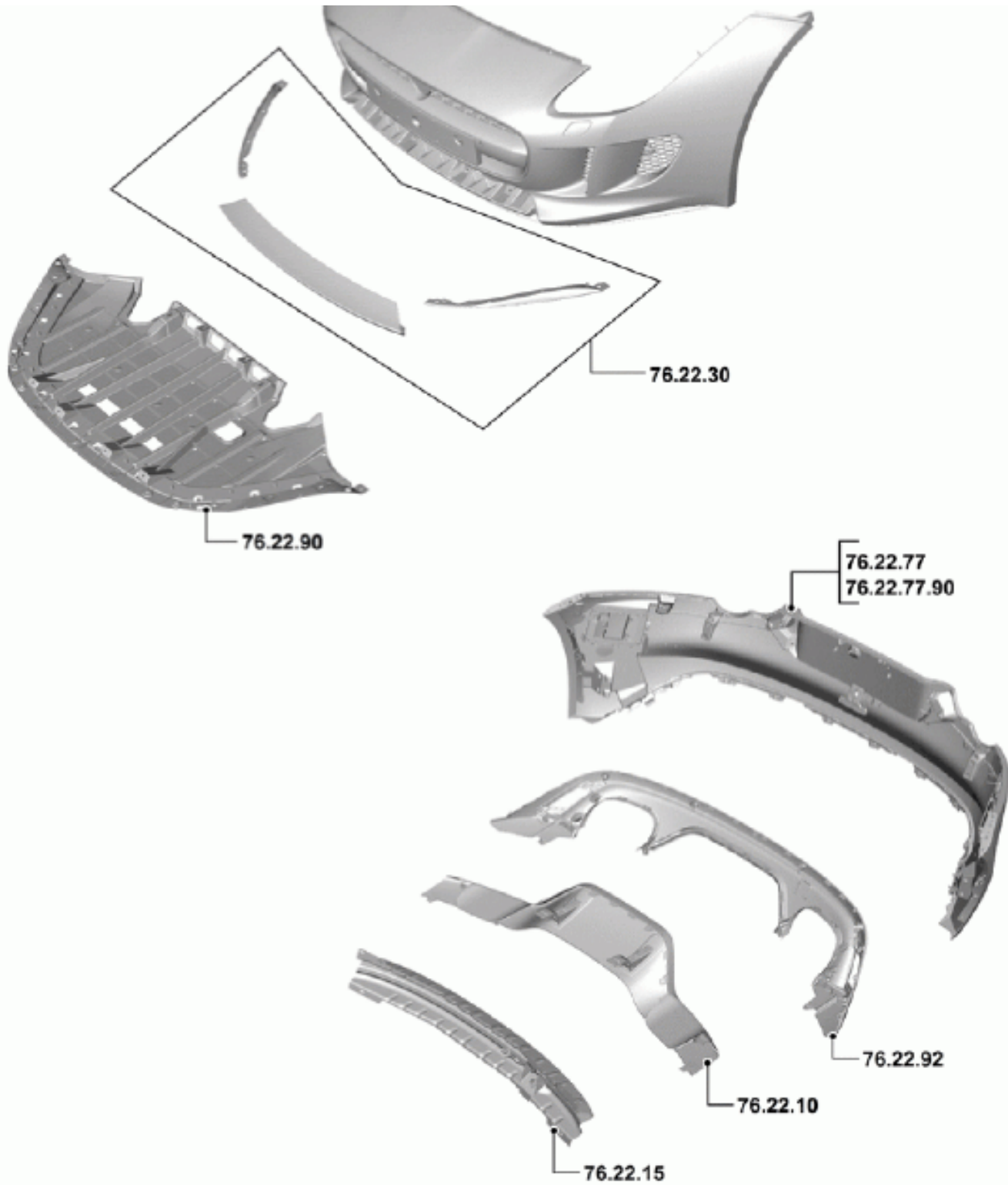
76.22.77

REAR BUMPER COVER - RENEW

PROJECT 7

2.8





REMOVAL

CAUTION: Always protect paintwork and glass when removing exterior components.

NOTE: Removal steps in this procedure may contain installation details.

1. **Make sure to support the vehicle with axle stands.**

Raise and support the vehicle.

2. **NOTE:** The procedure must be carried out on both sides.

Refer to: **Wheel and Tire** (Removal and Installation).

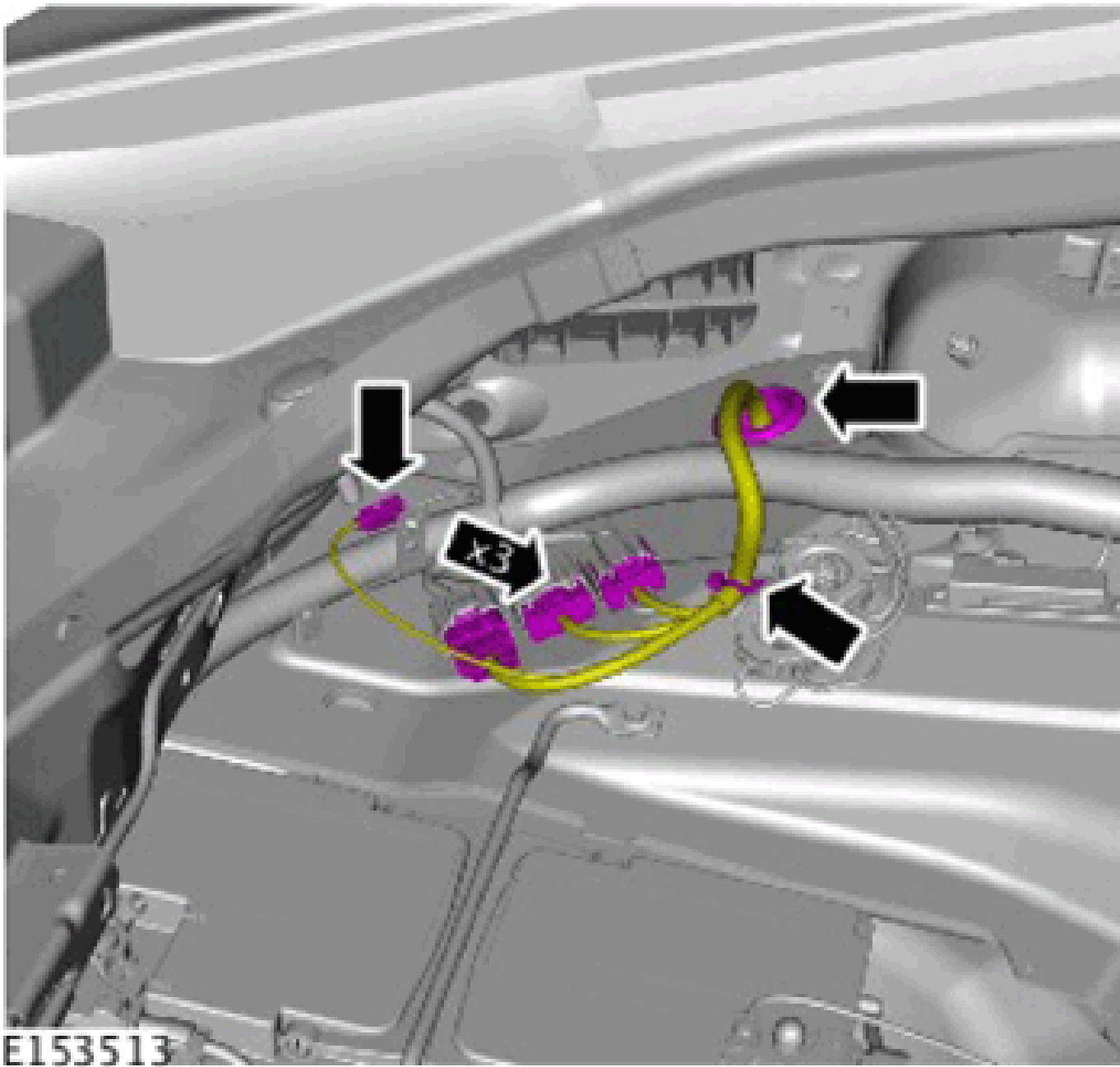
3. **NOTE:** LH side only.

Refer to: **Loadspace Trim Panel - Coupe** (Removal and Installation).

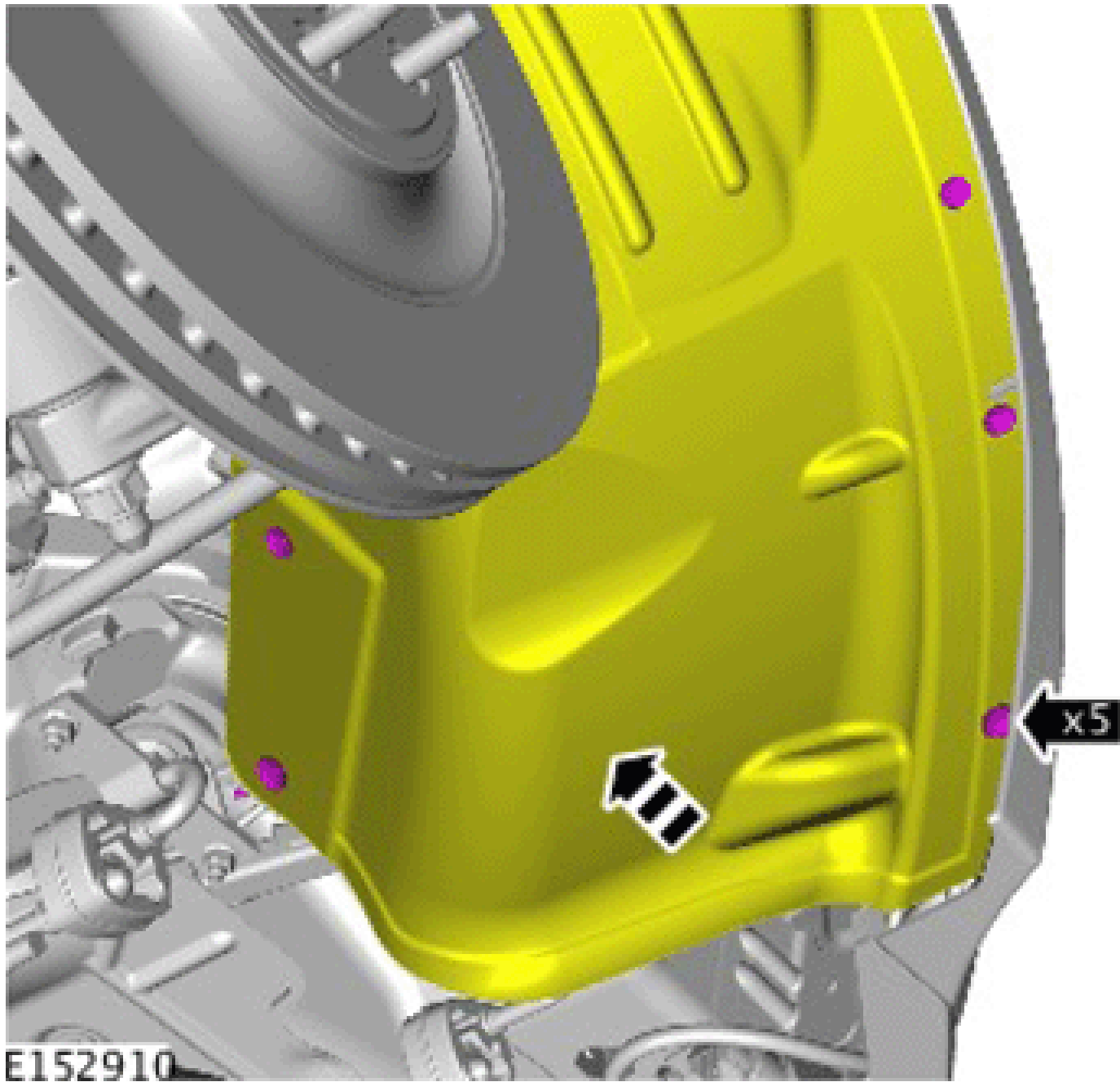
4. If equipped.

Refer to: **Rear Diffuser** (Removal and Installation).

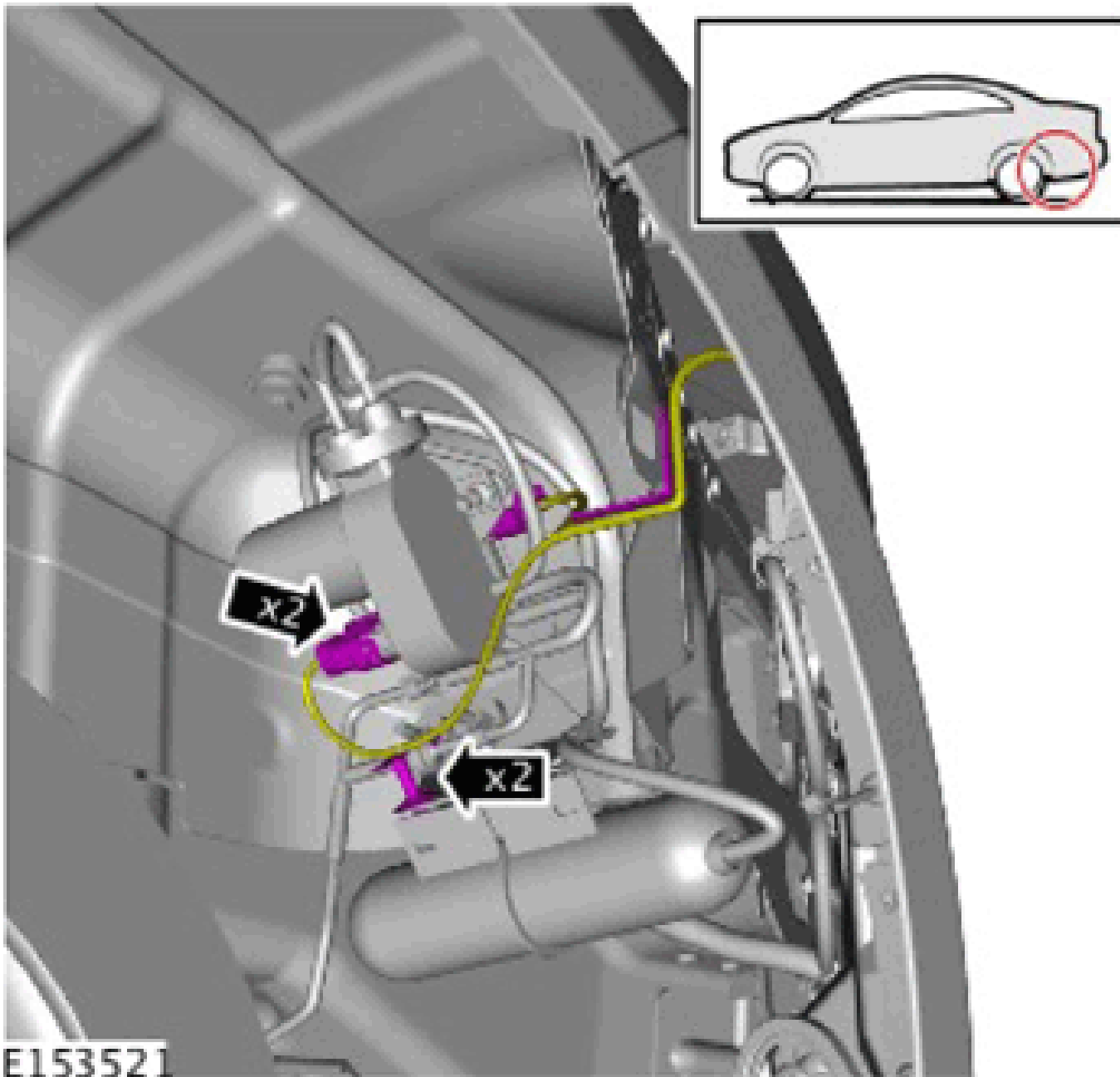
- 5.



6. **NOTE:** The step must be carried out on both sides.



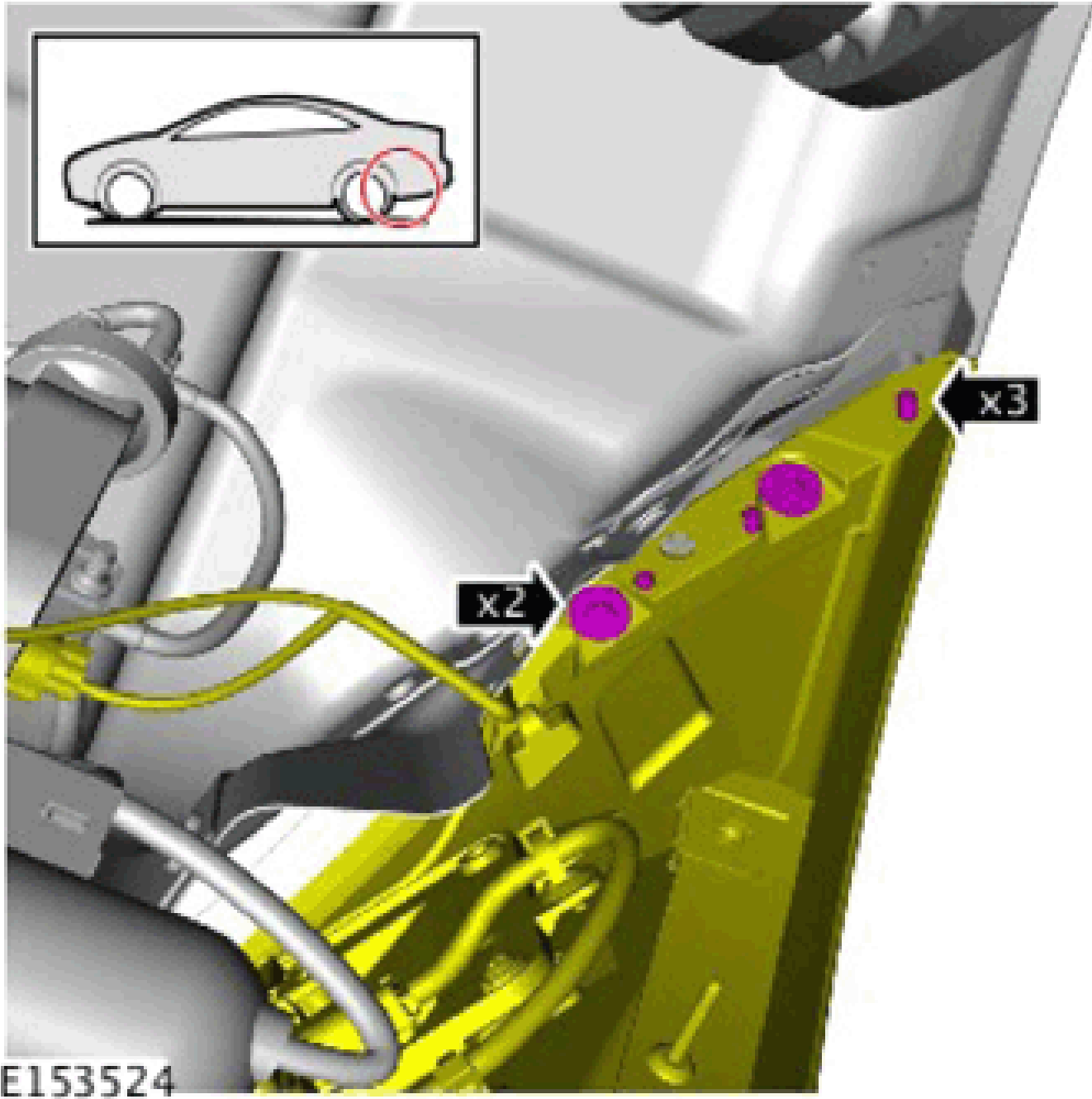
7.



8. **NOTE:**

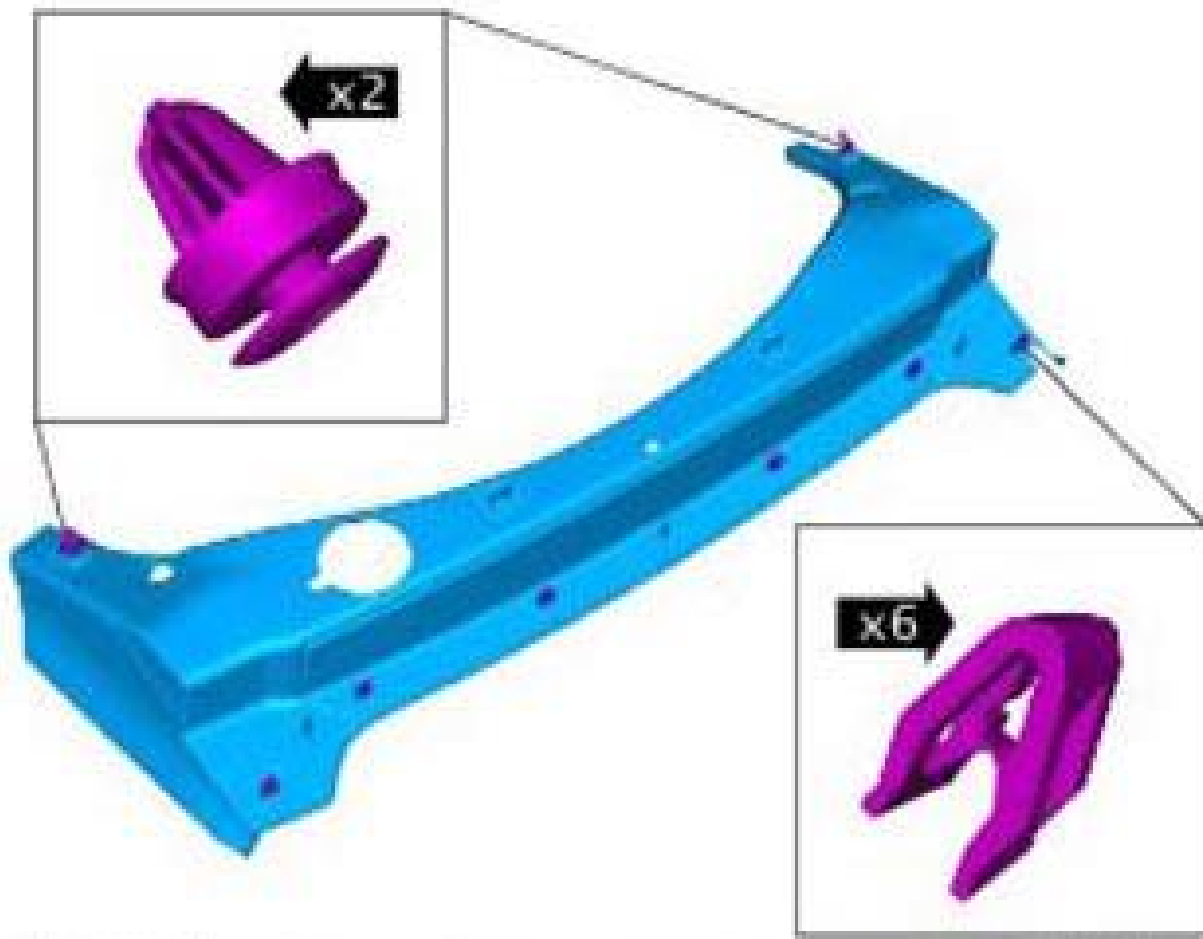
The step must be carried out on both sides.

Make sure that the component is installed to the noted removal position.



Torque Specification: 4.1 Nm

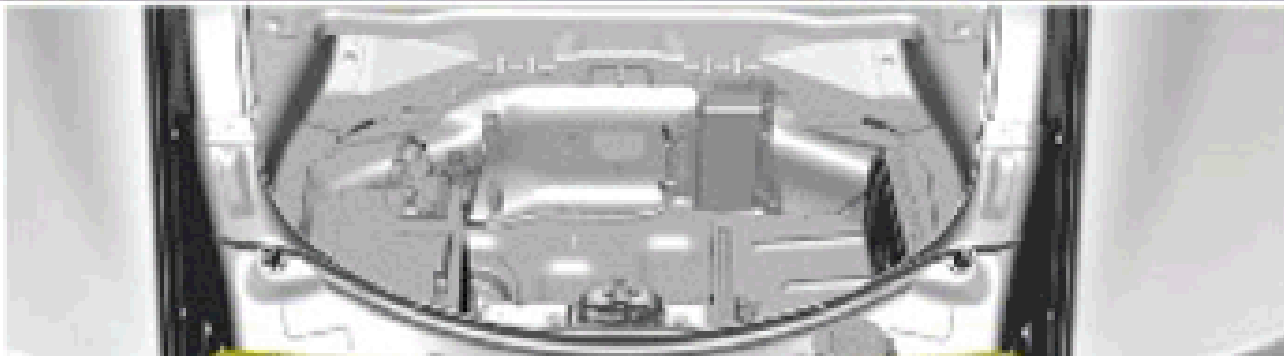
9.





E162485

10.



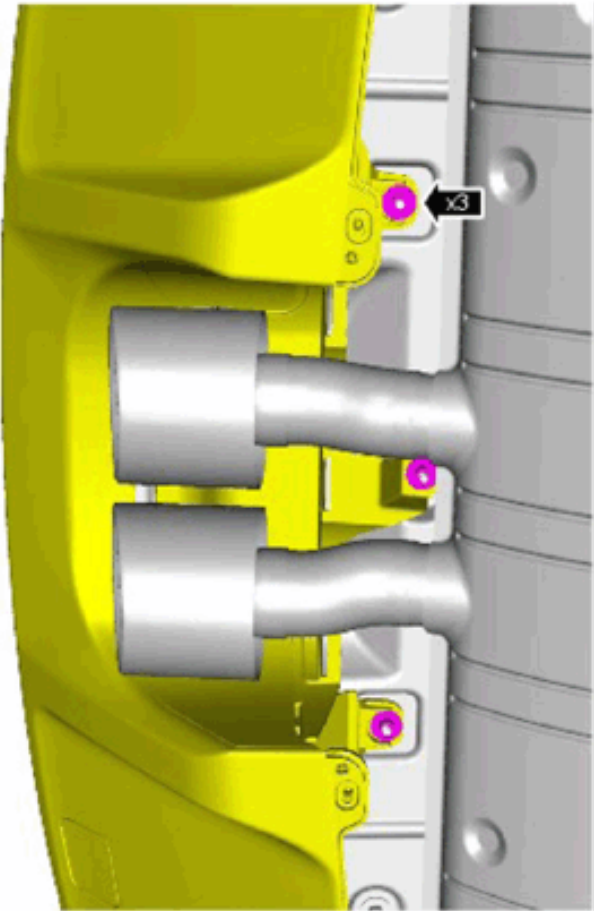


E153518

Torque Specification: 4.1 Nm

11.

V6



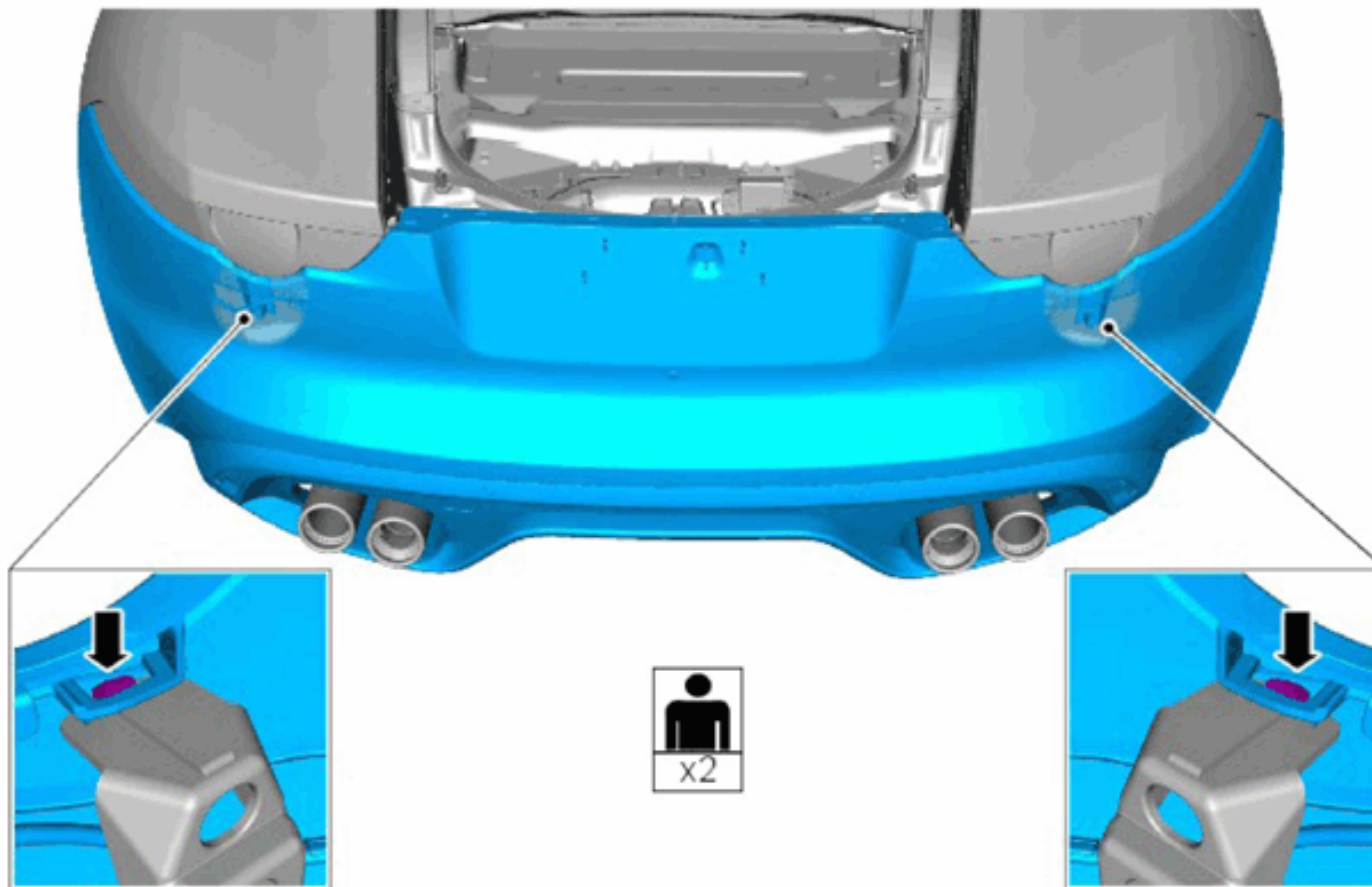
V8



E153515

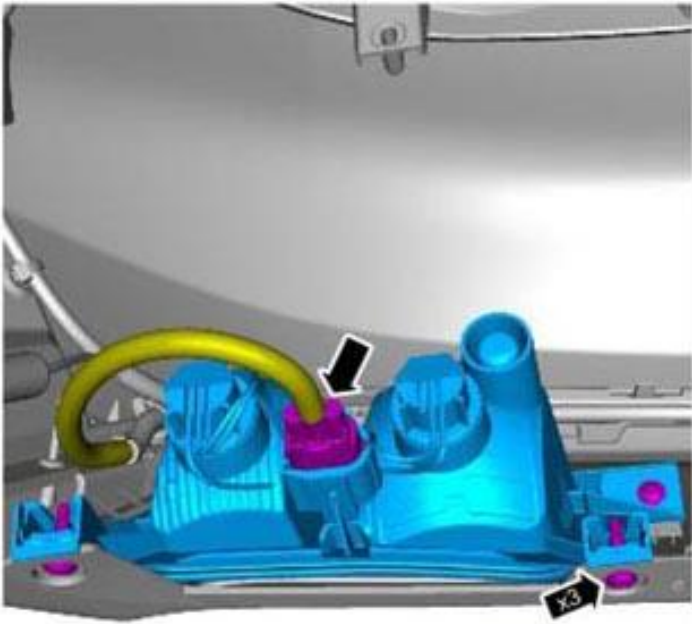
Torque Specification: 4.1 Nm

12. **NOTE:** Do not disassemble further if the component is removed for access only.

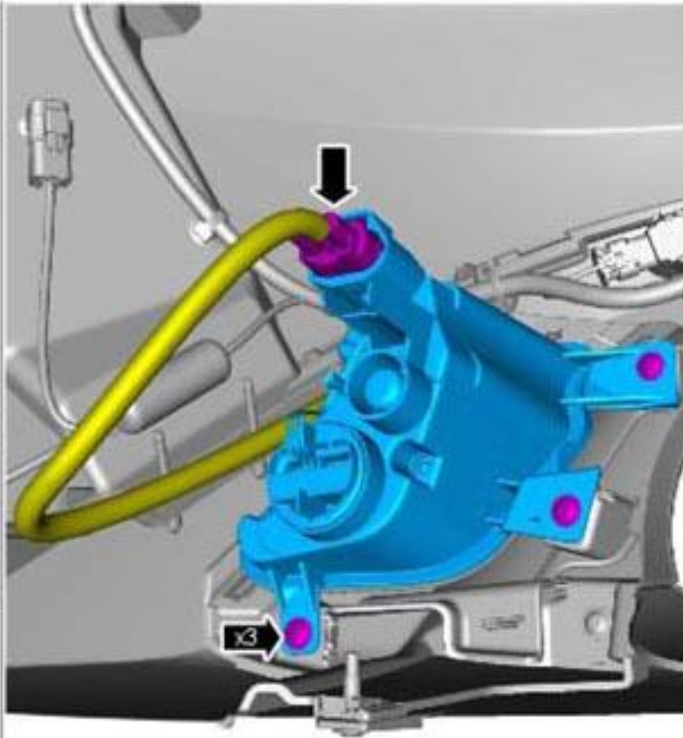


E153517

13. **NOTE:** The step must be carried out on both sides.



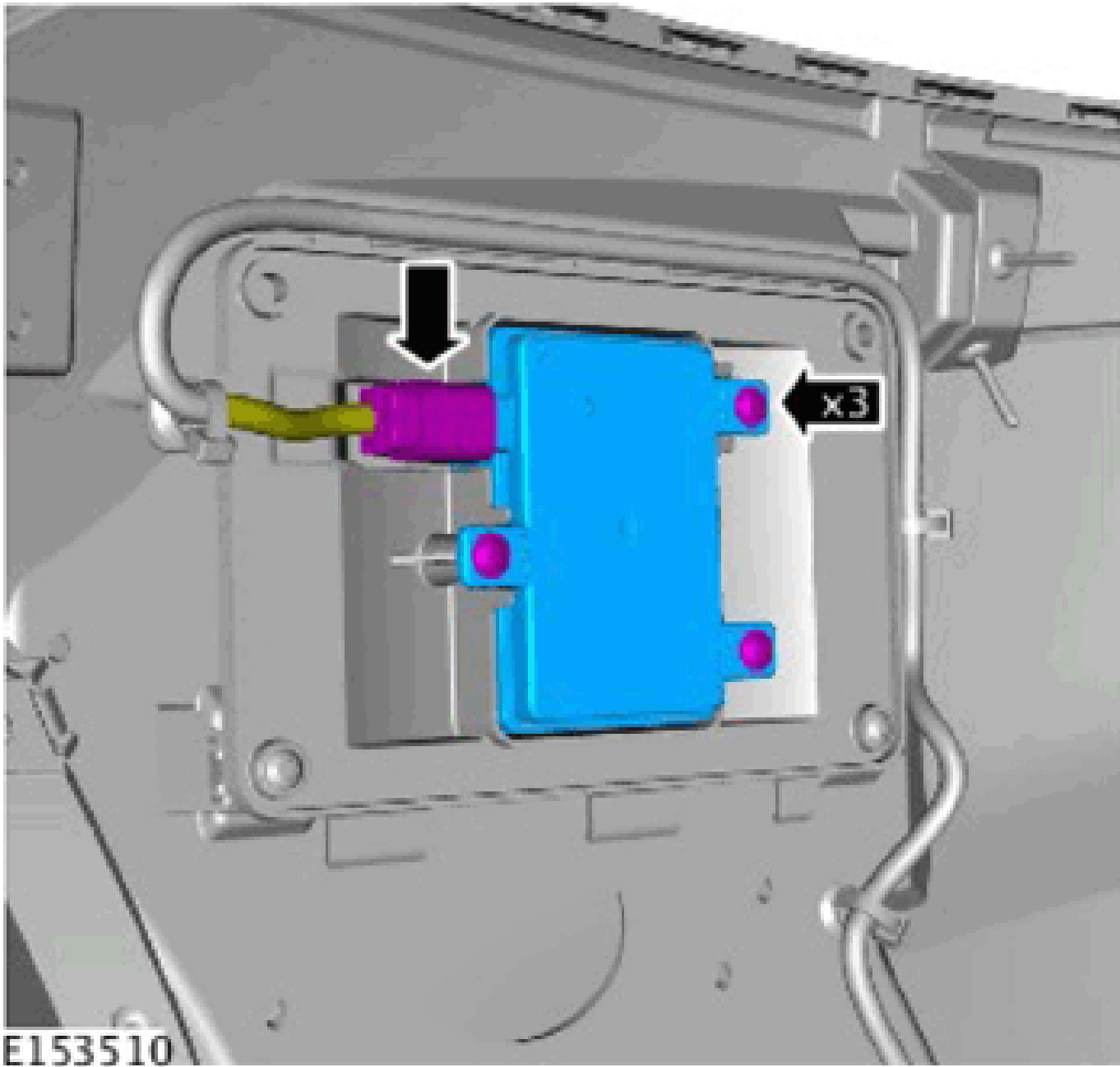
V6



V8

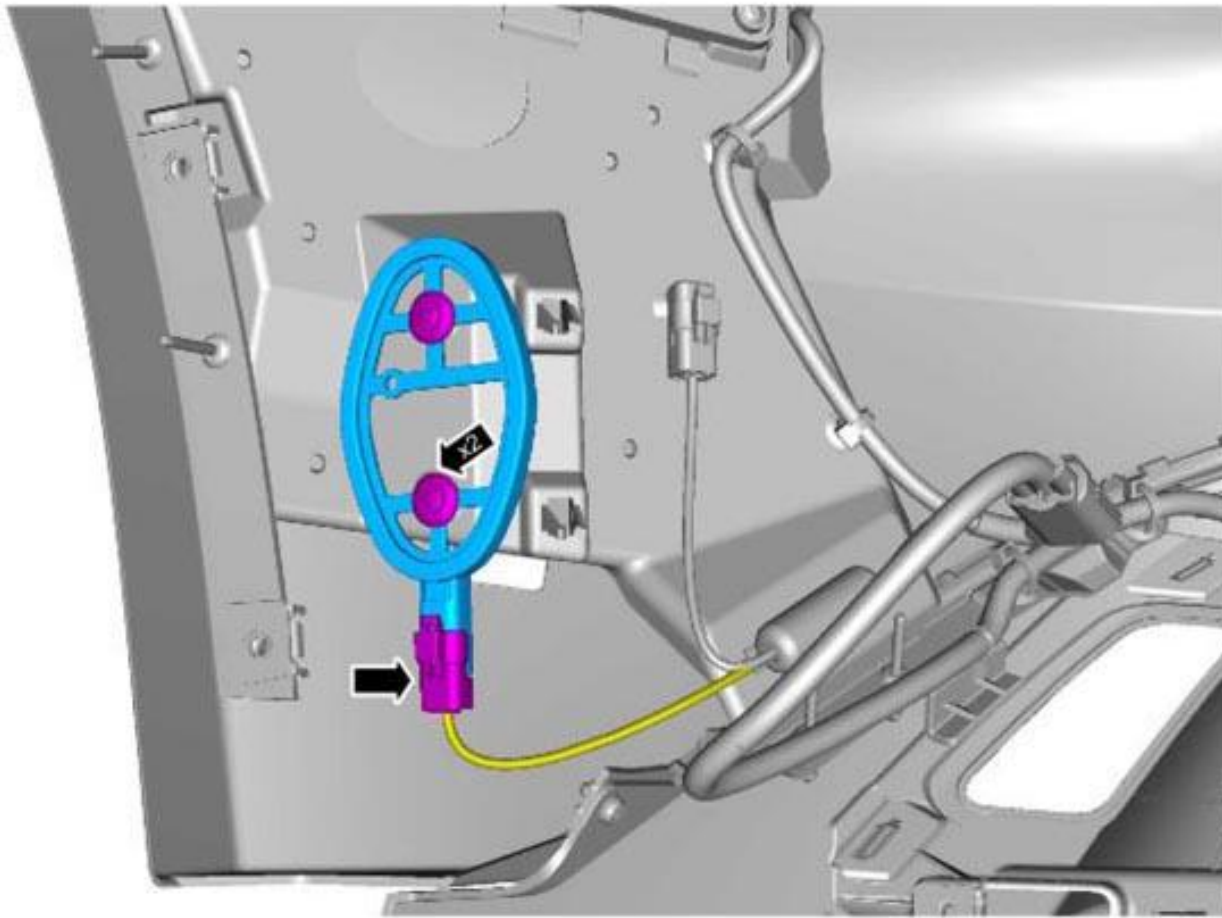
E153514

14. **NOTE:** The step must be carried out on both sides.



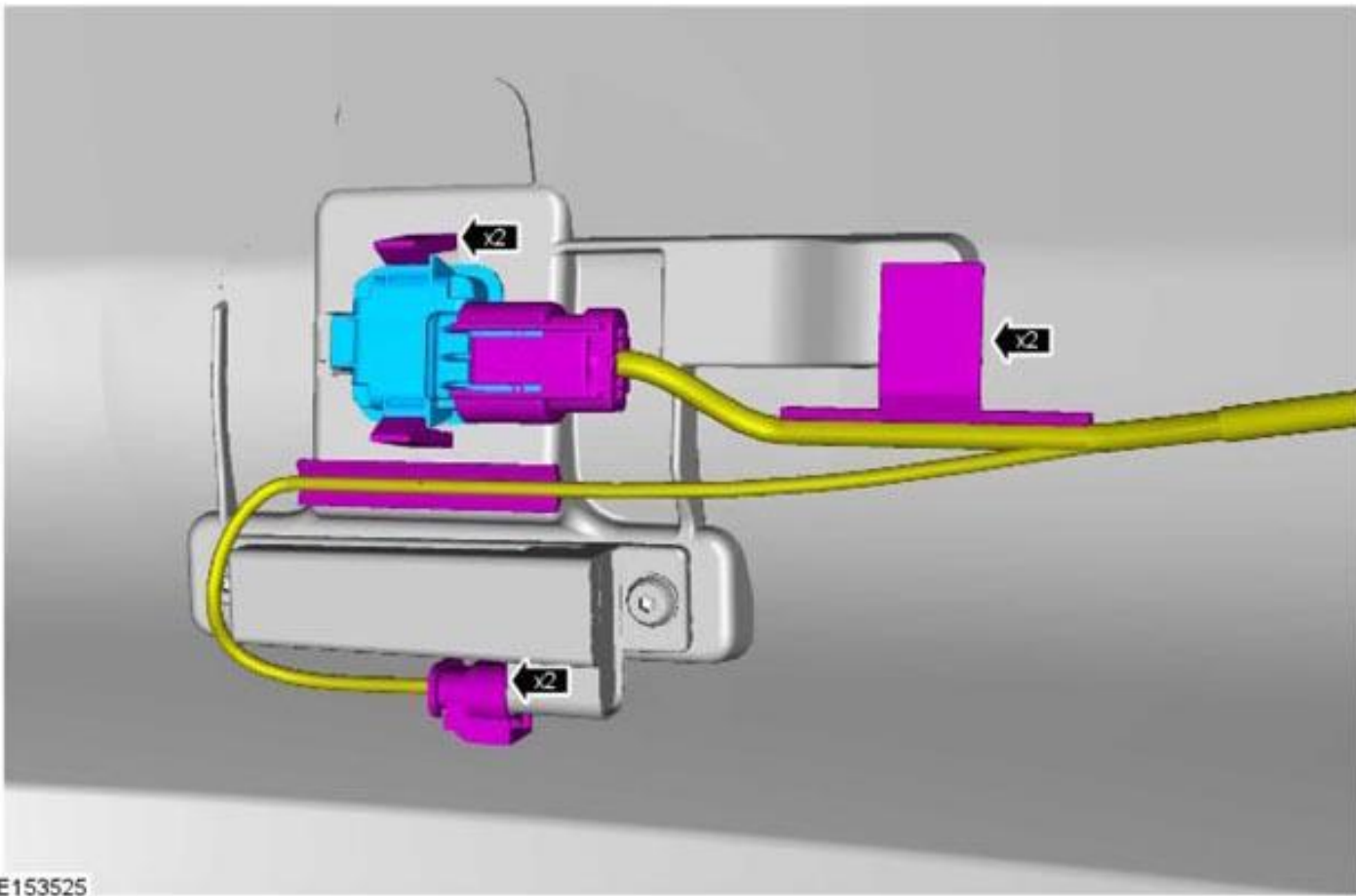
E153510

15. **NOTE:** The step must be carried out on both sides.



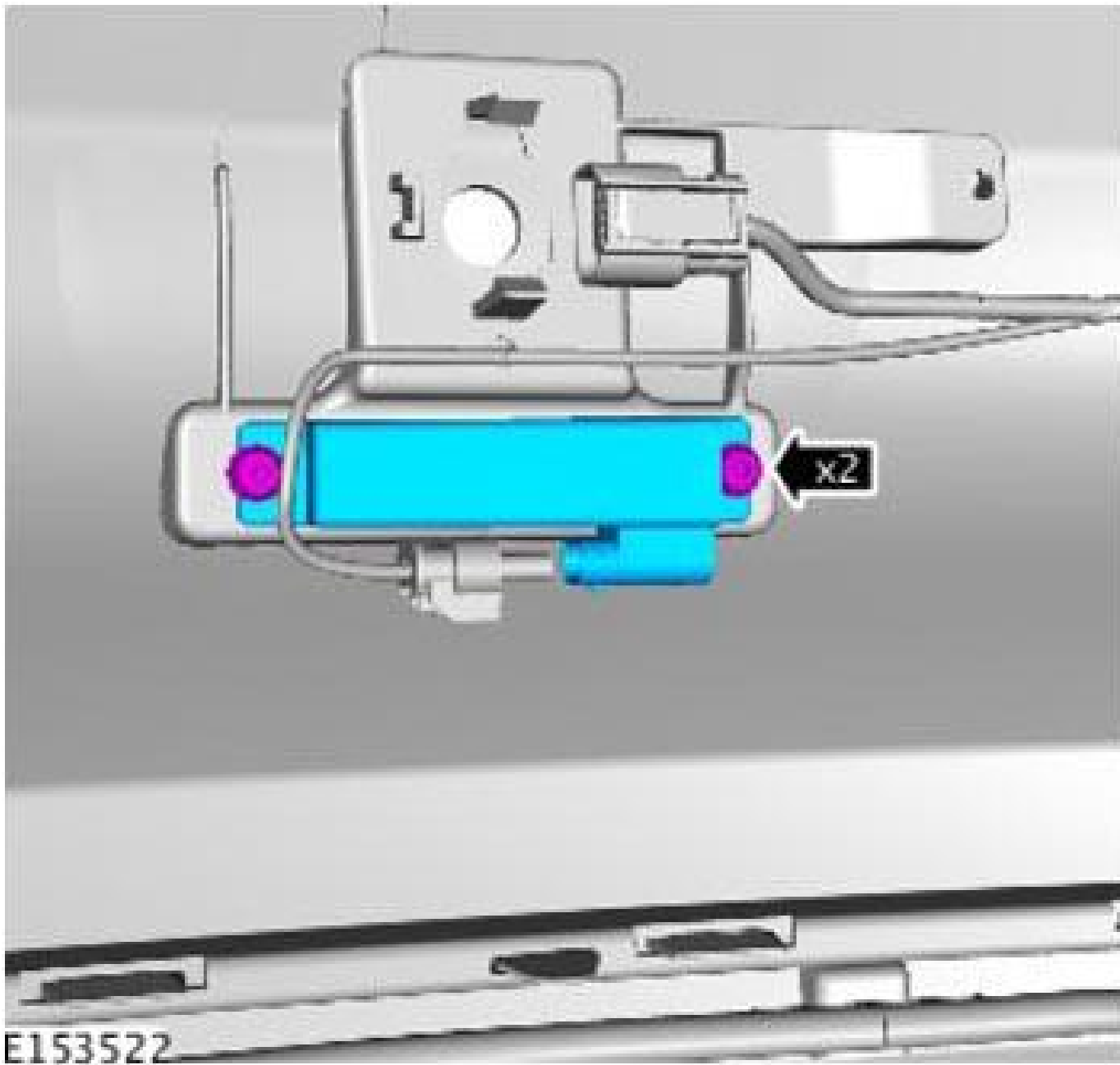
E153527

16. **NOTE:** If equipped.

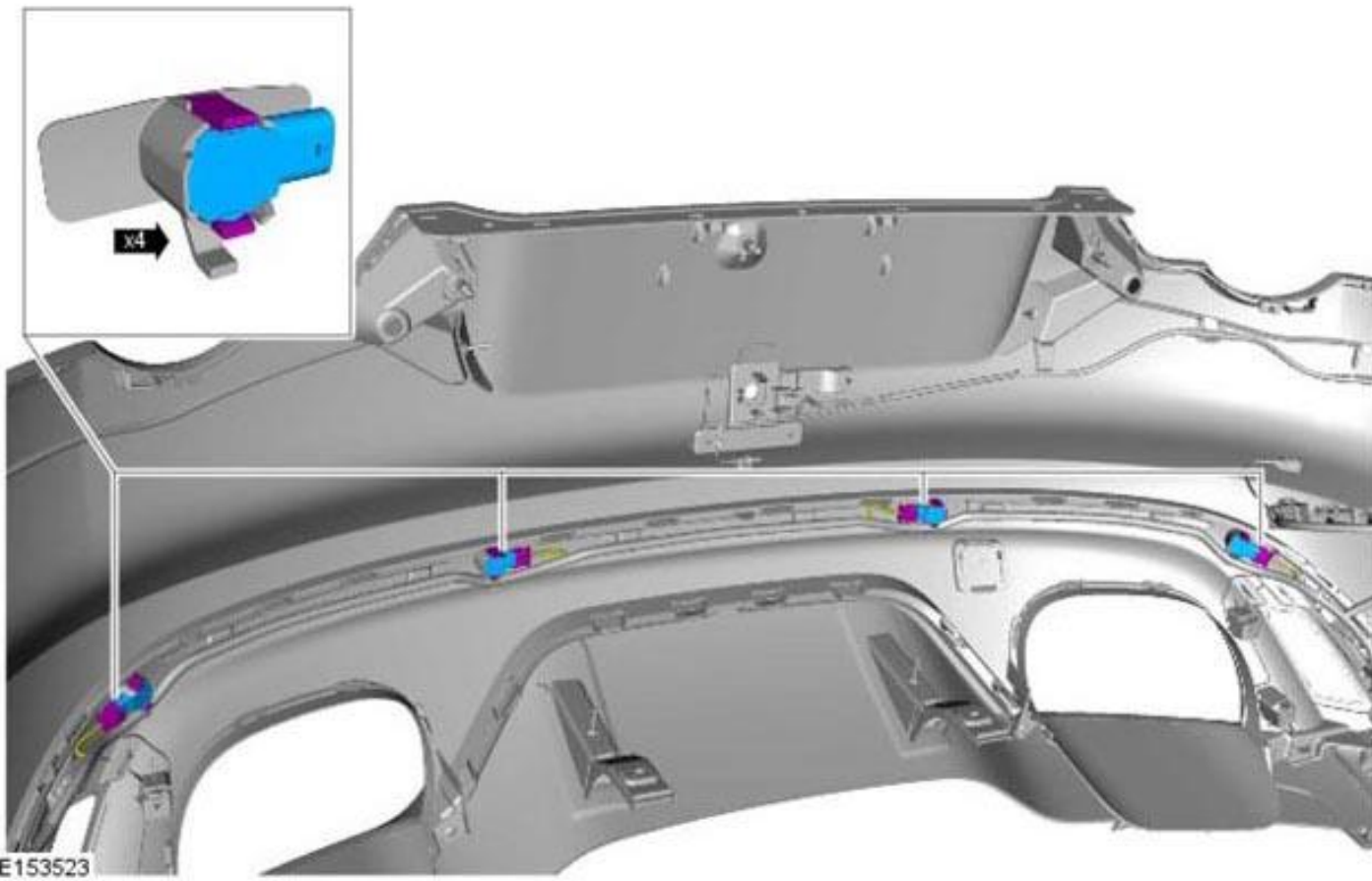


E153525

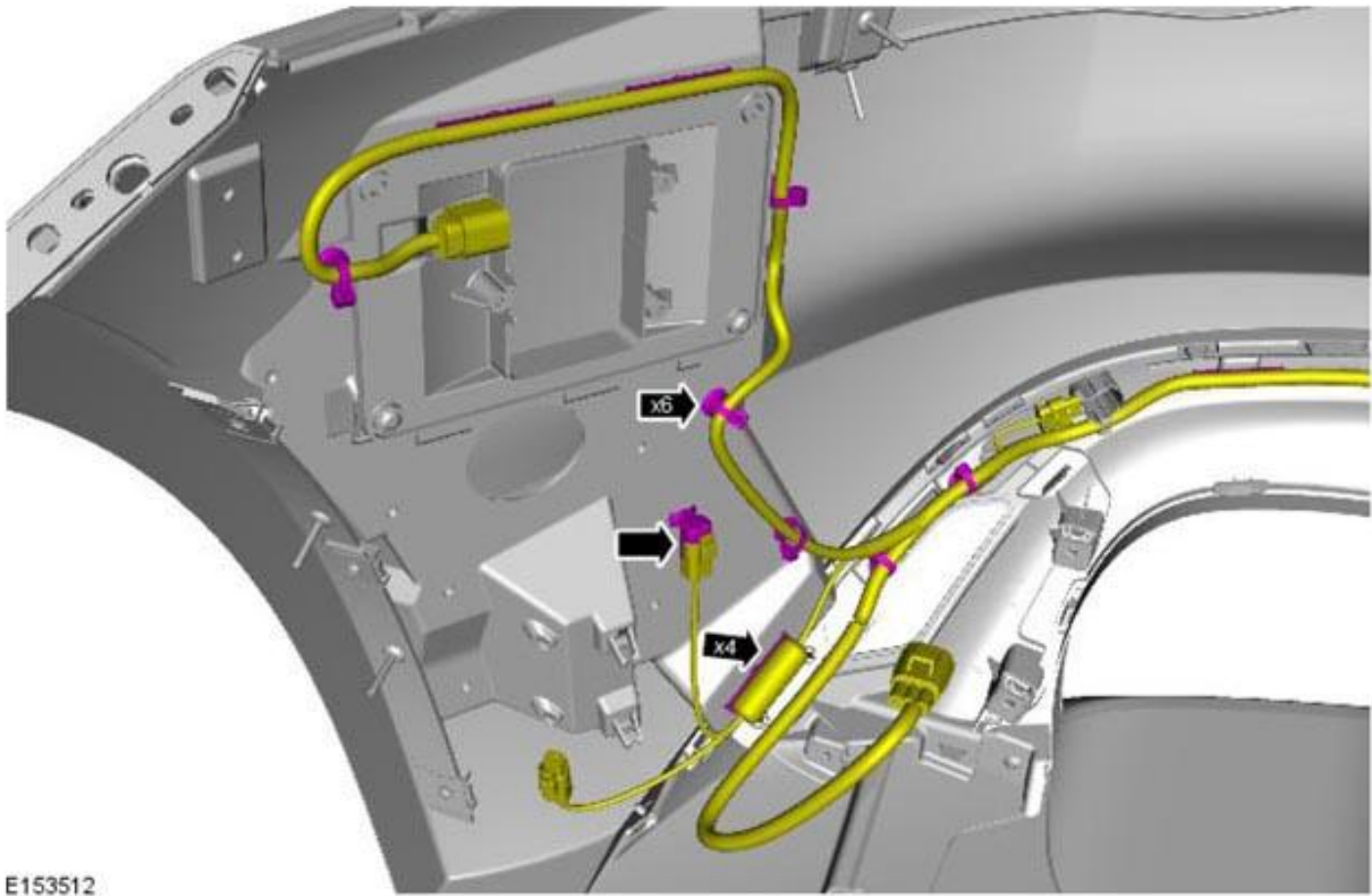
17.



18.

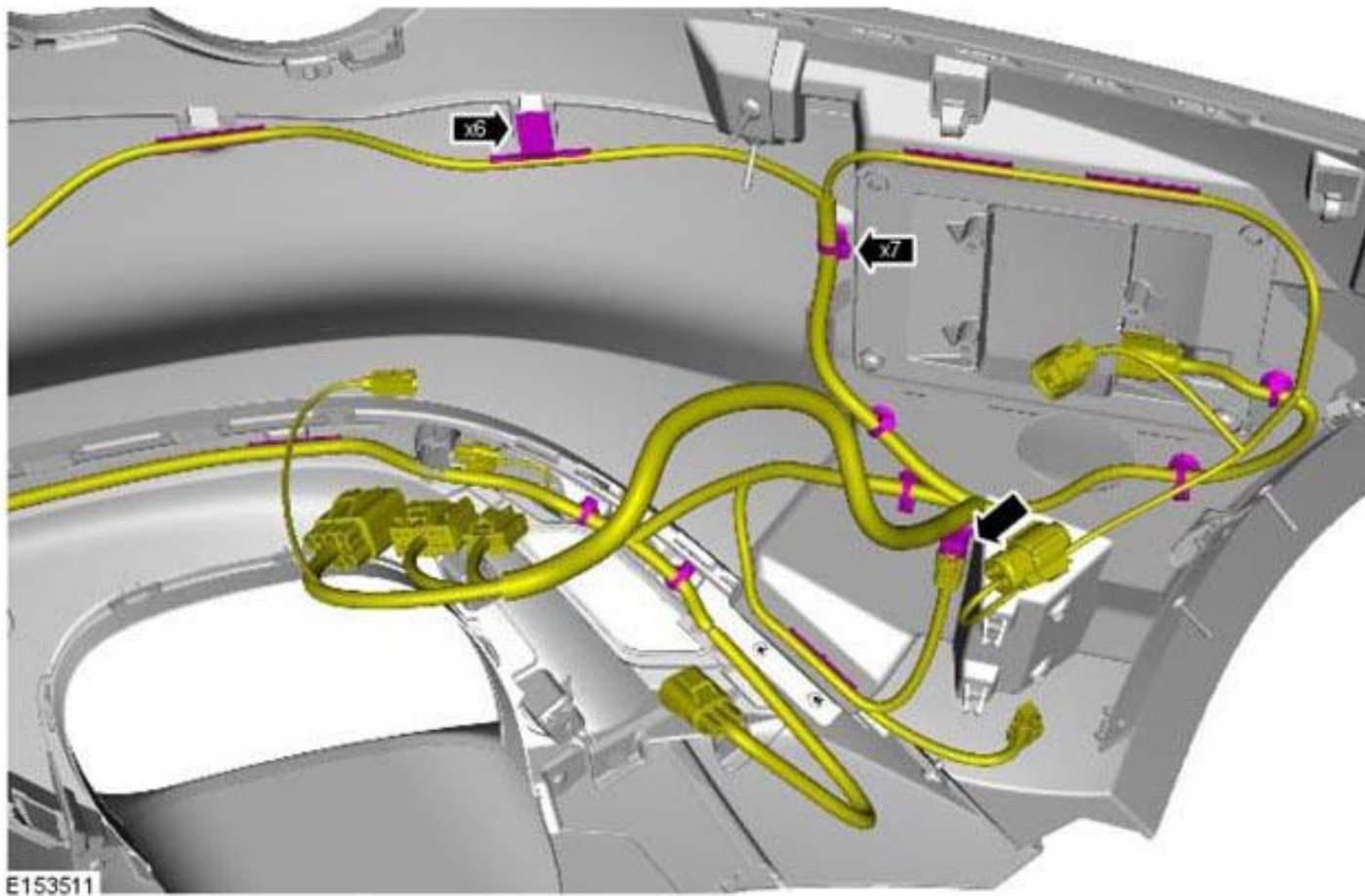


19.



E153512

20.



21.



E153526

INSTALLATION

1. To install, reverse the removal procedure.

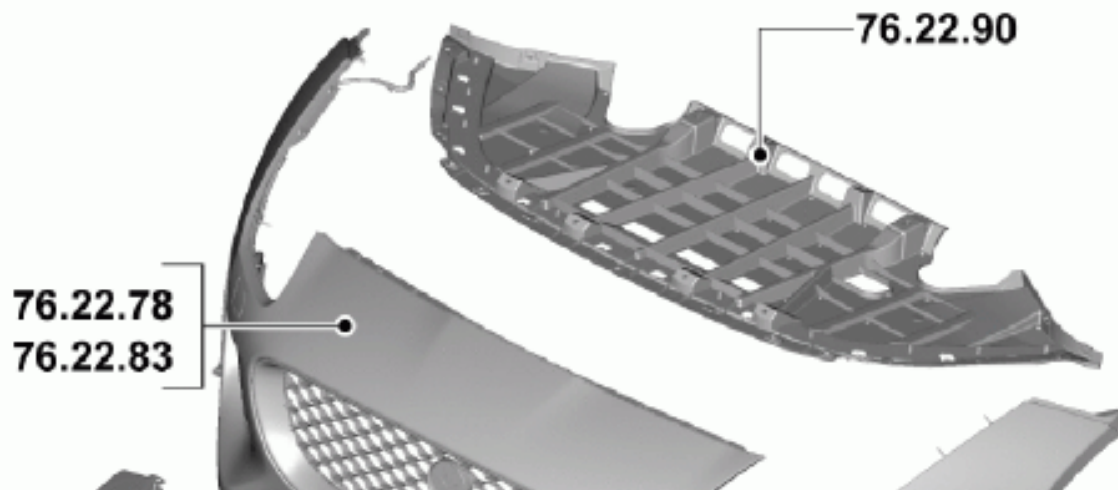
FRONT BUMPER COVER INSERT (G1927086)

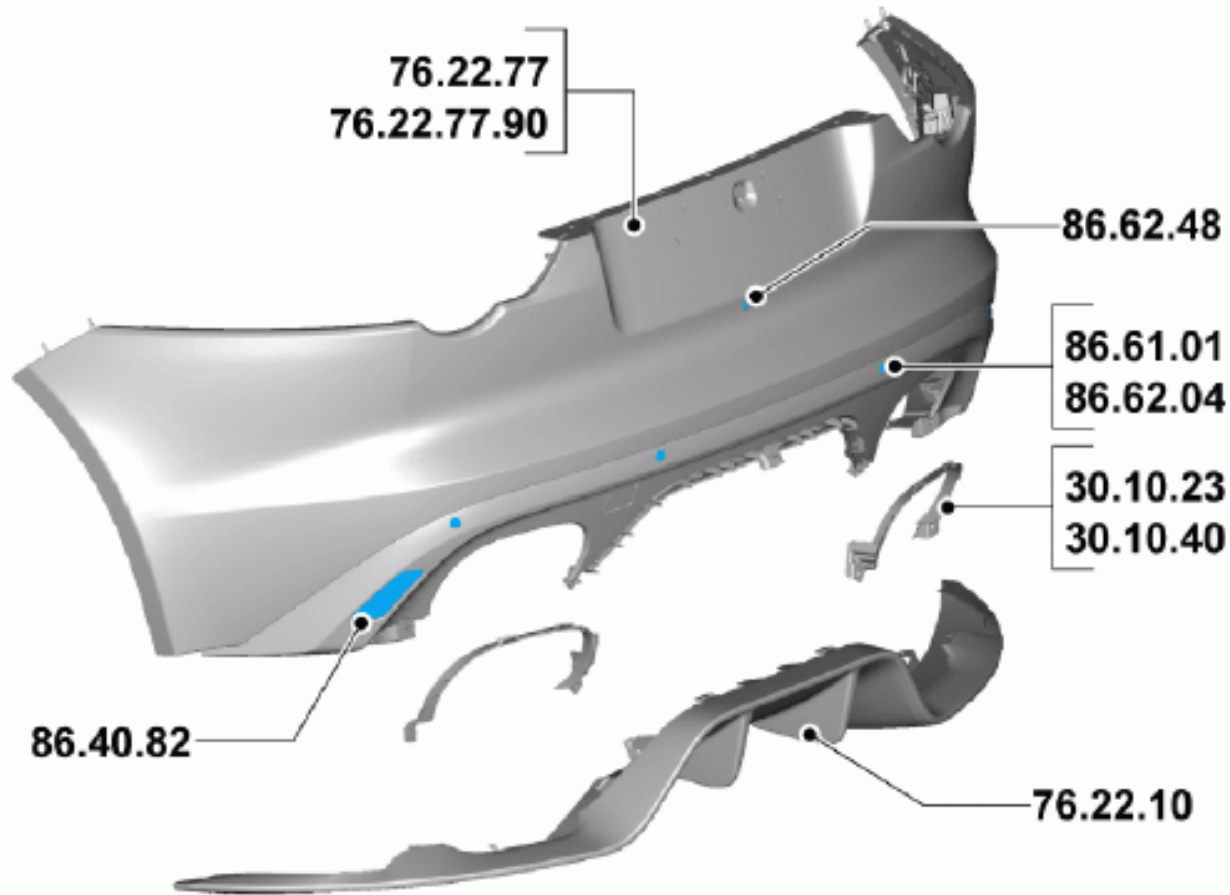
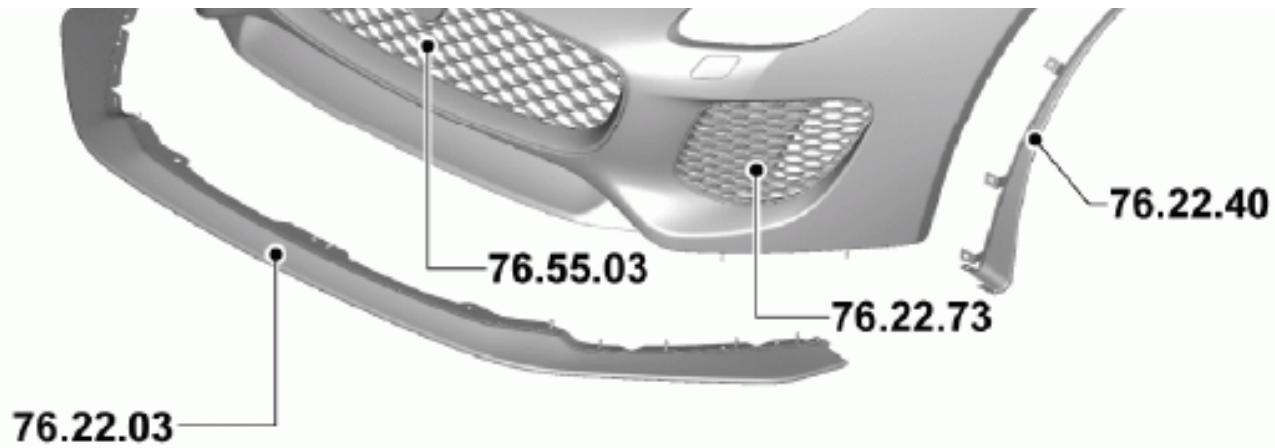
76.22.73

FRONT QUARTER BUMPER BLADE - RENEW

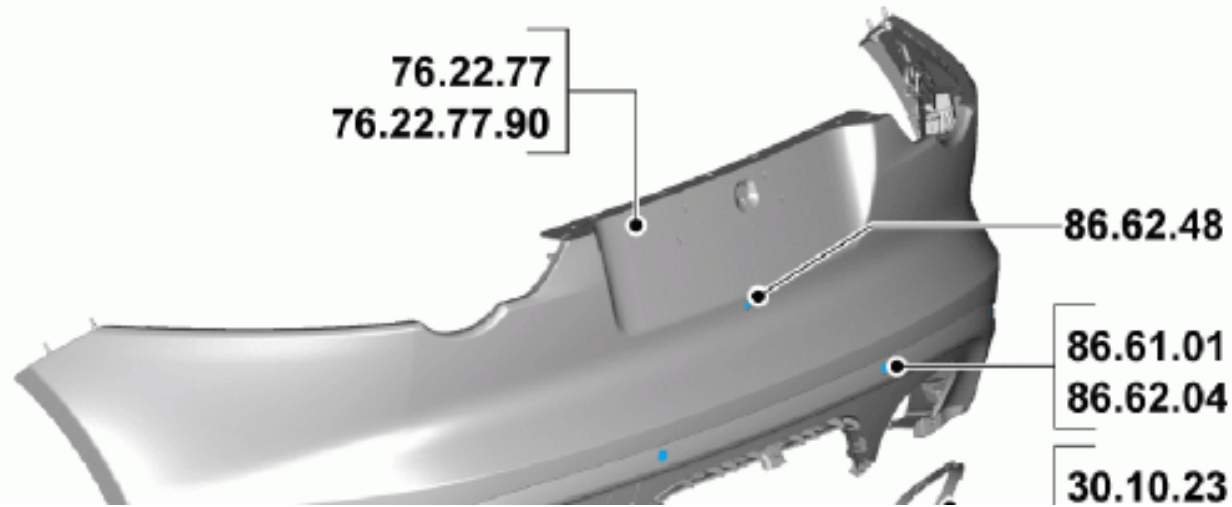
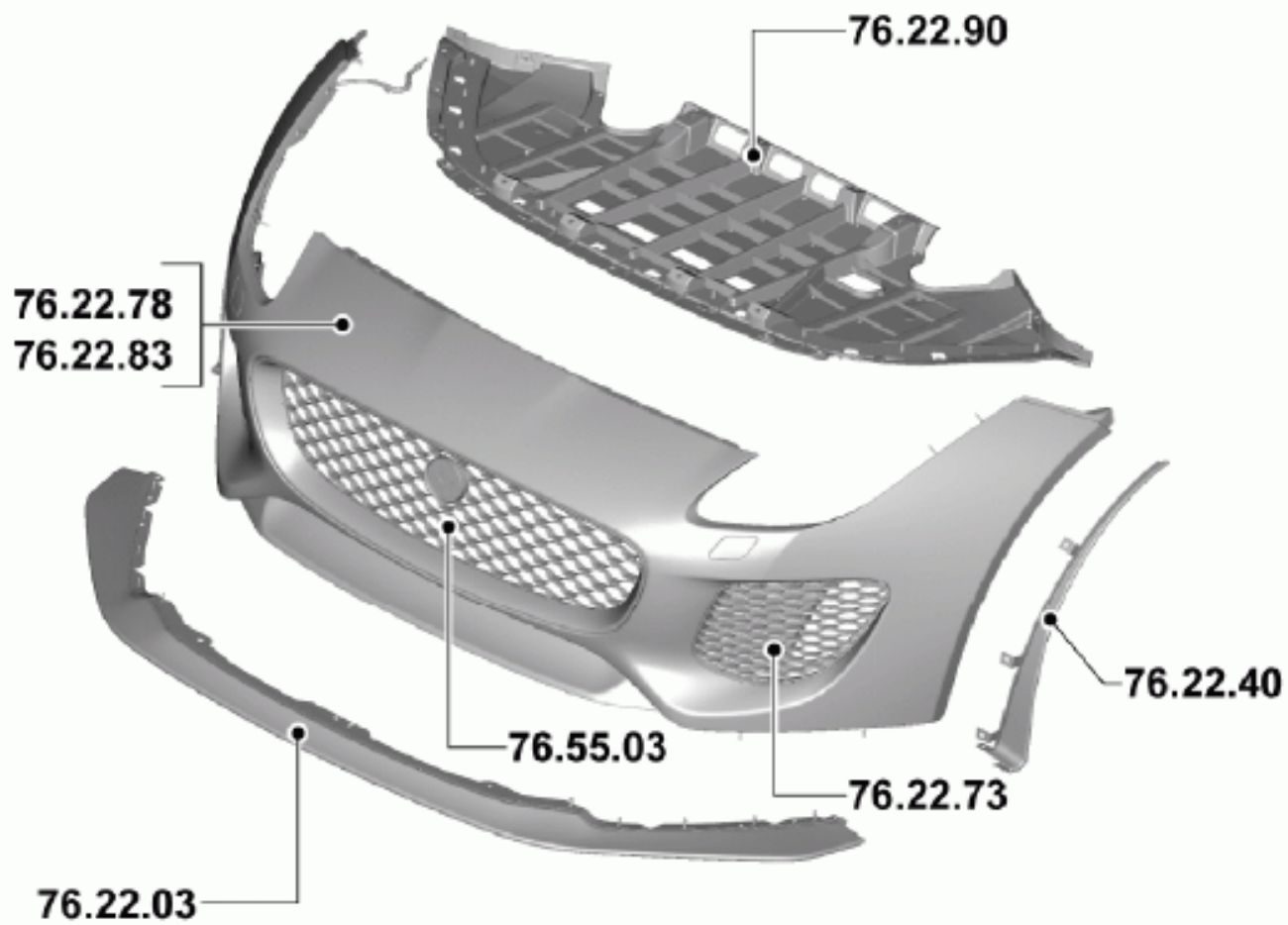
PROJECT 7

1.4





JRT1672





JRT1672

REMOVAL

NOTE:

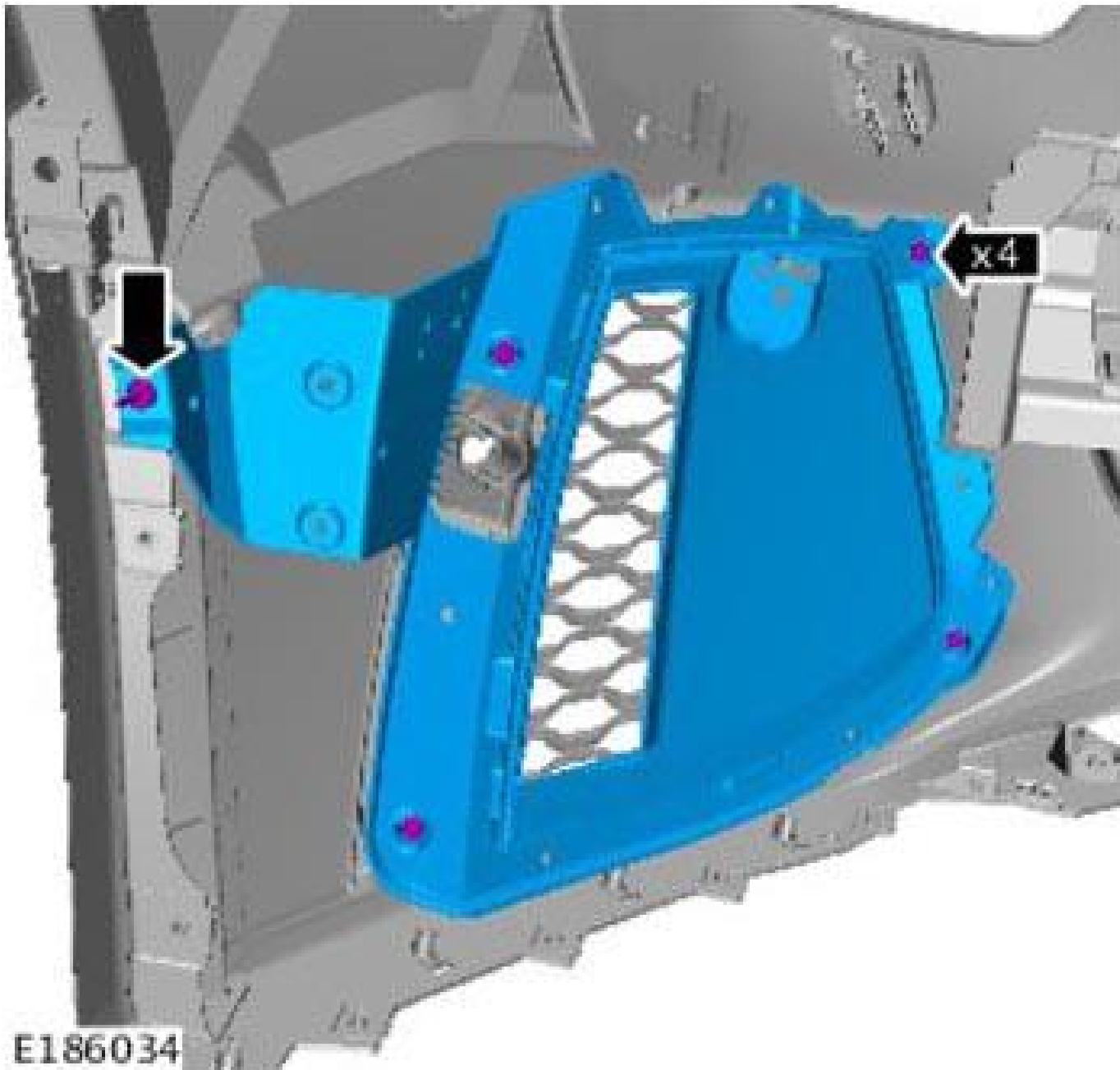
Removal steps in this procedure may contain installation details.
Some components shown removed for clarity.
Some variation in the illustrations may occur, but the essential information is always correct.

1. **Make sure to support the vehicle with axle stands.**

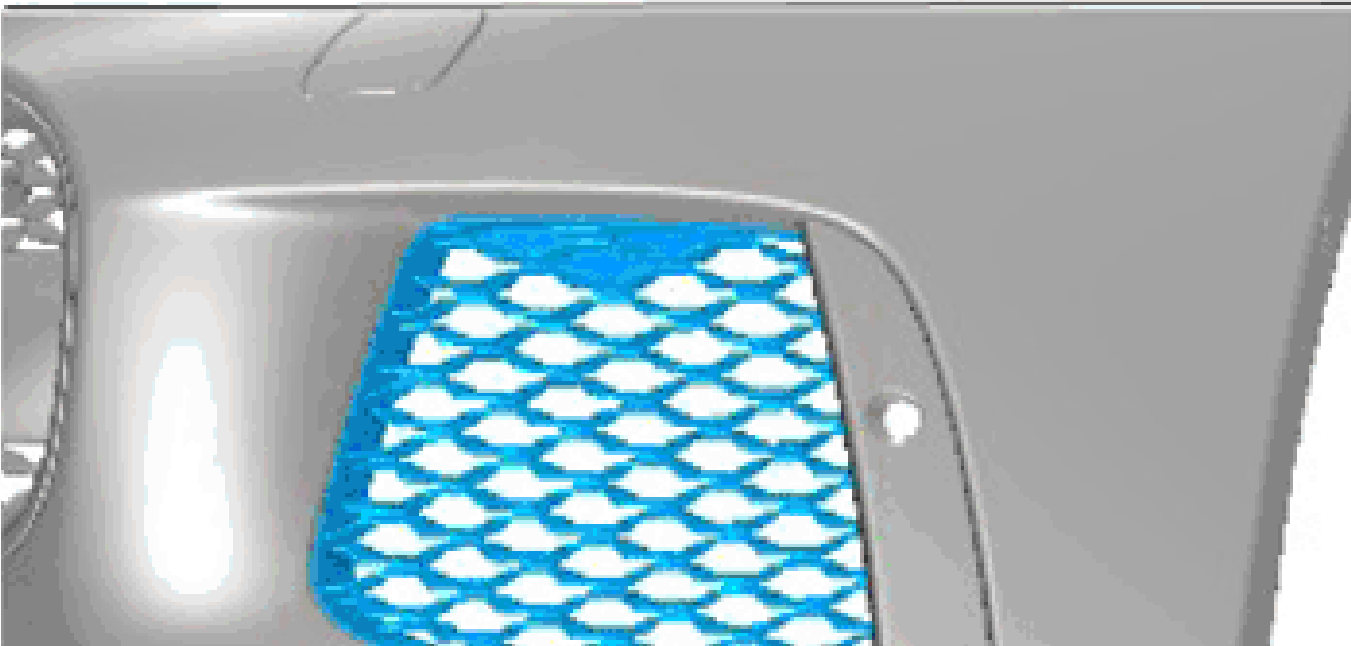
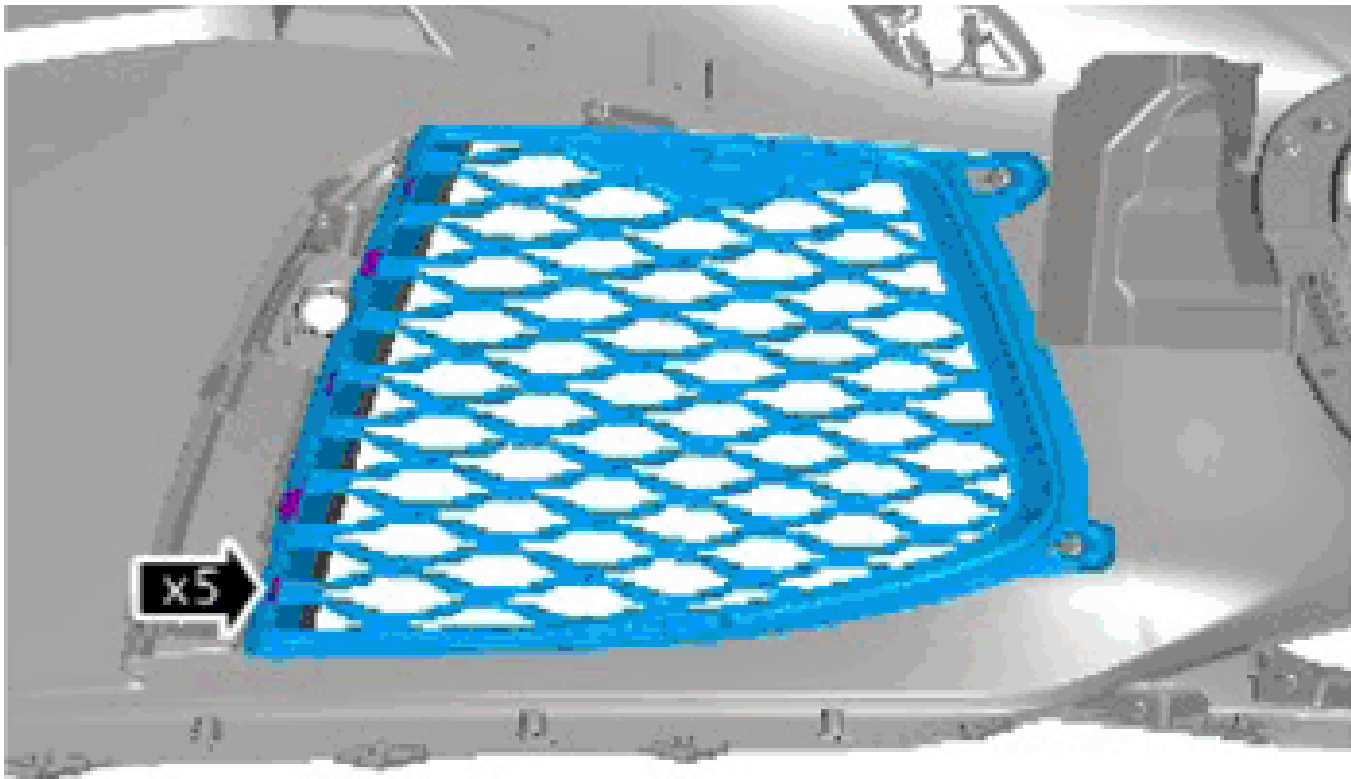
Raise and support the vehicle.

2. Refer to: **Front Bumper Cover** (Removal and Installation).

3. **NOTE:** Repeat the procedure for the other side.



4. **NOTE:** Repeat the procedure for the other side.





E186035

INSTALLATION

1. To install, reverse the removal procedure.