

2015.0 F-TYPE (X152), 417-01

EXTERIOR LIGHTING

REAR LAMP ASSEMBLY (G1578908)

REMOVAL AND INSTALLATION

86.40.76	TAIL, STOP AND FLASHER LAMP LENS - LEFT HAND - RENEW	CABRIOLET	1.9	USED WITHINS
----------	---	-----------	-----	-----------------

86.40.76	TAIL, STOP AND FLASHER LAMP LENS - LEFT HAND - RENEW	COUPE	1.8	USED WITHINS
----------	---	-------	-----	-----------------

REMOVAL

⚠ CAUTION:

Take precautions to avoid any electrostatic charging, which could damage this component.

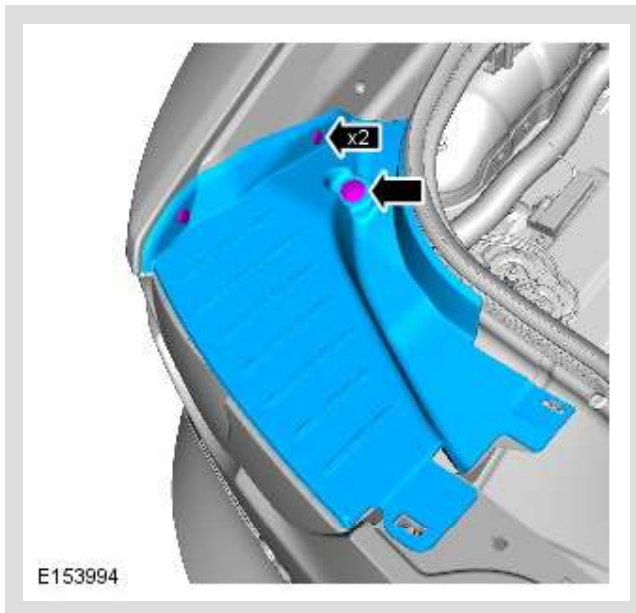
NOTES:

- Some variation in the illustrations may occur, but the essential information is always correct.
- Removal steps in this procedure may contain installation details.
- LH illustration shown, RH is similar.

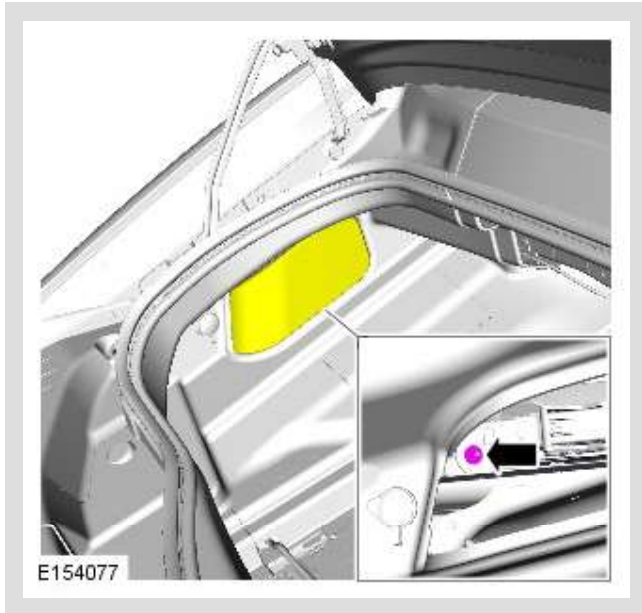
1. Refer to: [Battery](#) (414-01 Battery, Mounting and Cables, Removal and Installation).

2. Refer to: [Rear Bumper Cover - Folding Top](#) (501-19 Bumpers, Removal and Installation).

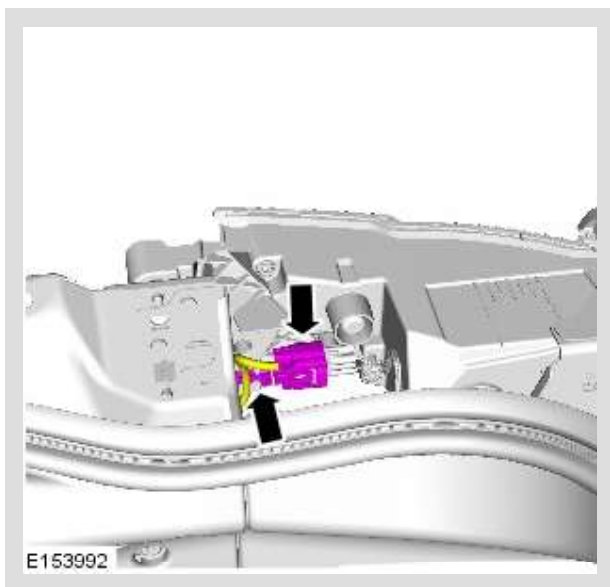
3.



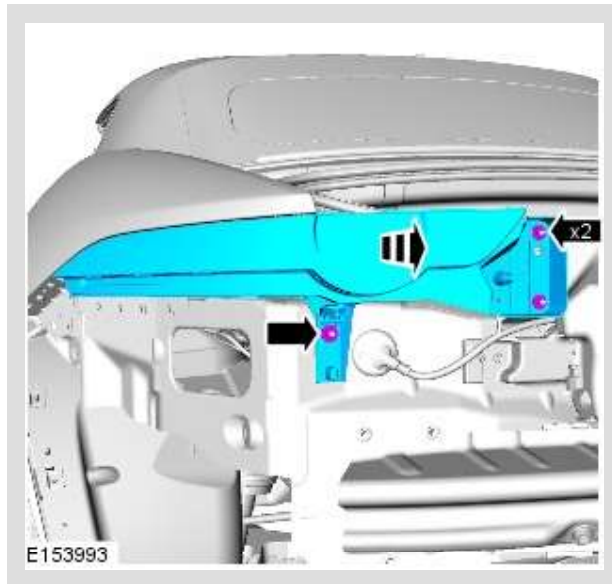
4.



5.



6.



ⓘ CAUTIONS:

Take great care when removing the rear lamp assembly as the forward point of the lens can be easily damaged.

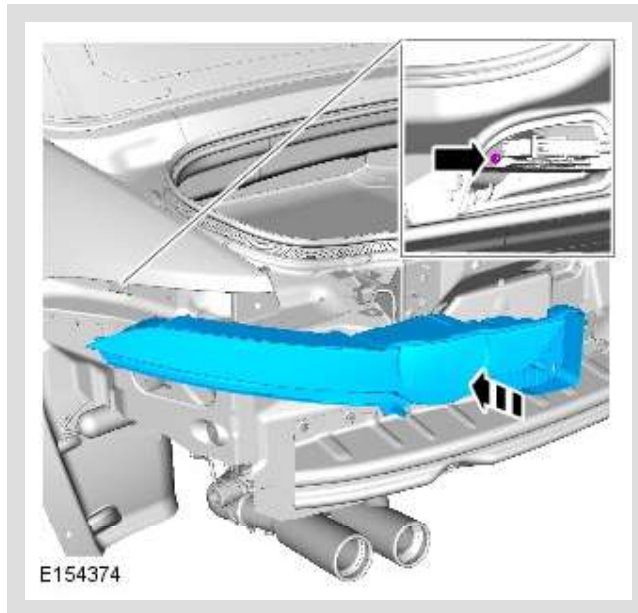
Take extra care not to damage the edges of the component.

INSTALLATION

1.

ⓘ CAUTIONS:

- Support as necessary.
- Make sure that the rear lamp fits flush with all the surrounding bodywork.

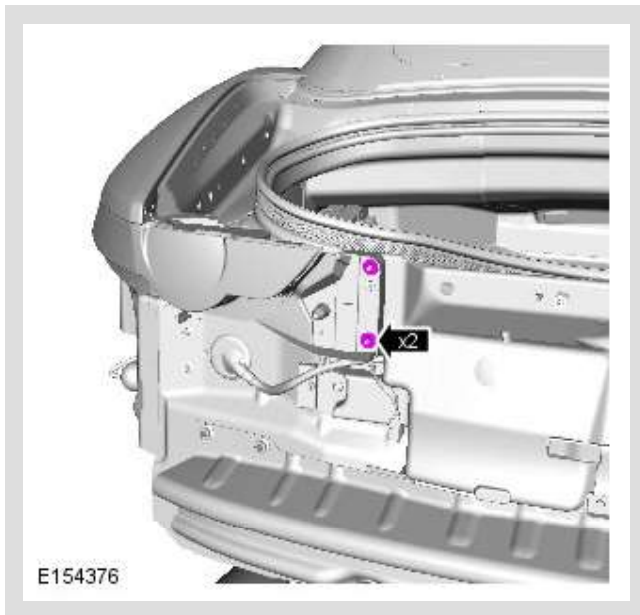


Torque: 3 Nm

2.

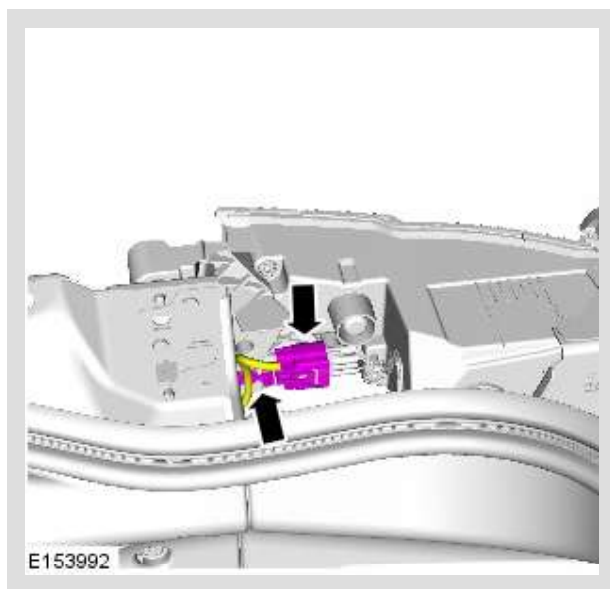
ⓘ CAUTIONS:

- Support as necessary.
- The gap between the rear lamp and the bodywork must not exceed 1 mm.



Torque: 3 Nm

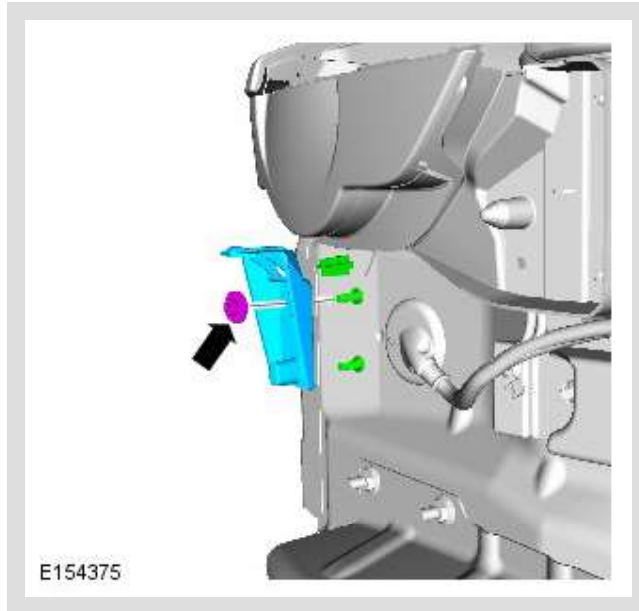
3.



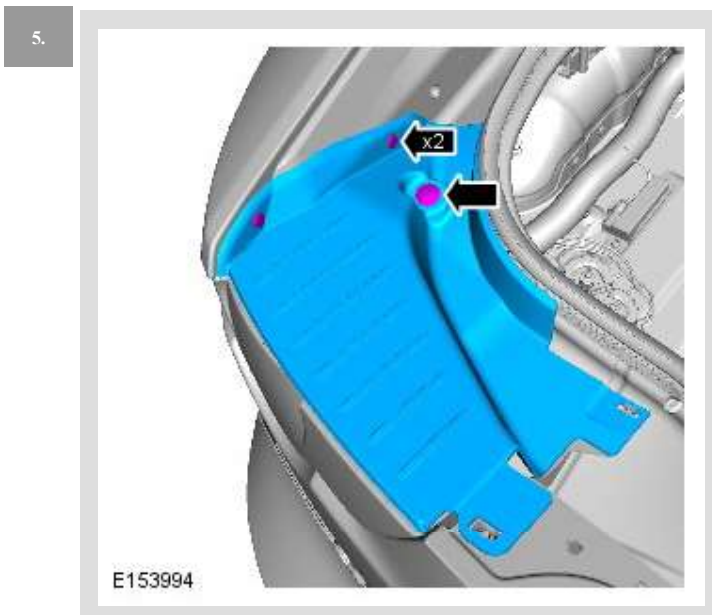
4.

ⓘ CAUTIONS:

- Make sure the component is aligned as shown.
- The gap between the rear lamp and the bodywork must not exceed 1 mm.



Torque: 3 Nm



6. Refer to: [Rear Bumper Cover - Folding Top \(501-19 Bumpers, Removal and Installation\)](#).

7.