

2015.0 F-TYPE (X152), 501-12

INSTRUMENT PANEL AND CONSOLE

FLOOR CONSOLE (G1579209)

REMOVAL AND INSTALLATION

76.25.01	CONSOLE ASSEMBLY - RENEW	ALL DERIVATIVES	1	USED WITHINS
----------	--------------------------------	--------------------	---	-----------------

REMOVAL

NOTE:

Removal steps in this procedure may contain installation details.

All vehicles

1.

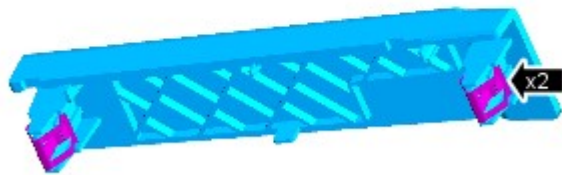
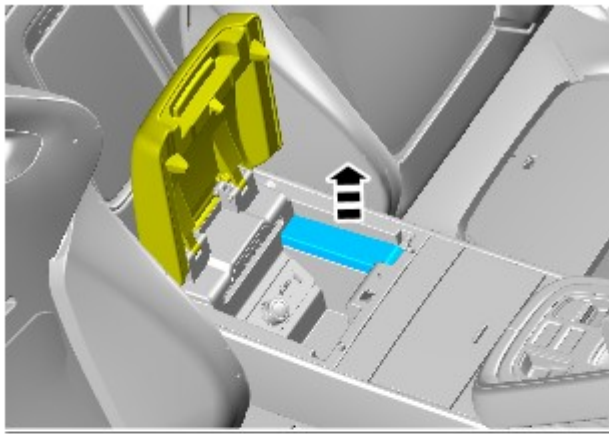
NOTE:

Repeat the procedure for the other side.

Refer to: [Front Seat - Vehicles With: Sports Seats \(501-10 Seating, Removal and Installation\)](#).

Refer to: [Front Seat - Vehicles With: Performance Seats \(501-10 Seating, Removal and Installation\)](#).

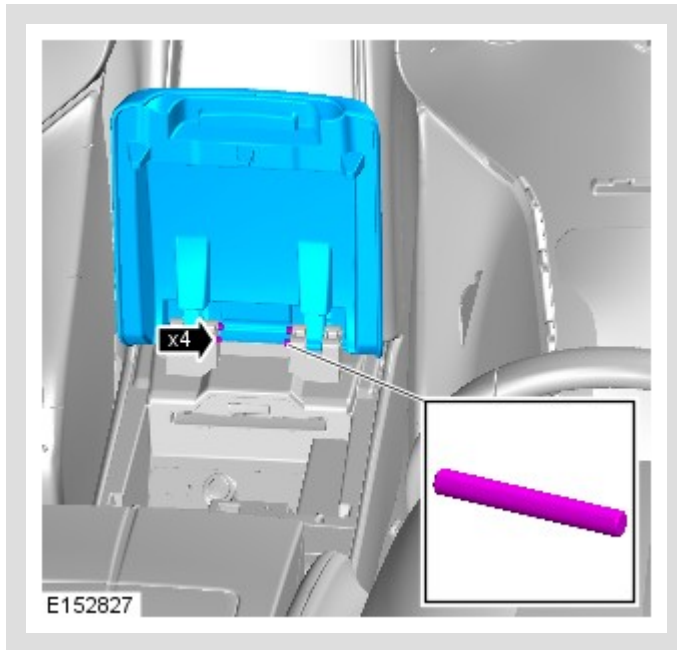
2.



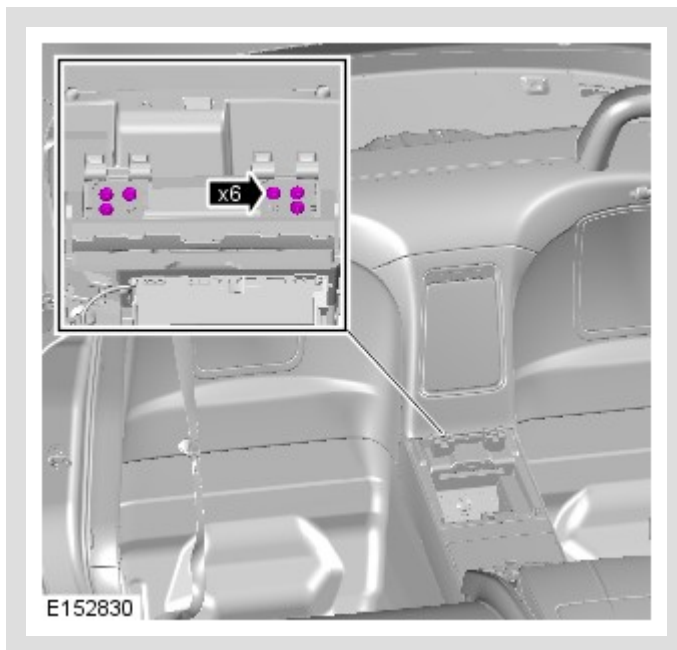
E152828

3.





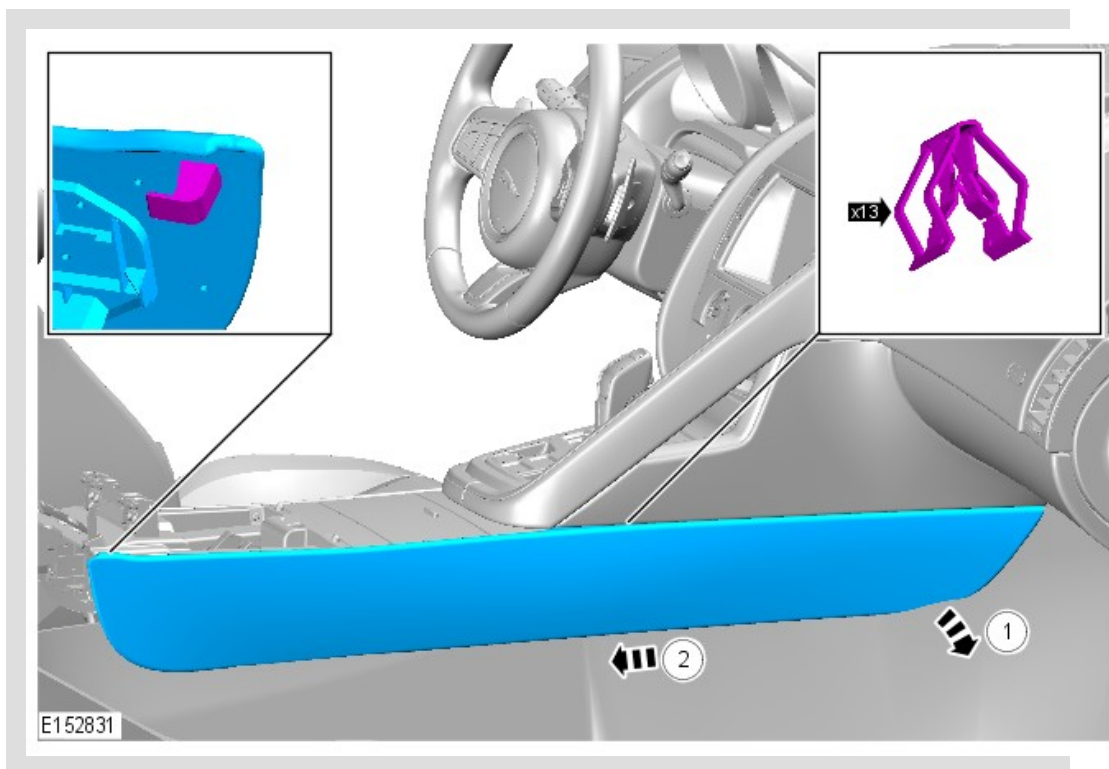
5.



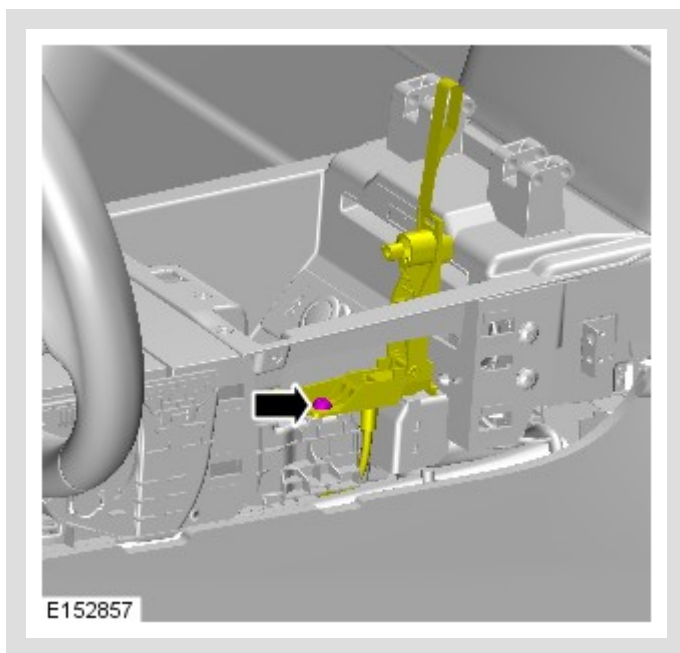
6.

 **NOTE:**

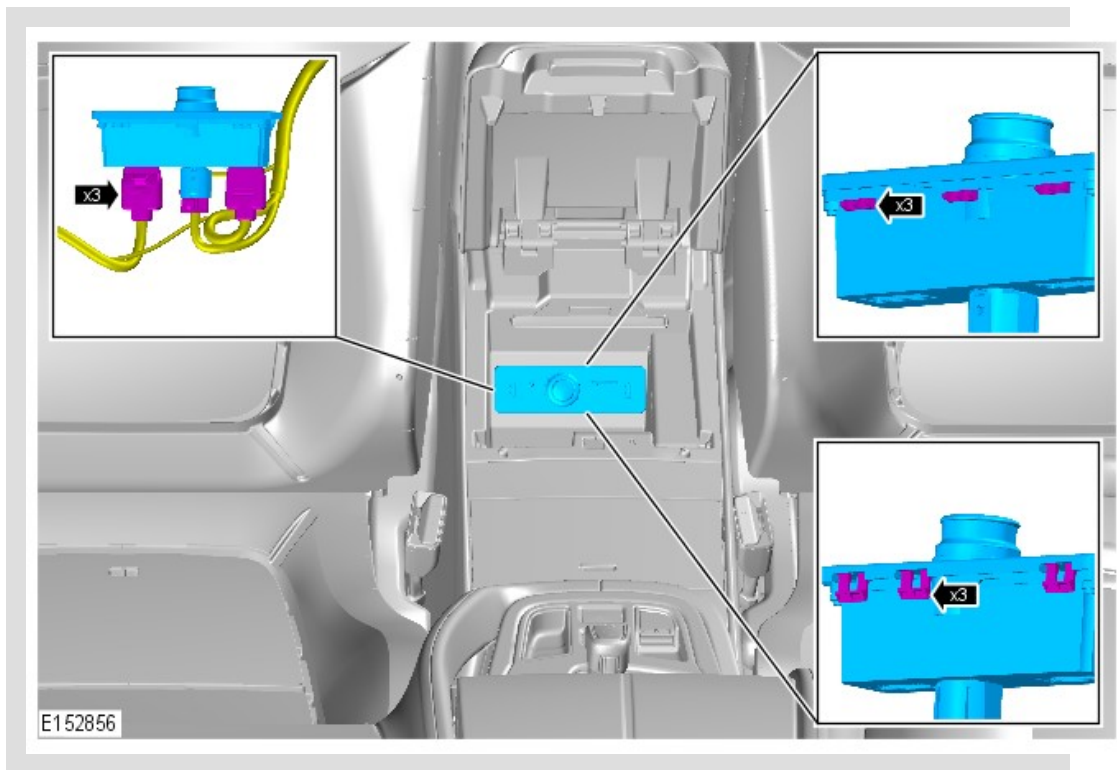
Repeat the procedure for the other side.

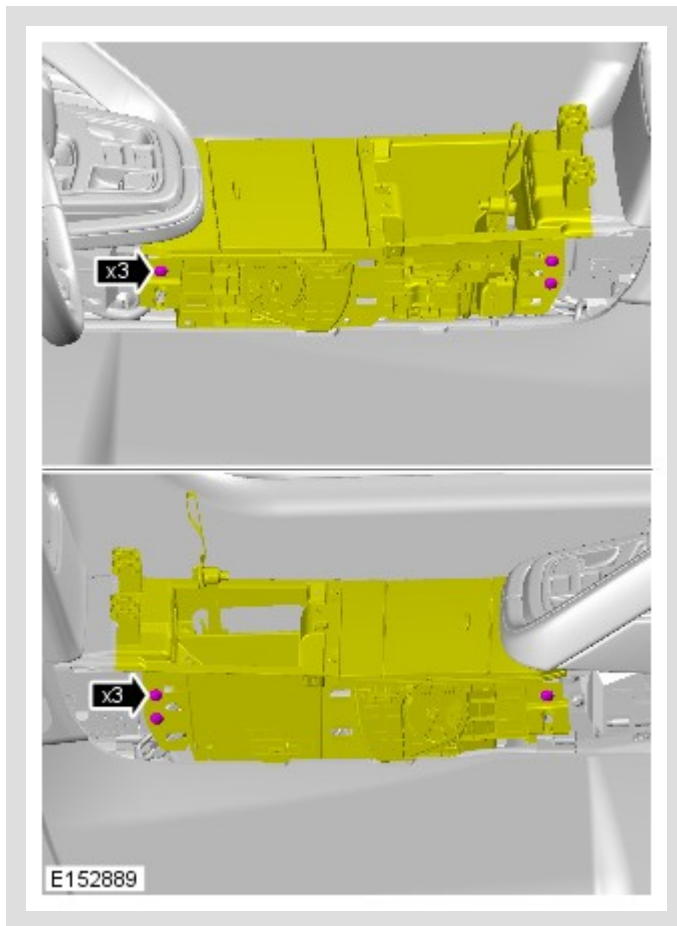


7.

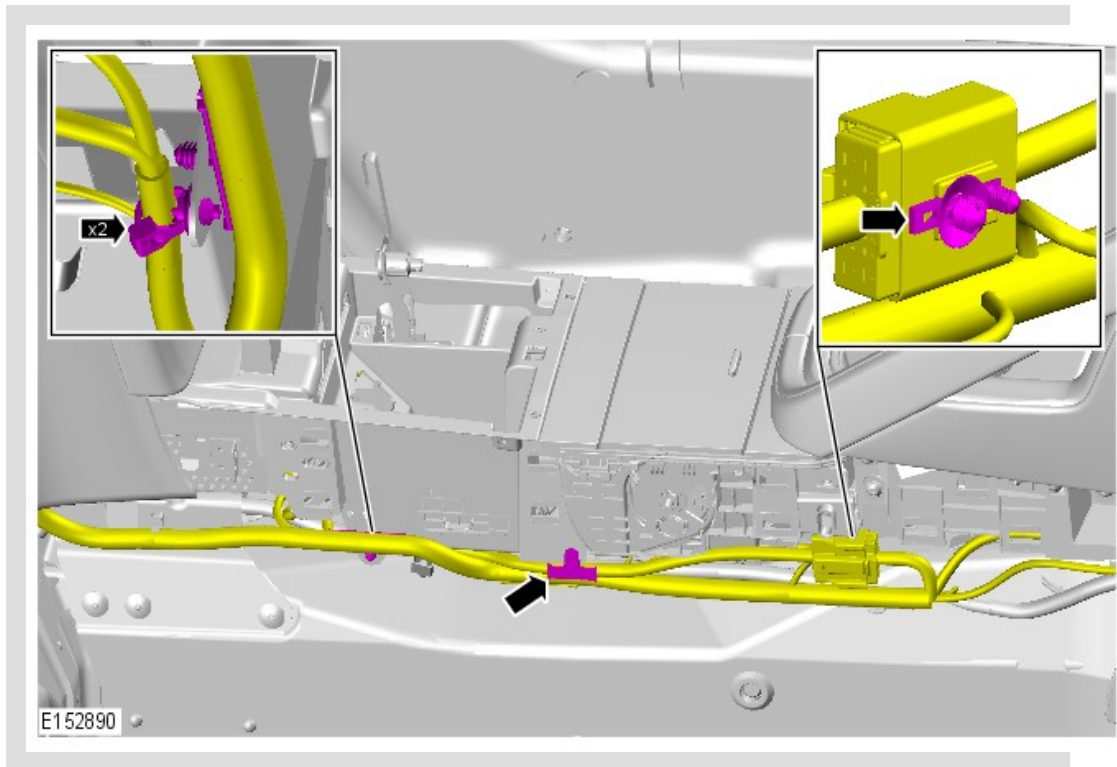


8.





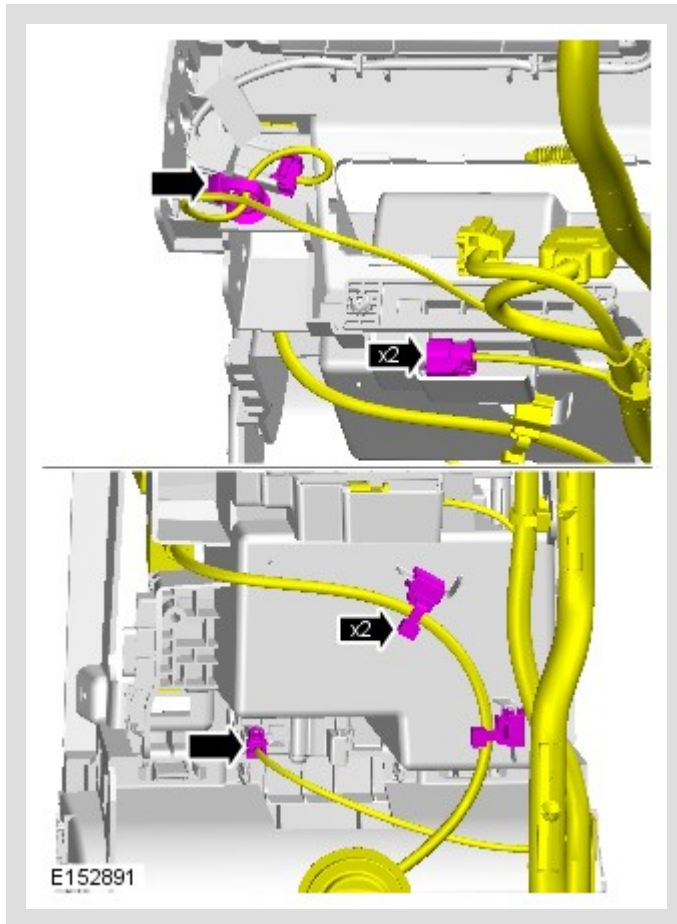
Torque: 9 Nm



11.

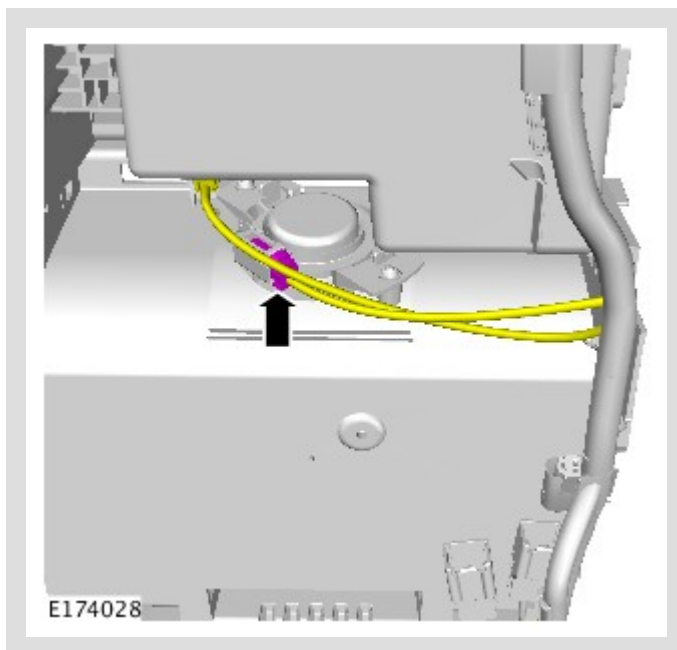


12.



Vehicles with telematics

1.

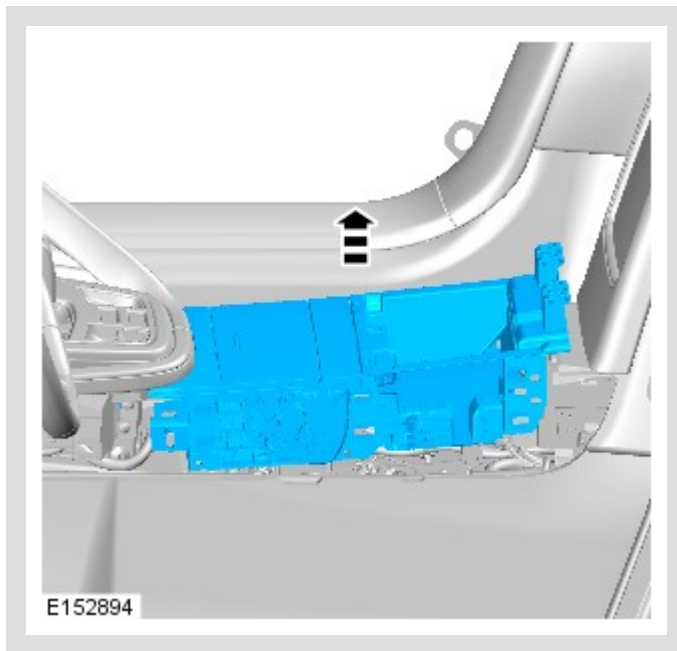


All vehicles

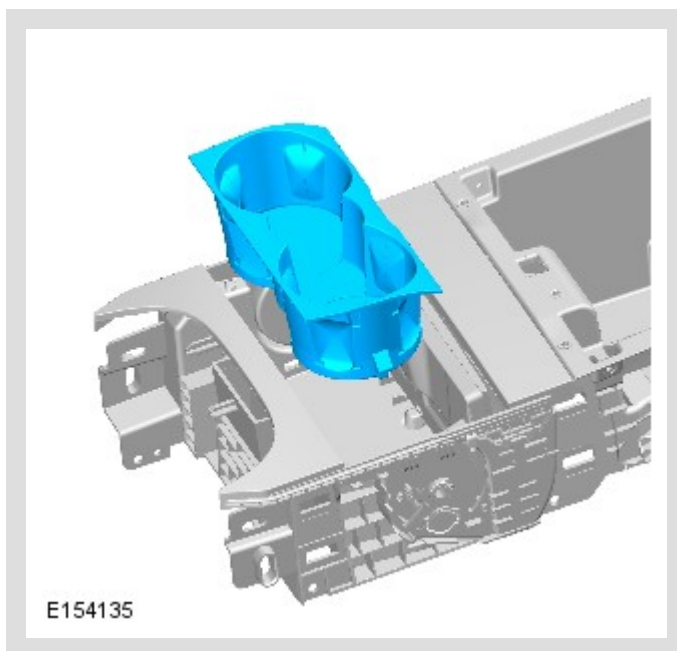
1.

 **NOTE:**

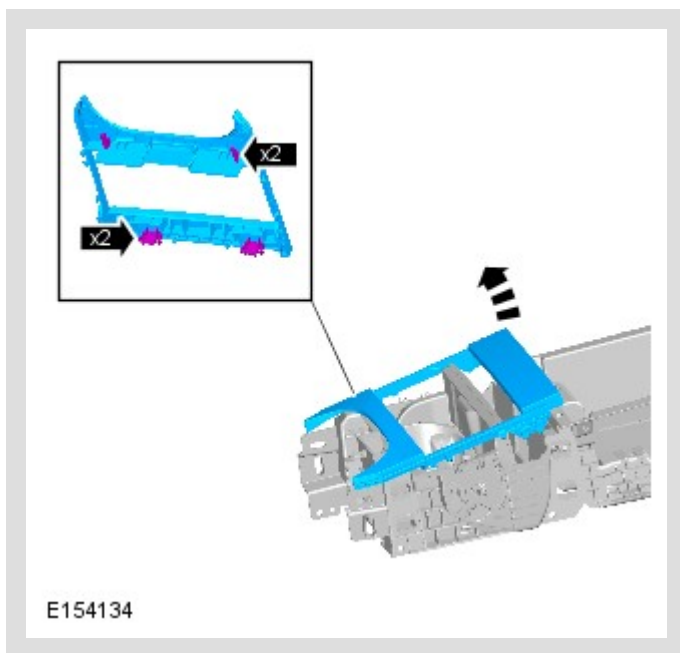
Do not disassemble further if the component is removed for access only.



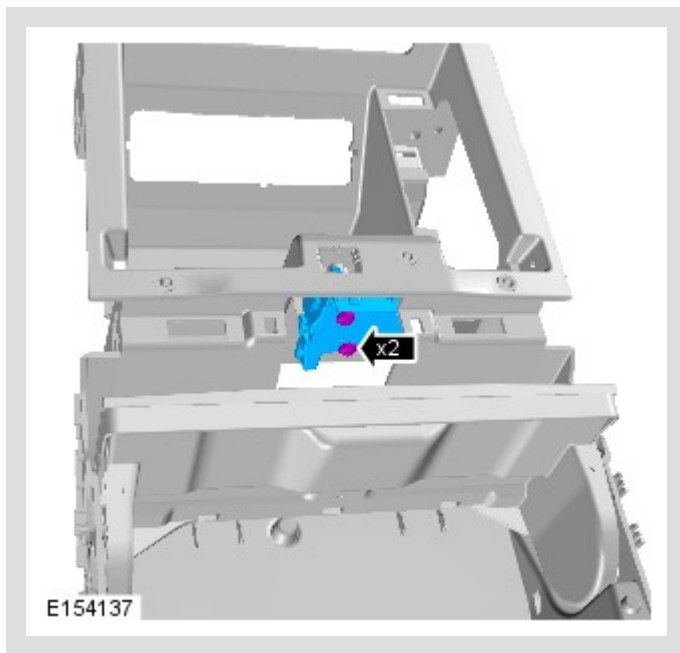
2.



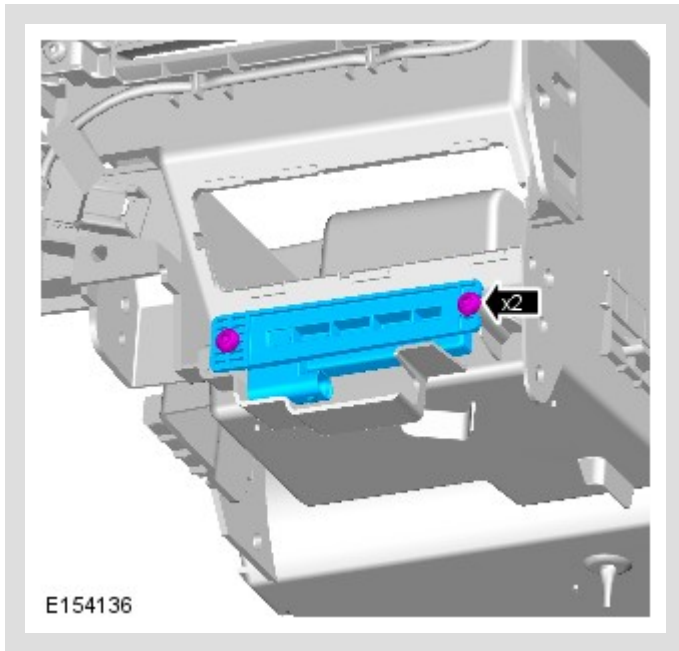
3.



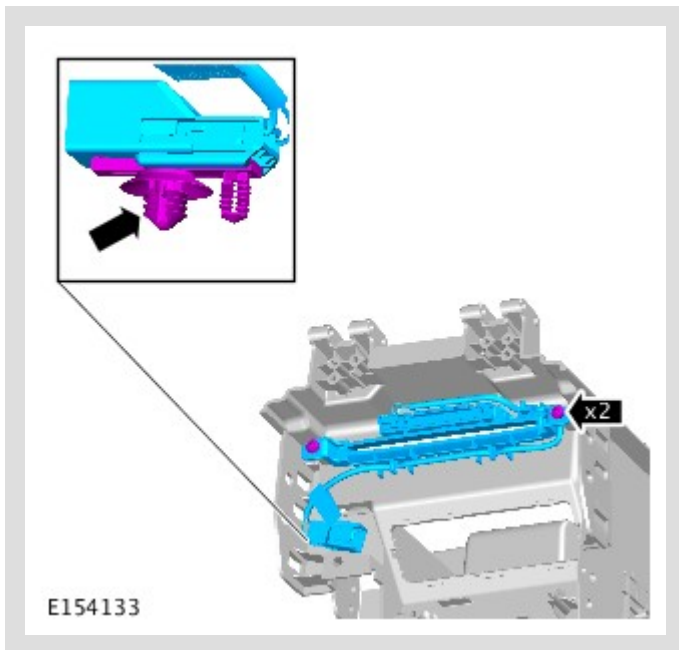
4.



5.

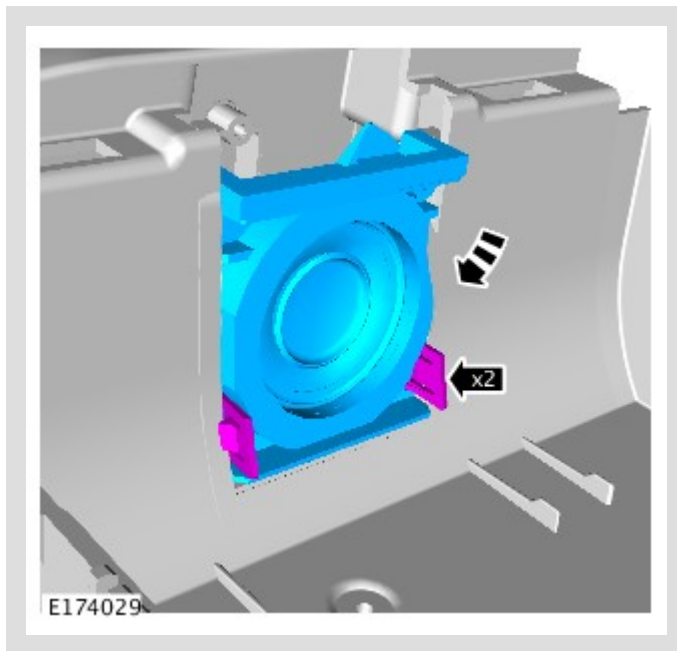


6.



Vehicles with telematics

1.



INSTALLATION

1. To install reverse the removal procedure.