

## V8 – XJ Series

# 1998 MY on Parts Catalogue

Part No. *JLM20570*

Whilst every effort is made to ensure the accuracy of the particulars contained in this Manual the Manufacturing Companies will not, in any circumstances, be held liable for any inaccuracies or the consequences thereof.

© Jaguar Cars Ltd 1997

All rights reserved. No part of this publication may be reproduced, stored in a retrieval system or transmitted in any form, whether by electronic, mechanical, photocopying, recording or other means without the permission of Jaguar Cars Limited.

Replacement parts that are not of genuine Jaguar supply cannot be relied upon to be of correct specification, material, and workmanship and therefore Jaguar cannot be expected to extend warranty to vehicles which have been fitted with parts not supplied by them.

Jaguar reserves the right to make changes or improvements in the construction or specification of their products at any time.

IN ORDER TO ENSURE PROMPT AND CORRECT EXECUTION OF  
YOUR ORDERS IT IS ESSENTIAL TO QUOTE:-

1. The relative Unit Number, together with prefixes, suffixes and specification references where applicable.  
eg. Axle, Body, Vehicle Identification, Engine, Gearbox Numbers etc.
2. The Part Number and description (prefix and suffix letters to Part Numbers must always be quoted).
3. Always state the colour of carpets, painted items, trim items etc, using the colour code from the Vehicle Identification Number (VIN) plate and the colour combination key to identify the colour name.
4. The quantity required bearing in mind that the quantities shown are those used in the application actually illustrated. Sometimes only minimum package quantities are available. These packs may well contain more parts than are required for a single job; for details of packaged quantities, see the Service Parts List.

THE LISTING OR ILLUSTRATING OF AN ITEM DOES NOT  
GUARANTEE ITS AVAILABILITY.

## INDEX TO INTRODUCTION SECTION

MICROFICHE PAGE REFERENCE	PAGE TITLE	REMARKS
B03	GEOGRAPHICAL GROUPINGS	Country groupings used in the parts list are referenced on this page.
B04	STANDARD ABBREVIATIONS	Standard abbreviations used in the microfiche text are referenced on this page.
B05	VEHICLE IDENTIFICATION NUMBERING SYSTEM (UP TO 2000 MODEL YEAR)	VIN Serial letters and numbers explained. VIN plate location.
B06	VEHICLE IDENTIFICATION NUMBERING SYSTEM (GLOBAL) FROM 2000 MODEL YEAR	VIN Serial letters and numbers explained. VIN plate location.
B07	Model Year VIN NUMBERS	Details of Model Year Commencing VIN Numbers
B08	MAJOR UNIT IDENTIFICATION NUMBERING SYSTEM	Location of Engine & Gearbox Serial Numbers.
B09	CONTROL MODULE LOCATIONS	Location of Control Modules.
B10	COLOUR CROSS REFERENCE	Body colour/coachline
B11	TRIM COLOUR COMBINATION CHART	Denotes trim colour ranges applicable to specific areas of the vehicle interior.
B12	TRIM COLOUR COMBINATION CHART	Denotes trim colour ranges applicable to specific areas of the vehicle interior.
B13	TRIM COLOUR COMBINATION CODES	Denotes trim colour code
B14-18	HOW TO USE THE PARTS MICROFICHE	Details of microfiche layout and content. Methods of use explained

## COUNTRY GROUPS

Where appropriate, applications for individual Markets are detailed as "Remarks" adjacent to specific Part Numbers. For convenience, Markets are sometimes categorised into geographical groups. "Exceptions/exclusions" from these geographical groups are detailed as footnotes on the appropriate page. Where the vehicle specification clearly excludes a feature from application to your market, the exclusion note may be omitted.

**Definitions of the geographical groups used in this catalogue are as follows:**

**AUSTRALASIA:** Australia, New Zealand.

**CARIBBEAN:** Panama, Bahamas.

**EASTERN EUROPE:** Bulgaria, Czechoslovakia, Hungary, Poland, Russia.

**EEC:** Austria, Belgium, Canary Islands, Denmark, Eire, Finland, France, Germany, Greece, Holland, Italy, Luxembourg, Portugal, Slovenia, Spain, Sweden.

**MEDITERRANEAN:** Cyprus, Egypt, Israel, Jordan, Lebanon, Morocco, Syria, Turkey.

**EUROPE:** Austria, Belgium, Denmark, Eire, Finland, France, Germany, Gibraltar, Greece, Holland, Italy, Luxembourg, Norway, Malta, Portugal, Spain, Canary Islands, Sweden, Switzerland, UK.

**FAR EAST:** China, Hong Kong, Indonesia, Korea, Malaysia, Philippines, Singapore, Sri Lanka, Thailand, Vietnam.

**MIDDLE EAST:** Abu Dhabi, Bahrain, Dubai, Kuwait, Oman, Qatar, Saudi Arabia.

**RUSSIA:** Belarus, Estonia, Kazakhstan, Latvia, Lithuania, Moscow, Ukraine, Uzbekistan.

**SOUTH AMERICA:** Argentina, Chile, Paraguay.

## **VEHICLE IDENTIFICATION NUMBERING SYSTEM    Up to 2000 Model Year**

The Vehicle Identification Number comprises of a series of letters and numbers representing, in code such information as Marque, Model Range, Class, Engine type etc. The code for the Jaguar 3.2/ 4.0 litre is as follows.

**Prefix 1 to 4**

World Manufacturing Identifier

SAJJ = Jaguar

SAJD = Daimler

**Prefix 5**

Model Range Trim

F = XJ8

H = Sovereign

K = VDP

P = XJR, XJ Sport

**Prefix 6**

Class

A = Base Line

K = Japan A/B

N = Canada AB/2

S = Mexico AB/2

X = USA A/B2

**Prefix 7**

Body Type

L = 4 Door Saloon

M = 4 Door 5 Seat LWB

N = 4 Door 4 Seat LWB

**Prefix 8**

Engine Variant

D = 4.0 Litre

F = 4.0 Litre Supercharged

G = 3.2 Litre

**Prefix 9**

Transmission and Steering

3 = Auto RHS

4 = Auto LHS

7 = Manual RHS

8 = Manual LHS

**Prefix 10**

Model or Year Change

W = 1998 MY

X = 1999 MY

Y = 2000 MY

**Prefix 11**

Emission Control System

C = 4.0 litre Emission D

H = 3.2/4.0 litre Emission C

J = 4.0 Litre Emission C

L = 4.0 Litre Emission C

R = 3.2 Litre Emission C

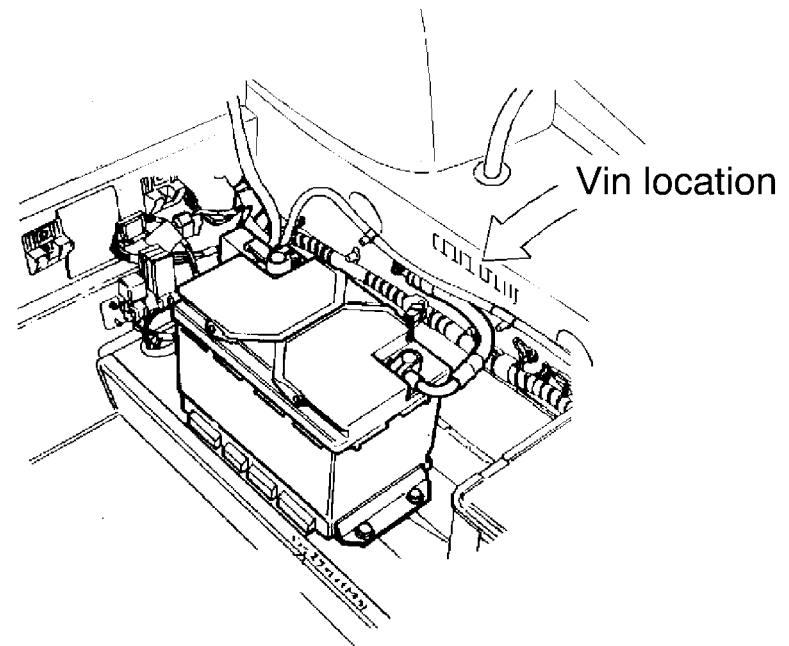
4.0 Litre Emission C and Supercharged

T = 4.0 Litre Emission C

X = 4.0 Litre Emission C

**Prefix 12 to 17**

Serial Number



## VEHICLE IDENTIFICATION NUMBERING SYSTEM (GLOBAL) FROM 2000 Model Year

The Vehicle Identification Number comprises of a set of letters and numbers, representing such information as Marque, Range, Class, Engine type, etc. The code for the Jaguar 3.2/4.0 Litre is as follows:

### PREFIX 1 to 3

#### World Manufacturing Identifier

SAJ = Jaguar

### PREFIX 4

#### Market & Airbag Spec

A = Rest of World (1)

B = Canada (2)

D = USA (1)

F = Canada (1)

J = USA (2)

K = Japan (1)

P = Mexico (1)

R = Mexico (2)

### PREFIX 5

#### Transmission & Steering

A = Automatic LHS

C = Automatic, RHS

### PREFIX 6 & 7

#### Body Code

11 = 4dr Saloon, XJ8, SWB

12 = 4dr Saloon, XJ8, SWB, Sports

13 = 4dr Saloon, XJ8, SWB, Executive

14 = 4dr Saloon, XJ8, SWB, Sovereign

15 = 4dr Saloon, XJR, SWB

16 = 4dr Saloon, V8, SWB, Daimler

17 = 4dr Saloon, V8, SWB, Daimler Super

21 = 4dr Saloon, XJ8, LWB, 5 seat

22 = 4dr Saloon, XJ8, LWB, 5 seat, Executive

23 = 4dr Saloon, XJ8, LWB, 5 seat, Sovereign

24 = 4dr Saloon, V8, LWB, 5 seat, Daimler VDP

25 = 4dr Saloon, V8, LWB, 5 seat, Daimler Super

31 = 4dr Saloon, XJ8, LWB, 4 seat

32 = 4dr Saloon, XJ8, LWB, 4 seat, Sovereign

33 = 4dr Saloon, V8, LWB, 4 seat, Daimler

34 = 4dr Saloon, V8, LWB, 4 seat, Daimler Super

### PREFIX 8

#### Emissions

A = emission D

B = emission A S/C (USA/Canada)

C = emission L (USA/Canada)

D = emission C

E = emission C

F = emission C

G = emission C

H = emission C

J = emission A S/C

K = emission A

L = emission C

M = emission A

N = emission ?

P = emission ?

R = emission C

S = emission A

T = emission C

V = emission C

X = emission C

### PREFIX 9

#### Check Digit ?

### PREFIX 10

#### Model or Year Change

Y = 2000 Model Year

1 = 2001 Model Year

2 = 2002 Model Year

3 = 2003 Model Year

### PREFIX 11

#### Assembly Plant

A = Browns Lane, 3.2 AJ26

B = Browns Lane, 4.0 AJ26

D = Browns Lane, 4.0 s/c AJ26

K = Browns Lane, 3.2 AJ27

### PREFIX 11

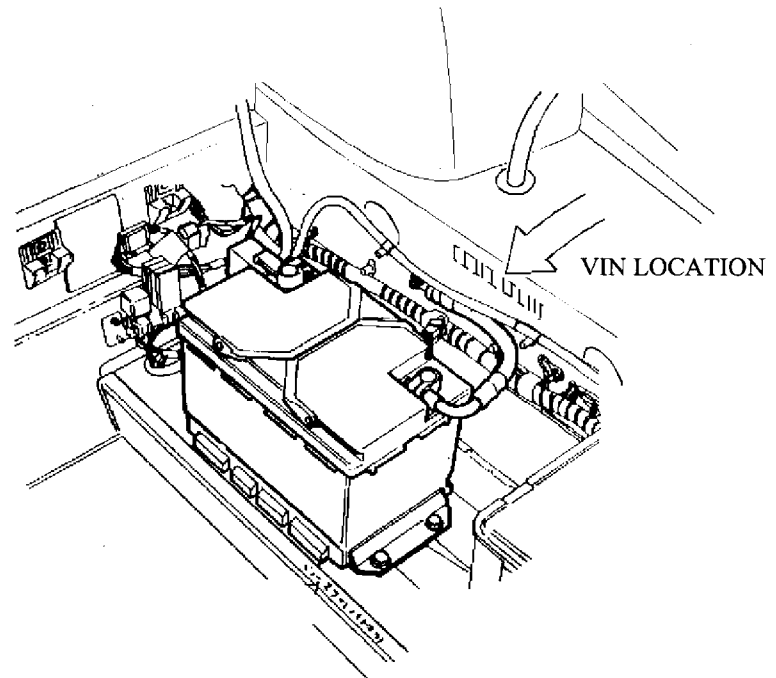
#### Assembly Plant cont'd

L = Browns Lane, 4.0 AJ27

M = Browns Lane, 4.0 s/c AJ27

### PREFIX 12 to 17

#### Production Serial Number

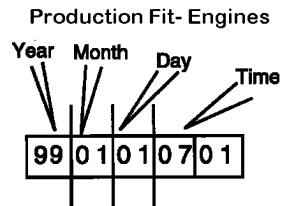
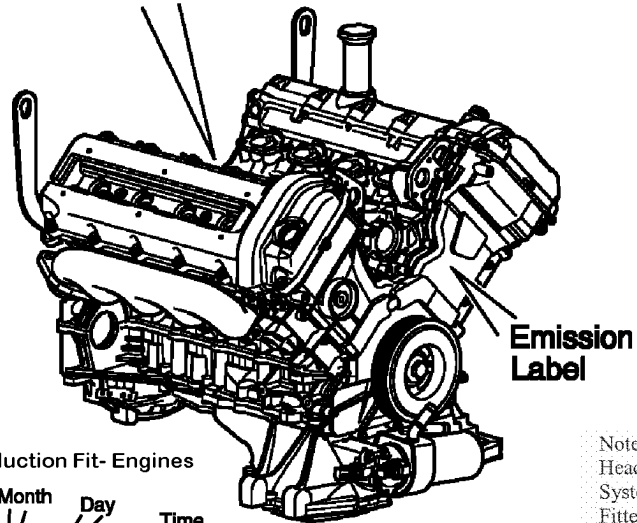


(1) Markets have twin depowered airbags & side airbags as standard

(2) Markets have twin depowered airbags & no side airbags

IP1578

**Engine Serial Number**  
 ( The V8 Engine Serial Number is 10 digits long. )

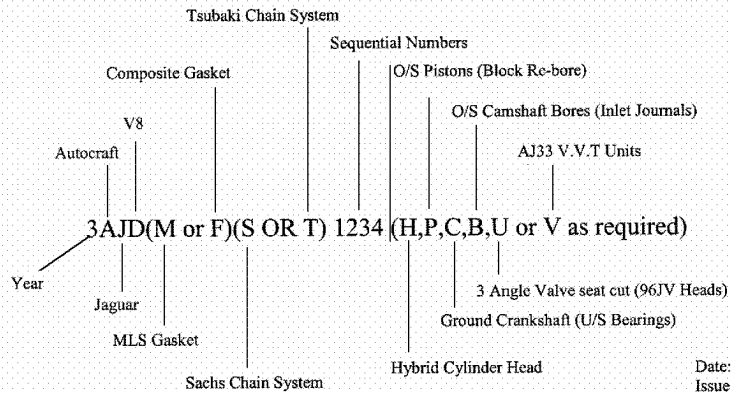


**V8**

Note:  
 Head Gaskets & Chain Systems are continually Fitted, so the I.D. letters will Always be part of the stamping. Care must be taken with the H, P, C, B, U & V options, as These may not always be used. In some cases, none of these letters will be required

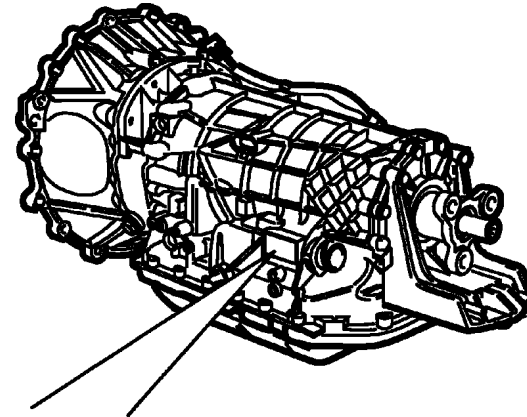
**Engine Serial Number Typical Example**

**Remanufactured Engines**

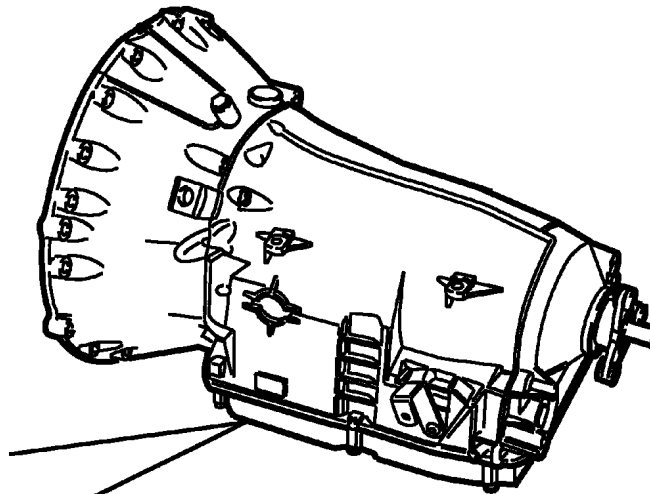


Date: 29.07.03  
 Issue No. 02  
 Issued by A. Slater

GEARBOX SERIAL NUMBER V8

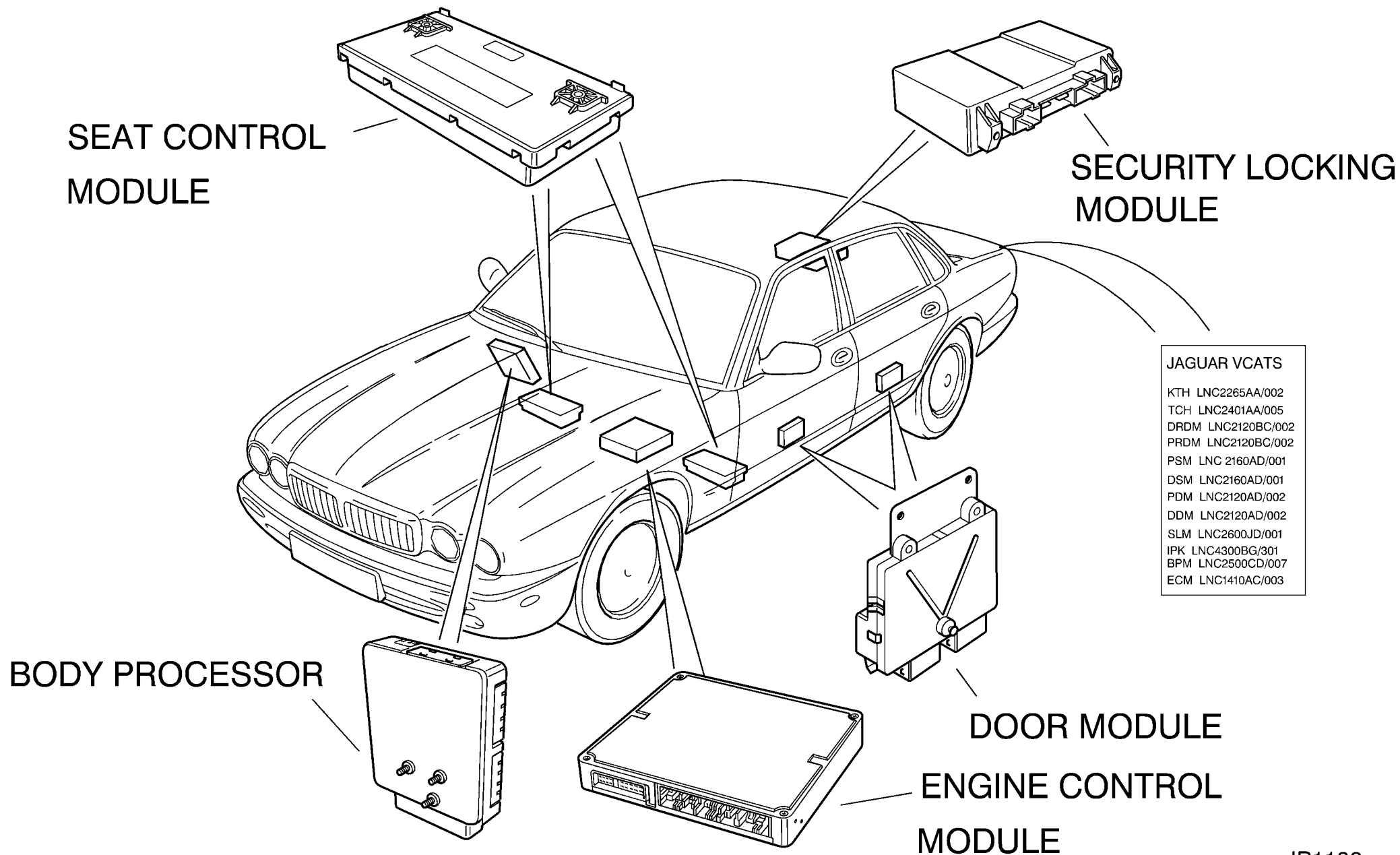


**Serial No Plate  
(Normally Aspirated)**



**Serial Number  
(Supercharged)**

# CONTROL MODULE LOCATIONS





### BODY COLOUR CODES

BODY COLOUR NAME	JBC NUMBER	SALES CODE
ANTHRACITE	1859	PED
ASPEN GREEN	1945	HGP
BRITISH RACING GREEN	1753	HGD
CARNIVAL	1811	CGG
EMERALD	1895	HGG
MISTRAL	1861	JHJ
PACIFIC	1905	JHM
PLATINUM	1916	MDZ
QUARTZ	1926	LHK
ROMAN BRONZE		BDE
SAPPHIRE	1806	JHE
SEAFROST	1860	MDV
SLATE	1943	LHL
TITANIUM	1810	LGL
TOPAZ	1820	SEC
WESTMINSTER BLUE	1712	JHG
WHITE ONYX	1942	NEG
ZIRCON	1927	JHV

## INTERIOR TRIM

MODEL	INTERIOR/ SEAT	FACIA		CONSOLE		DOOR CASING		
		Upper	Lower	Upper	Lower	Top Roll	Casing	Carpet
<b>XJ8/XJ8 Exec</b>	<b>W Charcoal</b>	W Charcoal	W Charcoal	W Charcoal	W Charcoal	W Charcoal	W Charcoal	Flint
<b>XJ8/XJ8 Exec</b>	<b>Cashmere</b>	Sable	Sable	Sable	Cashmere	Cashmere	Cashmere	Sable
<b>XJ8/XJ8 Exec</b>	<b>Oatmeal</b>	Antelope	Antelope	Antelope	Oatmeal	Oatmeal	Oatmeal	Sable
<b>XJ8/XJ8 Exec</b>	<b>Ivory</b>	Sable	Sable	Sable	Ivory	Ivory	Ivory	Sable
<b>XJ8 Sport</b>	<b>W Charcoal</b>	W Charcoal	W Charcoal	W Charcoal	W Charcoal	W Charcoal	W Charcoal	Flint
<b>XJ8 Sport</b>	<b>Nimbus G</b>	W Charcoal	W Charcoal	W Charcoal	Nimbus G	Nimbus G	Nimbus G	Flint
<b>XJ8 Sport</b>	<b>Oatmeal</b>	W Charcoal	W Charcoal	W Charcoal	Oatmeal	Oatmeal	Oatmeal	Flint
<b>XJ8 Sport</b>	<b>Ivory</b>	W Charcoal	W Charcoal	W Charcoal	Ivory	Ivory	Ivory	Flint
<b>Sov/Daim/VDP</b>	<b>W Charcoal</b>	W Charcoal	W Charcoal	W Charcoal	W Charcoal	W Charcoal	W Charcoal	Flint
<b>Sov/Daim/VDP</b>	<b>Ivory</b>	Sable	Ivory	Ivory	Ivory	Sable	Ivory	Sable
<b>Sov/Daim/VDP</b>	<b>Cashmere</b>	Sable	Cashmere	Cashmere	Cashmere	Sable	Cashmere	Sable
<b>Sov/Daim/VDP</b>	<b>Nimbus G</b>	Slate	Nimbus G	Nimbus G	Nimbus G	Slate	Nimbus G	Shadow G
<b>Sov/Daim/VDP</b>	<b>Oatmeal</b>	Antelope	Oatmeal	Oatmeal	Oatmeal	Antelope	Oatmeal	Sable
<b>Sov/Daim/VDP</b>	<b>Catkin</b>	Pine	Catkin	Catkin	Catkin	Pine	Catkin	Green
<b>XJR</b>	<b>W Charcoal</b>	W Charcoal	W Charcoal	W Charcoal	W Charcoal	W Charcoal	W Charcoal	Flint
<b>XJR</b>	<b>Ivory</b>	W Charcoal	Ivory	Ivory	Ivory	W Charcoal	Ivory	Flint
<b>XJR</b>	<b>Nimbus G</b>	W Charcoal	Nimbus G	Nimbus G	Nimbus G	W Charcoal	Nimbus G	Flint
<b>XJR</b>	<b>Oatmeal</b>	W Charcoal	Oatmeal	Oatmeal	Oatmeal	W Charcoal	Oatmeal	Flint
<b>OTHER COLOUR</b>	Parcel shelf	Gearknob	Facia end finisher	Ashtray				
<b>KEYED PARTS</b>	H.M.S.L.	S/Wheel rim		Cupholder		Door armrest		
	B/C post	Airbag module	Drivers stowage bin	J gate surround		Door switch-pack surround		
	Seatbelt height adj surround	Strg/column cowl						
	Seat switches							
	Rear seatbelt							
	Rear seatbelt escutcheon							

FOR REMAINDER OF TRIM REFER TO NEXT PAGE

IP1183

## INTERIOR TRIM

<b>MODEL</b>	<b>INTERIOR/ SEAT</b>	<b>Seatbelts</b>	<b>Apost Lower</b>	<b>Apost upper</b>	<b>Flange fin</b>	<b>Headlining</b>	<b>Rear Sunblid</b>	<b>Hbrake grip</b>	<b>Carpets</b>
<b>XJ8/XJ8 Exec</b>	<b>W Charcoal</b>	W Charcoal	W Charcoal	Nimbus G	W Charcoal	Nimbus G	W Charcoal	W Charcoal	Flint
<b>XJ8/XJ8 Exec</b>	<b>Cashmere</b>	Sable	Cashmere	Cashmere	Sable	Oatmeal	Sable	W Charcoal	Sable
<b>XJ8/XJ8 Exec</b>	<b>Oatmeal</b>	Oatmeal	Oatmeal	Oatmeal	Oatmeal	Oatmeal	Oatmeal	W Charcoal	Sable
<b>XJ8/XJ8 Exec</b>	<b>Ivory</b>	Sable	Sable	Ivory	Sable	Oatmeal	Sable	W Charcoal	Sable
<b>XJ8 Sport</b>	<b>W Charcoal</b>	W Charcoal	W Charcoal	Nimbus G	W Charcoal	Nimbus G	W Charcoal	W Charcoal	Flint
<b>XJ8 Sport</b>	<b>Nimbus G</b>	Nimbus G	Nimbus G	Nimbus G	Nimbus G	Nimbus G	Nimbus G	W Charcoal	Flint
<b>XJ8 Sport</b>	<b>Oatmeal</b>	Oatmeal	Oatmeal	Oatmeal	Oatmeal	Oatmeal	Oatmeal	W Charcoal	Flint
<b>XJ8 Sport</b>	<b>Ivory</b>	W Charcoal	W Charcoal	Ivory	Ivory	Oatmeal	W Charcoal	W Charcoal	Flint
<b>Sov/Daim/VDP</b>	<b>W Charcoal</b>	W Charcoal	W Charcoal	Nimbus G	W Charcoal	Nimbus G	W Charcoal	W Charcoal	Flint
<b>Sov/Daim/VDP</b>	<b>Ivory</b>	Sable	Sable	Ivory	Sable	Oatmeal	Sable	Sable	Sable
<b>Sov/Daim/VDP</b>	<b>Cashmere</b>	Sable	Cashmere	Cashmere	Sable	Oatmeal	Sable	Sable	Sable
<b>Sov/Daim/VDP</b>	<b>Nimbus G</b>	Nimbus G	Nimbus G	Nimbus G	Nimbus G	Nimbus G	Nimbus G	Slate	Shadow
<b>Sov/Daim/VDP</b>	<b>Oatmeal</b>	Oatmeal	Oatmeal	Oatmeal	Oatmeal	Oatmeal	Oatmeal	Antelope	Sable
<b>Sov/Daim/VDP</b>	<b>Catkin</b>	Catkin	Catkin	Catkin	Catkin	Oatmeal	Oatmeal	Pine	Green
<b>XJR</b>	<b>W Charcoal</b>	W Charcoal	W Charcoal	Nimbus G	W Charcoal	Nimbus G	W Charcoal	W Charcoal	Flint
<b>XJR</b>	<b>Ivory</b>	W Charcoal	W Charcoal	Ivory	W Charcoal	Oatmeal	W Charcoal	W Charcoal	Flint
<b>XJR</b>	<b>Nimbus G</b>	Nimbus G	Nimbus G	Nimbus G	Nimbus G	Nimbus G	Nimbus G	W Charcoal	Flint
<b>XJR</b>	<b>Oatmeal</b>	Oatmeal	Oatmeal	Oatmeal	Oatmeal	Oatmeal	Oatmeal	W Charcoal	Flint
<b>OTHER COLOUR</b>	Parcel shelf	Seatbelt webbing adjustment loop		Cantrail					
<b>KEYED PARTS</b>	H.M.S.L.			D/E post upp		Sunblind fixes			Mats
	B/C post			Coat hooks		Roof console			Rugs
	Seatbelt height adjustment surr			Grab handles					Seat slide covers
	Seat switches								
	Rear seatbelt escutcheon								
	H/brake gaiter								

## BREAKDOWN of TRIM COLOUR COMBINATIONS

<b>INTERIOR TRIM &amp; SEATS WITHOUT CONTRAST PIPING</b>		
	<i>LEATHER</i>	<i>CLOTH</i>
OATMEAL	AGD	AGF
W.CHARCOAL	LEG	LDZ
CASHMERE	SDZ	SEB
CATKIN	HFX	HGC
NIMBUS GREY	LFJ	LFL
IVORY	NED	Not available

<b>INTERIOR TRIM &amp; SEATS WITH CONTRAST PIPING</b>	
IVORY-SABLE	MND
CASHMERE-SABLE	MSZ
CATKIN-PINE	PHX
OATMEAL-ANTELOPE	AAD
NIMBUS-SLATE	ELJ
W.CHARCOAL-NIMBUS	DLG

<b>SEATBELTS</b>	
OATMEAL	AGD
NIMBUS GREY	LFJ
W.CHARCOAL	LEG
SABLE	AEK
CATKIN	HFX

<b>FACIA</b>		
<i>Upper</i>	<i>Lower</i>	
W.CHARCOAL	W.CHARCOAL	LEG
SABLE	SABLE	AEK
ANTELOPE	ANTELOPE	AGE
SABLE	IVORY	AES
SABLE	CASHMERE	AET
SLATE	NIMBUS	LGG
ANTELOPE	OATMEAL	AGK
PINE	CATKIN	HGB
W.CHARCOAL	OATMEAL	LGH
W.CHARCOAL	IVORY	LGJ
W.CHARCOAL	NIMBUS	LGK

<b>DOOR CASING</b>			
<i>Top roll</i>	<i>Lower Casing</i>	<i>Carpet</i>	
W.CHARCOAL	W.CHARCOAL	FLINT	LEG
CASHMERE	CASHMERE	SABLE	SDZ
IVORY	IVORY	SABLE	IAK
IVORY	IVORY	FLINT	ILN
OATMEAL	OATMEAL	SABLE	BAK
OATMEAL	OATMEAL	FLINT	BLN
NIMBUS	NIMBUS	FLINT	LFJ
SABLE	IVORY	SABLE	AES
SABLE	CASHMERE	SABLE	AET
SLATE	NIMBUS	SHADOW	LGG
ANTELOPE	OATMEAL	SABLE	AGK
PINE	CATKIN	GREEN	HGB
W.CHARCOAL	OATMEAL	FLINT	LGH
W.CHARCOAL	IVORY	FLINT	LGJ
W.CHARCOAL	NIMBUS	FLINT	LGK

<b>CONSOLE</b>		
<i>Upper</i>	<i>Lower</i>	
W.CHARCOAL	W.CHARCOAL	HLG
SABLE	IVORY	MND
SABLE	CASHMERE	MSZ
ANTELOPE	OATMEAL	AAD
W.CHARCOAL	OATMEAL	HAD
W.CHARCOAL	NIMBUS	HLJ
W.CHARCOAL	IVORY	HND
CASHMERE	CASHMERE	KSZ
CATKIN	CATKIN	CHX
IVORY	IVORY	IND
NIMBUS	NIMBUS	DLJ
OATMEAL	OATMEAL	BAD

<b>OTHER INTERIOR TRIM</b>	
OATMEAL	AGD
NIMBUS GREY	LFJ
CASHMERE	SDZ
IVORY	NED
CATKIN	HFX
W.CHARCOAL	LEG
SABLE	AEK
PINE	HFY
ANTELOPE	AGE
SLATE	LFK

<b>INTERIOR CARPETS</b>	
SHADOW GREY	LFM
SABLE	AEK
FLINT	LFN
GREEN	HFZ

<b>BOOT CARPET</b>	
GREY FLECK	LFX