

## **V8 – XJ Series**

**1998 MY on  
Canada, Mexico, USA.**

# **Parts Catalog**

**Part No. JLM20571**

Whilst every effort is made to ensure the accuracy of the particulars contained in this Manual the Manufacturing Companies will not, in any circumstances, be held liable for any inaccuracies or the consequences thereof.

© Jaguar Cars Ltd 1997

All rights reserved. No part of this publication may be reproduced, stored in a retrieval system or transmitted in any form, whether by electronic, mechanical, photocopying, recording or other means without the permission of Jaguar Cars Limited.

Replacement parts that are not of genuine Jaguar supply cannot be relied upon to be of correct specification, material, and workmanship and therefore Jaguar cannot be expected to extend warranty to vehicles which have been fitted with parts not supplied by them.

Jaguar reserves the right to make changes or improvements in the construction or specification of their products at any time.

IN ORDER TO ENSURE PROMPT AND CORRECT EXECUTION OF YOUR ORDERS IT IS ESSENTIAL TO QUOTE:-

1. The relative Unit Number, together with prefixes, suffixes and specification references where applicable.  
eg. Axle, Body, Vehicle Identification, Engine, Gearbox Numbers etc.
2. The Part Number and description (prefix and suffix letters to Part Numbers must always be quoted).
3. Always state the colour of carpets, painted items, trim items etc, using the colour code from the Vehicle Identification Number (VIN) plate and the colour combination key to identify the colour name.
4. The quantity required bearing in mind that the quantities shown are those used in the application actually illustrated. Sometimes only minimum package quantities are available. These packs may well contain more parts than are required for a single job; for details of packaged quantities, see the Service Parts List.

THE LISTING OR ILLUSTRATING OF AN ITEM DOES NOT  
GUARANTEE ITS AVAILABILITY.

IP1187

## INDEX TO INTRODUCTION SECTION

MICROFICHE PAGE REFERENCE	PAGE TITLE	REMARKS
B03	STANDARD ABBREVIATIONS	Standard abbreviations used in the microfiche text are referenced on this page.
BO4	VEHICLE IDENTIFICATION NUMBERING SYSTEM (UP TO 2000 MODEL YEAR)	VIN Serial letters and numbers explained. VIN plate location.
B05	UNIQUE VEHICLE IDENTIFICATION	VIN Serial letters and numbers explained. VIN plate location
BO6	VEHICLE IDENTIFICATION NUMBERING SYSTEM (GLOBAL) FROM 2000 MODEL YEAR	VIN Serial letters and numbers explained. VIN plate location.
B07	Model Year VIN NUMBERS	Details of Model Year Commencing VIN Numbers
B08	MAJOR UNIT IDENTIFICATION NUMBERING SYSTEM	Location of Engine & Gearbox Serial Numbers.
B09	CONTROL MODULE LOCATIONS	Location of Control Modules.
B10	COLOUR CROSS REFERENCE	Body colour codes
B11	TRIM COLOUR COMBINATION CHART	Denotes trim colour ranges applicable to specific areas of the vehicle interior.
B12	TRIM COLOUR COMBINATION CHART	Denotes trim colour ranges applicable to specific areas of the vehicle interior.
B13	TRIM COLOUR COMBINATION CODES	Denotes trim colour code
B14-15	HOW TO USE THE PARTS MICROFICHE	Details of microfiche layout and content. Methods of use explained





## VEHICLE IDENTIFICATION NUMBERING SYSTEM (GLOBAL) FROM 2000 Model Year

The Vehicle Identification Number comprises of a set of letters and numbers, representing such information as Marque, Range, Class, Engine type, etc. The code for the Jaguar 4.0 Litre is as follows:

### **PREFIX 1 to 3**

#### **World Manufacturing Identifier**

SAJ = Jaguar

### **PREFIX 4**

#### **Market & Airbag Spec**

B = Canada (2)

D = USA (1)

F = Canada (1)

J = USA (2)

P = Mexico (1)

R = Mexico (2)

### **PREFIX 5**

#### **Transmission & Steering**

A = Automatic LHS

### **PREFIX 6 & 7**

#### **Body Code**

11 = 4dr Saloon, XJ8, SWB

12 = 4dr Saloon, XJ8, SWB, Sports

13 = 4dr Saloon, XJ8, SWB, Executive

14 = 4dr Saloon, XJ8, SWB, Sovereign

15 = 4dr Saloon, XJR, SWB

21 = 4dr Saloon, XJ8, LWB, 5 seat

22 = 4dr Saloon, XJ8, LWB, 5 seat, Executive

23 = 4dr Saloon, XJ8, LWB, 5 seat, Sovereign

31 = 4dr Saloon, XJ8, LWB, 4 seat

32 = 4dr Saloon, XJ8, LWB, 4 seat, Sovereign

### **PREFIX 8**

#### **Emissions**

B = emission A S/C (USA/Canada)

C = emission L (USA/Canada)

### **PREFIX 9**

#### **Check Digit ?**

### **PREFIX 10**

#### **Model or Year Change**

Y = 2000 Model Year

1 = 2001 Model Year

2 = 2002 Model Year

3 = 2003 Model Year

### **PREFIX 11**

#### **Assembly Plant**

B = Browns Lane, 4.0 AJ26

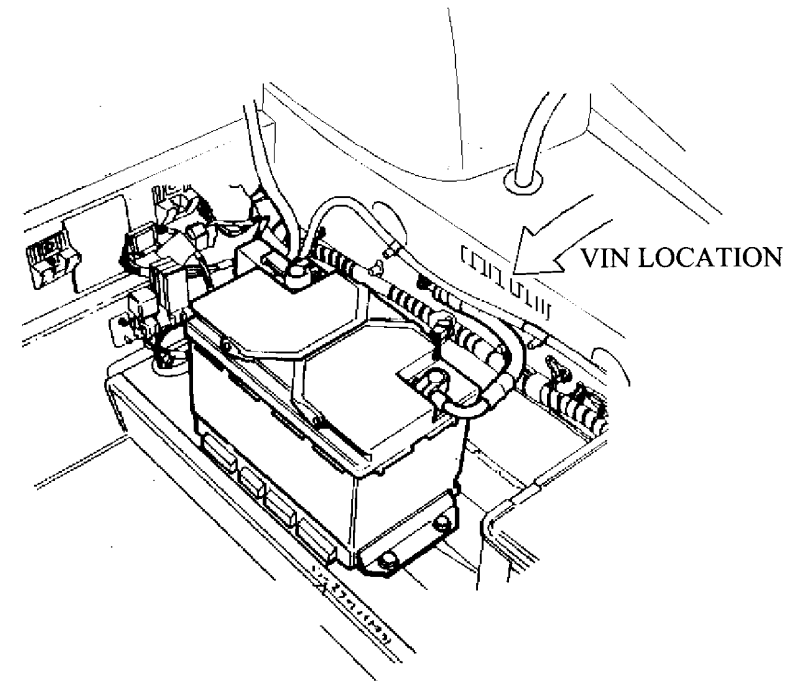
D = Browns Lane, 4.0 s/c AJ26

L = Browns Lane, 4.0 AJ27

M = Browns Lane, 4.0 s/c AJ27

### **PREFIX 12 to 17**

#### **Production Serial Number**



(1) Markets have twin depowered airbags & side airbags as standard

(2) Markets have twin depowered airbags & no side airbags

# UNIQUE VEHICLE IDENTIFICATION NUMBERING

**PREFIX 1 to 3**  
**World Manufacturing Identifier**

SAJ = Jaguar

**PREFIX 4**  
**Model Range**

F = XJ  
H = Sovereign  
P = XJR/XJSport

**PREFIX 5**  
**Class**

N = Canada, AB/2  
S = Mexico, AB/2  
X = USA, AB/2

**PREFIX 6**  
**Body Type**

1 = 4dr Saloon, SWB  
6 = 4dr Saloon, LWB, 5 seat  
7 = 4dr Saloon, LWB, 4 seat

**PREFIX 7**  
**Engine Type**

7 = 4.0 Litre, emission A  
8 = 4.0 Litre S/C, emission A  
9 = 4.0 Litre, emission C

**PREFIX 8**  
**Transmission and Steering    Assembly Plant**

4 = Auto, LHS

**PREFIX 9**  
**Check Digit ?**

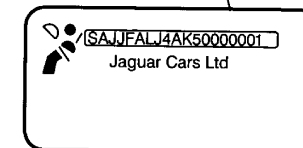
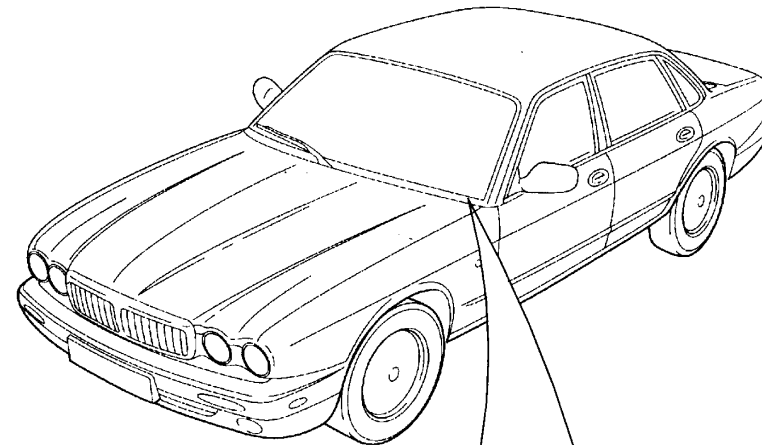
**PREFIX 10**  
**Model Year**

W = 1998 MY  
X = 1999 MY

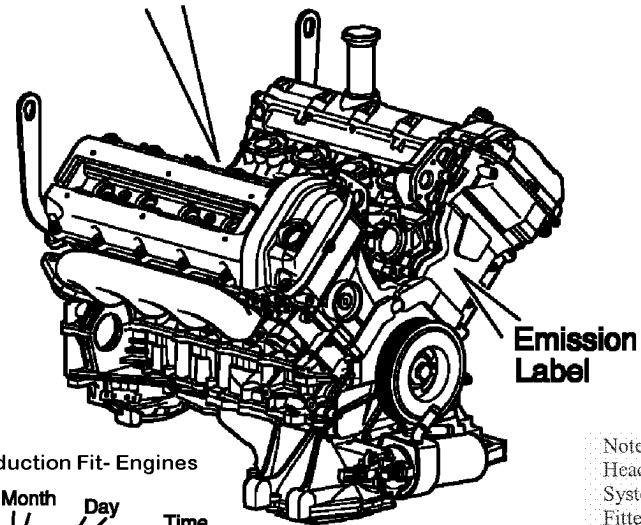
**PREFIX 11**  
**Assembly Plant**

C = Browns Lane

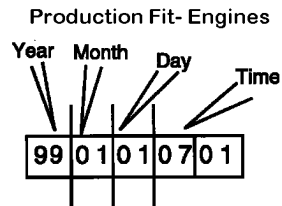
**PREFIX 12 to 17**  
**Production Serial Number**



**Engine Serial Number**  
 ( The V8 Engine Serial Number is 10 digits long. )



**Emission Label**

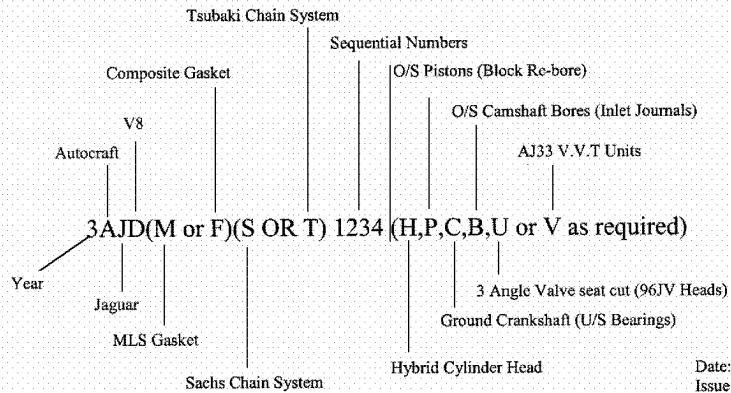


**V8**

Note:  
 Head Gaskets & Chain Systems are continually Fitted, so the I.D. letters will Always be part of the stamping. Care must be taken with the H, P, C, B, U & V options, as These may not always be used. In some cases, none of these letters will be required

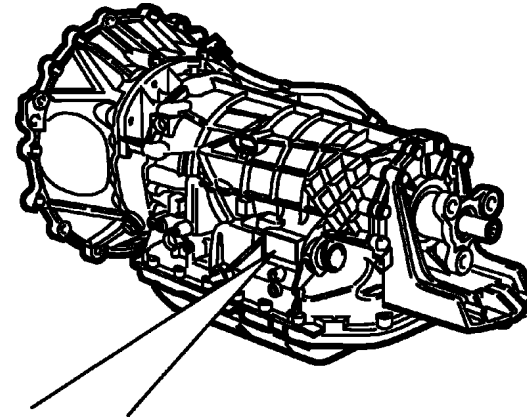
**Engine Serial Number Typical Example**

**Remanufactured Engines**

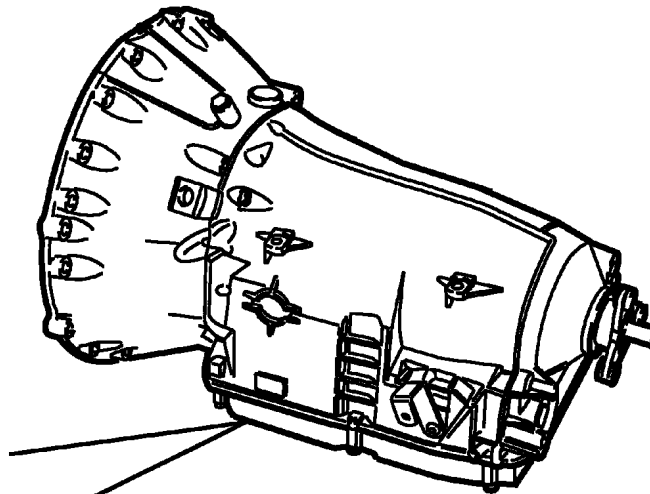


Date: 29.07.03  
 Issue No. 02  
 Issued by A. Slater

GEARBOX SERIAL NUMBER V8



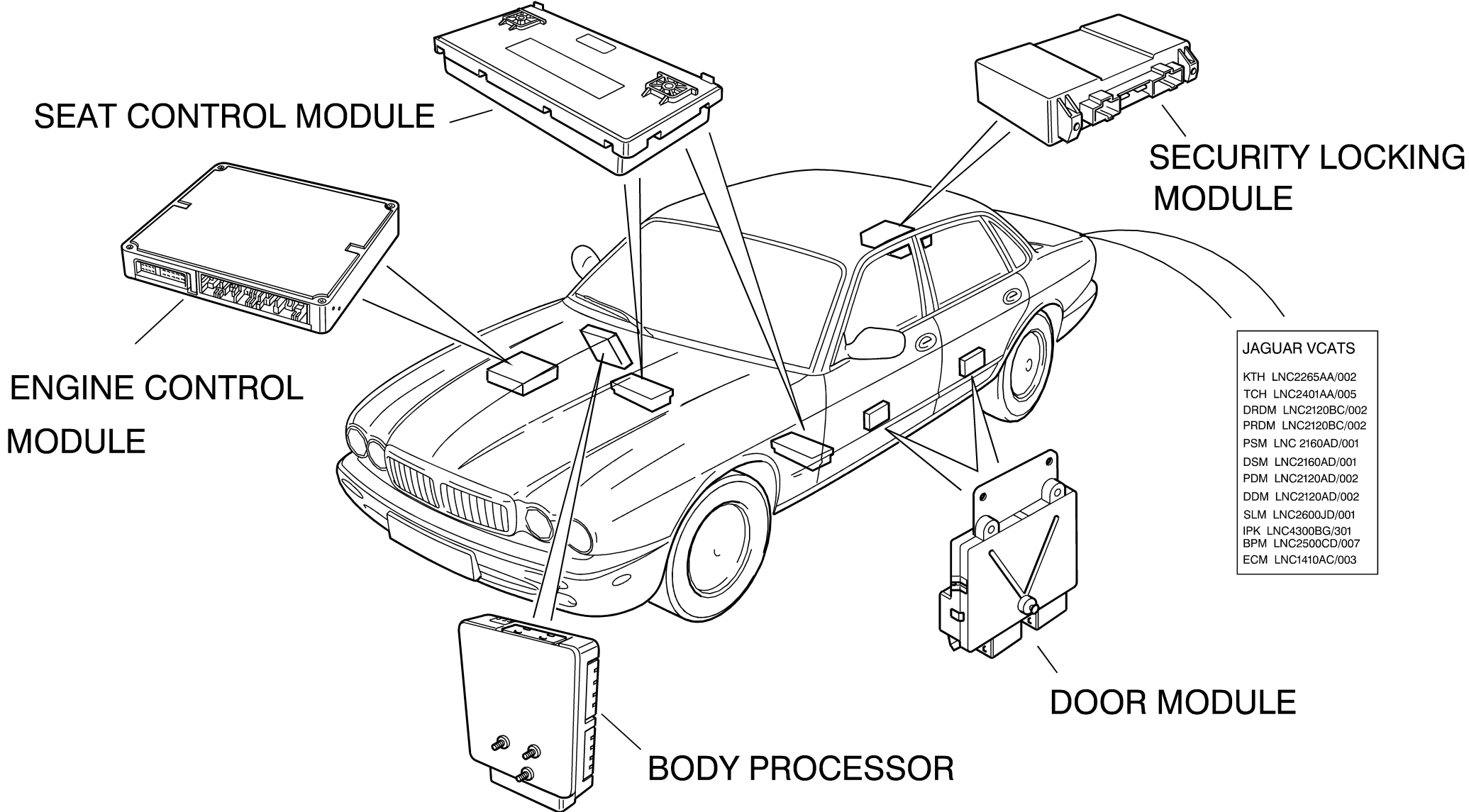
**Serial No Plate  
(Normally Aspirated)**



**Serial Number  
(Supercharged)**

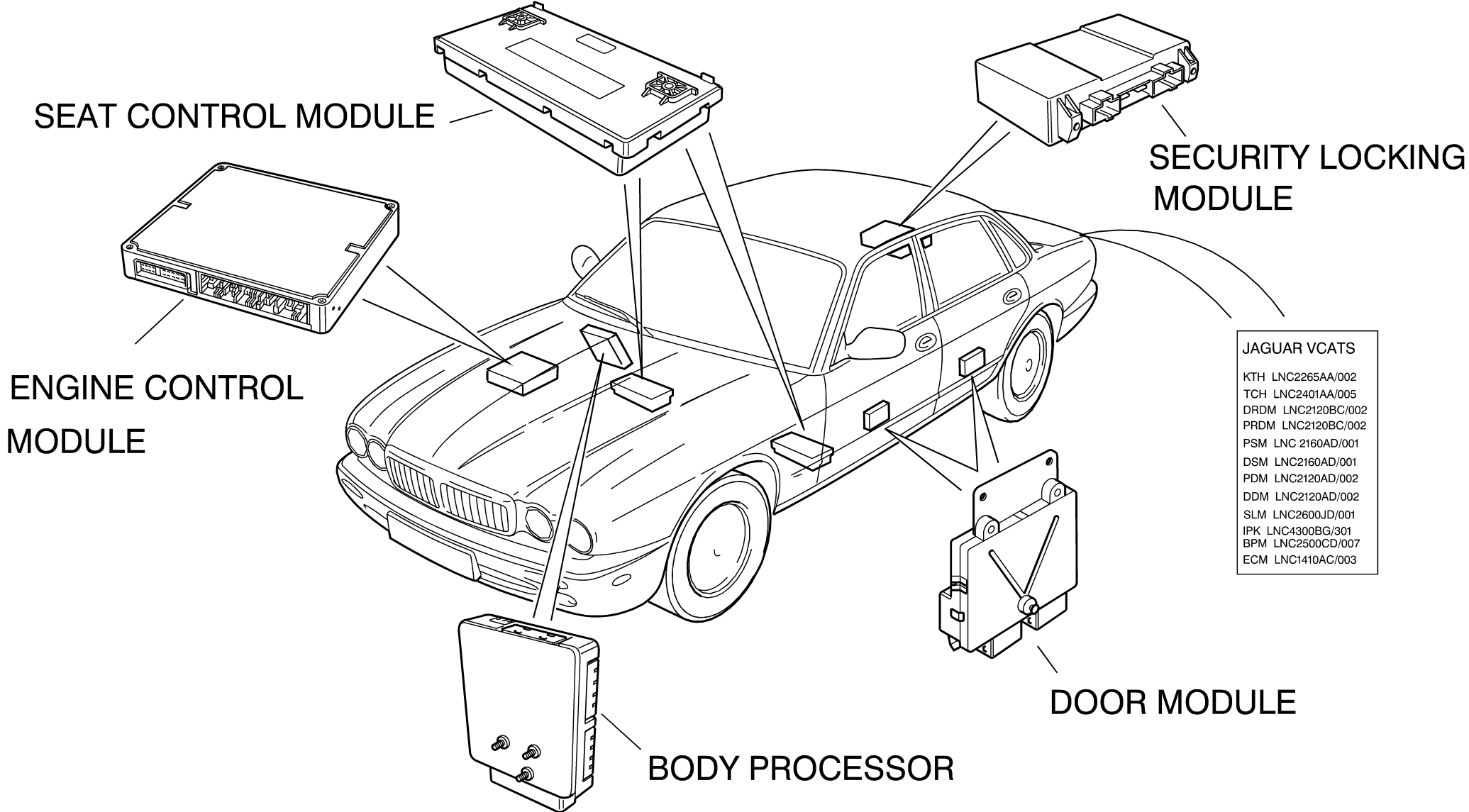


# CONTROL MODULE LOCATIONS



JAGUAR VCATS	
KTH	LNC2265AA/002
TCH	LNC2401AA/005
DRDM	LNC2120BC/002
PRDM	LNC2120BC/002
PSM	LNC 2160AD/001
DSM	LNC2160AD/001
PDM	LNC2120AD/002
DDM	LNC2120AD/002
SLM	LNC2600JD/001
IPK	LNC4300BG/301
BPM	LNC2500CD/007
ECM	LNC1410AC/003

# CONTROL MODULE LOCATIONS



- JAGUAR VCATS
- KTH LNC2265AA/002
  - TCH LNC2401AA/005
  - DRDM LNC2120BC/002
  - PRDM LNC2120BC/002
  - PSM LNC 2160AD/001
  - DSM LNC2160AD/001
  - PDM LNC2120AD/002
  - DDM LNC2120AD/002
  - SLM LNC2600JD/001
  - IPK LNC4300BG/301
  - BPM LNC2500CD/007
  - ECM LNC1410AC/003

## INTERIOR TRIM

	<b>INTERIOR/ SEAT</b>	<b>FACIA</b>		<b>CONSOLE</b>		<b>DOOR CASING</b>		
<b>MODEL</b>		<i>Upper</i>	<i>Lower</i>	<i>Upper</i>	<i>Lower</i>	<i>Top Roll</i>	<i>Casing</i>	<i>Carpet</i>
<b>XJ8/SOV/VDP</b>	<b>Ivory</b>	Sable	Ivory	Ivory	Ivory	Sable	Ivory	Sable
<b>XJ8/SOV/VDP</b>	<b>Cashmere</b>	Sable	Cashmere	Cashmere	Cashmere	Sable	Cashmere	Sable
<b>XJ8/SOV/VDP</b>	<b>Oatmeal</b>	Antelope	Oatmeal	Oatmeal	Oatmeal	Antelope	Oatmeal	Sable
<b>XJR</b>	<b>W Charcoal</b>	W Charcoal	W Charcoal	W Charcoal	W Charcoal	W Charcoal	W Charcoal	Flint
<b>XJR</b>	<b>Ivory</b>	W Charcoal	Ivory	Ivory	Ivory	W Charcoal	Ivory	Flint
<b>XJR</b>	<b>Nimbus G</b>	W Charcoal	Nimbus G	Nimbus G	Nimbus G	W Charcoal	Nimbus G	Flint
<b>XJR</b>	<b>Oatmeal</b>	W Charcoal	Oatmeal	Oatmeal	Oatmeal	W Charcoal	Oatmeal	Flint
	Parcel shelf	Gearknob	Facia end finisher	Ashtray				
<b>OTHER COLOUR</b>	H.M.S.L.	S/Wheel rim		Cupholder		Door armrest		
<b>KEYED PARTS</b>	B/C post	Airbag module	Drivers stow- age bin	J gate surround		Door switch- pack surround		
	Seatbelt height adj surround	Strg/column cowl						
	Seat switches							
	Rear seatbelt							
	Rear seatbelt escutcheon							

FOR REMAINDER OF TRIM REFER TO NEXT PAGE

IP1234

## INTERIOR TRIM

<b>MODEL</b>	<b>INTERIOR/ SEAT</b>	<b>Seatbelts</b>	<b>Apost Lower</b>	<b>Apost upper</b>	<b>Flange fin</b>	<b>Headlining</b>	<b>Rear Sunblid</b>	<b>Hbrake grip</b>	<b>Carpets</b>
<b>XJ8/SOV/VDP</b>	<b>Ivory</b>	Sable	Sable	Ivory	Sable	Oatmeal	Sable	Sable	Sable
<b>XJ8/SOV/VDP</b>	<b>Cashmere</b>	Sable	Cashmere	Cashmere	Sable	Oatmeal	Sable	Sable	Sable
<b>XJ8/SOV/VDP</b>	<b>Oatmeal</b>	Oatmeal	Oatmeal	Oatmeal	Oatmeal	Oatmeal	Oatmeal	Antelope	Sable
<b>XJR</b>	<b>W Charcoal</b>	W Charcoal	W Charcoal	Nimbus G	W Charcoal	Nimbus G	W Charcoal	W Charcoal	Flint
<b>XJR</b>	<b>Ivory</b>	W Charcoal	W Charcoal	Ivory	W Charcoal	Oatmeal	W Charcoal	W Charcoal	Flint
<b>XJR</b>	<b>Nimbus G</b>	Nimbus G	Nimbus G	Nimbus G	Nimbus G	Nimbus G	Nimbus G	W Charcoal	Flint
<b>XJR</b>	<b>Oatmeal</b>	Oatmeal	Oatmeal	Oatmeal	Oatmeal	Oatmeal	Oatmeal	W Charcoal	Flint
	Parcel shelf	Seatbelt webbing adjustment loop		Cantrail					
<b>OTHER COLOUR</b>	H.M.S.L.			D/E post upp		Sunblind fixes			Mats
<b>KEYED PARTS</b>	B/C post			Coat hooks		Roof console			Rugs
	Seatbelt height adjustment surr			Grab handles					Seat slide covers
	Seat switches								
	Rear seatbelt escutcheon								
	H/brake gaiter								

## BREAKDOWN of TRIM COLOUR COMBINATIONS

### INTERIOR TRIM & SEATS WITHOUT CONTRAST PIPING

	LEATHER
OATMEAL	AGD
W.CHARCOAL	LEG
CASHMERE	SDZ
NIMBUS GREY	LFJ
IVORY	NED

### INTERIOR TRIM & SEATS WITH CONTRAST PIPING

IVORY-SABLE	MND
CASHMERE-SABLE	MSZ
OATMEAL-ANTELOPE	AAD
NIMBUS-SLATE	ELJ
W.CHARCOAL-NIMBUS	DLG

### SEATBELTS

OATMEAL	AGD
NIMBUS GREY	LFJ
W.CHARCOAL	LEG
SABLE	AEK

### FACIA

Upper	Lower	
W.CHARCOAL	W.CHARCOAL	LEG
SABLE	IVORY	AES
SABLE	CASHMERE	AET
ANTELOPE	OATMEAL	AGK
W.CHARCOAL	OATMEAL	LGH
W.CHARCOAL	IVORY	LGJ
W.CHARCOAL	NIMBUS	LGK

### DOOR CASING

Top roll	Lower Casing	Carpet	
W.CHARCOAL	W.CHARCOAL	FLINT	LEG
SABLE	IVORY	SABLE	AES
SABLE	CASHMERE	SABLE	AET
ANTELOPE	OATMEAL	SABLE	AGK
W.CHARCOAL	OATMEAL	FLINT	LGH
W.CHARCOAL	IVORY	FLINT	LGK
W.CHARCOAL	NIMBUS	FLINT	LGK

### CONSOLE

Upper	Lower	
W.CHARCOAL	W.CHARCOAL	HLG
CASHMERE	CASHMERE	KSZ
IVORY	IVORY	IND
NIMBUS	NIMBUS	DLJ
OATMEAL	OATMEAL	BAD

### OTHER INTERIOR TRIM

OATMEAL	AGD
NIMBUS GREY	LFJ
CASHMERE	SDZ
IVORY	NED
CATKIN	HFX
W.CHARCOAL	LEG
SABLE	AEK
PINE	HFY
ANTELOPE	AGE
SLATE	LFK

### INTERIOR CARPETS

SABLE	AEK
FLINT	LFN

### BOOT CARPET

GREY FLECK	LFX
------------	-----