

JAGUAR



Parts Catalogue

Jaguar X-TYPE

Whilst every effort is made to ensure the accuracy of the particulars contained in this catalogue the Manufacturing companies will not, in any circumstances, be held liable for any inaccuracies or the consequences thereof.

© Jaguar Cars Ltd 2005

All rights reserved. No part of this publication may be reproduced, stored in a retrieval system or transmitted in any form, whether by electronic, mechanical, photocopying, recording or other means without the permission of Jaguar Cars Limited.

Replacement parts that are not of genuine Jaguar supply cannot be relied upon to be of correct specification, material, and workmanship and therefore Jaguar cannot be expected to extend warranty to vehicles which have been fitted with parts not supplied by them.

Jaguar reserves the right to make changes or improvements in the construction or specification of their products at any time.

IN ORDER TO ENSURE PROMPT AND CORRECT EXECUTION OF YOUR ORDERS, IT IS ESSENTIAL TO QUOTE:

1. The relative unit number, together with prefixes, suffixes and specification references where applicable. e.g. Axle, Body, Vehicle Identification, Engine, Gearbox Numbers etc.
2. The Part Number and description (prefix and suffix letters to part numbers must always be quoted).
3. Always state the colour of carpets, painted items, trim items etc., using the colour code from the Vehicle Identification Number (VIN) plate and the colour combination key to identify the colour name.
4. The quantity required, bearing in mind that the quantities shown are those used in the application actually illustrated. Sometimes only minimum package quantities are available. These packs may well contain more parts than are required for a single job; for details of packaged quantities, see the Service Parts List.

THE LISTING OR ILLUSTRATING OF AN ITEM DOES NOT GUARANTEE ITS AVAILABILITY

Geographical Groupings

Where appropriate, applications for individual markets are displayed on the parts list section of the EPC window if there is more than one choice. If there is only one choice it is displayed in the “Attributes/Change Points” text box.

For convenience markets are sometimes categorised in to geographical groups.

Definitions of the geographical groups used in this catalogue are as follows:

Rough Road Markets

Argentina, Australia, Bahrain, Brazil, Chile, Dominican Republic, Dubai, Egypt, Estonia, Israel, Jordan, Kuwait, Lebanon, Malaysia, Mexico, Morocco, New Zealand, Oman, Panama, Phillipines, Russia, Saudi Arabia, South Africa, Sri Lanka, Syria, Thailand

Hot Markets

Taiwan, Singapore, Saudi Arabia, Indonesia, Phillipines, Panama, Malaysia, Mexico, Egypt, Dominican Republic, Lebanon, Kuwait, Jordan, Hong Kong, Bahrain, Dubai, Turkey, Argentina, Oman, Abu Dhabi, Brazil, Brunei, Chile, Cyprus, Greece, Guatemala, Israel, Korea, Malta, Morocco, Qatar, Syria, Tenerife, Uruguay, Vietnam

Standard Abbreviations

Standard abbreviations are used in this parts list as follows.

(B)	Body number	LHD	Left hand drive
(E)	Engine number	LWB	Long wheel base
(G)	Gearbox number	m	Metres
(V)	Vehicle Identification Number (VIN)	MAP	Manifold air pressure
c/w	Complete with	MHz	Megahertz
CD	Compact Disc	mph	Miles per hour
CM	Centimetre	NLA	No longer available from Jaguar Cars Ltd
dia	Diameter	NSP	Non serviced part
DVD	Digital Versatile DISC	NSS	Not supplied seperately
EATC	Electronic automatic temperature control	o/d	Outside diameter
EGR	Exhaust gas re-circulation	PCB	Printed circuit board
EPB	Electronic park brake	RH	Right hand
g	Gram	RHD	Right hand drive
GDO	Garage door opener	RTV	Room temperature vulcanising
IVD	Interactive vehicle dynamics	SWB	Short wheel base
HC	High compression	v	Volts
HID	High intensity discharge	VDP	Vanden Plas
i/d	Inside diameter	VICS	Vehicle Information Communication System
kg	Kilogram	w	Watt
kph	Kilometres per hour		
LC	Low compression		
LH	Left hand		
		Part Number Suffix Letters:	
		E	Exchange
		N	New

DVD Regions

Region 1

Canada, U.S. and its Territories, Puerto Rico, American Samoa, U.S. Virgin Islands, Guam, Palau, Micronesia, Mariana Islands, Marshall Islands

Region 2

Albania, Andorra, Austria, Bahrain, Belgium, Bosnia and Herzegovina, Bulgaria, Croatia, Czech Republic, Denmark, Egypt, Finland, France, Germany, Gibraltar, Greece, Greenland, Hungary, Iceland, Iran, Iraq, Ireland, Israel, Italy, Japan, Jordan, Kuwait, Lebanon, Liechtenstein, Luxembourg, Macedonia, Malta, Moldova, Monaco, Netherlands, Norway, Oman, Poland, Portugal, Qatar, Romania, San Marino, Saudi Arabia, Slovakia, Slovenia, South Africa, Spain, Sweden, Switzerland, Syria, United Arab Emirates, United Kingdom, Vatican City, Yemen, Yugoslavia.

Region 3

Cambodia, Hong Kong, Indonesia, Laos, Malaysia, Myanmar, Philippines, South Korea, Taiwan, Thailand, Vietnam

Region 4

Antigua and Barbuda, Argentina, Aruba, Australia, Bahamas, Barbados, Belize, Bolivia, Brazil, Chile, Colombia, Costa Rica, Cuba, Dominica, Dominican Republic, Ecuador, El Salvador, Falkland Islands, French Guiana, Grenada, Guatemala, Guyana, Haiti, Honduras, Jamaica, Mexico, New Guinea, New Zealand, Nicaragua, Panama, Paraguay, Peru, Suriname, Trinidad and Tobago, Uruguay, Venezuela

Region 5

Afghanistan, Algeria, Angola, Bangladesh, Belarus, Benin, Botswana, Burkina Faso, Burundi, Cameroon, Cape Verde, Central African Republic, Chad, Comoros, Congo, Djibouti, Equatorial Guinea, Eritrea, Estonia, Ethiopia, Gabon, Gambia, Georgia, Ghana, Guinea, Guinea-Bissau, India, Ivory Coast, Kazakhstan, Kenya, Latvia, Lesotho, Liberia, Libya, Lithuania, Madagascar, Malawi, Mali, Mauritania, Mauritius, Mongolia, Morocco, Mozambique, Namibia, Niger, Nigeria, North Korea, Pakistan, Russia, Rwanda, Sao Tome and Principe, Senegal, Seychelles, Sierra Leone, Somalia, Sri Lanka, St. Helena, Sudan, Tanzania, Togo, Tunisia, Turkmenistan, Uganda, Ukraine, Uzbekistan, Zambia, Zimbabwe

Region 6

China

Vehicle Identification Numbering System (Global)

The Vehicle Identification Number comprises a series of letters and numbers representing in code such information as Marque, Model Range, Class, Engine Type, etc. The codes for X-TYPE are as follows:

PREFIX 1 to 3

World manufacturing Identifier

SAJ = Jaguar

PREFIX 4

Market & Airbag Spec

A = Rest of World
E = USA (1)
G = Canada (1)
K = Japan
T = Mexico (1)
W = USA (2)
X = Canada (2)
Y = Mexico (2)

PREFIX 5

Transmission & Steering

A = AWD Automatic LHS
B = AWD Manual LHS
C = AWD Automatic RHS
D = AWD Manual RHS
E = FWD Automatic LHS
F = FWD Manual LHS
G = FWD Automatic RHS
H = FWD Manual RHS

PREFIX 6 & 7

Body Code

51 = X-TYPE 4-door High Series
52 = X-TYPE 4-door Entry Series
53 = X-TYPE 4-door Sport Series
54 = X-TYPE 4-door High Series Estate

55 = X-TYPE 4-door Entry Series Estate

56 = X-TYPE 4-door Sport Series Estate

PREFIX 8

Emission

B = ECS 2
C = ECS 3
D = ECS 4
E = ECS 5
F = ECS 6
G = ECS 7
K = ECS 10
N = ECS 13
P = ECS 14
R = ECS 15
S = ECS 16
T = ECS 17
U = ECS 18
V = ECS 19
W = ECS 20
X = ECS 21
Y = ECS 22
1 = ECS 23
2 = ECS 24
3 = ECS 25
4 = ECS 26

PREFIX 9

Check Digit ?

PREFIX 10

Model or Year Change

3 = 2003 Model Year
4 = 2004 Model Year
5 = 2005 Model Year
6 = 2006 Model Year

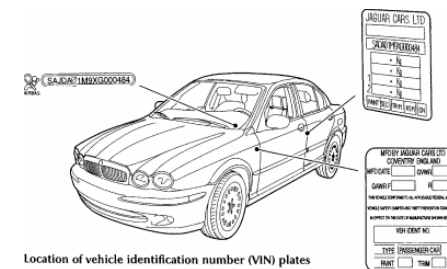
PREFIX 11

Assembly Plant

W = Halewood X-TYPE 3.0V6
X = Halewood X-TYPE 2.5V6
Y = Halewood X-TYPE 2.0V6
6 = Halewood X-TYPE 2.0i4 Diesel
B = Halewood X-TYPE 2.2i4 Diesel

PREFIX 12 to 17

Production Serial Number

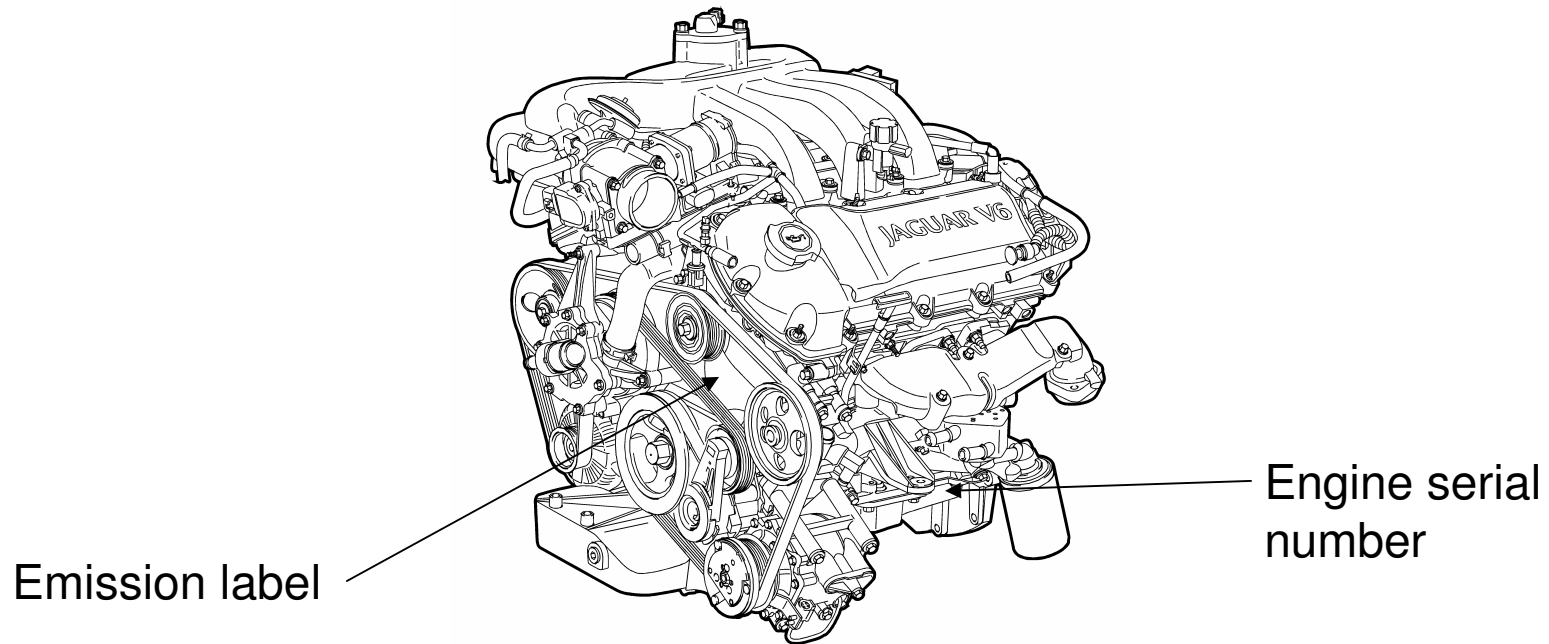


Model Year VIN Introductions

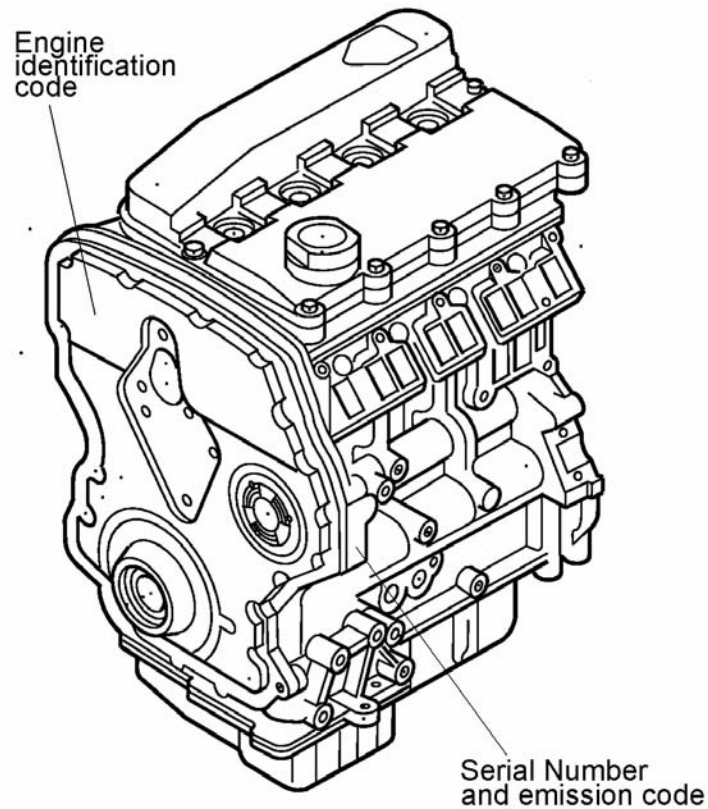
- **2001 MY From (V) C00344**
- **2002 MY From (V) C42385**
- **2002.25 MY From (V) C59261**
- **2003 MY From (V) D01808**
- **2004 MY From (V) D56272**
- **2004.5 MY From (V) D86655**
- **2005 MY From (V) E19616**
- **2005.5 MY From (V) E46483**
- **2006MY From (V) E67744**

V6 Engine Serial Numbers

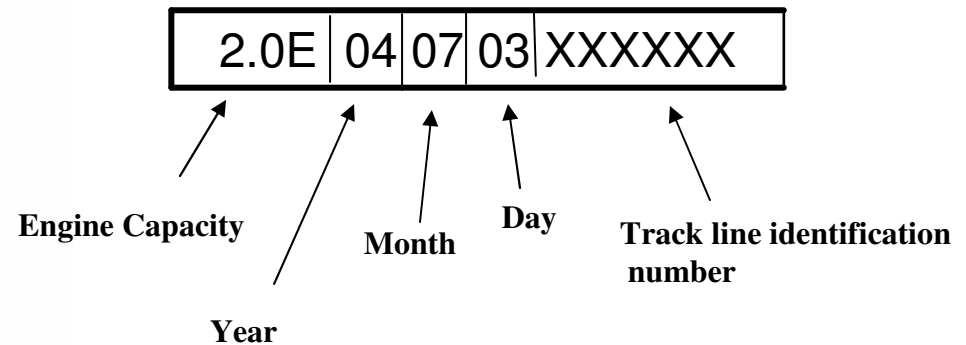
The V6 engine serial number is 9 digits long. Please note that only the first six digits are required for identification.



Diesel Engine Serial Numbers

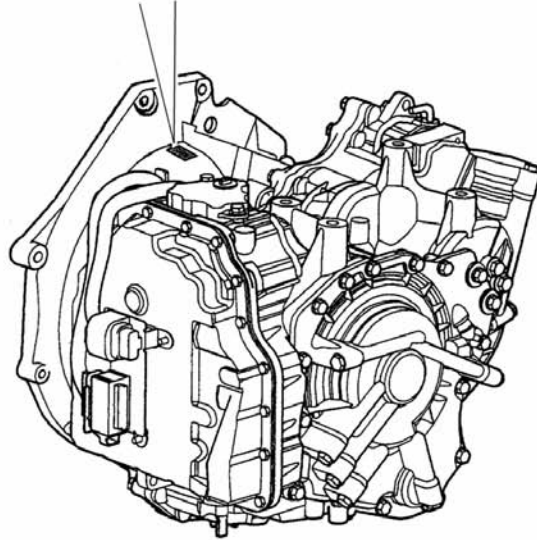


The production fit Puma diesel engine Serial number is 12 digits long and denotes engine capacity and date in reverse order

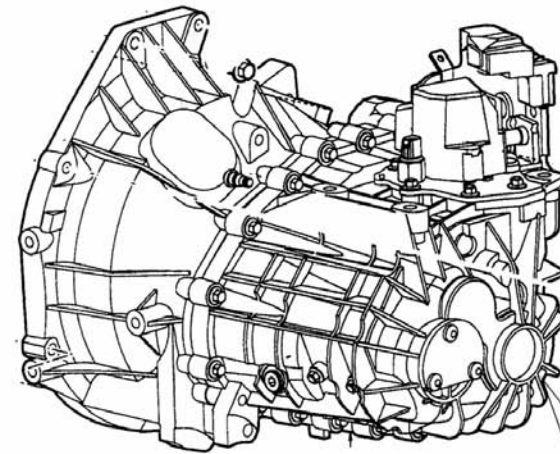


GEARBOX SERIAL NUMBERS

Gearbox ID Label



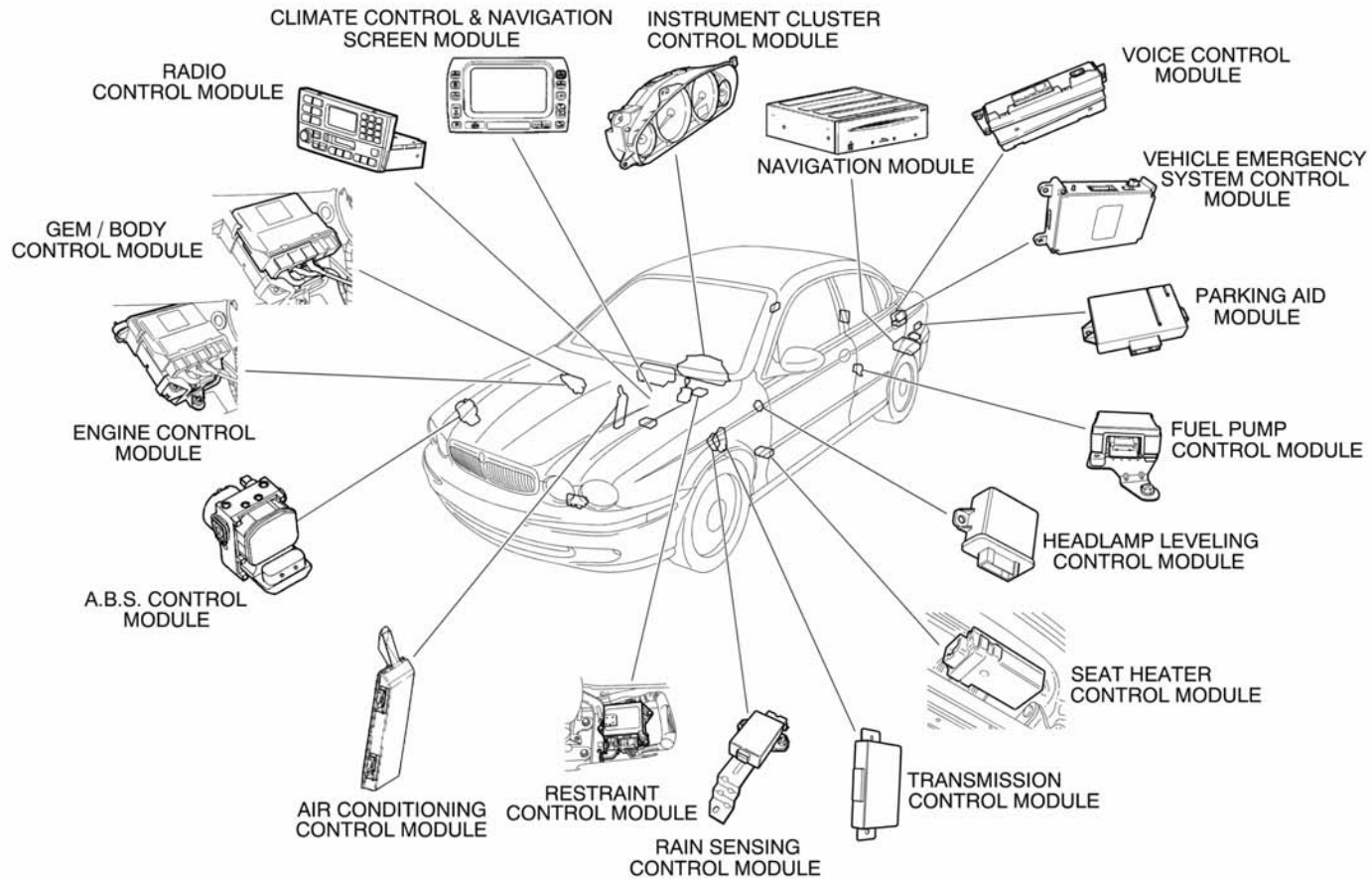
AUTO



Gearbox ID Label

MANUAL

CONTROL MODULE LOCATIONS



Body Colour Codes

Colour Name	JBC No	Suffix
Adriatic	1932	JJM
British Racing Green	1753	HGD
Carnival	1811	CGG
Coronada Blue	2020	EDF
Ebony	1807	PEC
Indigo	2003	JJX
Jaguar Racing Green	1957	HGZ
Jupiter Red	2019	JJS
Liquid silver	2029	MEE
Midnight	1959	PEF
Pacific	1905	JHM
Phoenix	1924	CGL

Colour Name	JBC No	Suffix
Platinum	1916	MDZ
Quartz	1926	LHK
Radiance	1975	CHB
Salsa	1964	CHA
Seafoam	1860	MDV
Slate	1943	LHL
Topaz	1820	SEC
Ultraviolet	1974	JJF
White Onyx	1942	NEG
Winter Gold	2002	GDM
Zircon	1927	JHV
Liquid Silver	2029	MEE

X-TYPE - INTERIOR COLOUR MATRIX TO (V) D55321

INTERIOR COLOUR / Contrast colour	FACIA UPPER	FACIA LOWER	LOWER TRIM	UPPER PILLARS	UPPER TRIM	CARPET	TRUNK
WARM CHARCOAL / Warm Charcoal	Warm Charcoal	Warm Charcoal	Warm Charcoal	Nimbus	Nimbus	Flint	Anthracite
HERITAGE TAN / Warm Charcoal	Warm Charcoal	Heritage Tan	Heritage Tan	Oatmeal	Oatmeal	Flint	Anthracite
DOVE / Granite	Granite	Dove	Dove	Nimbus	Nimbus	Granite	Anthracite
DOVE / Warm Charcoal	Warm Charcoal	Dove	Dove	Nimbus	Nimbus	Flint	Anthracite
SAND / Sable	Sable	Sand	Sand	Sand	Oatmeal	Sable	Anthracite
SAND / Warm Charcoal	Warm Charcoal	Sand	Sand	Sand	Oatmeal	Flint	Anthracite
IVORY/ Sable	Sable	Ivory	Ivory	Oatmeal	Oatmeal	Sable	Anthracite
IVORY/ Warm Charcoal	Warm Charcoal	Ivory	Ivory	Oatmeal	Oatmeal	Flint	Anthracite
RED / Warm Charcoal (1)	Warm Charcoal	Red	Red	Nimbus	Nimbus	Flint	Anthracite

NOTES:

(1) - RED/Warm Charcoal ONLY - Door casing - Warm Charcoal with Red insert panel

X-TYPE - INTERIOR COLOUR MATRIX FROM (V) D55322

INTERIOR COLOUR/Contrast Colour	Saloon and Estate						Saloon	
	SEATS	FACIA UPPER & GARNISH	LOWER TRIM	CARPETS	UPPER ENVIRONMENT	UPPER B PILLAR	PARCEL TRAY	TRUNK TRIM
WARM CHARCOAL/Warm Charcoal	Warm Charcoal	Warm Charcoal	Warm Charcoal	Flint	Nimbus	Warm Charcoal	Warm Charcoal	Anthracite
STONE/Warm Charcoal	Stone	Warm Charcoal	Stone	Flint	Nimbus	Nimbus	Stone	Anthracite
CHAMPAGNE/Mocha	Champagne	Mocha	Champagne	Mocha	Champagne	Champagne	Champagne	Anthracite
CHAMPAGNE/Warm Charcoal	Champagne	Warm Charcoal	Champagne	Flint	Champagne	Champagne	Champagne	Anthracite
IVORY/Mocha (Saloon only)	Ivory	Mocha	Ivory	Mocha	Champagne	Champagne	Champagne	Anthracite
IVORY/Warm Charcoal (Saloon only)	Ivory	Warm Charcoal	Ivory	Flint	Champagne	Champagne	Champagne	Anthracite

