

JAGUAR



Parts Catalogue

Jaguar XF

Whilst every effort is made to ensure the accuracy of the particulars contained in this catalogue the Manufacturing companies will not, in any circumstances, be held liable for any inaccuracies or the consequences thereof.

© Jaguar Cars Ltd 2007

All rights reserved. No part of this publication may be reproduced, stored in a retrieval system or transmitted in any form, whether by electronic, mechanical, photocopying, recording or other means without the permission of Jaguar Cars limited.

Replacement parts that are not of genuine Jaguar supply cannot be relied upon to be of correct specification, material, and workmanship and therefore Jaguar cannot be expected to extend warranty to vehicles which have been fitted with parts not supplied by them.

Jaguar reserves the right to make changes or improvements in the construction or specification of their products at any time.

IN ORDER TO ENSURE PROMPT AND CORRECT EXECUTION OF YOUR ORDERS, IT IS ESSENTIAL TO QUOTE:

1. The Part Number and description (prefix and suffix letters to part numbers must always be quoted).
2. Always state the colour of carpets, painted items, trim items etc., using the colour code from the Vehicle Identification Number (VIN) plate and the colour combination key to identify the colour name.
3. The quantity required, bearing in mind that the quantities shown are those used in the application actually illustrated. Sometimes only minimum package quantities are available. These packs may well contain more parts than are required for a single job; for details of packaged quantities, see the Service Parts List.

THE LISTING OR ILLUSTRATING OF AN ITEM DOES NOT GUARANTEE ITS AVAILABILITY

Geographical Groupings

Where appropriate, applications for individual markets are displayed on the parts list section of the EPC window if there is more than one choice. If there is only one choice it is displayed in the “Attributes/Change Points” text box.

For convenience markets are sometimes categorised in to geographical groups.

Definitions of the geographical groups used in this catalogue are as follows:

Rough Road Markets	Argentina, Australia, Bahrain, Brazil, Chile, Dominican Republic, Dubai, Eqypt, Estonia, Israel, Jordan, Kuwait, Lebanon, Malaysia, Mexico, Morocco, New Zealand, Oman, Panama, Phillipines, Russia, Saudi, Arabia, South Africa, Sri Lanka, Syria, Thailand
--------------------	--

Geographical Groupings

- European Markets UK, Ireland, Malta, Cyprus, Germany, Poland, Austria, Italy, France, Spain, Portugal, Belgium, Luxembourg, Netherlands, Switzerland, Sweden, Denmark, Finland, Norway, Latvia, Lithuania, Estonia, Russia, Czech Republic, Hungary, Slovenia, Croatia, Slovakia, Greece, Bulgaria, Romania, Serbia, Turkey, Israel
- Hot Markets Taiwan, Singapore, Saudi Arabia, Indonesia, Philippines, Panama, Malaysia, Mexico, Egypt, Dominican Republic, Lebanon, Kuwait, Jordan, Hong Kong, Bahrain, Dubai, Turkey, Argentina, Oman, Abu Dhabi, Brazil, Brunei, Chile, Cyprus, Greece, Guatemala, Israel, Korea, Malta, Morocco, Qatar, Syria, Tenerife, Uruguay, Vietnam

Standard Abbreviations

Standard abbreviations are used in this parts list as shown below:

(E) Engine Number
(G) Gearbox Number
(V) Vehicle Identification Number (VIN)
c/w Complete With
cm Centimetre
dia Diameter
DVD Digital Versatile Disc
EGR Exhaust Gas Recirculation
EPB Electronic Park Brake
g Gram
GDO Garage Door Opener
HC High Compression
HID High Intensity Discharge
i/d Inside Diameter
kg Kilogram
Kph Kilometres per hour
LC Low compression
LH Left Hand
SDARS Satellite Digital Audio Receiving System

LHD Left Hand drive
LWB Long Wheel Base
m Metres
MAP Manifold Air Pressure
MHz Megahertz
mm Millimetres
MPH Miles Per Hour
NLA No Longer Available
NSP Non Serviced Part
NSS Not Supplied Separately
o/d outside Diameter
PCB Printed Circuit Board
RH Right Hand
RHD Right Hand Drive
RTV Room Temperature Vulcanising
V Volts
VDP Vanden Plas
VCS Vehicle Information Communication System
W Watt

DVD Regions

Region 1

Canada, U.S. and its Territories, Puerto Rico, American Samoa, U.S. Virgin Islands, Guam, Palau, Micronesia, Mariana Islands, Marshall Islands

Region 2

Albania, Andorra, Austria, Bahrain, Belgium, Bosnia and Herzegovina, Bulgaria, Croatia, Czech Republic, Denmark, Egypt, Finland, France, Germany, Gibraltar, Greece, Greenland, Hungary, Iceland, Iran, Iraq, Ireland, Israel, Italy, Japan, Jordan, Kuwait, Lebanon, Liechtenstein, Luxembourg, Macedonia, Malta, Moldova, Monaco, Netherlands, Norway, Oman, Poland, Portugal, Qatar, Romania, San Marino, Saudi Arabia, Slovakia, Slovenia, South Africa, Spain, Sweden, Switzerland, Syria, United Arab Emirates, United Kingdom, Vatican City, Yemen, Yugoslavia.

Region 3

Cambodia, Hong Kong, Indonesia, Laos, Malaysia, Myanmar, Philippines, South Korea, Taiwan, Thailand, Vietnam

Region 4

Antigua and Barbuda, Argentina, Aruba, Australia, Bahamas, Barbados, Belize, Bolivia, Brazil, Chile, Colombia, Costa Rica, Cuba, Dominica, Dominican Republic, Ecuador, El Salvador, Falkland Islands, French Guiana, Grenada, Guatemala, Guyana, Haiti, Honduras, Jamaica, Mexico, New Guinea, New Zealand, Nicaragua, Panama, Paraguay, Peru, Suriname, Trinidad and Tobago, Uruguay, Venezuela

Region 5

Afghanistan, Algeria, Angola, Bangladesh, Belarus, Benin, Botswana, Burkina Faso, Burundi, Cameroon, Cape Verde, Central African Republic, Chad, Comoros, Congo, Djibouti, Equatorial Guinea, Eritrea, Estonia, Ethiopia, Gabon, Gambia, Georgia, Ghana, Guinea, Guinea-Bissau, India, Ivory Coast, Kazakhstan, Kenya, Latvia, Lesotho, Liberia, Libya, Lithuania, Madagascar, Malawi, Mali, Mauritania, Mauritius, Mongolia, Morocco, Mozambique, Namibia, Niger, Nigeria, North Korea, Pakistan, Russia, Rwanda, Sao Tome and Principe, Senegal, Seychelles, Sierra Leone, Somalia, Sri Lanka, St. Helena, Sudan, Tanzania, Togo, Tunisia, Turkmenistan, Uganda, Ukraine, Uzbekistan, Zambia, Zimbabwe

Region 6

China

LOCKING FREQUENCY REGIONS

- **Region 1 (315mhz Low)**

Japan, South Korea

- **Region 2 (315mhz High)**

Argentina, Aruba, Bahamas, Barbados, Bolivia, Brazil, Canada, Cayman, Chile, Colombia, Costa Rica, Cuba, Dominica, Ecuador, Egypt, Ethiopia, Ghana, Grenada, Guadeloupe, Guatemala, Haiti, Honduras, Hong Kong, Indonesia, Jamaica, Japan, Macau, Malaysia, Mexico, Nicaragua, Panama, Papua New Guinea, Paraguay, Peru, Philippines, Salvador, Singapore, South Korea, St. Kitts/Nevis, St. Lucia, Taiwan, Thailand, Trinidad & Tobago, Uganda, Uruguay, USA, Venezuela, Vietnam, Zimbabwe

- **Region 3 (434mhz)**

Albania, Algeria, Andorra, Armenia, Australia, Austria, Azerbaijan, Bahrain, Belgium, Bosnia Herzegovina, Brunei, Bulgaria, China, Croatia, Cyprus, Czech Republic, Denmark, Estonia, Finland, France, Germany, Gibraltar, Greece, Hungary, Iceland, Iran, Ireland, Israel, Italy, Ivroy Coast, Jordan, Kazakhstan, Kenya, Kuwait, Kyrgyzstan, Latvia, Lebanon, Lithuania, Macedonia, Madagascar, Malta, Martinique, Morocco, Mozambique, Namibia, Netherlands, New Caledonia, New Zealand, Nigeria, Norway, Oman, Poland, Portugal, Qatar, Romania, Russia/Belarus, Saudi Arabia, Serbia-Montenegro, Slovakia, Slovenia, South Africa, Spain, St. Vincent & Grenadines, Sweden, Swaziland, Syria, Tahiti, Tunisia, Turkey, Turkmenistan, UK, Ukraine, United Arab Emirates, Uzbekistan

Vehicle Identification Numbering System (Global)

The Vehicle Identification Number comprises a series of letters and numbers representing in code such information as Marque, Model Range, Class Engine Type etc. The codes for the Jaguar XF are as follows:

PREFIX 1 to 3

World manufacturing Identifier

SAJ = Jaguar

PREFIX 4

Market & Airbag Spec

A = Rest of World

B = Canada

D = USA

E = USA (1)

F =Canada (1)

J = USA (2)

K = Japan (1)

P = Mexico (1)

R = Mexico (2)

W = USA (3)

X = Canada (3)

Y = Mexico (3)

PREFIX 5

Transmission & Steering

A = Automatic LHS

C = Automatic RHS

PREFIX 6 & 7

Body Code

05 = 4-door Luxury

06 = 4-door Premium Luxury

07 = 4-door SV8

08 = 4-door 'R'

PREFIX 8

Emission

A = ECS 1

B = ECS 2

C = ECS 3

D = ECS 4

F = ECS 6

G = ECS 7

K = ECS 10

N = ECS 13

P = ECS 14

R = ECS 15

S = ECS 16

T = ECS 17

G = ECS 7

K = ECS 10

N = ECS 13

P = ECS 14

R = ECS 15

S = ECS 16

T = ECS 17

U = ECS 18

V = ECS 19

W = ECS 20

X = ECS 21

Y = ECS 22

1 = ECS 23

2 = ECS 24

3 = ECS 25

4 = ECS 26

PREFIX 9

Check Digit ?

PREFIX 10

Model or Year Change

9 = 2009 Model Year

A = 2010 Model Year

PREFIX 11

Assembly Plant

F = Castle Bromwich XF 3.0V6

H = Castle Bromwich XF 4.2V8

1 = Castle Bromwich XF 4.2V8 S/C

7 = Castle Bromwich XF 2.7V6 Diesel

K = Castle Bromwich XF 3.0V6 Diesel 500Nm

N = Castle Bromwich XF 3.0V6 Diesel 600Nm

M = Castle Bromwich XF 5.0V8 S/C 625Nm

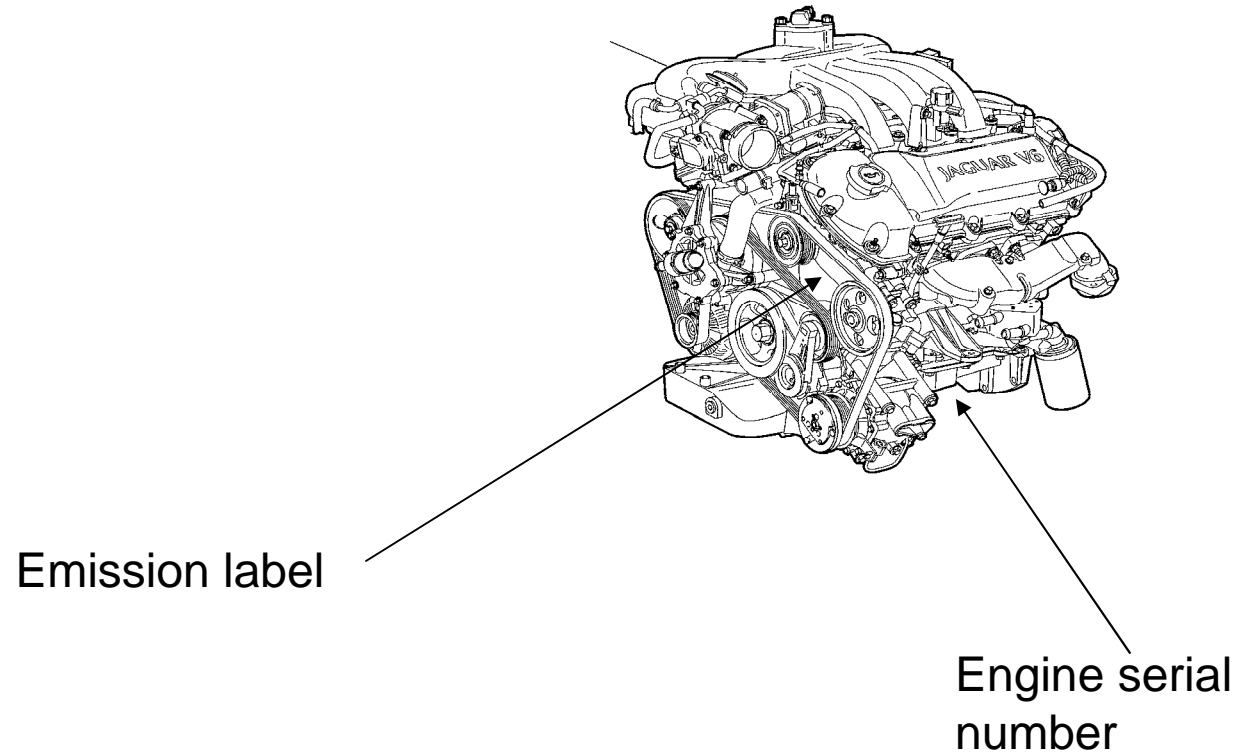
N = Castle Bromwich XF 5.0V8 S/C 575Nm

Model Year VIN Introductions

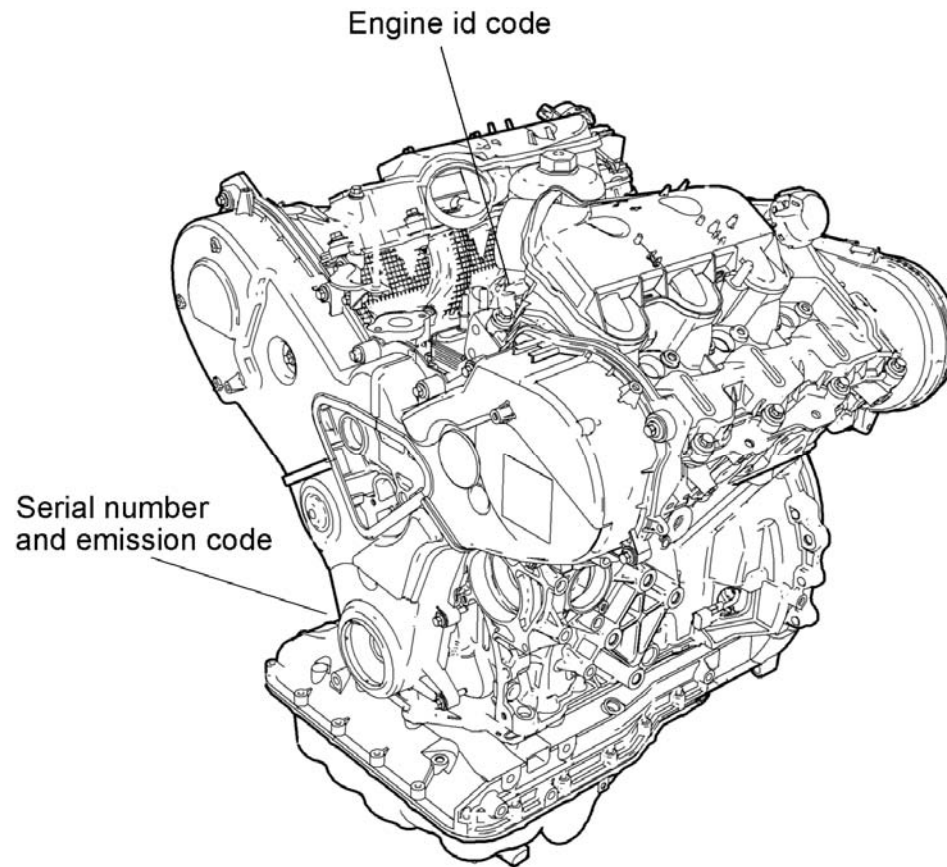
- 2009 MY From (V) R00001
- 2010 MY From (V) R47154

V6 Petrol Engine Serial Numbers

The V6 engine serial number is 9 digits long. Please note that only the first six digits are required for identification.



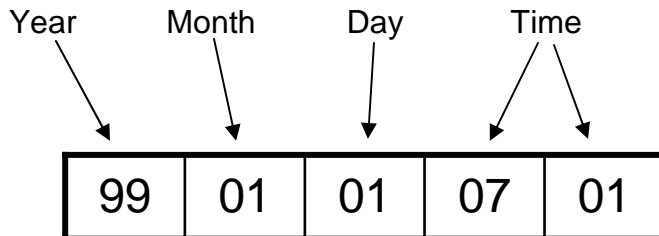
V6 Diesel Engine Serial Numbers



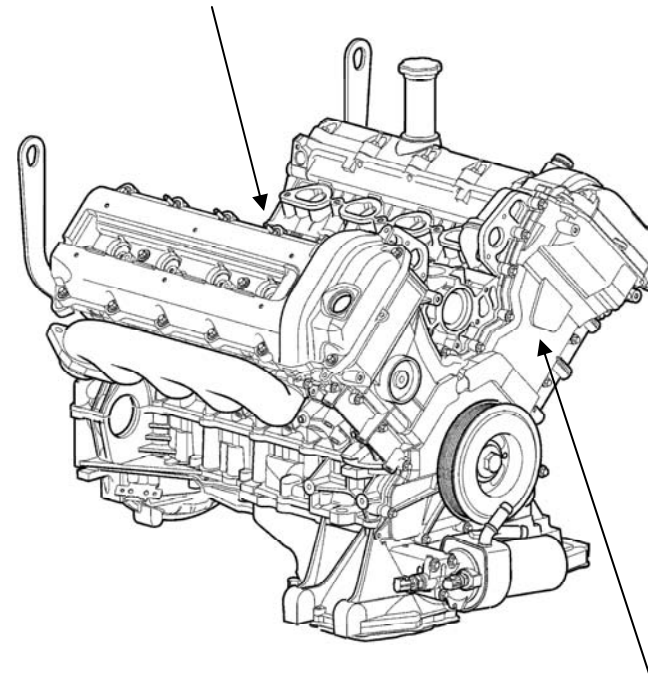
V8 Petrol Engine Serial Numbers

The production fit V8 engine serial number is 10 digits long and denotes production date and time.

Typical serial number example:



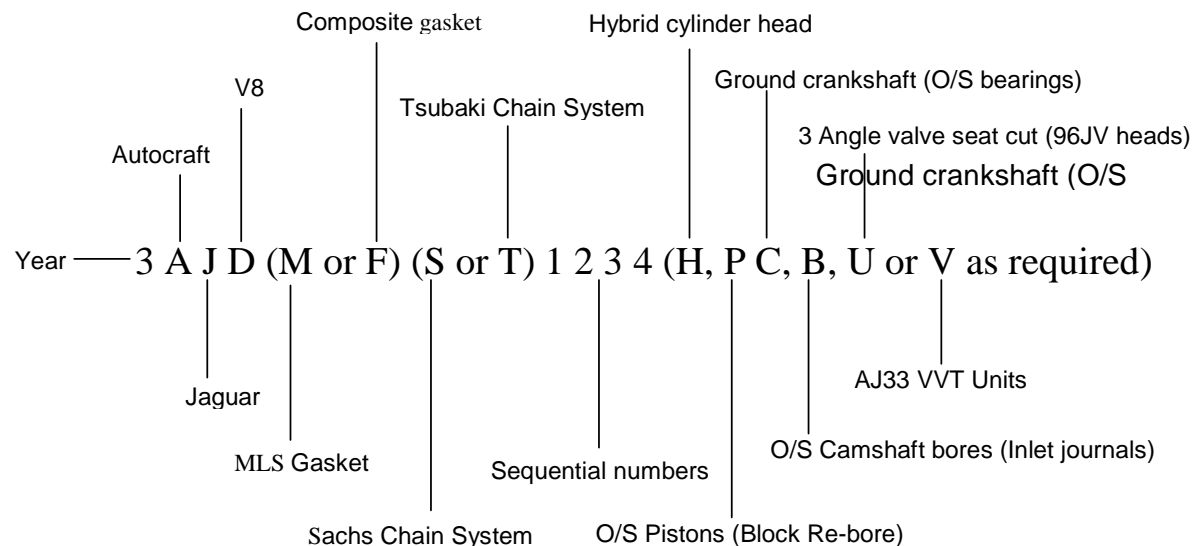
Serial number



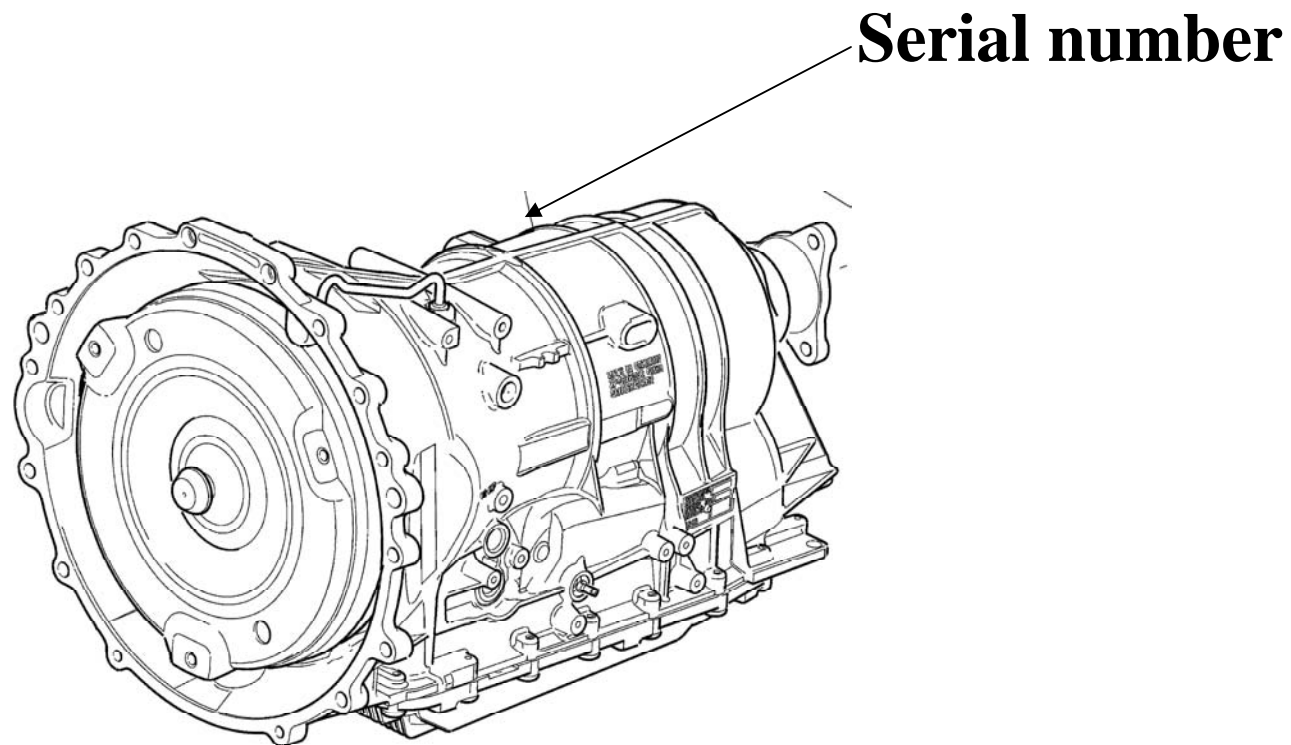
Emission label

V8 Re-manufactured Engine Serial Numbers

Head gaskets and chain systems are always fitted, and therefore the ID letters will always be part of the stamping. Care must be taken with the H, P, C, B, U and V options as these may not always be used. In some cases none of the letters will be required.



Gearbox Serial Number



Body Colour Codes

Colour Name	JBC No	Suffix
Azure Blue	2038	JKE
Botanical Green	2044	HHN
Ebony Black	1807	PEC
Emerald Fire	2074	HHP
Frost Blue	2053	JJZ
Indigo	2003	JJX
Liquid Silver	2029	MEE
Lunar Grey	2028	LJZ
Midnight	1959	PEF

Colour Name	JBC No	Suffix
Pearl Grey	2030	LMN
Porcelain White	2023	NEL
Radiance Red	1975	CHB
Vapour Grey	2041	LMO
Winter Gold	2002	GDM

TRIM CODES

INTERIOR TRIM

DOVE	LHJ
CHAMPAGNE	SEL
WARM CHARCOAL	LEG
IVORY	NED
SPICE	AMV
OYSTER	AMT
CANVAS	AMN
WARM CHARCOAL/SPICE	AMZ
TRUFFLE/CHAMPAGNE	AMX
WARM CHARCOAL/DOVE	LHN
OYSTER/IVORY	AMY
TRUFFLE	AMS
FLINT GREY	LFN

CARPETS

FLINT GREY	LFN
CHAMPAGNE	SEL
OYSTER	AMT
FLINT GREY/SPICE	LNH

FACIA

TRUFFLE	AMS
OYSTER	AMT
CHARCOAL/SPICE	AMZ

SEATBELTS

CHAMPAGNE	SEL
OYSTER	AMT
WARM CHARCOAL	LEG

HEADLINING

DOVE	LHJ
CANVAS	AMN

MODEL		SEATS			FACIA			CONSOLE		DOOR CASING				OTHER TRIM										Steering wheel	Console Top Finisher			Door Insert Finisher					
			Bond / Leather / Bond grain / perf	Leather / Soft Grain / Leather / Soft Grain / Perf. / Lthr.	Upper	Lower	Demist Panel	Armrest	Top (see finisher)	Door Lower Moulding	Armrest	Inserts	Top Roll	Seatbelts	A Post Upper	A Post Lower	BC Post Lower	BC Post Upper	DE Post Upper	DE Bolster	Headlining	Parcel Shelf + Rear Sunblind	Carpets*		Satin American Walnut	Burr Walnut	Rich Oak	Satin American Walnut	Burr Walnut	Rich Oak			
LUXURY	Dove / W. Charcoal Champagne / Truffle W. Charcoal / W. Charcoal	Dove Champagne W. Charcoal	x x x		W. Charcoal Truffle W. Charcoal	Dove Champagne W. Charcoal	W. Charcoal Truffle W. Charcoal	Dove Champagne W. Charcoal	NA NA NA	Dove Champagne W. Charcoal	Dove Champagne W. Charcoal	NA NA NA	W. Charcoal Truffle W. Charcoal	W. Charcoal Champagne W. Charcoal	Dove Canvas Dove	W. Charcoal Champagne W. Charcoal	W. Charcoal Champagne W. Charcoal	Dove Canvas Dove	Dove Canvas W. Charcoal	Dove Canvas Dove	Dove Champagne W. Charcoal	Dove Canvas Dove	W. Charcoal W. Charcoal W. Charcoal	Flint Champagne Flint	W. Charcoal Truffle W. Charcoal	x x x	o o o		x x x	o o o		x x x	o o o
PREMIUM LUXURY	Ivory / Oyster Dove / W. Charcoal Champagne / Truffle W. Charcoal / W. Charcoal	Ivory Dove Champagne W. Charcoal	x x x x		Oyster W. Charcoal Truffle W. Charcoal	Ivory Dove Champagne W. Charcoal	W. Charcoal Truffle W. Charcoal	Ivory Dove Champagne W. Charcoal	NA NA NA	Ivory Dove Champagne W. Charcoal	Ivory Dove Champagne W. Charcoal	NA NA NA	W. Charcoal Truffle W. Charcoal	W. Charcoal Champagne W. Charcoal	Canvas Dove Canvas	Oyster W. Charcoal Champagne W. Charcoal	Oyster W. Charcoal Champagne W. Charcoal	Canvas Dove Canvas	Canvas Dove Canvas	Ivory Dove Champagne W. Charcoal	Canvas Dove Canvas	W. Charcoal Dove W. Charcoal	Rockery Flint Champagne Flint	W. Charcoal Oyster W. Charcoal Champagne W. Charcoal	x x x x	o o o o		x x x x	o o o o		x x x x	o o o o	
SV8	Ivory / Oyster Champagne / Truffle W. Charcoal / W. Charcoal Spice / W. Charcoal	Ivory Champagne W. Charcoal Spice	x x x x		Oyster Truffle W. Charcoal W. Charcoal	Ivory Champagne W. Charcoal W. Charcoal	Oyster Truffle W. Charcoal W. Charcoal	Ivory Champagne W. Charcoal W. Charcoal	NA NA NA	Ivory Champagne W. Charcoal W. Charcoal	Ivory Champagne W. Charcoal W. Charcoal	NA NA NA	Oyster Truffle W. Charcoal W. Charcoal	Oyster Champagne W. Charcoal W. Charcoal	Canvas Dove Canvas	Oyster Champagne W. Charcoal W. Charcoal	Oyster Champagne W. Charcoal W. Charcoal	Canvas Dove Canvas	Canvas Dove Canvas	Ivory Champagne W. Charcoal Spice	Canvas Dove Canvas	W. Charcoal Dove W. Charcoal	Rockery Champagne Flint Flint	W. Charcoal Oyster W. Charcoal W. Charcoal	o o o o	x x x x		x x x x	o o o o		x x x x	o o o o	

