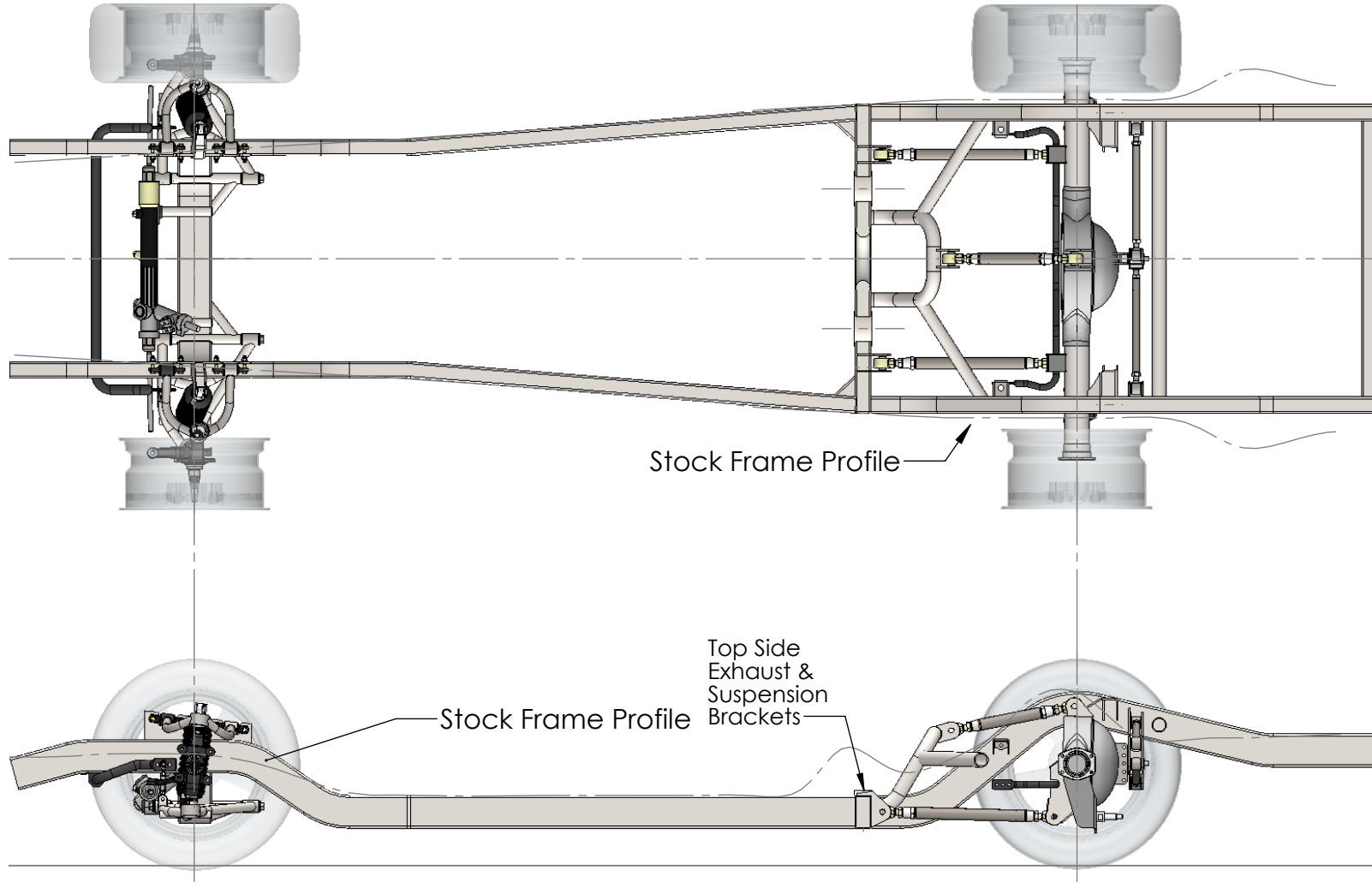


245/45R17 on 17x8" w/5 1/2" B.S.

275/40R17 on 17x9" w/6 1/2" B.S.



OK to Build as Shown

X

Date:

Note: Modifying welded joints compromises structural integrity, do not grind smooth!

Rev.		DRAWN BY:	DM	2/27/15
1	Fixed Rear Wheel Width, Topside Exh. & Brack.		DM	3/5/15
2	Adjust Front/Rear Wheel, Narrow Rear Bulge		DM	3/6/15

MATERIAL
2x4x0.120 HREW



Copyright 2013

PROPRIETARY AND CONFIDENTIAL

THE INFORMATION CONTAINED IN THIS DRAWING IS THE SOLE PROPERTY OF ART MORRISON ENTERPRISES. ANY REPRODUCTION IN PART OR AS A WHOLE WITHOUT THE WRITTEN PERMISSION OF ART MORRISON ENTERPRISES IS PROHIBITED.

Art Morrison Ent.

2x4 Profile Chassis
1960 Jaguar Mark II
Clyde Gantz (CB)

SIZE	DWG. NO.	REV
A	462271	2

SCALE: 1:20

SHEET 1 OF 2

5

4

3

2

1