

FIG.6.43. EXPLODED VIEW OF THE SELECTOR LEVER ASSEMBLY – TYPE DG UNIT

- | | | | |
|----------------------------|---|---|--------------------------------|
| 1 Upper switch cover | 14 Circlip | 26 Plain washer | 35 Distance tube |
| 2 Lower switch cover | 15 Shim | 27 Grommet | 36 Gear selector cable |
| 3 Ring dowel | 16 Selector lever gate | 28 Starter/reverse light inhibitor switch | 37 Ball joint |
| 4 Operating shaft assembly | 17 Lever assembly | 29 Clip | 38 Ball joint |
| 5 Setscrew | 18 Rubber bush | 30 Bell crank connecting link | 39 Steel bush |
| 6 Nut | 19 Fulcrum pin | 31 Clevis pin | 40 Rubber grommet |
| 7 Plain washer | 20 Screw | 32 Bell crank control cable lever | 41 Clip |
| 8 Felt washer | 21 Indicator arm bracket | 33 Support bracket for bell crank lever | 42 Abutment clamp |
| 9 Housing | 22 Connecting link | 34 Securing plate | 43 Dash panel abutment bracket |
| 10 Grommet | 23 Gear indicator arm | | |
| 11 Return spring | 24 Grommet | | |
| 12 Distance tube | 25 Connecting link for starter/reverse light inhibitor switch | | |
| 13 Washer | | | |

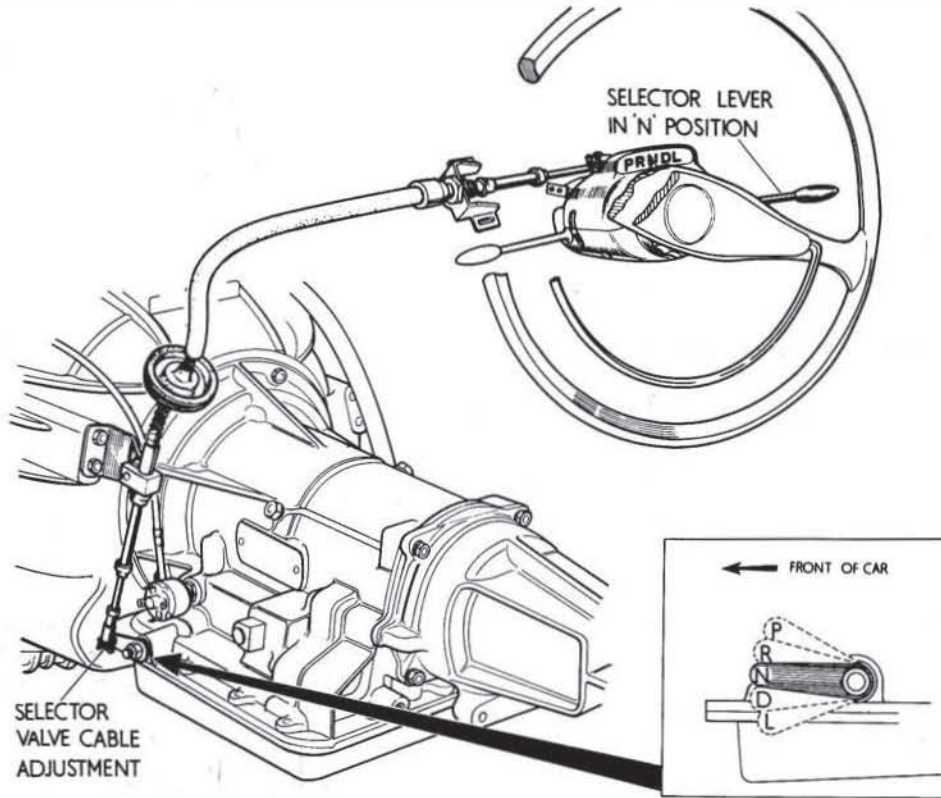


Fig.6.44. The selector lever assembly - type 35 unit

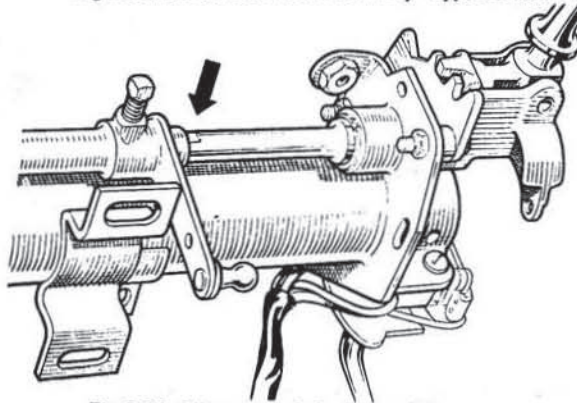


Fig.6.45. Alignment of the flat and the securing screw



Fig.6.46. Adjusting the front brake band

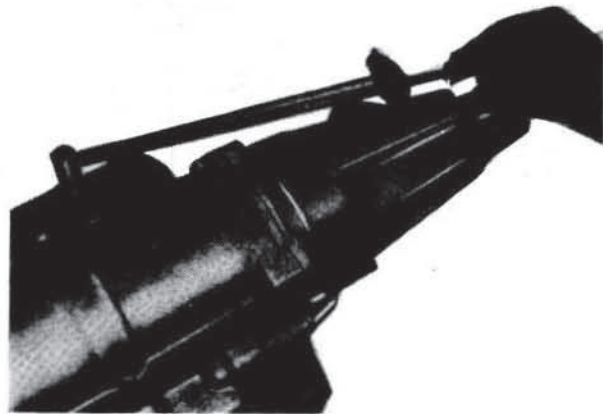


Fig.6.47. Adjusting the rear brake band