

Martin Robey
SALES LTD
JAGUAR & JENSEN
SPARES SERVICE & RESTORATION

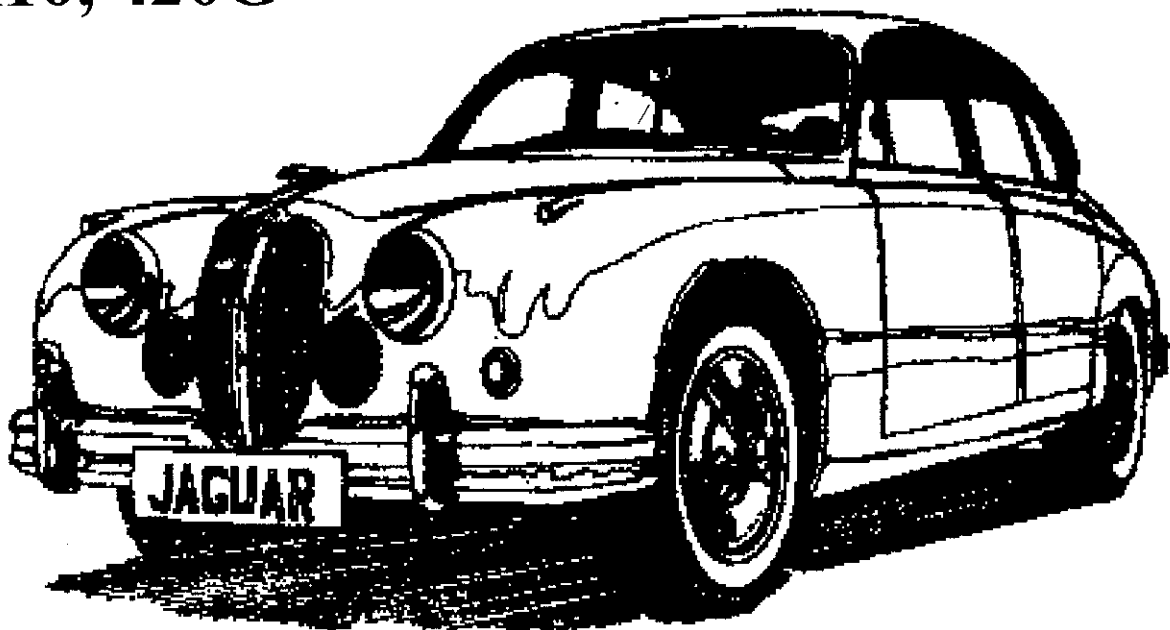
POOL ROAD,
CAMP HILL INDUSTRIAL ESTATE,
NUNEATON, WARWICKSHIRE
CV10 9AE ENGLAND

TELEPHONE +44(0)2476 - 386903
FAX +44(0)2476 - 345302
E-MAIL info@martinrobey.co.uk
INTERNET www.martinrobey.co.uk/info

JAGUAR SALOONS

Mk.II, S TYPE, 420,
MK10, 420G

Pre 1970



OPENING HOURS:

MONDAY - FRIDAY 9.00 - 12.30 & 1.00 - 5.30

SATURDAY 9.00 - 12.30

ALL PRICES SUBJECT TO V.A.T AND ALTERATION WITHOUT PRIOR NOTICE

© COPYRIGHT RESERVED. MARTIN ROBESY SALES LTD 1997 NO PART OR PARTS OF THIS DOCUMENT
MAY BE REPRODUCED WITHOUT WRITTEN PERMISSION FROM THE PUBLISHER.

MARTIN ROBESY SALES LTD.

CLASSIC FINISHING PRODUCTS



Part Number	Product	£ RRP	(inc. VAT)
JHM1029	LEATHER CLEANER	£4.95	(£5.82)
JHM1030	VINYL CLEANER	£4.95	(£5.82)
JHM1031	SHEEN ON SHINE POLISH	£3.95	(£4.64)
JHM1032	WASH & WAX	£3.45	(£4.05)
JHM1033	CLEAR VINYL & RUBBER WAX	£3.95	(£4.64)
JHM1034	BLACK BUMPER & TYRE WAX	£3.95	(£4.64)
JHM1035	LEATHERCARE OIL	£3.25	(£3.82)
JHM1041	GLASS CLEANER	£1.95	(£2.29)
JHM1042	CLEAN RINSE SHAMPOO	£2.50	(£2.94)



JAGUAR • DAIMLER

Martin Robey

**Jaguar Parts Catalogue
With Service Manual,
On a CD-ROM**

All @ £11.50 + VAT

Available for the following Models:

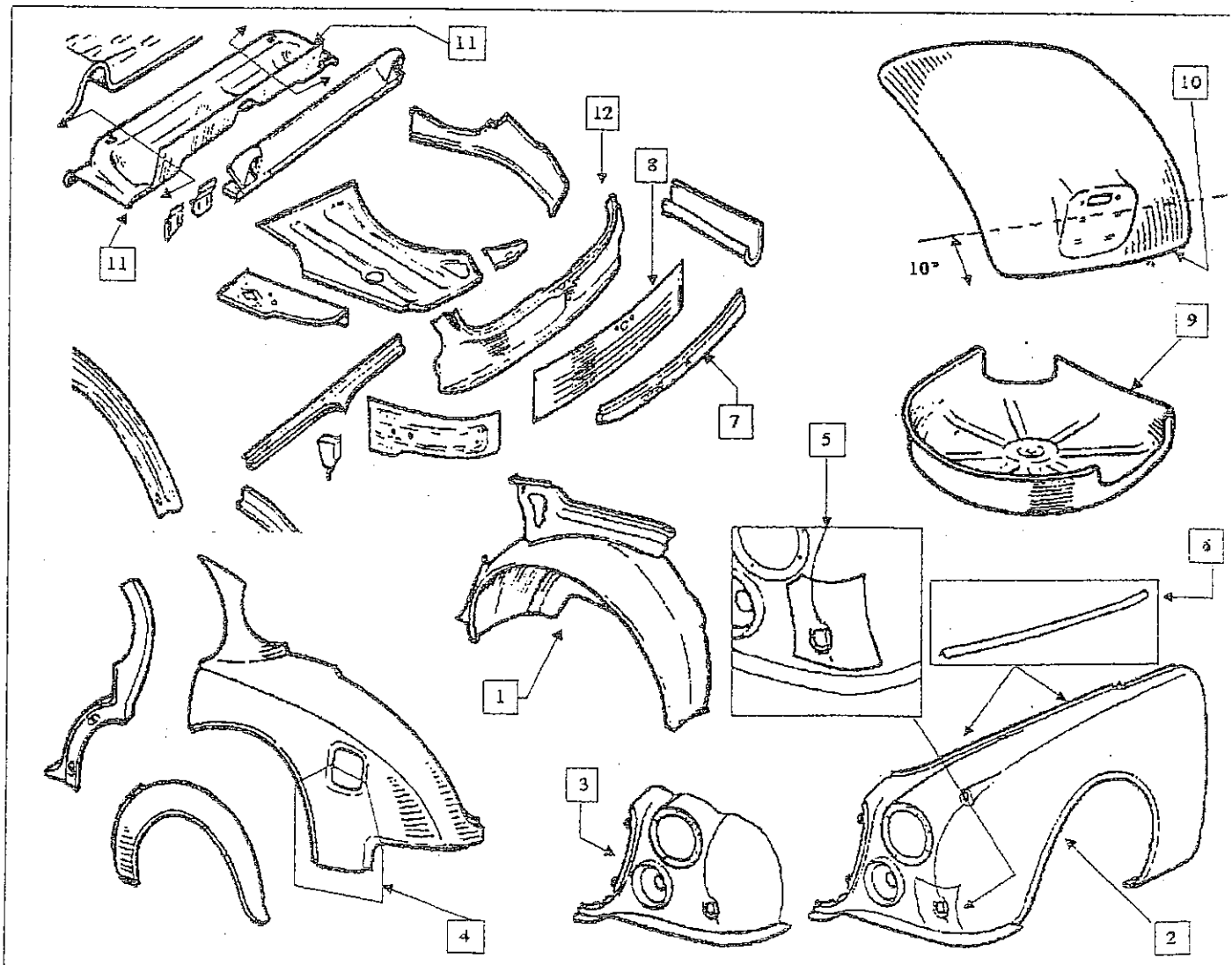
Part No.	Description/Application	CD Content
JHM 1161	Mark IV to Mark IX (1945 to 1961)	Parts Book & Workshop Manual
JHM 1162	XK 120, XK 140, XK150, 150S (1948 to 1961)	Parts Book & Workshop Manual
JHM 1117	MK1 MK2 240 340 380 (1961 to 1970)	Parts Book & Workshop Manual
JHM1118	Daimler V8, 250 Saloon & SP250 (1959 to 1969)	Parts Book & Workshop Manual
JHM1116	Mark X, 420G, S-Type and 420 (1961 to 1970)	Parts Book & Workshop Manual
JHM1132	Daimler Limousine & DS 420	Parts Book & Workshop Manual
JHM1119	E Type Series 1 & 2 (1961 to 1970)	Parts Book & Workshop Manual
JHM1151	E Type Series 3 (V12) (1971 to 1974)	Parts Book & Workshop Manual
JHM1120	XJ6 series 1 & 2 (1968 to 1979)	Parts Book & Workshop Manual
JHM1141	XJ6 Series 3 (1979 to 1987)	Parts Book & Workshop Manual
JHM1142	XJ12 Series 1 & 2 (1968 to 1979)	Parts Book & Workshop Manual
JHM1122	XJ12 Series 3 (1979 to 1992)	Parts Book & Workshop Manual
JHM1146	XJ-S 5.3 V12 1975 to 1992MY	Parts Fiche & Workshop Manual
JHM1131	XJ-S 3.6 Litre 1983 to 1988MY	Parts Fiche & Workshop Manual
JHM1143	XJ-S 4.0 Litre 1991 to 1996MY	Parts Fiche & Workshop Manual
JHM1176	XJ-S 6.0 Litre 1992 to 1996MY	Parts & Service Manual
JHM1152	XJRS 6.0 Litre Models	Parts Fiche & Workshop Manual
JHM1123	XJ-S Supplementary & Technical Information	Incl. OBD Diagnostics, Electrical
JHM1173	XJ 40 2.9 Litre 1986 to 1990MY	Parts Fiche & Workshop Manual
JHM1172	XJ 40 3.6 Litre 1986 to 1989MY	Parts Fiche & Workshop Manual
JHM1153	XJ40 4.0 Litre 1990 to 1994MY	Parts Fiche & Workshop Manual
JHM1171	XJ40 3.2 Litre 1991 to 1994MY	Parts Fiche & Workshop Manual
JHM1130	XJ40 Supplementary & Technical Info 1087 on	All variants - Miscellaneous info
JHM1177	XJ12 (XJ80/81) 6.0 Litre 1993.25 - 1994	Parts & Service Manuals
JHM1178	XJ6 (X300) 4.0 1995 to 1997	Parts & Service Manuals
JHM1179	XJ6 (X300) 3.2 1995 to 1997	Parts & Service Manuals
JHM1180	XJ6 (X300) 4.0 Supercharged 1995 to 1997	Parts & Service Manuals
JHM1181	XJ12 (X300) 6.0 Litre 1995 to 1997	Parts & Service Manuals
JHM1154	X300 Supplementary & Technical Information	

Operating System Windows 95 or later
Runs on Adobe (included on discs) with PDF Images

MK1, MK2, 240, 340 & V8 DAIMLER

UNDERFRAME & OUTER BODY PANELS

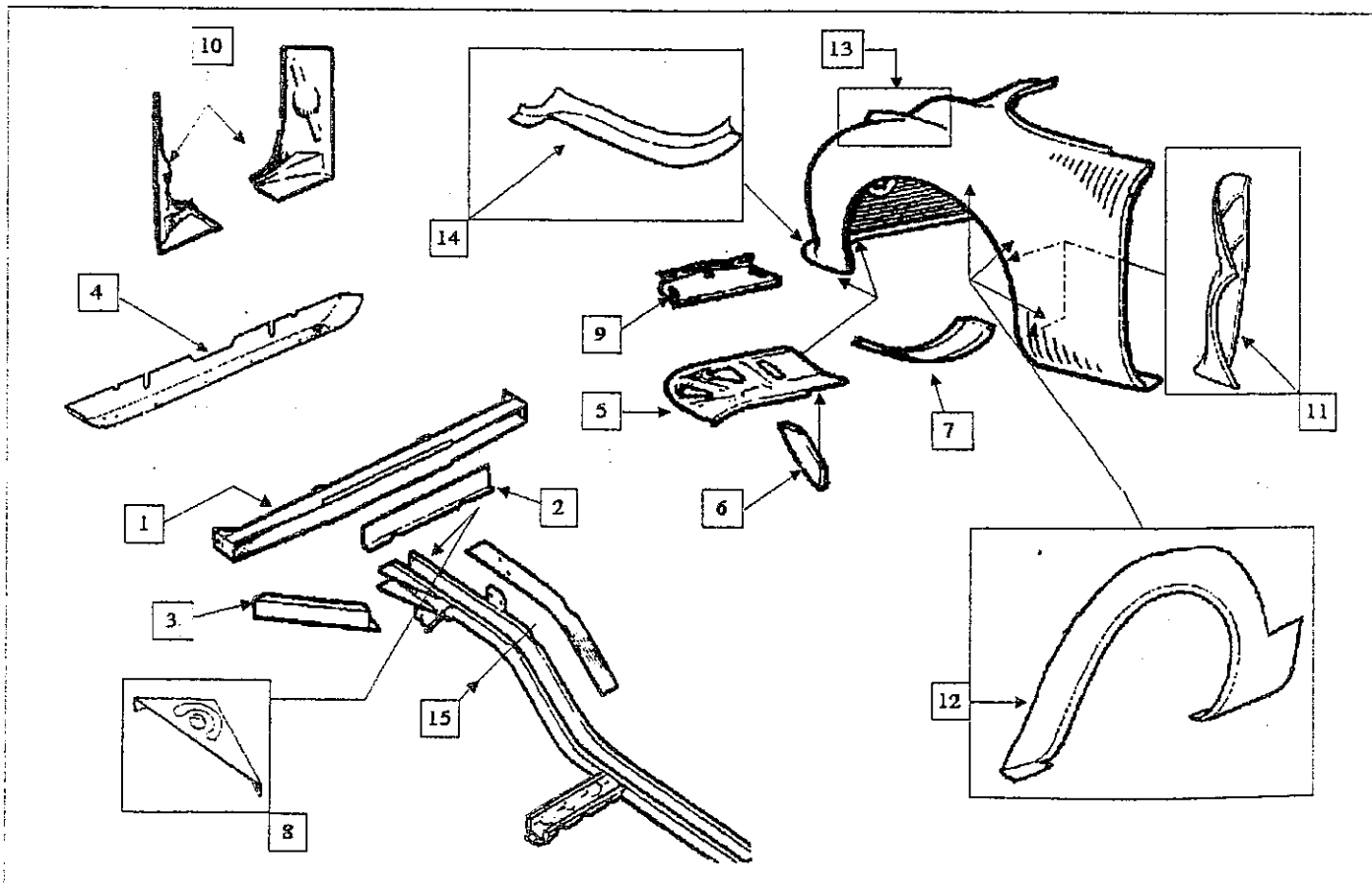
OUR REF. NO.	JAGUAR NO.	DESCRIPTION
1	MRK30LH/RH 8114/3	INNER REAR WHEELARCH
2	MRK31LH/RH 8008A/7A	FULL FRONT WINGS
3	MRK32LH/RH R.P.	FRONT WING NOSE SECTION
4	MRK33LH/RH R.P.	REAR WING LOWER REPAIR
5	MRK34LH/RH 8008/7 R.P.	INDICATOR REPAIR SECTION (FRONT WING)
6	MRK36 6665	CAPPING (TOP OF FRONT WING TO INNER WING)
7	MRK37 6038	REAR BODY PANEL LOWER (BELOW BOOT LID)
8	MRK38 4127	REINFORCING PANEL FOR LOWER REAR FLOOR
9	MRK39 4104	SPARE WHEEL WELL
10	MRK45 R.P.	BOOT SKIN BOTTOM REPAIR (10" HIGH)
11	MRK46LH/RH 8116 R.P.	REAR SPAT PAN REPAIR (ABOVE SPRING HANGER)
12	MRK47 6734	PANEL ASSY R/O SPARE WHEEL WELL



MK1, MK2, 240, 340 & DAIMLER V8

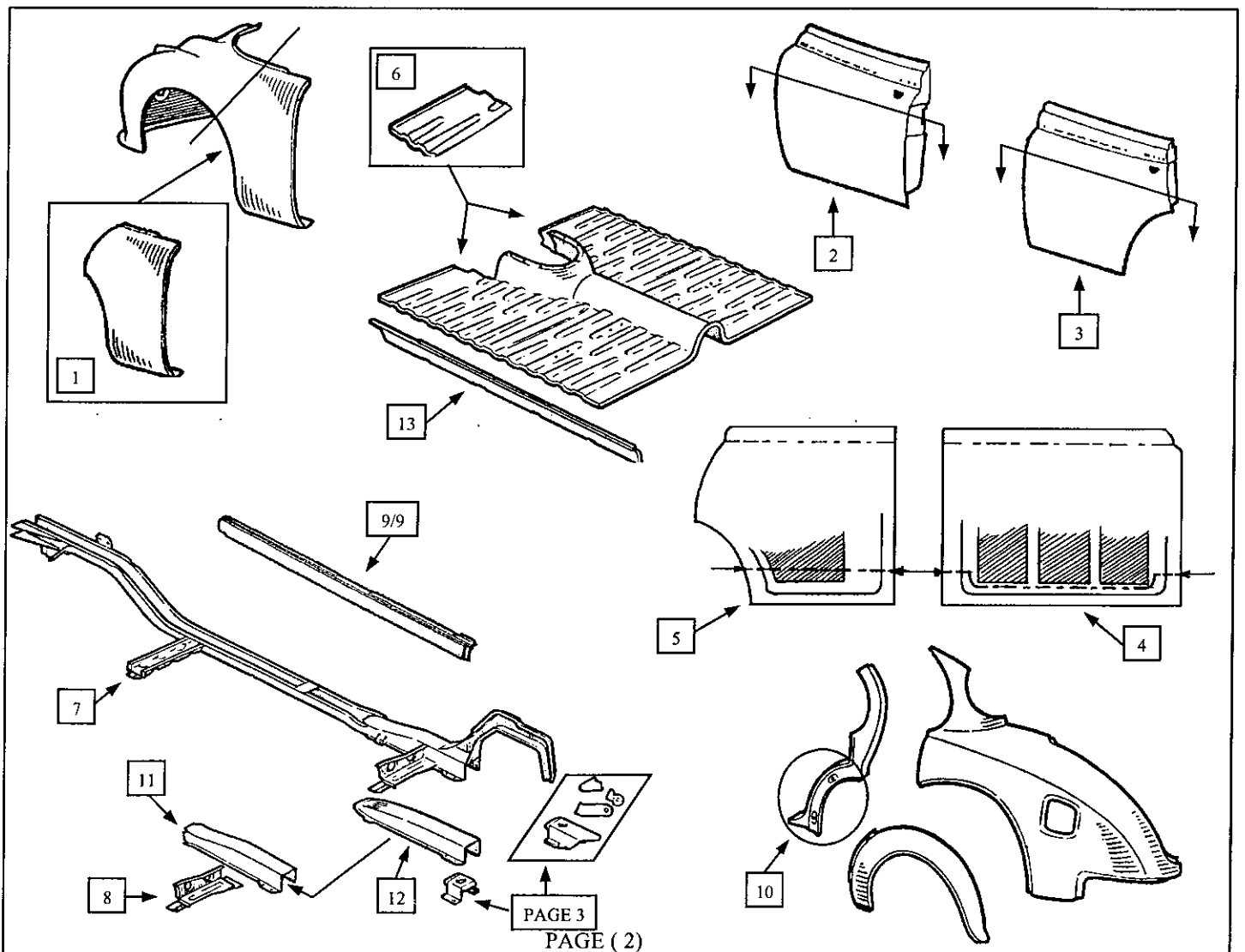
UNDERFRAME & OUTER BODY PANELS

OUR REF. NO.	JAGUAR NO.	DESCRIPTION
1 MRK1	5137	FRONT CROSSMEMBER
2 MRK2	4130	FRONT CROSSMEMBER CLOSING PANEL
3 MRK3LH/RH	4129/8	FRONT CROSSMEMBER BRACE (OUTRIGGER)
4 MRK4	BD259 69	CROSSMEMBER VALANCE (240/340/V8 250)
5 MRK5LH/RH	6603/2	FRONT WING STAY BRACKET (CROWS FOOT)
6 MRK6LH/RH	6605/4	GUSSET REINFORCING STAY BRACKET
7 MRK7	6627	CLOSING PLATE JOINING FRONT WINGS UNDER GRILL
8 MRK8LH/RH	6585/4	RADIATOR MOUNTING BRACKET
9 MRK9	6721	RADIATOR ACCESS PANEL
10 MRK10LH/RH	7220/19	RADIATOR COWL (2 PER CAR)
11 MRK11LH/RH	10530/29	BAFFLE SPLASH PANEL (FITTED BEHIND FRONT WHEEL)
12 MRK12LH/RH	8008/7 R.P.	REPLACEMENT WHEELARCH FRONT WING
13 MRK13	8008/7 R.P.	SIDELIGHT HOUSING FRONT WING
14 MRK14LH/RH	8008/7 R.P.	LOWER SKIRT, FRONT LOWER SECTION FRONT WING (2 PER CAR)
15 5101RP	R.P.	R.H. FRONT CHASSIS REPAIR SECTION
15 5102RP	R.P.	L.H. FRONT CHASSIS REPAIR SECTION



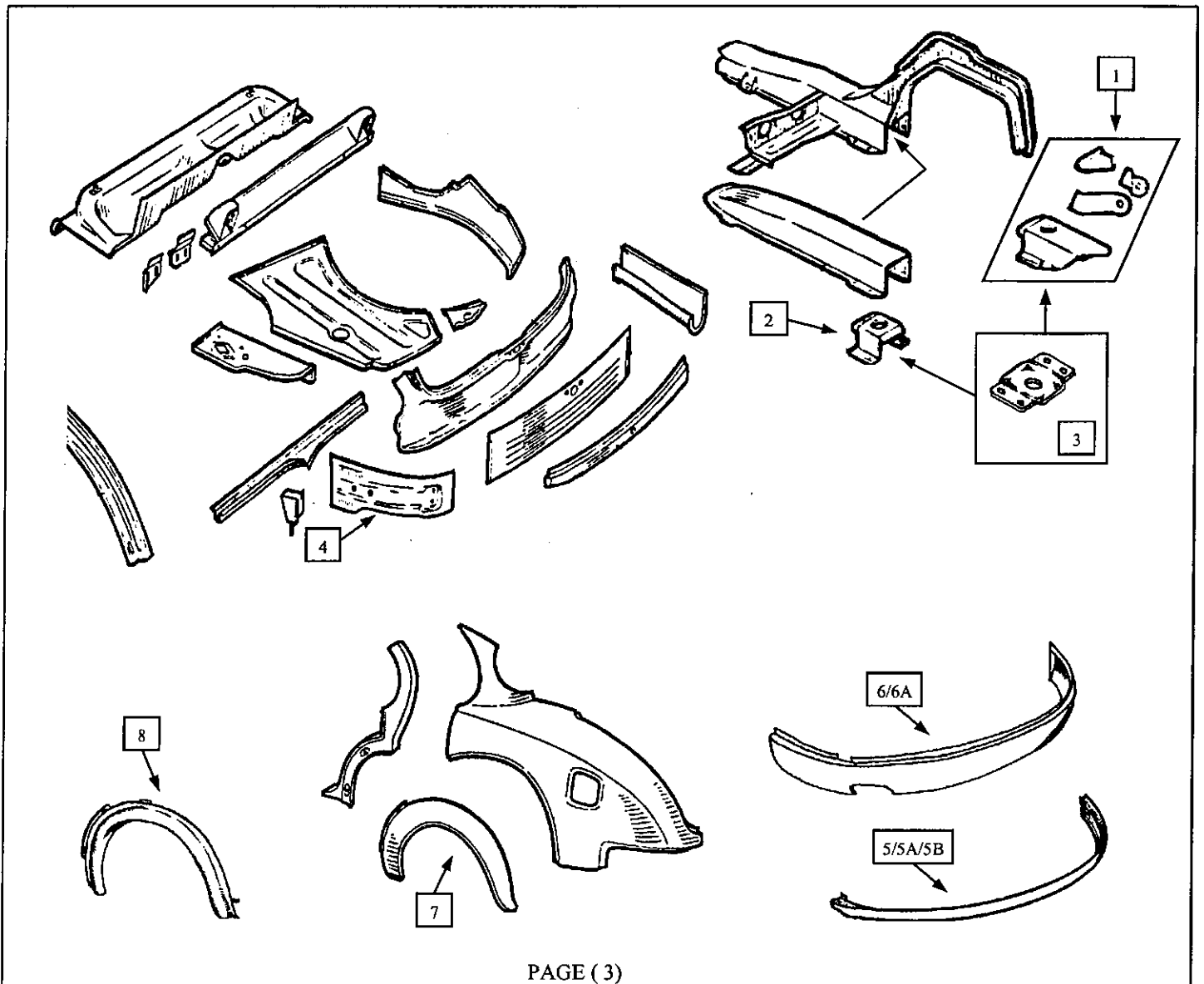
MK1, MK2, 240, 340 & DAIMLER V8 UNDERFRAME & OUTER BODY PANELS

No.	MER No.	JAGUAR No.	DESCRIPTION
1	MRK15LH/RH	8008/7 R.P.	REAR HALF OF FRONT WING
2	MRK16LHF/RHF	8155/4 R.P.	PART DOOR SKIN FRONT (<i>3/4 SKIN</i>)
3	MRK16LHR/RHR	8160/59 R.P.	PART DOOR SKIN REAR (<i>3/4 SKIN</i>)
4	MRK16DBLHF/RHF	8157/6 R.P.	FRONT INNER DOOR BOTTOM
5	MRK16DBLHR/RHR	8162/1 R.P.	REAR INNER DOOR BOTTOM
6	MRK17LH/RH	4103 R.P.	FLOOR REPAIR PANEL ABOVE FRONT JACKING POINT
7	MRK18LH/RH	6739/8	FRONT JACKING POINT
8	MRK19LH/RH	8737/6	REAR JACKING POINT (<i>C/W FLITCH PLATE</i>)
9	MRK20LH/RH	4110/09	FULL SILL (<i>WITH STEP</i>)
9A	MRK20ALH/RH	4110/09 R.P.	HALF SILL (<i>WITHOUT STEP</i>)
10	MRK21LH/RH	8135/4 R.P.	D.POST REPAIR PANEL WITH DZUS FASTENERS FOR WHEEL SPAT
11	MRK22LH/RH	6722/3	REINFORCING CHANNEL FOR ROAD SPRING (<i>UPPER SPRING HANGER</i>)
12	MRK23LH/RH	6582/3	LONGITUDINAL REAR SIDE MEMBER (<i>LOWER SPRING HANGER</i>)
13	MRK24LH/RH	7002/3	INNER SILL



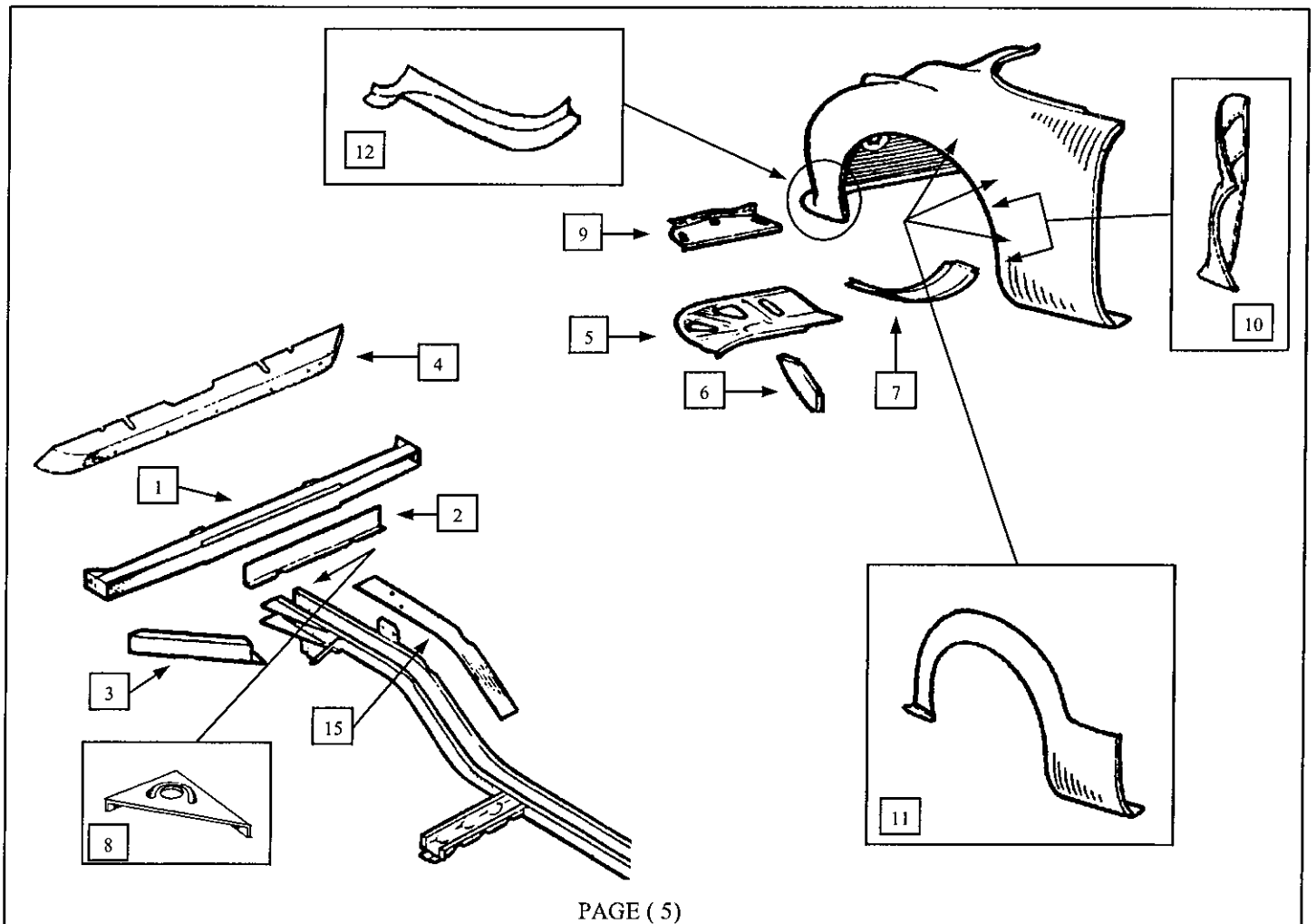
MK1, MK2, 240, 340 & DAIMLER V8 UNDERFRAME & OUTER BODY PANELS

No.	MER No.	JAGUAR No.	DESCRIPTION
1	MRK25	6742/26/28	PANHARD ROD MOUNTING BRACKET ASSEMBLY FOR R/H SPRING HANGER
2	MRK26	6741	SPRING CLAMP ASSEMBLY FOR L/H SPRING HANGER
3	MRK26A	10845	CLAMP PLATE SECURING ROAD SPRING AT CENTRE
4	MRK27LH/RH	8120/19	TONNEAU SIDE PANEL ASSEMBLY (REAR INNER CORNER WITH BUMPER MOUNTING STUDS)
5	MRK28	8321	EXTENSION PANEL ASSEMBLY (AT REAR OF BODY BELOW BUMPER/NARROW VALANCE (3.4 & 3.8 MK2))
5A	MRK28B	N.A.	NARROW VALANCE (MK2 2.4)
5B	MRK28C	BD17083	NARROW VALANCE (2 1/2 V8)
6	MRK28A	N.A.	EXTENSION PANEL ASSEMBLY (WIDE VALANCE 240 & 340)
6A	MRK28E	N.A.	WIDE VALANCE (V8 250)
7	MRK29LH/RH	BD17012/11	REAR WHEEL COVER/SPAT (CUT AWAY TYPE)
8	MRK29ALH/RH	N.A.	REAR WHEEL COVER/SPAT (SPORT TYPE)



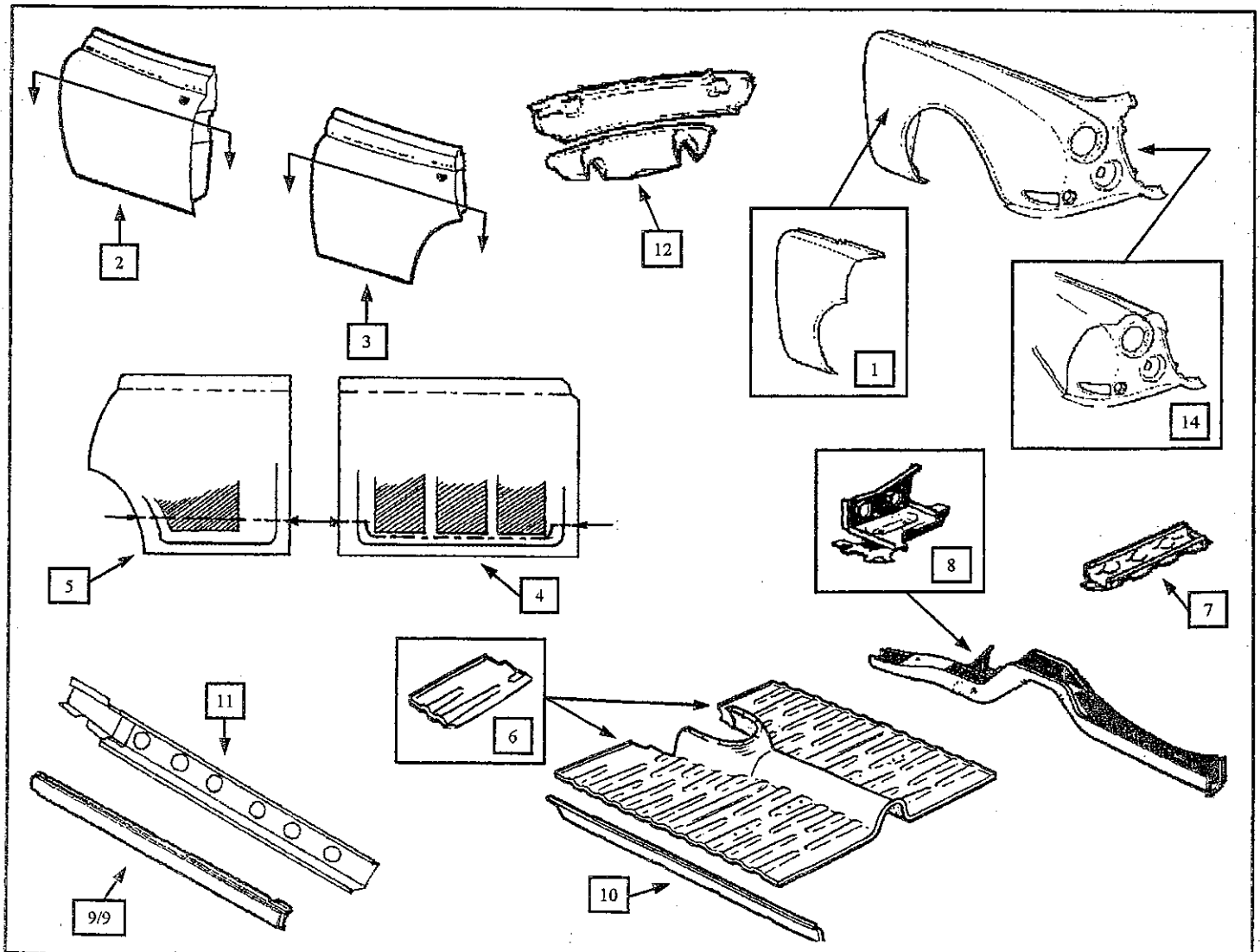
MK1, MK2, 240, 340 & DAIMLER V8 UNDERFRAME & OUTER BODY PANELS

No.	MER No.	JAGUAR No.	DESCRIPTION
1	MRK1	5137	FRONT CROSSMEMBER
2	MRK2	4130	FRONT CROSSMEMBER CLOSING PANEL
3	MRK3LH/RH	4129/8	FRONT CROSSMEMBER BRACE (<i>OUTRIGGER</i>)
4	MRK4	BD25969	CROSSMEMBER VALANCE (<i>240/340/V8 250</i>)
5	MRK5LH/RH	6603/2	FRONT WING STAY BRACKET (<i>CROWS FOOT</i>)
6	MRK6LH/RH	6605/4	GUSSET REINFORCING STAY BRACKET
7	MRK7	6627	CLOSING PLATE JOINING FRONT WINGS UNDER GRILL
8	MRK8LH/RH	6585/4	RADIATOR MOUNTING BRACKET
9	MRK9	6721	RADIATOR ACCESS PANEL
10	MRK11LH/RH	10530/29	BAFFLE SPLASH PANEL (<i>FITTED BEHIND FRONT WHEEL</i>)
11	MRK12LH/RH	8008/7 R.P.	REPLACEMENT WHEELARCH FRONT WING
12	MRK14LH/RH	8008/7 R.P.	LOWER SKIRT, FRONT LOWER SECTION FRONT WING (<i>2 PER CAR</i>)
13	5101RP	R.P.	R.H. FRONT CHASSIS REPAIR SECTION
13	5102RP	R.P.	L.H. FRONT CHASSIS REPAIR SECTION



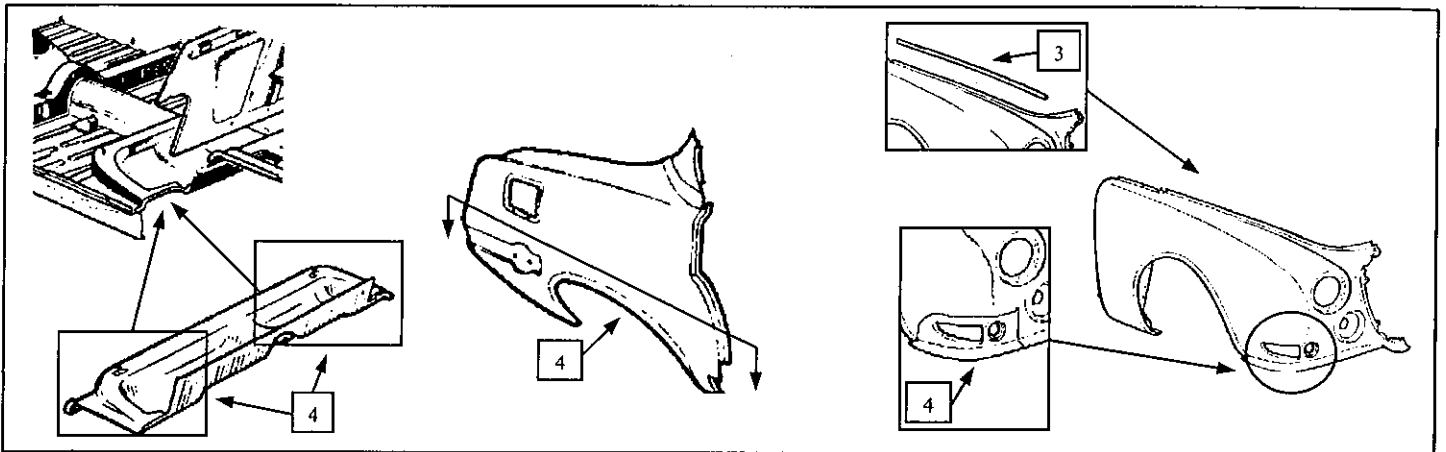
'S' TYPE 3.4 & 3.8 UNDERFRAME & OUTER BODY PANELS

No.	MER No.	JAGUAR No.	DESCRIPTION	RETAIL	EACH	DISC CD
1	MRK15LH/RH	11145/4	REAR HALF OF FRONT WING			
2	MRK16LHF/RHF	80136/5 R.P.	PART DOOR SKIN FRONT (3/4 SKIN)			
3	MRK16LHR/RHR	10158/7 R.P.	PART DOOR SKIN REAR (3/4 SKIN)			
4	MRK16DBLHF/RHF	10136/5 R.P.	FRONT INNER DOOR BOTTOMS			
5	MRK16DBLHR/RHR	10138/7 R.P.	REAR INNER DOOR BOTTOMS			
6	MRK17LH/RH	10259 R.P.	FLOOR REPAIR PANEL ABOVE FRONT JACKING POINT			
7	MRK18LH/RH	6739/8	FRONT JACKING POINT			
8	MRK19ALH/RH	10313/2	REAR JACKING POINT (C/W FLITCH PLATE)			
9	MRK20BLH/RH	10153/2	FULL SILL (WITH STEP)			
9A	MRK20CLH/RH	10153/2 R.P.	HALF SILL (WITHOUT STEP)			
10	MRK24LH/RH	1002/3	INNER SILL			
11	MRK24ALH/RH	10158/7	MIDDLE INNER SILL			
12	MRK28D	BD25977	REAR LOWER VALANCE			
13	MRK31ALH/RH	11145/4	FULL FRONT WINGS			
14	MRK32AALH/RH	11145/4 R.P.	NOSE SECTION COMPLETE			



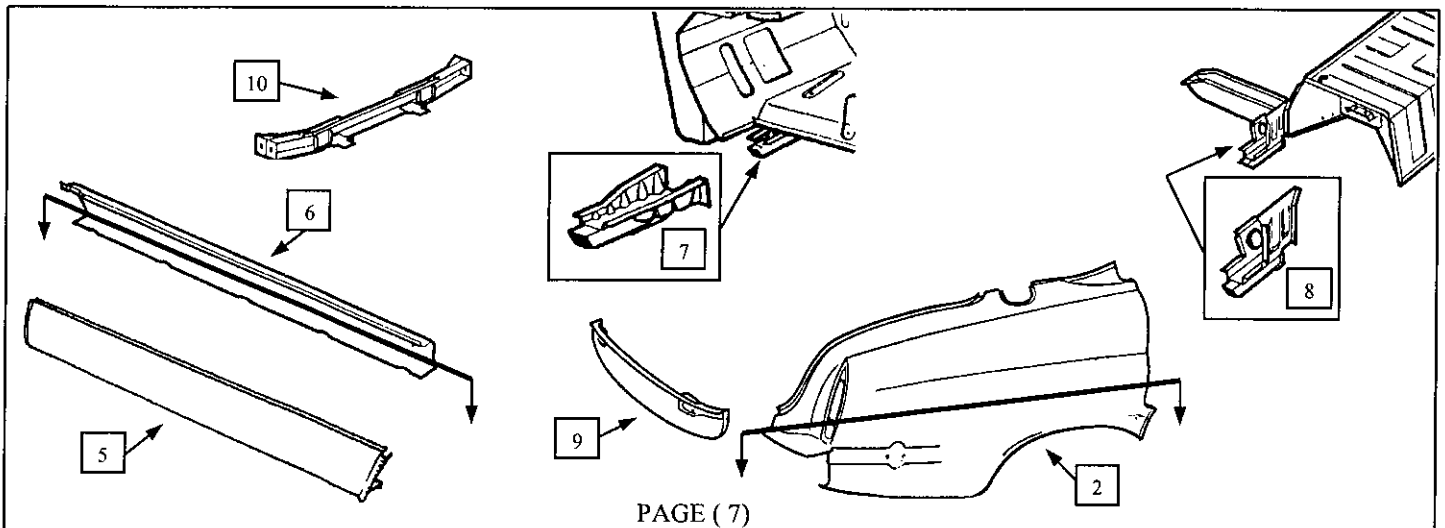
'S' TYPE 3.4 & 3.8 UNDERFRAME & OUTER BODY PANELS

No.	MER No.	JAGUAR No.	DESCRIPTION
1	MRK34ALH/RH	11145/4	SIDE LIGHT & INDICATOR REPAIR PANEL
2	MRK35LH/RH	10142/1	REAR WING LOWER HALF
3	MRK36	6665	CAPPING (TOP OF FRONT WING TO INNER WING)
4	MRK46LH/RH	8116 R.P.	REAR SEAT PAN REPAIR (ABOVE SPRING HANGER)



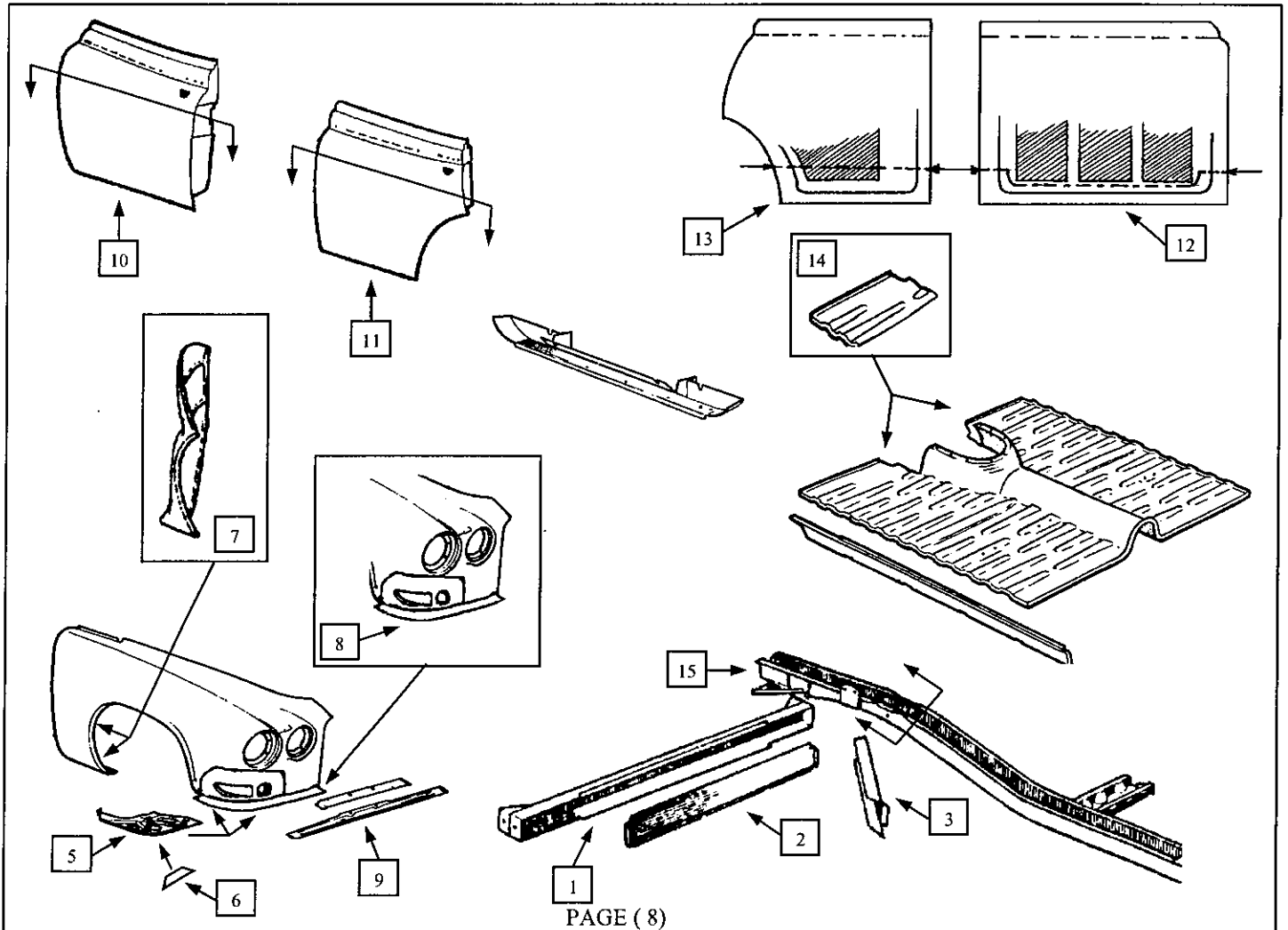
MK10/420G UNDERFRAME & OUTER BODY PANELS

No.	MER No.	JAGUAR No.	DESCRIPTION
2	MRK35LH/RH	10142/1	REAR WING LOWER HALF NEEDS ADAPTING FROM 'S' TYPE
5	MRK40LH/RH	9362/1	OUTER SILL WITHOUT STEP
6	MRK41	9532/1 R.P.	LOWER SILL
7	9580	9580	FRONT JACKING POINTS
8	9581/8	9588/7	REAR JACKING POINTS
9	9444	9444	REAR VALANCE
10	9554	9554	FRONT CROSSMEMBER



UNDERFRAME & OUTER BODY PANELS

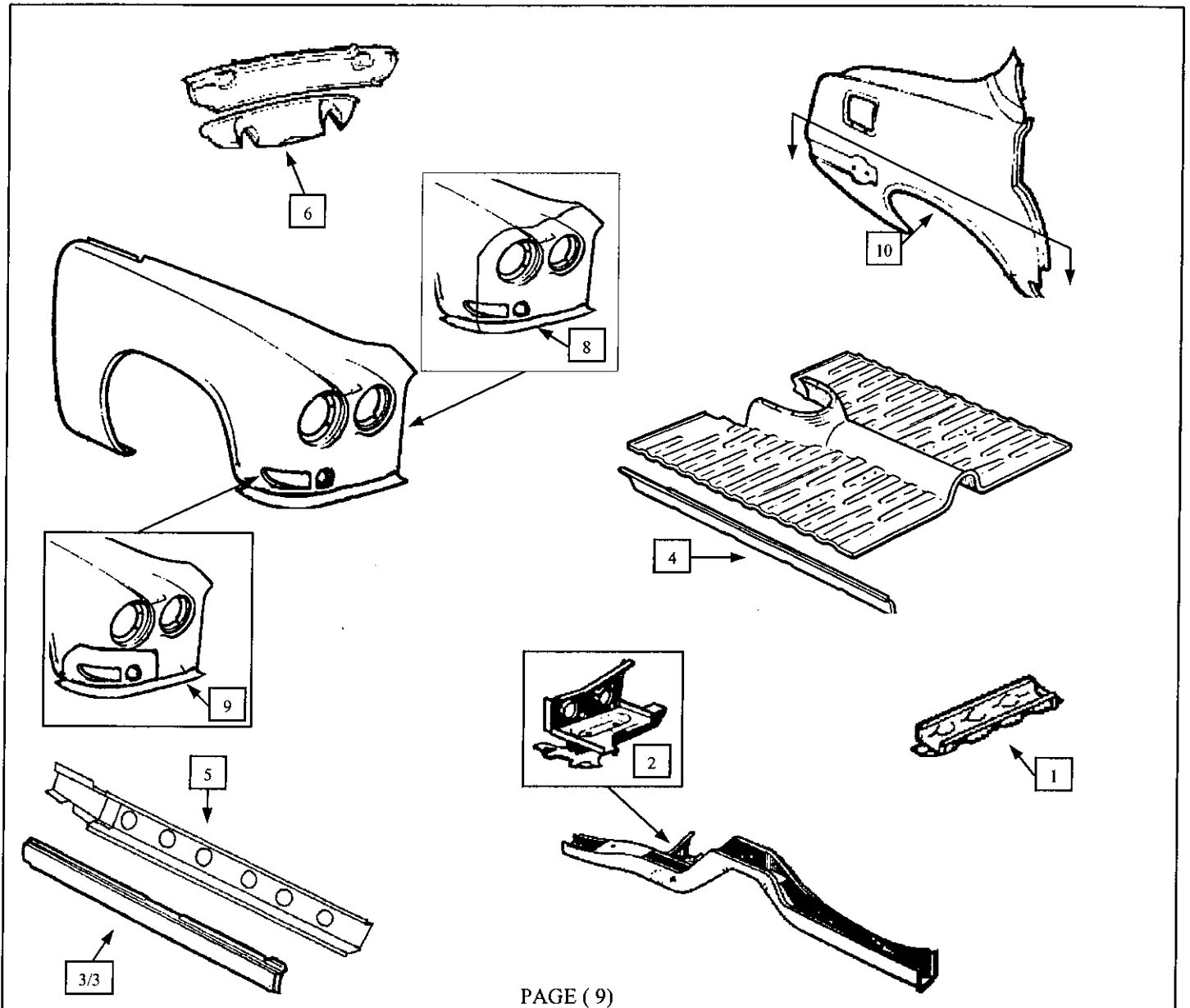
No.	MER No.	JAGUAR No.	DESCRIPTION
1	MRK1A	11387	FRONT CROSSMEMBER
2	MRK2A	11388	FRONT CROSSMEMBER CLOSING PANEL
3	MRK3LH/RH	4129/8	FRONT CROSSMEMBER BRACE (<i>OUTRIGGER</i>)
4	MRK4A	BD30133	FRONT CROSSMEMBER VALANCE
5	MRK5LH/RH	6603/2	FRONT WING STAY BRACKET (<i>CROWS FOOT</i>)
6	MRK6LH/RH	11383/11403	GUSSET, REINFORCING STAY BRACKET
7	MRK11ALH/RH	11425/4	BAFFLE SPLASH PANEL (<i>FITTED BEHIND FRONT WHEEL</i>)
8	MRK14ALH/RH	11360/59 R.P.	LOWER SKIRT, FRONT LOWER SECTION FRONT WING (<i>2 PER CAR</i>)
9	11363	11363	REINFORCING PANEL UNDER RADIATOR GRILL
10	MRK16LHF/RHF	10136/35	PART DOOR SKIN FRONT (<i>3/4 SKIN</i>)
11	MRK16LHR/RHR	10138/7 R.P.	PART DOOR SKIN REAR (<i>3/4 SKIN</i>)
12	MRK16DBLHF/RHF	10135/6 R.P.	FRONT INNER DOOR BOTTOM
13	MRK16DBLHR/RHR	10138/7 R.P.	REAR INNER DOOR BOTTOM
14	MRK17LH/RH	11413 R.P.	FLOOR REPAIR ABOVE FRONT JACKING POINT
15	5101RP	R.P.	RH FRONT CHASSIS REPAIR SECTION
15A	5102RP	R.P.	LH FRONT CHASSIS REPAIR SECTION



420

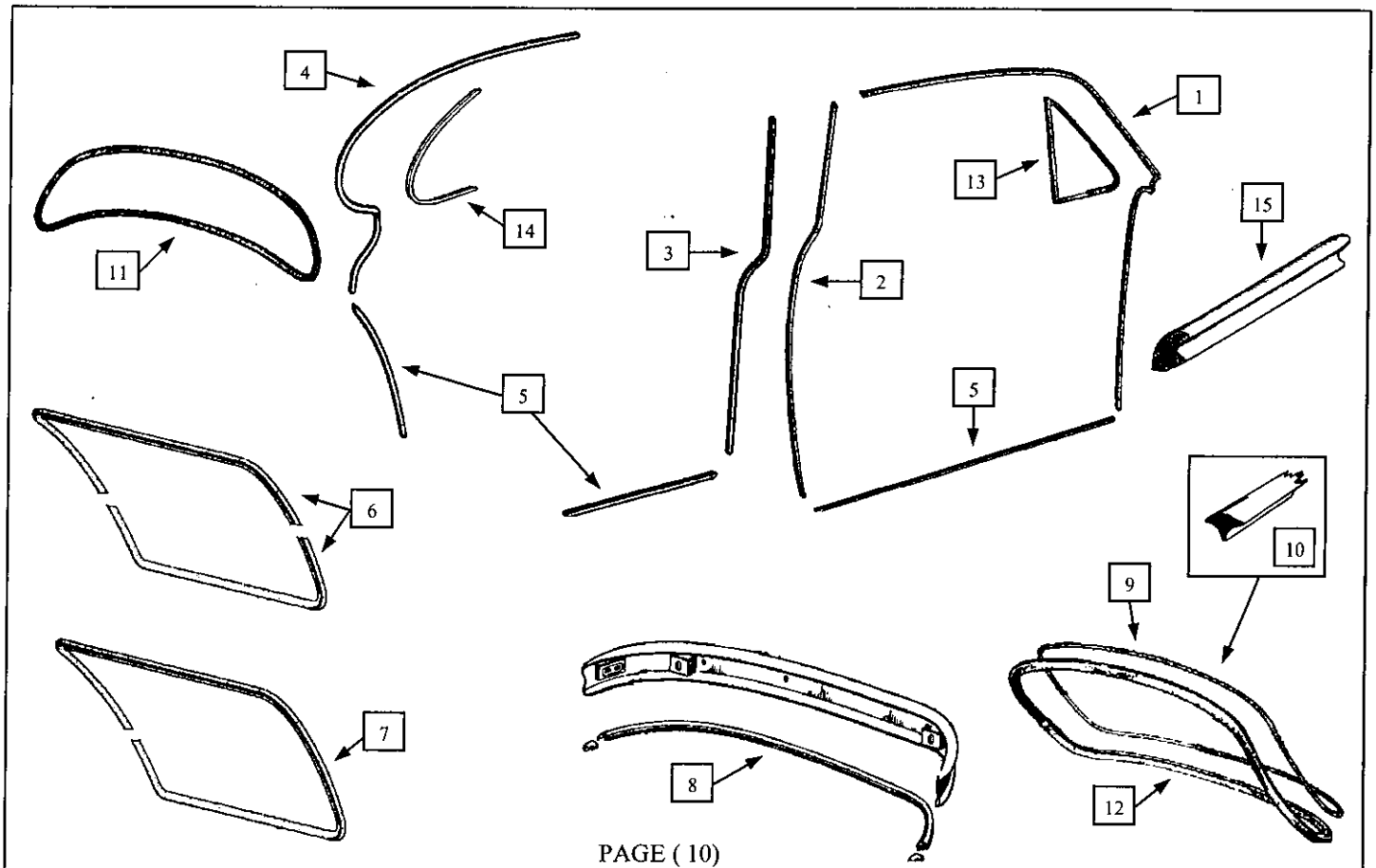
UNDERFRAME & OUTER BODY PANELS

No.	MER No.	JAGUAR No.	DESCRIPTION
1	MRK18LH/RH	6739/8	FRONT JACKING POINT
2	MRK19ALH/RH	10313/2	REAR JACKING POINT (C/W FLITCH PLATE)
3	MRK20BLH/RH	10153/2	FULL SILL (WITH STEP)
3A	MRK20CLH/RH	10153/2 R.P.	HALF SILL (WITHOUT STEP)
4	MRK24LH/RH	7003/2	INNER SILL
5	MRK24ALH/RH	10157/8	MIDDLE INNER SILL
6	MRK28D	BD25977	REAR LOWER VALANCE
7	MRK31BLH/RH	11360/59	FULL FRONT WINGS
8	MRK32BBLH/RH	11360/59 R.P	NOSE SECTION COMPLETE
9	MRK34ALH/RH	11360/59 R.P.	SIDE LIGHT & INDICATOR PANEL
10	MRK35LH/RH	10142/1 R.P.	REAR WING LOWER HALF



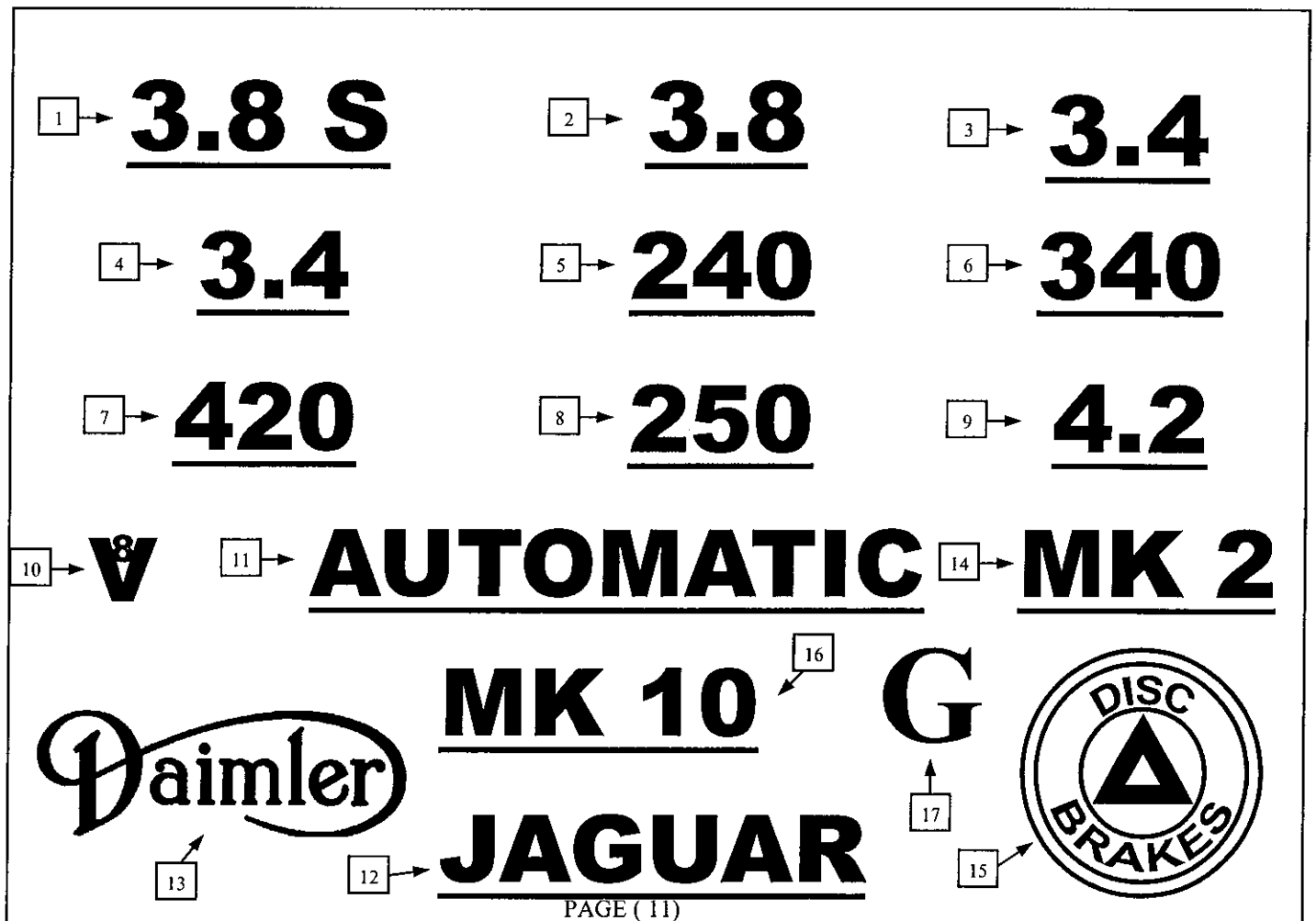
MK2, 240/340, 'S' TYPE 420, DAIMLER SALOON RUBBER SEALS

No.	MER No.	JAGUAR No.	DESCRIPTION
	RSMK2FSK	N.A.	FULL SEAL KIT
	RSMKDSK	N.A.	DOOR SEAL KIT
			<u>COMPRISING:</u>
1	RS1LH/RH	BD18268/7	1 PR x RS1 'A' POST SEALS LH/RH
2	RS2LH/RH	BD19156/5	1 PR x RS2 'B' POST SEALS LH/RH
3	RS3LH/RH	BD18266/5	1 PR x RS3 'C' POST SEALS LH/RH
4	RS4LH/RH	BD18270/69	1 PR x RS4 'D' POST SEALS LH/RH
5	RS5	BD18272/1	5 x RS5 SILL SEAL
			<u>(ONE OF ABOVE TO BE CUT IN HALF FOR LOWER 'D' POST)</u>
6	RS7	BD14100/1	BOOT LID SEALS (2 PER CAR) (NOT 'S' TYPE OR 420)
7	RS7A	BD21528/2	BOOT LID SEAL ('S' TYPE & 420)
8	RS8	BD9949/1	REAR BUMPER SEAL (NOT 'S' TYPE OR 420)
9	RS9	BD16908	FRONT SCREEN SEAL (ALL MODELS)
10	R04M	BD17291	INSERT FOR ABOVE PER METRE
11	RS10	BD16992	REAR SCREEN SEAL (NOT 'S' TYPE OR 420)
12	RS10A	BD25297	REAR SCREEN SEAL ('S' TYPE & 420)
13	RS11	BD17048/9	FRONT QUATER LIGHT/NDV SEALS (ALL MODELS)
14	BD17072/3	BD17072/3	REAR QUATER LIGHT SEAL
15	BD4920/3	BD4920/3	REST RUBBER REAR OF BONNET



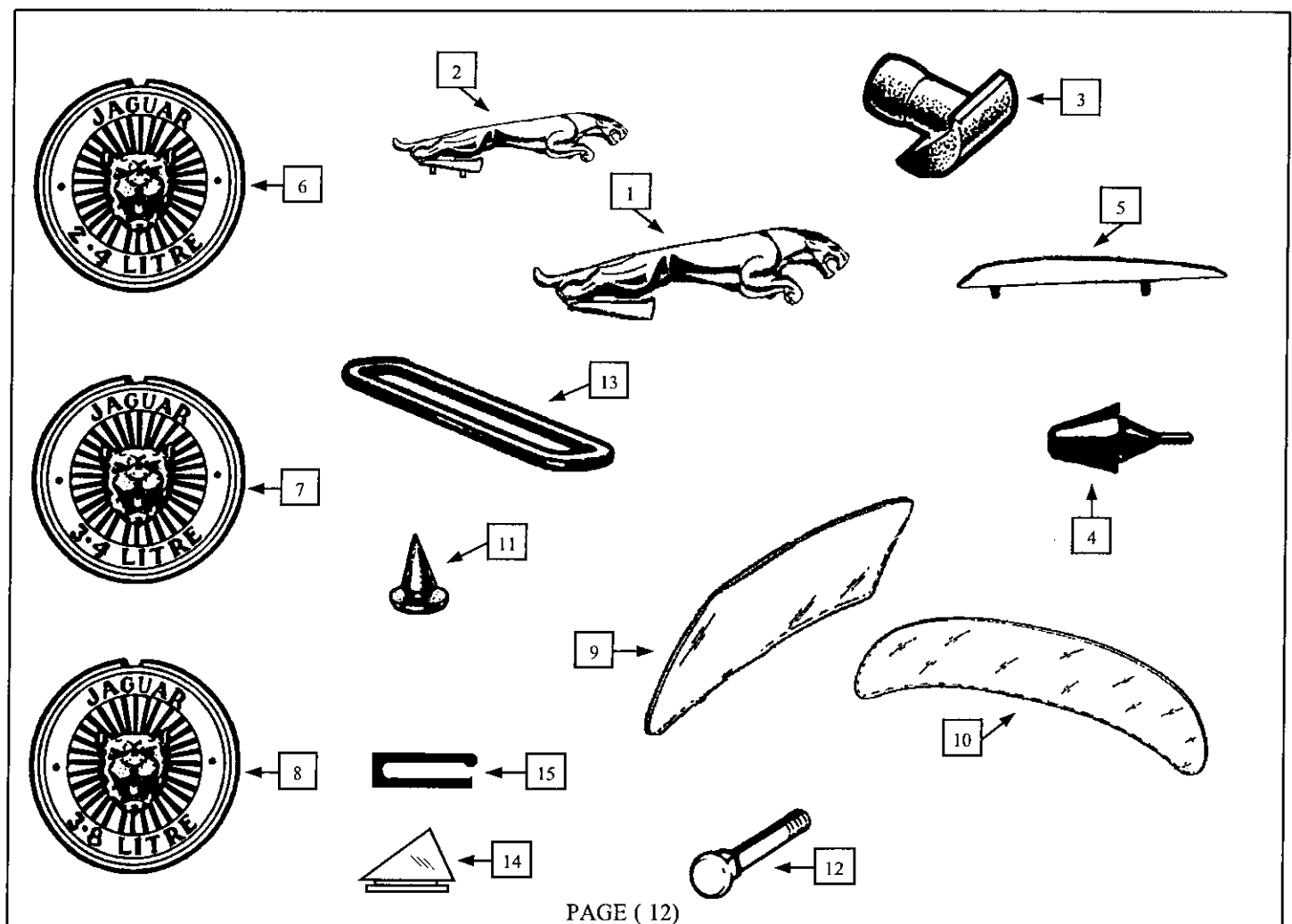
MK2, 240, 340, V8 DAIMLER 'S' TYPE 420, 420G ANCILLARY BODY FITTING

No.	MER No.	JAGUAR No.	DESCRIPTION
1	BD26765	BD26765	BOOT LID SCRIPT '3.8S'
2	BD27195	BD27195	BOOT LID SCRIPT '3.8'
3	BD26764	BD26764	BOOT LID SCRIPT '3.4S'
4	BD27196	BD27196	BOOT LID SCRIPT '3.4'
5	BD32703	BD32703	BOOT LID SCRIPT '240'
6	BD31034	BD31034	BOOT LID SCRIPT '340'
7	BD29947	BD29947	BOOT LID SCRIPT '420'
8	BD32126	BD32126	BOOT LID SCRIPT '250'
9	BD26766	BD26766	BOOT LID SCRIPT '4.2'
10	BD24521	BD24521	BOOT LID SCRIPT 'V8'
11	BD26763	BD26763	BOOT LID SCRIPT 'AUTOMATIC'
12	BD26762	BD26762	BOOT LID SCRIPT 'JAGUAR'
13	BD24520	BD24520	BOOT LID SCRIPT 'DAIMLER'
14	BD27194	BD27194	BOOT LID SCRIPT 'MK2'
15	BD17737	BD17737	DISC BRAKE EMBLEM (ON REAR BUMPER BAR)
16	BD21856	BD21856	BOOT LID SCRIPT 'MK10'
17	BD30584	BD30584	BOOT LID SCRIPT 'G'



MK2, 240, 340, V8 DAIMLER 'S' TYPE 420, 420G, MK10 ANCILLARY BODY FITTINGS

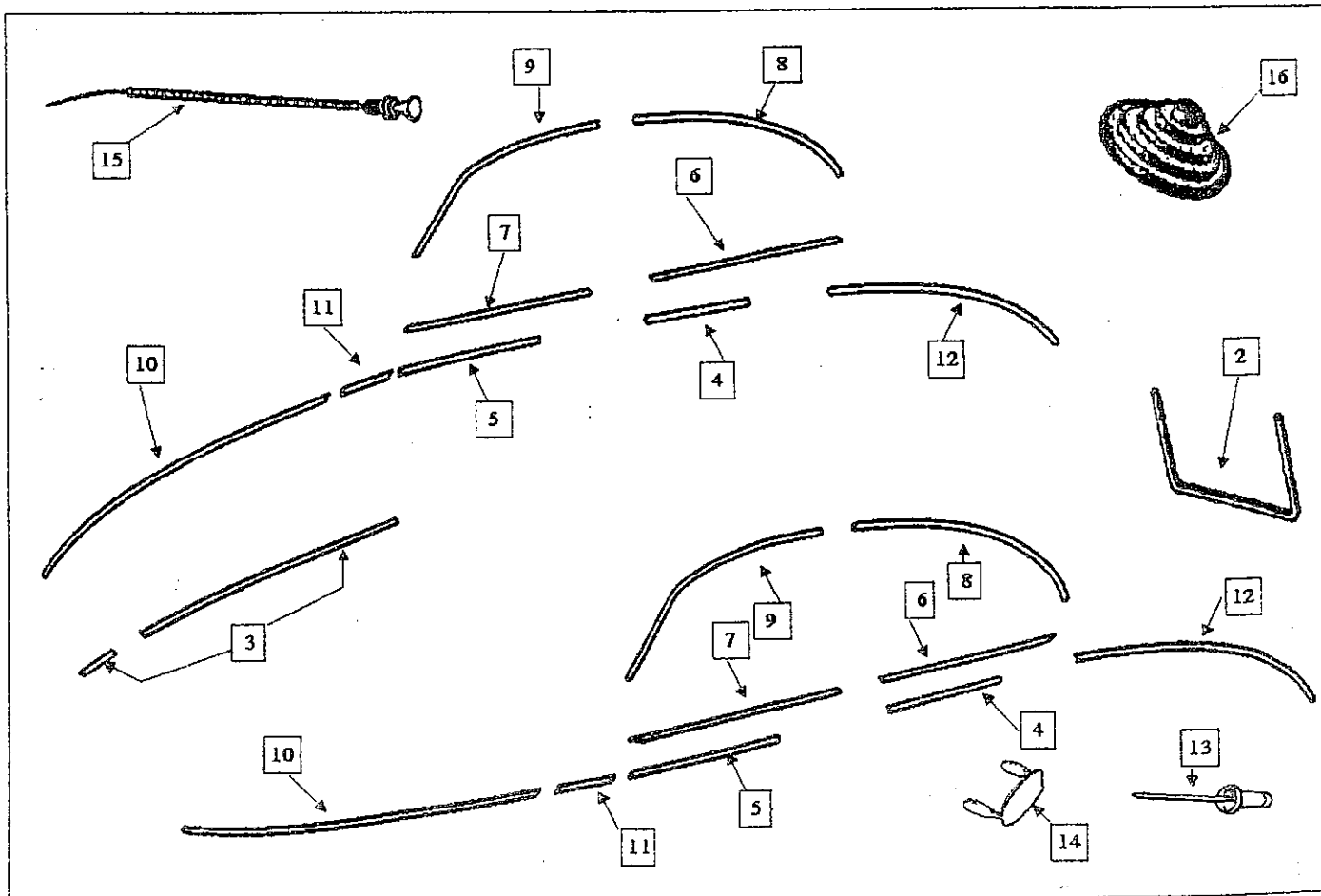
No.	MER No.	JAGUAR No.	DESCRIPTION
1	BD10954	BD10954	BONNET MASCOT (<i>LEAPING CAT</i>) 9" MK2 & 'S' TYPE
2	BD29644	BD29644	BONNET MASCOT (<i>LEAPING CAT</i>) 5" 420, 420G & MK10
3	C4928*	C4928	JACKING POINT RUBBER SEALING CAP
4	BD4951	BD4951	DOOR & BONNET RUBBER BUFFERS (<i>6 PER CAR</i>)
5	BD9875	BD9875	SIDELIGHT CHROME SPEAR (<i>MK2 & V8</i>)
6	BD11497	BD11497	RADIATOR GRILL MOTIF (<i>2.4 MK1 & MK2</i>)
7	BD12448	BD12448	RADIATOR GRILL MOTIF (<i>3.4 MK2 & 'S' TYPE</i>)
8	BD17736	BD17736	RADIATOR GRILL MOTIF (<i>3.8 MK2 & 'S' TYPE</i>)
9	134T80	BD29575	WINDSCREEN GLASS (<i>ALSO AVAILABLE IN SUNDYM</i>)
10		BD16991	REAR WINDSCREEN (<i>ALSO AVAILABLE IN SUNDYM</i>)
11	BD4321	BD4321	BOTTOM GROMMET BUFFER ON FUEL FILLER FLAP
12	BD9870	BD9870	BUMPER BOLTS (<i>MK2</i>)
13	BD9876	BD9876	AIR VENT SEAL ON SCUTTLE (<i>MOT MK10 OR 420G</i>)
14	C4691	C4691	RED PRISM ON SIDELIGHT HOUSING
15	C4098/2	C4098/2	CLIP FOR SIDELIGHT PRISM
16	BD17847/1	BD17847/1	SPAT SEAL ON REAR WING MK2



ADDITIONAL BODY FITTINGS

OUR REF. NO.	JAGUAR NO.	DESCRIPTION
1 MK2CK	N.A.	BODY CHROME KIT
<u>THE ABOVE KIT INCLUDES THE FOLLOWING:</u>		
2 BD10764	BD10764	REAR NUMBER PLATE SURROUND
3 BD10975/6	BD10975/BD10976	LONG AND SHORT BONNET BEADING
4 BD17086	BD17086	REAR DOOR LOWER CHROME (2 PER CAR)
5 BD17087/BD17088	BD17087/BD17088	LH/RH LOWER FRONT DOOR CHROME (1 OF EACH)
6 BD17091/BD17092	BD17091/BD17092	LH/RH REAR TOP DOOR CHROMES (1 OF EACH)
7 BD17093/BD17094	BD17093/BD17094	LH/RH FRONT TOP DOOR CHROMES (1 OF EACH)
8 BD17126/BD17127	BD17126/BD17127	LH/RH REAR GUTTER CHROME (1 OF EACH)
9 BD17128/BD17129	BD17128/BD17129	LH/RH FRONT GUTTER CHROME (1 OF EACH)
10 BD9718/BD9719	BD9718/BD9719	LH/RH BONNET SIDE CHROME (1 OF EACH)
11 BD9720/BD9721	BD9720/BD9721	LH/RH SCUTTLE SIDE CHROME (1 OF EACH)
12 BD9725/BD9726	BD9725/BD9726	LH/RH REAR WING CHROME (1 OF EACH)

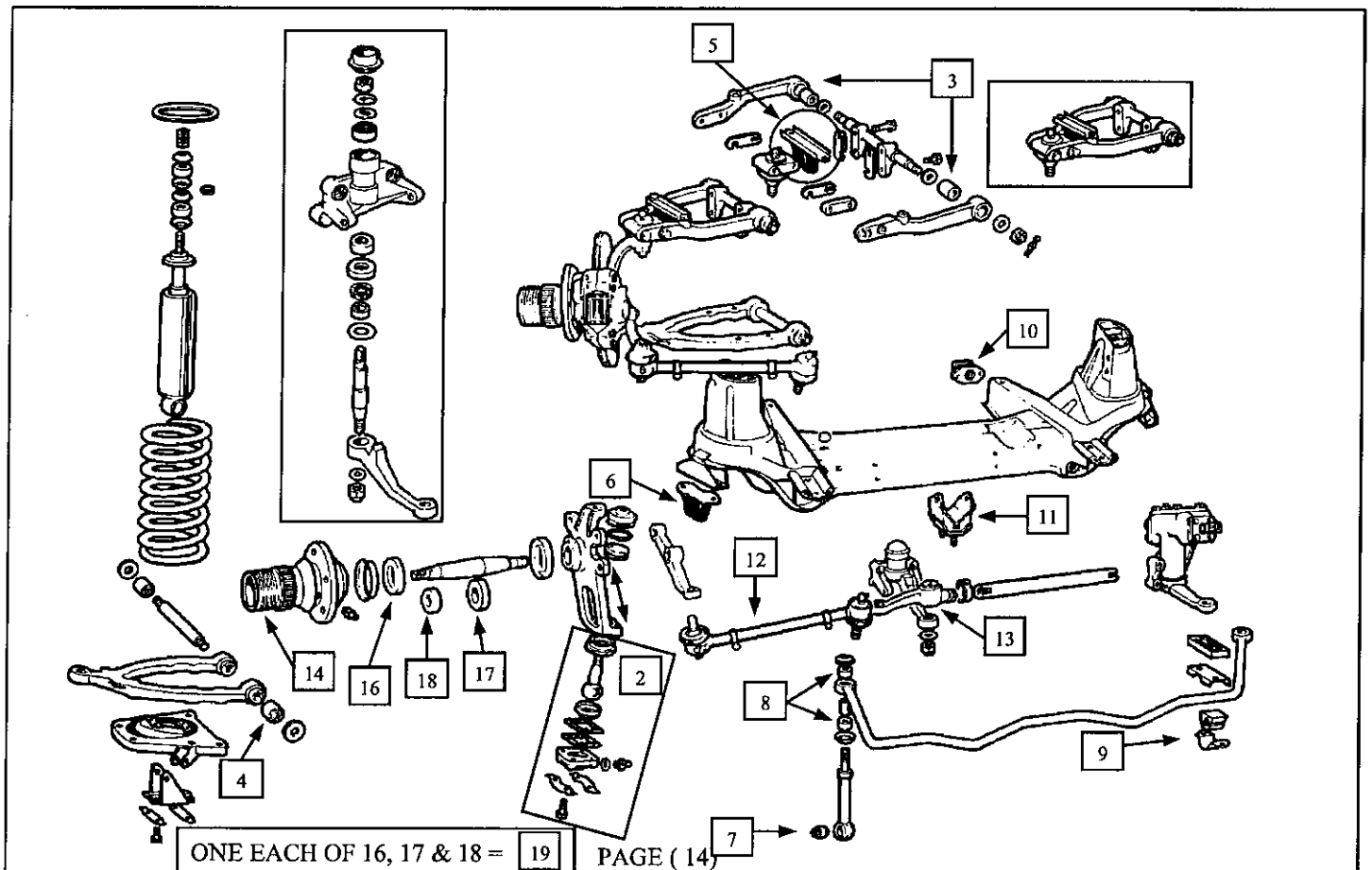
13 BD26706/1	N.A.	RIVET FIXING BODY CHROMES TO CAR (ALTERNATIVE) (100 REQUIRED PER VEHICLE)
14 BD11546	BD11546	STAPLE FIXING BONNET CHROMES (25 PER CAR)
15 BD10221	BD10221	BONNET RELEASE CABLE
16 BD14134	BD14134	GEARSHIFT RUBBER GAITER



ALL SALOON MODELS (PRE XJ)

SUSPENSION

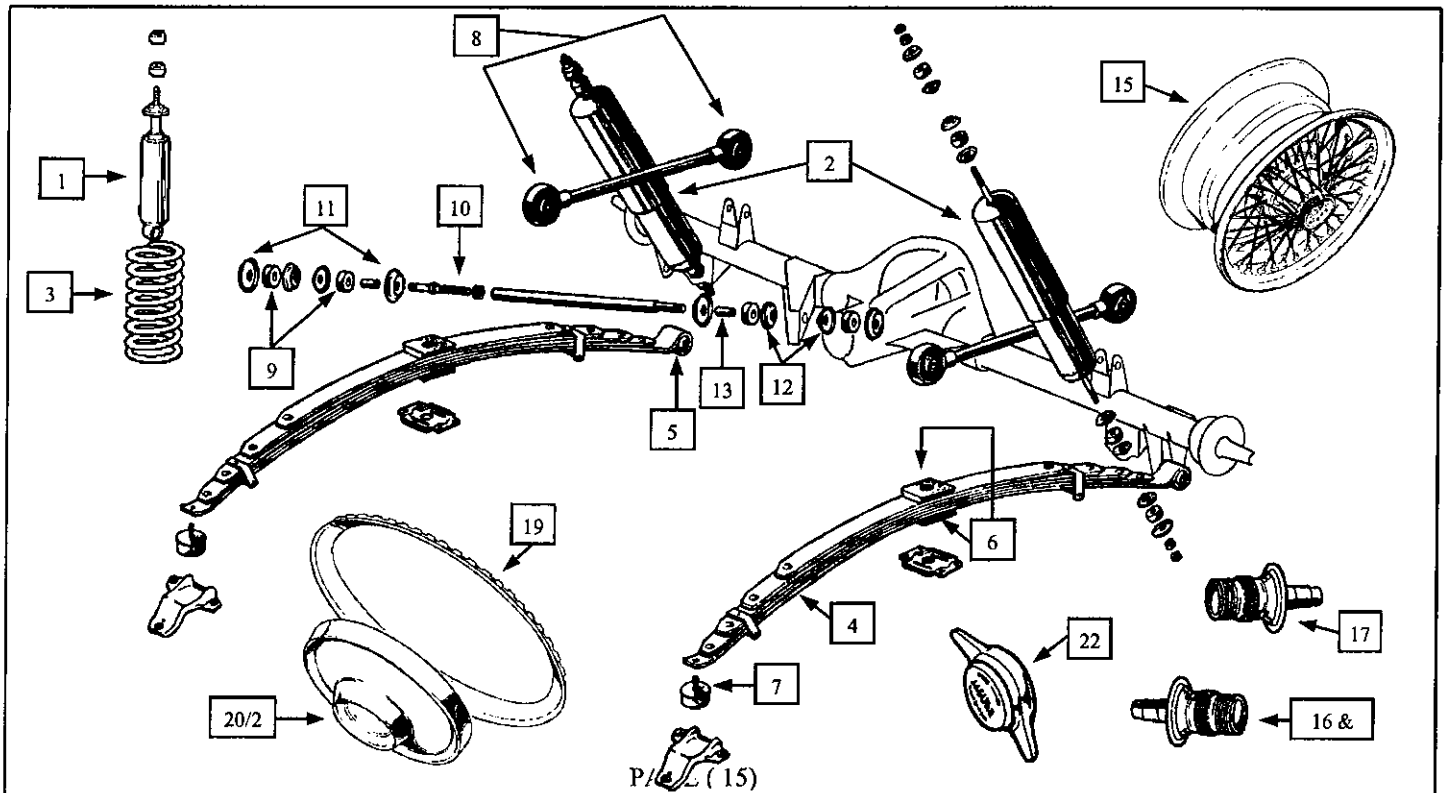
No.	MER No.	JAGUAR No.	DESCRIPTION
1	C23024	C23024	TOP BALL JOINT KIT
2	12803	12803	BOTTOM BALL JOINT KIT
3	C8672	C8672	TOP WISHBONE BUSH (4 PER CAR)
4	C8673*	C8673	BOTTOM WISHBONE BUSH (4 PER CAR)
5	C17172	C17172	TOP BUMPSTOP RUBBER (NOT MK10 OR 420G)
6	C13918	C13918	BOTTOM BUMPSTOP (NOT MK10 OR 420G)
7	C10940*	C10940	ANTI-ROLLBAR EYE BUSH
8	C10996	C10996	ANTI-ROLLBAR LINK, TOP RUBBER (4 PER CAR)
9	C14983	C14983	ANTI-ROLLBAR MOUNTING RUBBER
10	C23314*	C23314	FRONT SUSPENSION FRONT MOUNTING
11	C9004	C9004	FRONT SUSPENSION, REAR 'V' MOUNTING
12	C22678/1*	C22678/1	OUTER TIE ROD ASSEMBLY LH/RH
13	C17099	C17099	PIN AND BUSH (IN CENTRE TIE ROD ENDS)
14	C19225/6	C19225/6	FRONT SPLINED HUBS LH/RH
15	C1102/C1103	C1102/C1103	EARED SPINNERS LH/RH
16	C15350	C15350	OIL SEAL ON OUTER WHEEL BEARING (FRONT)
17	C15351	C15351	INNER WHEEL BEARING (FRONT)
18	C15352	C15352	OUTER WHEEL BEARING (FRONT)
19	GHK1025	N.A.	FRONT WHEEL BEARING KIT (INC. 16,17 & 18)



ALL SALOON MODELS (PRE 1970)

SUSPENSION

No.	MER No.	JAGUAR No.	DESCRIPTION
1	82/1019	C20989	'KONI' FRONT SHOCK ABSORBERS
2	82/1044	C14587	'KONI' REAR SHOCK ABSORBERS
3	C16954	C16954	FRONT COIL SPRING (3.4 & 3.8 MK2)
4	C10791/2	C10791/2	REAR ROAD SPRINGS (NOT 'S' TYPE OR 420)
5	C8939*	C8939	EYE BUSH ON SPRING
6	C10844	C10844	CENTRE PAD ON SPRING (4 PER CAR)
7	C10843	C10843	MOUNTING PAD AT FRONT OF SPRING
8	C8949	C8949	TORQUE ARM BUSHES
9	C10995	C10995	PANHARD ROD BUSH (4 PER CAR)
10	C11996	C11996	ADJUSTING END FOR PANHARD ROD
11	C11042	C11042	OUTER WASHER FOR ABOVE (4 PER CAR)
12	C11043	C11403	INNER WASHER FOR ABOVE (4 PER CAR)
13	C11048	C11048	DISTANCE TUBE FOR ABOVE (2)
14	C14802	C14802	CHROME WIRE WHEEL (CURLY TYPE) STAINLESS SPOKES
15	C28044	C28044	CHROME WIRE WHEEL (EASY CLEAN) STAINLESS SPOKES
16	C13094/5	C13094/5	REAR SPLINED HUB (MK1 & 2)
17	C19225/6	C19925/6	FRONT SPLINED HUB (MK1, 2, 'S', 420 & V8)
18	C20889/90	C20889/90	REAR SPLINED HUB ('S' & 420)
19	C21983	C21983	RIMBELLISHER (ALL MODELS PRESSED WHEELS)
20	C3243A	C3243	HUB CAP (EARLY MODELS WITH PRESSING)
21	C27134	C27134	HUB CAP (LATER MODELS WITH SEPARATE MOTIF)
22	C1102/C1103	C1102/C1103	RH/LH EARED SPINNERS

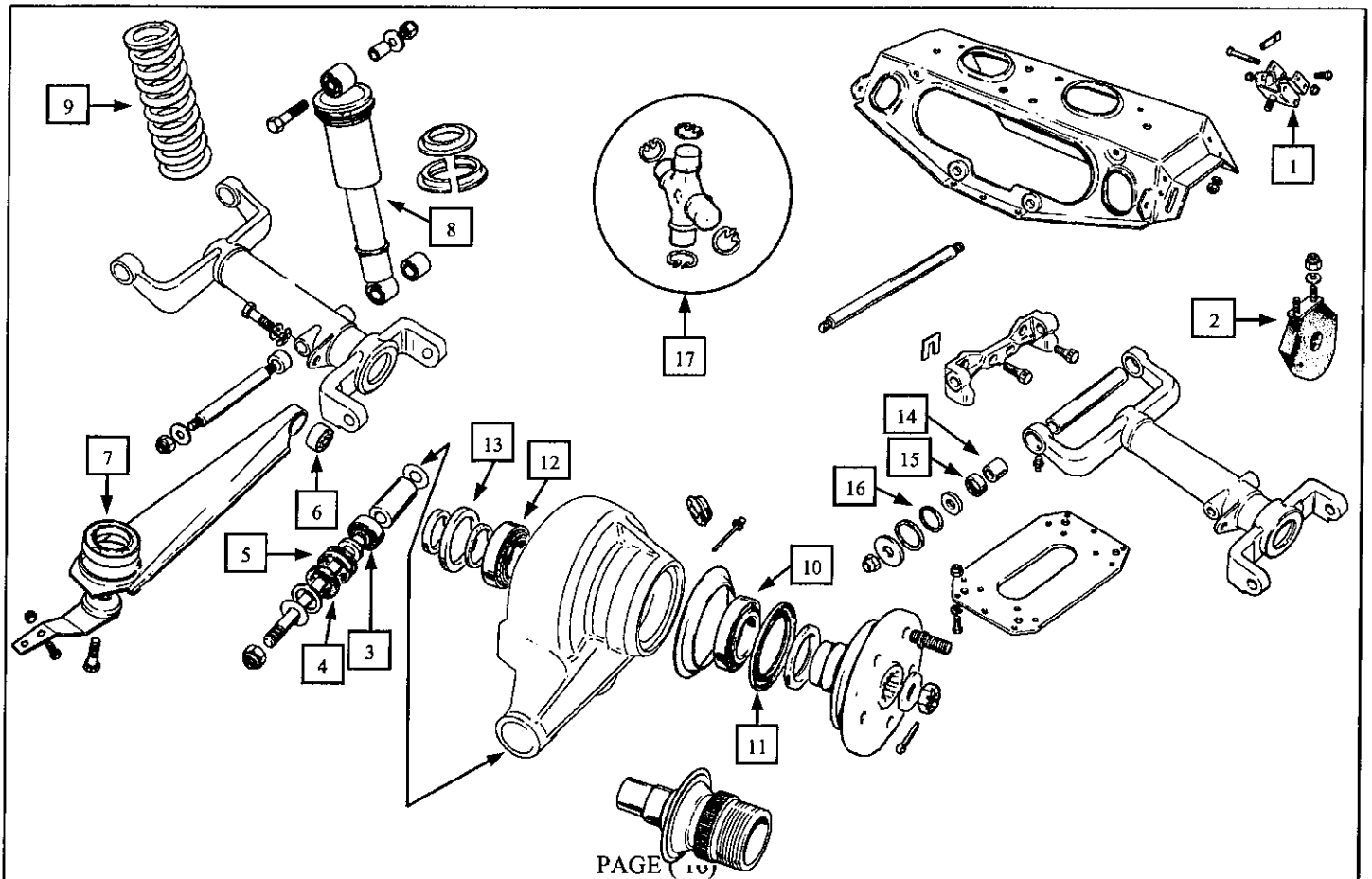


SALOON MODELS (WITH I.R.S.)

REAR SUSPENSION

No.	MER No.	JAGUAR No.	DESCRIPTION
1	C17198*	C17198	REAR CRADLE MOUNT (<i>NOT MK10/420G</i>)
2	C40158*	C17202	BUMP STOP RUBBER
3	C16029	C16029	HUB BEARING
4	C20178	C20178	FELT SEAL ON OUTER FULCRUM SHAFT
5	C20179	C20179	CONTAINER FOR OIL SEAL
6	C17146	C17146	FORWARD RADIUS ARM BUSH
7	C23782	C23782	REAR RADIUS ARM BUSH
8	80/1572	C22847	REAR SHOCK ABSORBER (<i>KONI</i>) ('S'/420)
9	C23167	C23167	REAR SPRING ('S'/420)
10	C19066	C19066	OUTER HUB BEARING
11	C19068	C19068	OUTER HUB BEARING OIL SEAL (<i>EARLY TYPE</i>)
11	C24789	C24789	OUTER HUB BEARING OIL SEAL (<i>LATE TYPE</i>)
12	C15230	C15230	INNER HUB BEARING
13	C15231	C15231	INNER HUB BEARING OIL SEAL
14	C17168/1	C17186/1	BEARING TUBE ON INNER FULCRUM SHAFT
15	C17167	C17167	ROLLER BEARING ON INNER FULCRUM SHAFT
16	C17213*	C17213	OIL SEAL ON ROLLER BEARING
17	JLM9639*	11948	HALF SHAFT UNIVERSAL JOINT

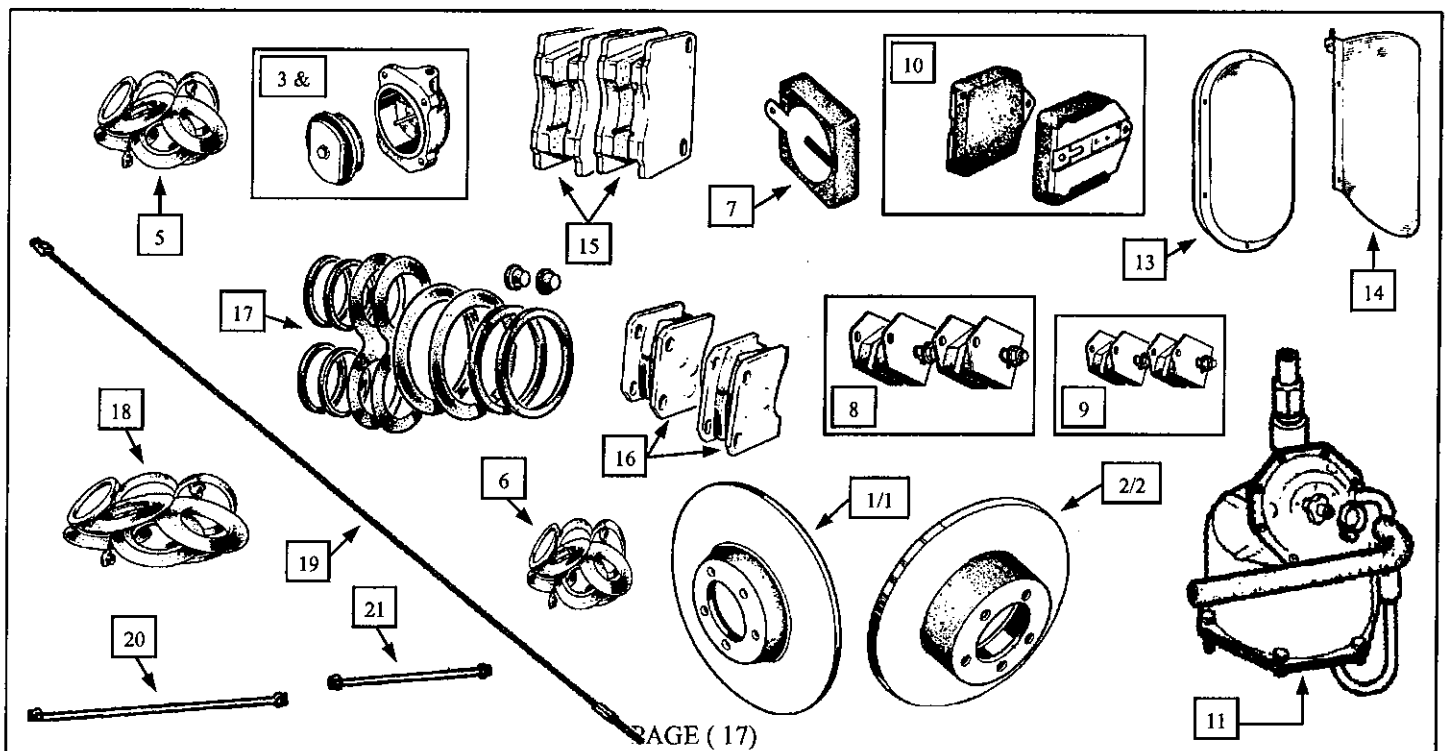
MANY OTHER SUSPENSION ITEMS ALSO AVAILABLE



MK2, V8 DAIMLER, 'S' TYPE, 420

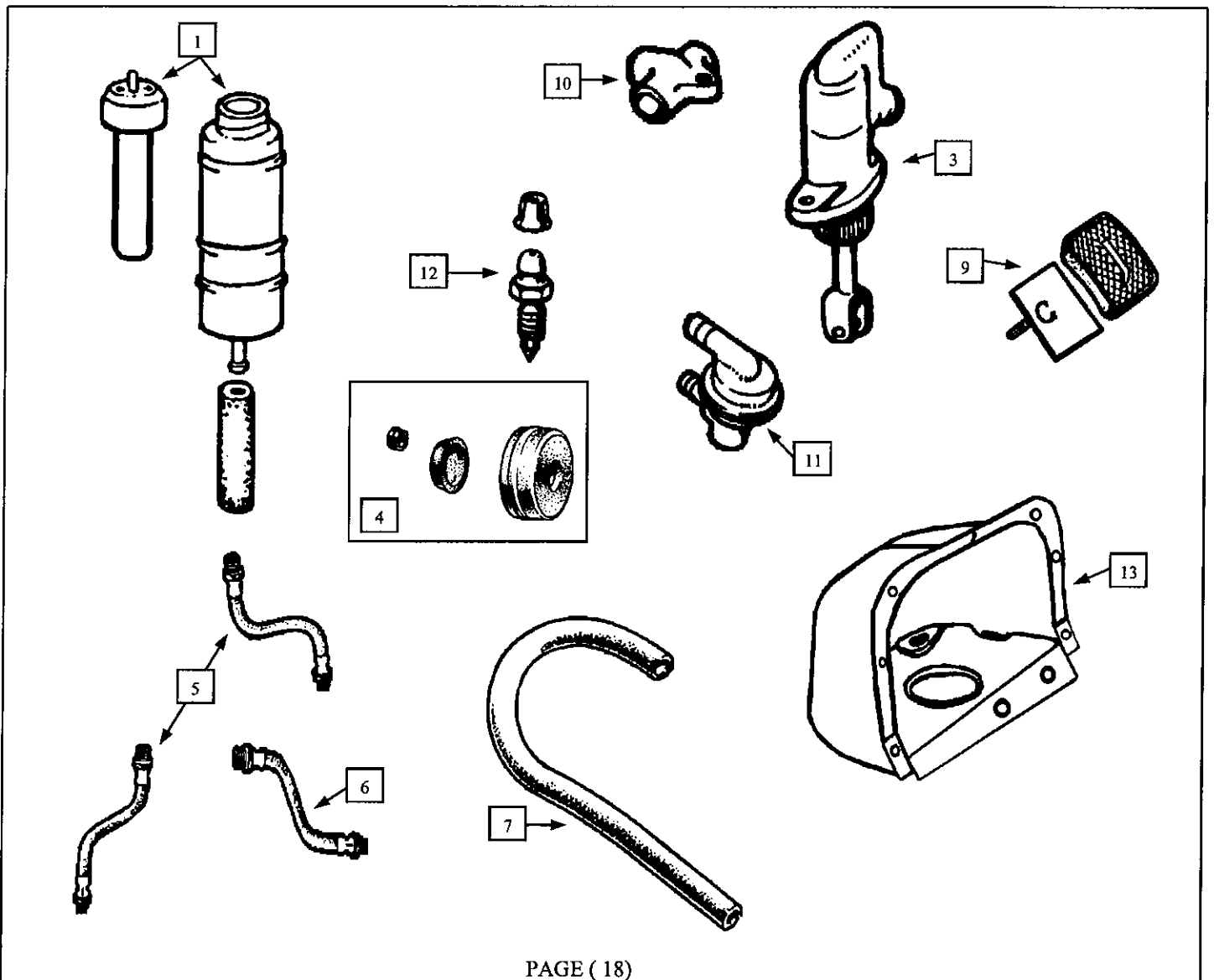
BRAKES

No.	MER No.	JAGUAR No.	DESCRIPTION
1	C23484	C23484	FRONT DISC (NOT 420)
1A	C27024*	C27024	FRONT DISC (420)
2	C13065	C13065	REAR DISC (NOT 'S' TYPE OR 420)
2A	C26779	C26779	REAR DISC (420 & 'S' TYPE)
3	8777*	8777	PISTON CYLINDER ASSY FRONT (NOT 420 & 'S' TYPE)
4	8816*	8816	PISTON CYLINDER ASSY REAR (NOT 420 & 'S' TYPE)
5	12319	12319	FRONT CYLINDER SEALS (NOT 'S' TYPE & 420)
6	12604*	12604	REAR CYLINDER SEALS (NOT 'S' TYPE & 420)
7	10821	10821	FRONT & REAR BRAKE PADS (NOT 'S' TYPE & 420) (4 PER SET)
8	8522	8522	HANDBRAKE PADS (4 PER SET) (NOT 'S' TYPE & 420)
9	10531	10531	HANDBRAKE PADS (4 PER SET) (420 & 'S' TYPE)
10	10103	10103	FRONT & REAR BRAKE PADS ('S' TYPE) (4 PER SET)
11	C19612R	C19612R	EXCHANGE SERVO ASSY (MK2, DAIMLER & 'S' TYPE)
12	C24707R	C24707	EXCHANGE SERVO ASSY ('S' TYPE LATE)
13	C24910	C24910	VACUUM TANK
14	C24913	C24913	VACUUM TANK SHIELD
15	GBP208	11367	FRONT BRAKE PADS (420)
16	GBP209	11373	REAR BRAKE PADS (420)
17	11371*	11371	FRONT CALIPER KIT (420 & 'S') 3 POT TYPE
18	11376	11376	REAR CALIPER KIT (420 & 'S')
19	C15512	C15512	HANDBRAKE CABLE (FRONT TO REAR) MK2
20	C19496	C19496	HANDBRAKE CABLE ON AXLE (LONG) MK2
21	C19495	C19495	HANDBRAKE CABLE ON AXLE (SHORT) MK2



ADDITIONAL BRAKE FITTINGS & CONTROLS

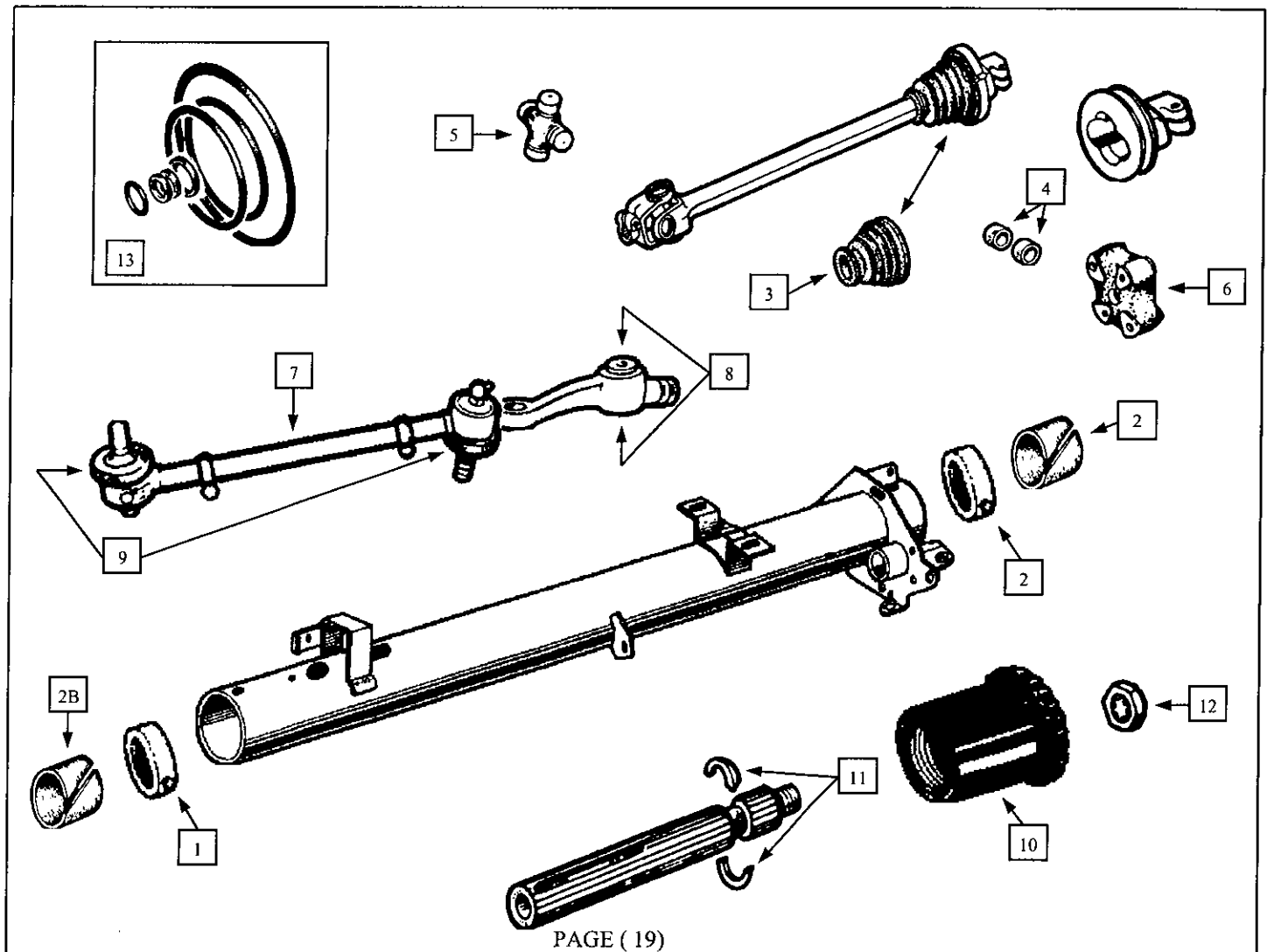
No.	MER No.	JAGUAR No.	DESCRIPTION
1	C23638	C23638	BRAKE FLUID RESERVOIR BOTTLE AND CAP
2	C23632	C23632	CAP AND LEVEL INDICATOR FOR RESERVOIR
3	11977	C25425	BRAKE MASTER CYLINDER ASSEMBLY
4	8250	8250	REPAIR KIT FOR MASTER CYLINDER
5	C13686*	C13686	FLEXIBLE HOSE TO FRONT BRAKES (2 PER CAR)
6	C13687*	C13687	FLEXIBLE HOSE TO REAR BRAKES
7	C17494M	C14963orC27025/5	VACUUM PIPE TO VACUUM TANK AND SERVO
8	C20072M	C20072/11	HOSE FROM BRAKE AND CLUTCH RESERVOIRS
9	C8969	C8969	BRAKE PEDAL RUBBER PAD (MANUAL ONLY)
10	C13685	C13685	3 WAY UNION ON REAR AXLE
11	C27306	C27306	CHECK VALVE ASSEMBLY ON RESERVAC TANK
12	6911	6911	BLEED SCREW AND BALL BEARING
13	BD29992	BD29992	BRAKE SERVO SHIELD (NOT 'S' TYPE/420)



ALL SALOON MODELS PRE 1970

STEERING

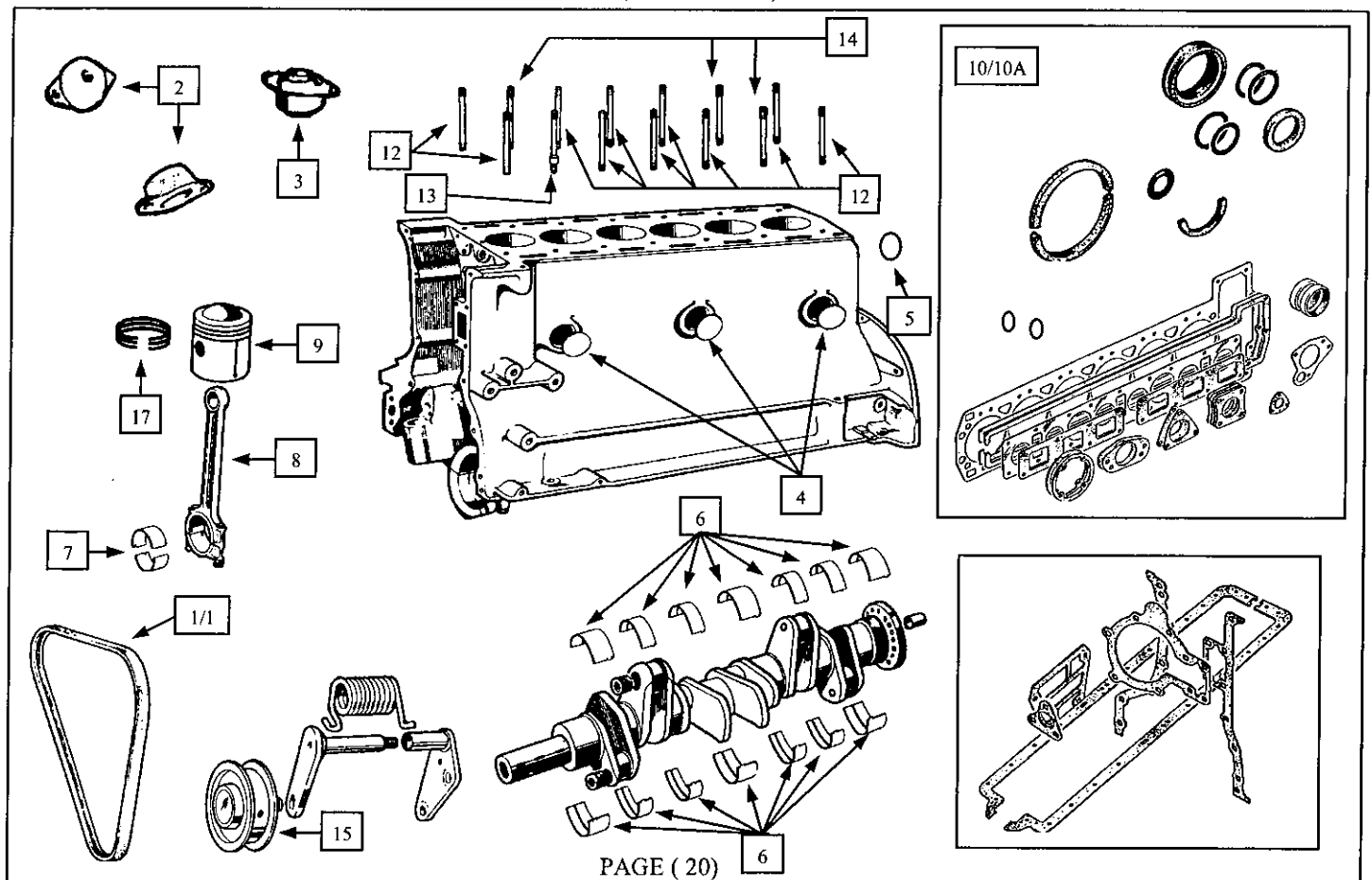
No.	MER No.	JAGUAR No.	DESCRIPTION
1	C23592	C23592	BOTTOM COLUMN BUSH (TO REPLACE FELT)
2	C23593	C23593	TOP COLUMN BUSH (TO REPLACE FELT)
2A	C20149*	C13853	FELT BEARING (TOP)
2B	C10264	C13855	FELT BEARING (BOTTOM)
3	9616	9616	STEERING COLUMN RUBBER GAITER
4	9614	9614	NYLON ROLLERS UNDER GAITER (2 PER CAR)
5	5426	5426	UPPER/LOWER COLUMN UNIVERSAL JOINTS
6	C16432	C16432	COUPLING
7	C22678/1*	C22678/1	OUTER TIE ROD ASSEMBLY LH/RH
8	C17099	C17099	PIN AND BUSH (IN CENTRE TIE ROD ENDS)
9	EAW2270J*	EAW2270J	GAITER FOR OUTER TIE ROD ENDS
10	C40029	C15419	LOCKNUT ON UPPER COLUMN
11	C7878*	C7878	SPLIT CONE ON UPPER COLUMN (2 HALVES)
12	C7879	C7879	STEERING WHEEL LOCK NUT
13	11027	11027	POWER STEERING SEAL KIT



ALL SALOON MODELS

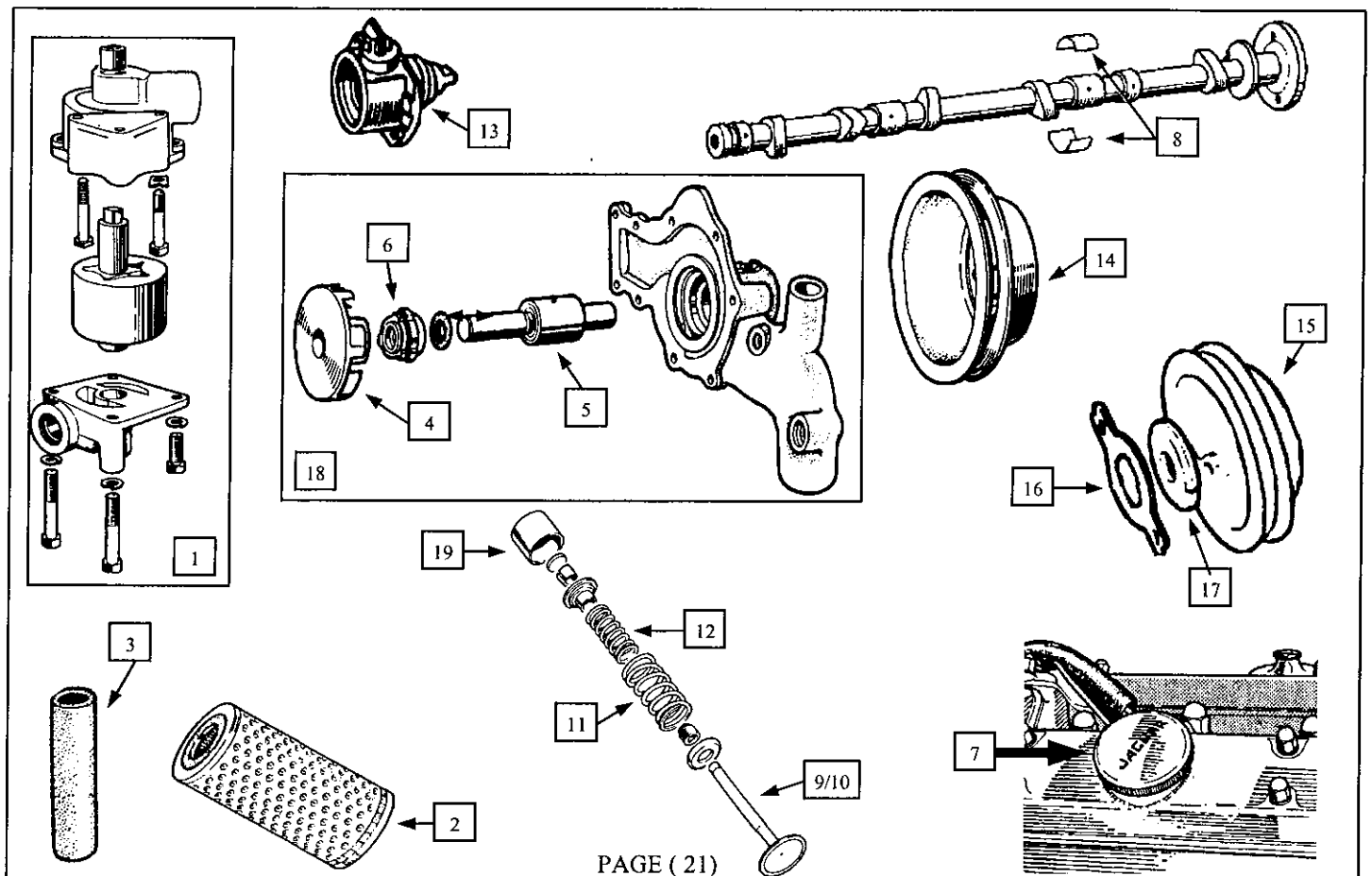
ENGINE

No.	MER No.	JAGUAR No.	DESCRIPTION	
1	C19525	C19525	DUPLEX FAN BELT (3.4/3.8 MK2 & 'S' TYPE)	
1A	GFB156	C19523	DUPLEX FAN BELT (2.4 MK2/240)	
2	C18556*	C18556	ENGINE MOUNTING	
3	C20218	C20218	REAR STABILISING LINK MOUNTING	
4	C315*	C315	CORE PLUG (7 PER CAR) (MK2)	
5	C317*	C317	CORE PLUG (MK2)	
6	RTC1723	C2315/7	MAIN BEARING (STD -.010", -.020", -.030")	FROM
7	RTC2507	C5893	BIG END BEARING (STD -.010", -.020", -.030")	FROM
8	C17164	C17164	SMALL END BUSH	
9	PISTONS	N.A.	8:1/9:1 COMPRESSION, STD, +.010", +.020" & +.030" O/SIZE	
10	CE532	N.A.	3.4 HEAD SET (GASKETS/SEALS)	
10A	CE541	N.A.	3.8 HEAD SET (GASKETS/SEALS)	
11	EE532	N.A.	2.4, 3.4 & SUMP SET (GASKETS/SEALS)	
12	C29035	C2269	HEAD STUDS (13 ON 3.4/3.8) (10 ON 2.4)	
13	C23610*	C2270	HEAD STUD (1 ON 2.4/3.4/3.8)	
14	C23609	C23609	HEAD STUD (3 ON 2.4) (420 & 'S' TYPE AS 2.4 STUDS)	
15	C19521R	C19521	JOCKEY PULLEY ON FAN BELT	
16	C2226	C2226	BUSH IN REAR OF CRANK SHAFT	
17	C21707/8/9	C21707/8/9	PISTON RING SETS (6 SETS PER CAR)	



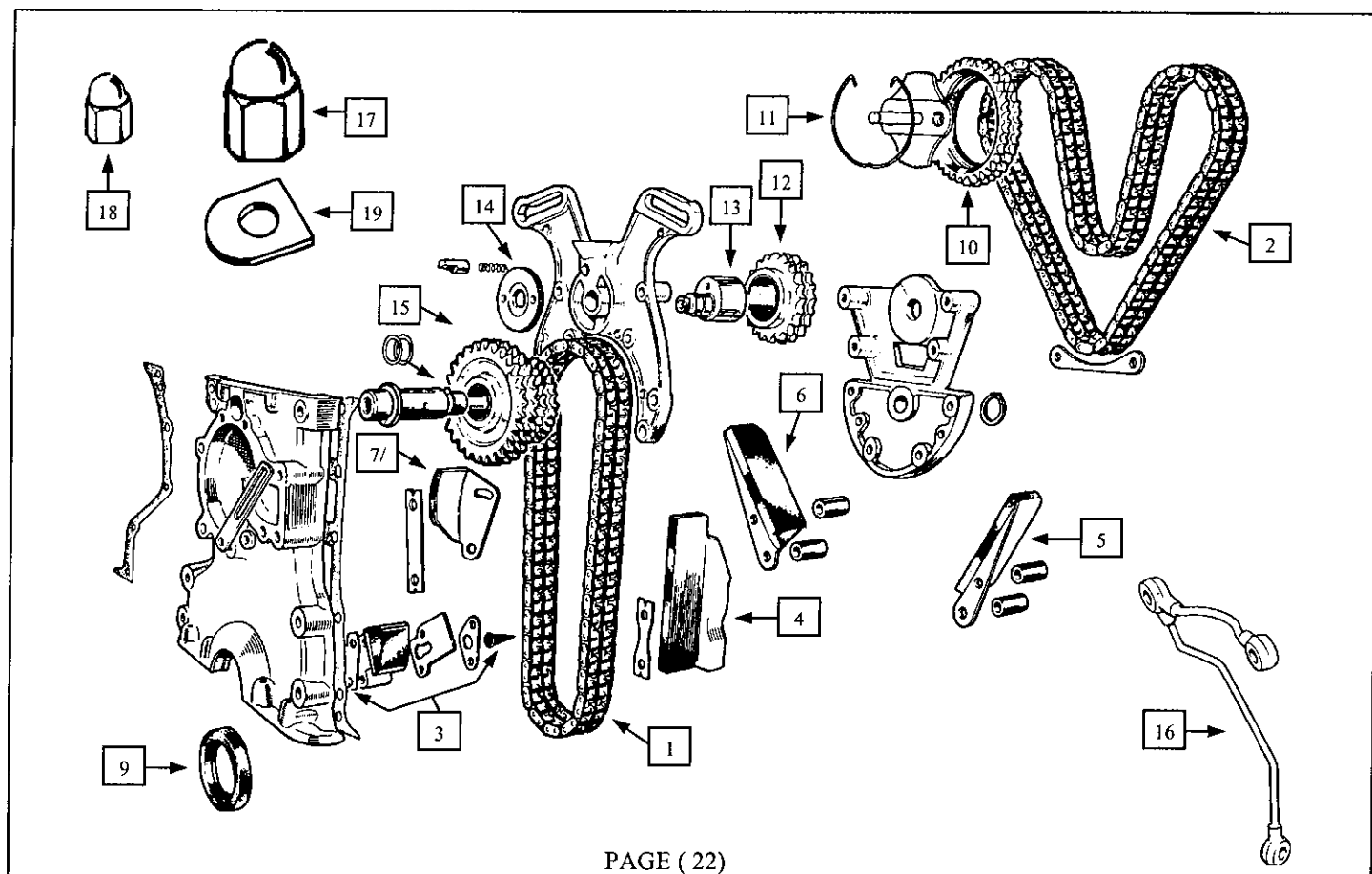
ALL SALOONS CYLINDER HEAD & ENGINE FITTINGS

No.	MER No.	JAGUAR No.	DESCRIPTION
1	C21765/2*	C17655	OIL PUMP COMPLETE
2	JLM9544	1526	OIL FILTER
3	C20552	C12861	OIL HOSE (<i>BETWEEN CLEANER/SUMP</i>)
4	C22798	C7675	WATER PUMP IMPELLOR
5	C8167/1	C8167	WATER PUMP SPINDLE
6	C6773	C6773	WATER PUMP SEAL
7	C1022	C1022	OIL FILLER CAP (<i>JAGUAR ENGRAVED</i>)
8	RTC2347*	C2288	CAM SHAFT BEARINGS
9	EAC1547*	C12444	INLET VALVE
10	EAC1548*	C7708	EXHAUST VALVE
11	C7136	C7136	OUTER VALVE SPRINGS (<i>12 PER CAR</i>) (<i>O.E.</i>)
12	C7137	C7137	INNER VALVE SPRINGS (<i>12 PER CAR</i>) (<i>O.E.</i>)
13	C14996	C14996	REC VOUNTER GENERATOR
14	C20176	C20176	WATER PUMP PULLEY
15	C19517	C19517	CRANK PULLEY
16	C2467	C2467	TAB WASHER ON END OF CRANK
17	C2468	C2468	WASHER AT END OF CRANK (<i>UNDER TAB WASHER</i>)
18	C15694R	C15694R	RE-CONDITIONED WATER PUMP
19	EBC8110*	C44010	VALVE TAPPET



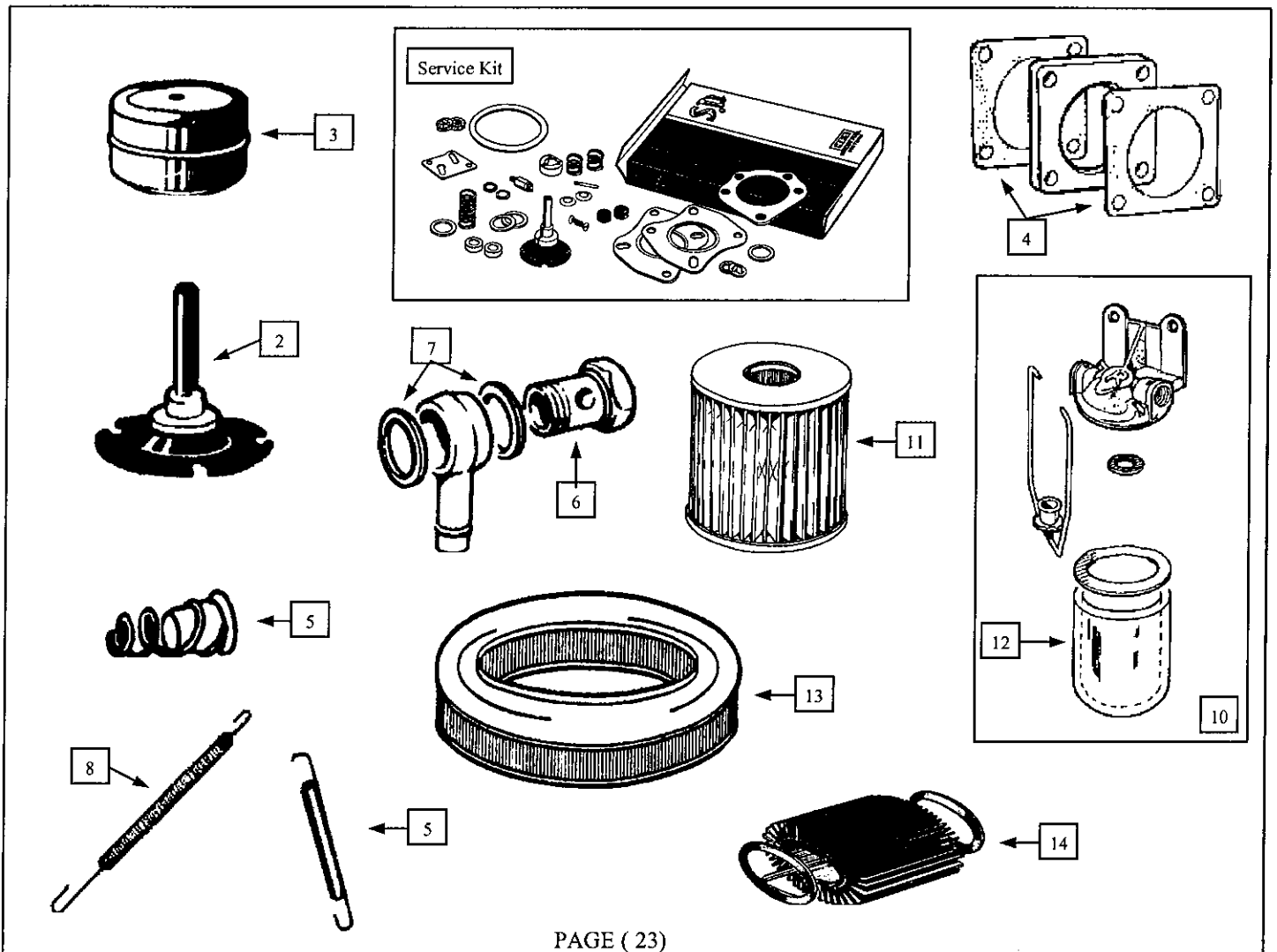
ALL SALOON ENGINE FITTINGS & TIMING GEAR

No.	MER No.	JAGUAR No.	DESCRIPTION
1	C2255	C2255	BOTTOM TIMING CHAIN (ORIGINAL)
2	C2256	C2256	TOP TIMING CHAIN (ORIGINAL)
3	EAC3629*	C10332	HYDRAULIC TENSIONER (ORIGINAL)
4	C13614/1*	C13614/1	VIBRATION DAMPER (LOWER CHAIN) (ORIGINAL)
5	C13616*	C13616	LH UPPER CHAIN DAMPER (ORIGINAL)
6	C13617*	C13617	RH UPPER CHAIN DAMPER (ORIGINAL)
7	C13615/1	C13615/1	INTERMEDIATE DAMPER (LOWER CHAIN)
8	C21815	C21815	INTERMEDIATE DAMPER (LOWER CHAIN) (ORIGINAL)
9	C24611/2	C8593	CRANK SHAFT OIL SEAL ON TIMING COVER
10	C24686	C24686	SPROCKET FOR CAMSHAFTS (2 PER CAR)
11	C30767	C30767	CIRCLIP INSIDE ABOVE (2 PER CAR)
12	C26740	C26740	IDLER SPROCKET ASSY BETWEEN MTG. BKTS.
13	C27189	C27189	ECCENTRIC SHAFT THROUGH IDLER SPROCKET
14	C4404	C4404	ADJUSTMENT PLATE FOR UPPER TIMING CHAIN
15	C25275	C25275	INTERMEDIATE SPROCKET FOR UPPER/LOWER CHAINS
16	C25619	C25619	OIL FEED PIPE ON CYLINDER HEAD
17	C2328	C2328	CYLINDER HEAD DOME NUT (14 PER CAR)
18	C2327	C2327	CAM COVER DOME NUT (22 PER CAR)
19	C2385	C2385	'D' WASHER UNDER HEAD NUTS (6 PER CAR)



CARBURETTORS & FILTRATION

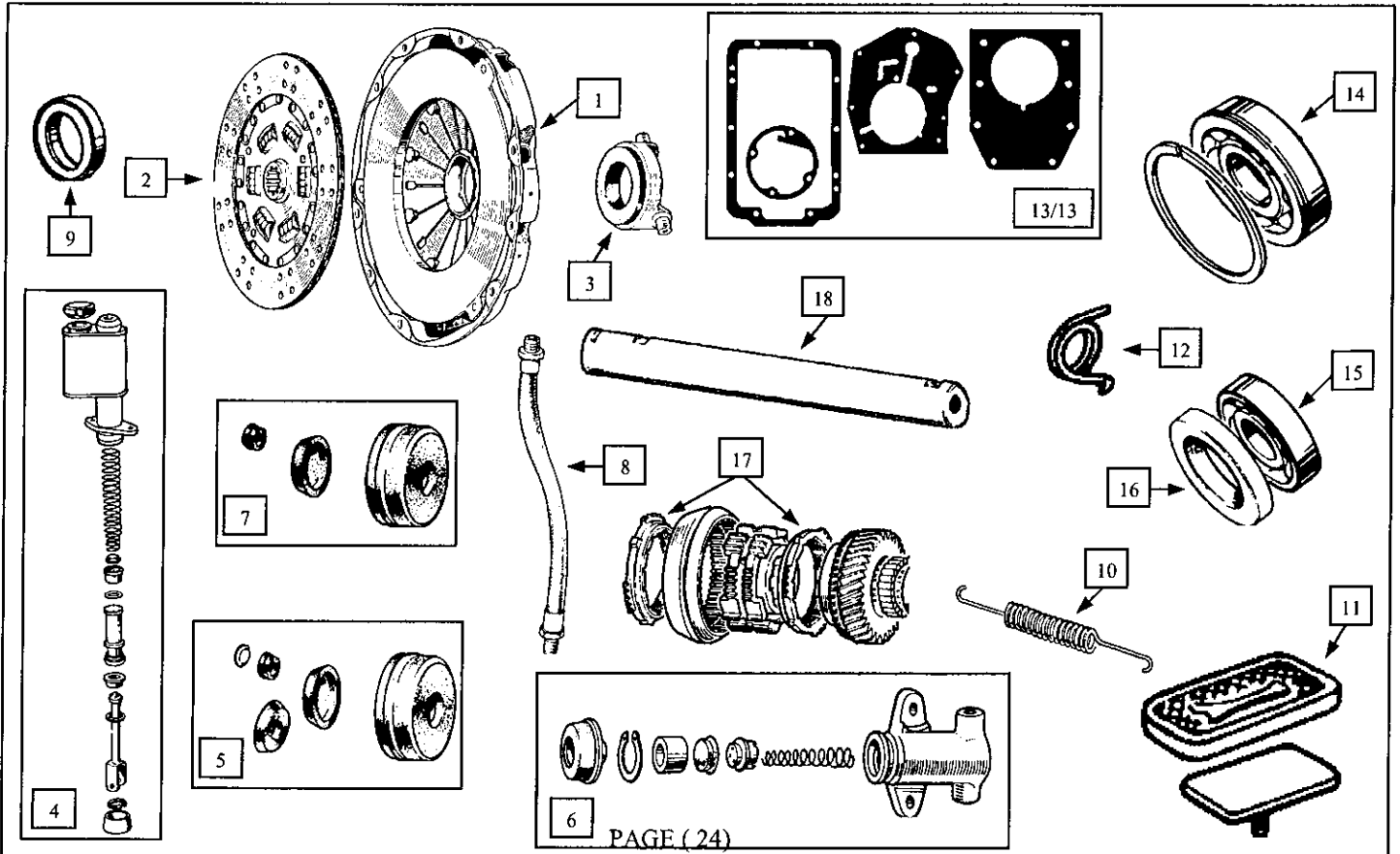
No.	MER No.	JAGUAR No.	DESCRIPTION
1	CSK37	CSK37	CARBURETTOR REPAIR KIT (<i>INC. JET-DIAPHRAGM</i>)
2	AUC8155J*	6957	JET-DIAPHRAGM ASSEMBLY
3	AUC1123	1090	BRASS FLOAT ASSEMBLY
4	C7221	C7221	GASKETS AT EITHER SIDE OF INSULATORS ON CARB
5	AUC2139	479	FILTER IN FLOAT CHAMBER LID
6	AUC2141	C11489	FIBRE WASHER ON BANJO BOLT
7	C11488	C11488	BANJO BOLT SECURING FEED PIPE
8	C13355/1	C13355	THROTTLE RETURN SPRING (<i>LINKAGE TO OIL CLEANER</i>)
9	C15587	C14366	THROTTLE RETURN SPRING (<i>FRONT CARB TO ANCHOR BKT</i>)
10	C27588	C27588	PETROL FILTER ASSEMBLY
11	C28080*	C28080	FILTER ELEMENT FOR ABOVE
12	236891	7300	GLASS BOWL ON FILTER ASSEMBLY
13	GFE1034	C16484	AIR FILTER ELEMENT (<i>FIRST TYPE</i>)
14	C19530*	C19530	AIR FILTER ELEMENT (<i>SECOND TYPE</i>)



CLUTCH UNIT, CONTROLS & GEARBOX

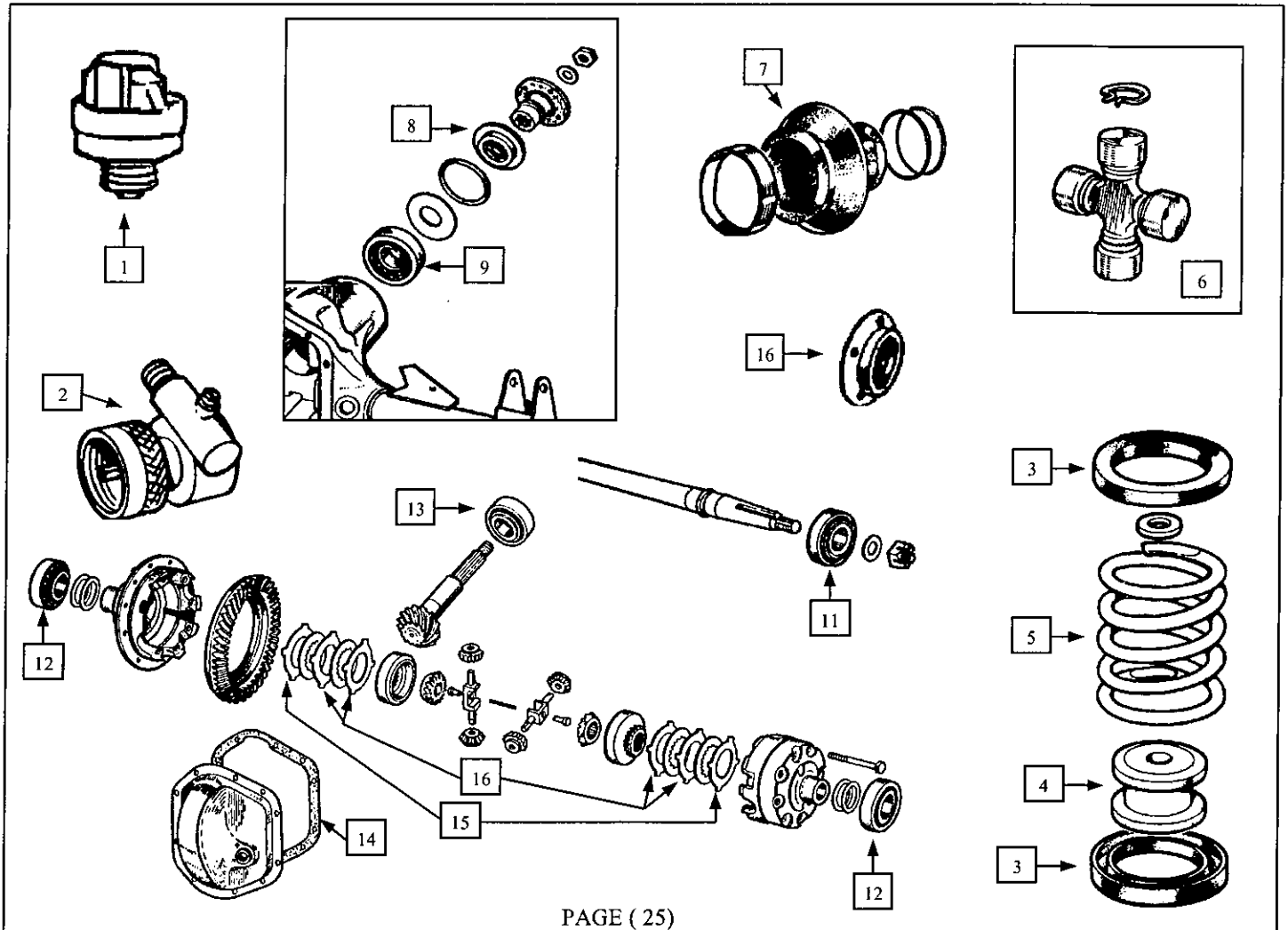
No.	MER No.	JAGUAR No.	DESCRIPTION
1	C16173	C16173	CLUTCH COVER ASSEMBLY <i>(EXCHANGE)</i>
2	GCP117	7643	CLUTCH DRIVEN PLATE
3	2590	2590	RELEASE BEARING AND CUP ASSEMBLY
4	C20526	C20526	CLUTCH MASTER CYLINDER ASSEMBLY
5	8G8424J	6593	REPAIR KIT FOR MASTER CYLINDER
6	C29801	C29801	CLUTCH SLAVE CYLINDER ASSEMBLY
7	KL71590	8593	REPAIR KIT FOR SLAVE CYLINDER
8	C11603	C11603	FLEXIBLE HOSE BETWEEN HYDRAULIC PIPES
9	C18739	C18739	OIL SEAL ON BELL-HOUSING FOR PRIMARY SHAFT
10	C5120	C5120	RETURN SPRING FOR CLUTCH OPERATING FORK
11	C8969	C8969	RUBBER PEDAL PAD
12	C8966	C8966	CLUTCH PEDAL RETURN SPRING
13	GBGKIT	KIT	GEARBOX GASKET KIT <i>(4.2 ALL SYNCHRO)</i>
13A	GBGKITE	KIT	GEARBOX GASKET KIT <i>(EARLY TYPE)</i>
14	C20491	C20491	BEARING FOR CONSTANT PINION SHAFT
15	C1845/1	C1845/1	BEARING FOR MAIN SHAFT
16	C23394	C23394	OIL SEAL AT END OF REAR COVER
17	C22391	C22391	SYNCHRO RING <i>(4 PER GEARBOX)</i>
18	C39665	C25437	COUNTERSHAFT <i>(O.E.)</i>

MANY OTHER GEARBOX ITEMS ALSO AVAILABLE



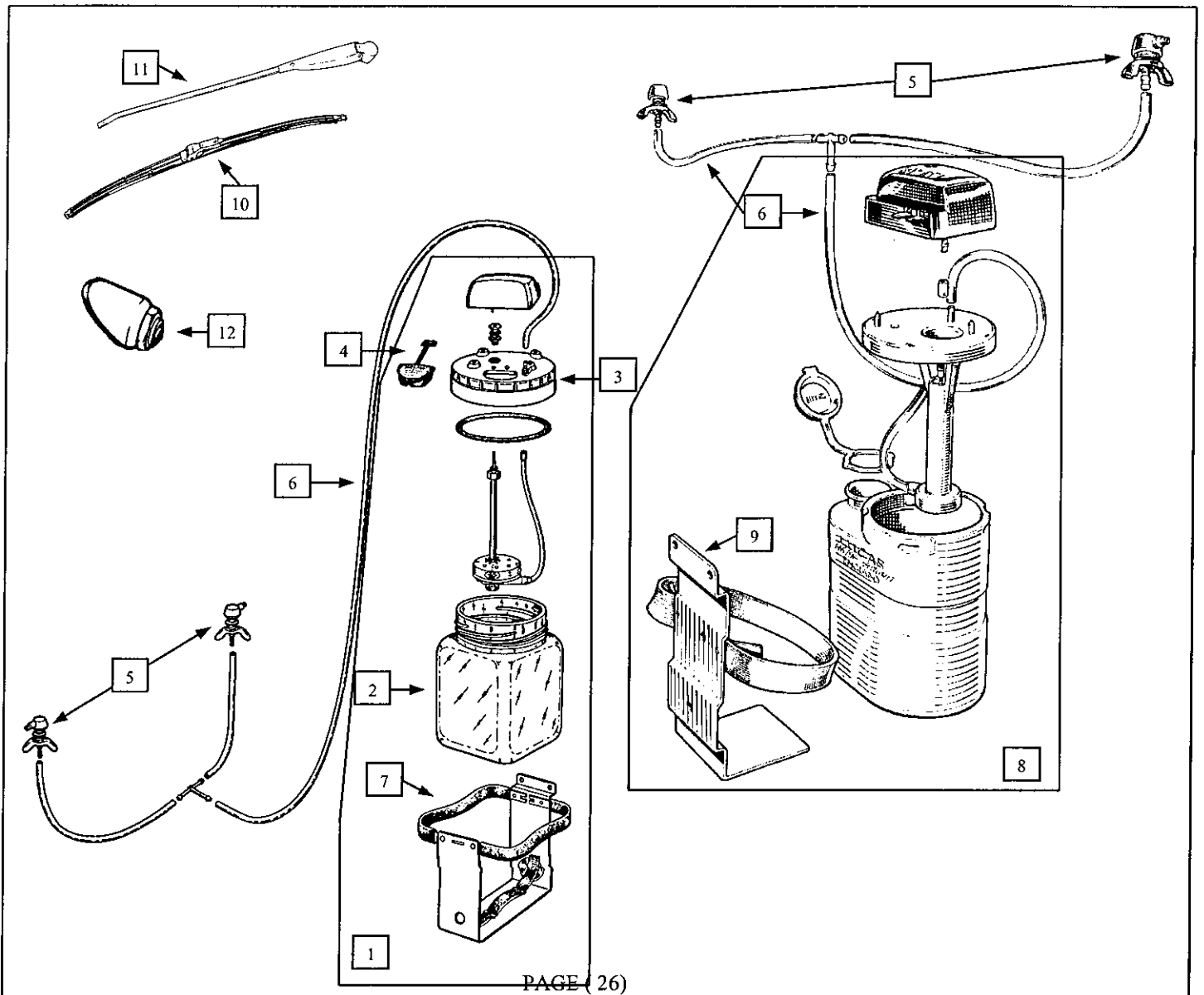
GEARBOX FITTINGS, PROP-SHAFT & REAR AXLE

No.	MER No.	JAGUAR No.	DESCRIPTION
1	DAC3844*	C1083	REVERSE LIGHT SWITCH
2	C25547	C22547	RIGHT ANGLED DRIVE FOR SPEEDOMETER
3	CBC2517*	C12335	SPRING SEATING RUBBER ON GEARBOX MOUNTING
4	C12265	C12265	CENTER BUSH ON GEARBOX MOUNTING
5	C12299	C12299	SPRING ON GEARBOX MOUNTING
6	JLM823*	10065	PROP SHAFT UNIVERSAL JOINT
7	JLM1543	9411	GAITER ON PROP SHAFT SPLINE
8	3840*	3840	PINION OIL SEAL ON DIFF. CASE
9	3843	3843	PINION BEARING ON DIFF. CASE
10	7953	7953	OIL SEAL ON OUTPUT SHAFT FOR HUB BEARING
11	7993	7993	ROLLER BEARING ON OUPUT SHAFT FOR HUB
12	3845	3845	ROLLER BEARING (<i>OUTPUT</i>) ON DIFF. CASE
13	3844	3844	ROLLER BEARING (<i>INPUT</i>) ON DIFF. CASE
14	3931*	3931	DIFF. COVER GASKET
15	RTC1350/A	8397	FRICTION PLATE FOR DIFF. CLUTCH (<i>DISHED</i>) (2 PER CAR)
16	RTC1349/A	7683	FRICTION PLATE FOR DIFF. CLUTCH (<i>FLAT</i>) (4 PER CAR)



WINDSCREEN WASHER BOTTLES & FITTINGS

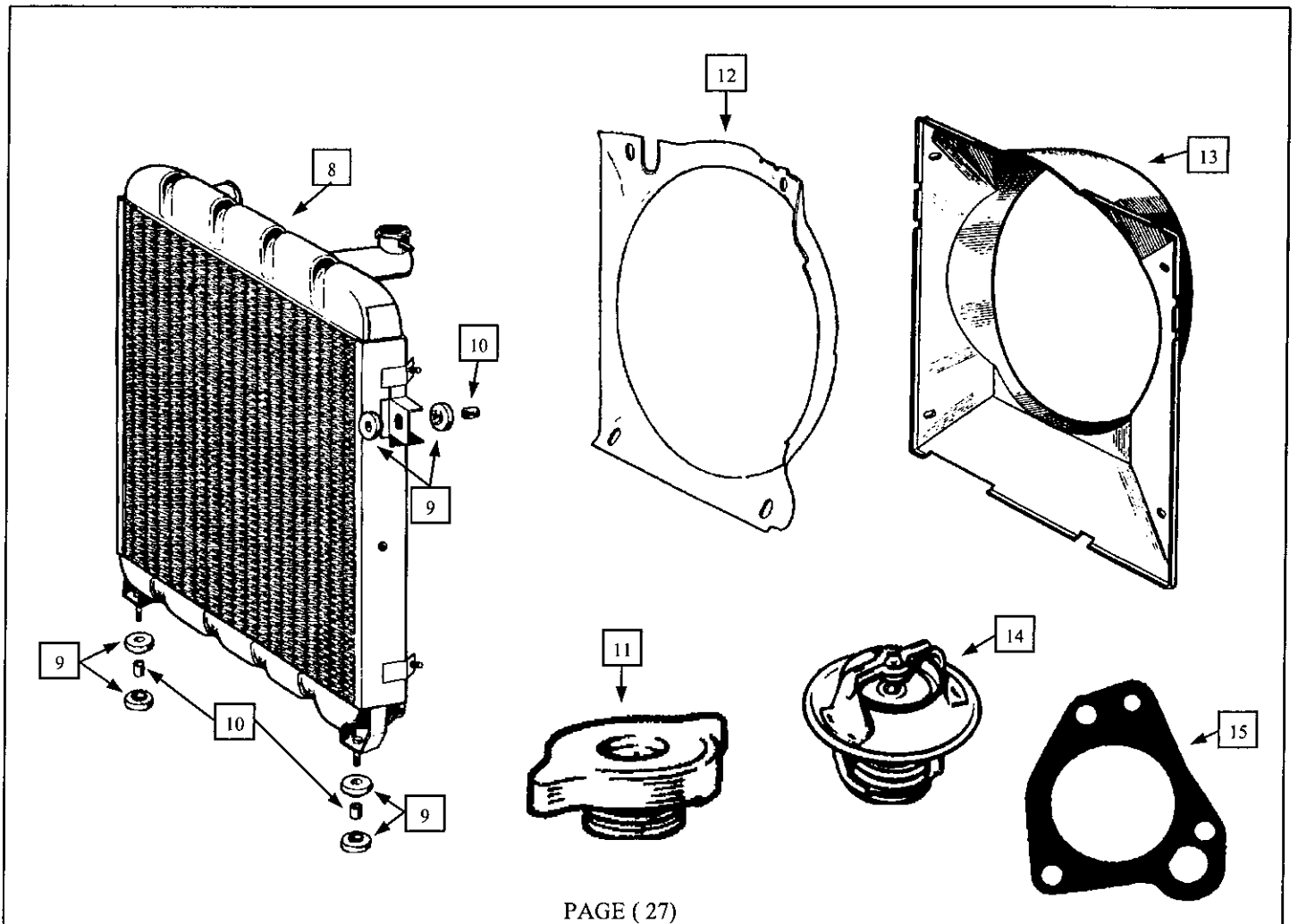
No.	MER No.	JAGUAR No.	DESCRIPTION
1	C17004	C17004	WASHER BOTTLE AND BRACKET ASSEMBLY (GLASS)
2	8040	8040	WASHER BOTTLE ONLY (GLASS)
3	8036	8036	WASHER BOTTLE LID LESS FILLER BUNG
4	8038	8038	RUBBER FILLER BUNG IN LID
5	C15645	C15645	WASHER JETS (CHROME) (2 PER CAR)
6	C15643/1	C15643/1	WASHER TUBE (CLEAR PLASTIC) (PER FOOT)
7	8041/R	8041	RUBBER STRIP ON BOTTLE BRACKET (EARLY TYPE ONLY)
8	C25438	C25438	WASHER BOTTLE AND BRACKET ASSEMBLY (PLASTIC)
9	514223	11086	MOUNTING BRACKET FOR 'C25438' BOTTLE
10	10232	8183	WINDSCREEN WIPER BLADE (STAINLESS STEEL)
11	10079/10080	8697/8698	RHD/LHD WIPER ARM (STAINLESS STEEL)
12	7767	7767	WIPER ESCUTCHEON ON BULKHEAD



ALL MODELS COOLING SYSTEM

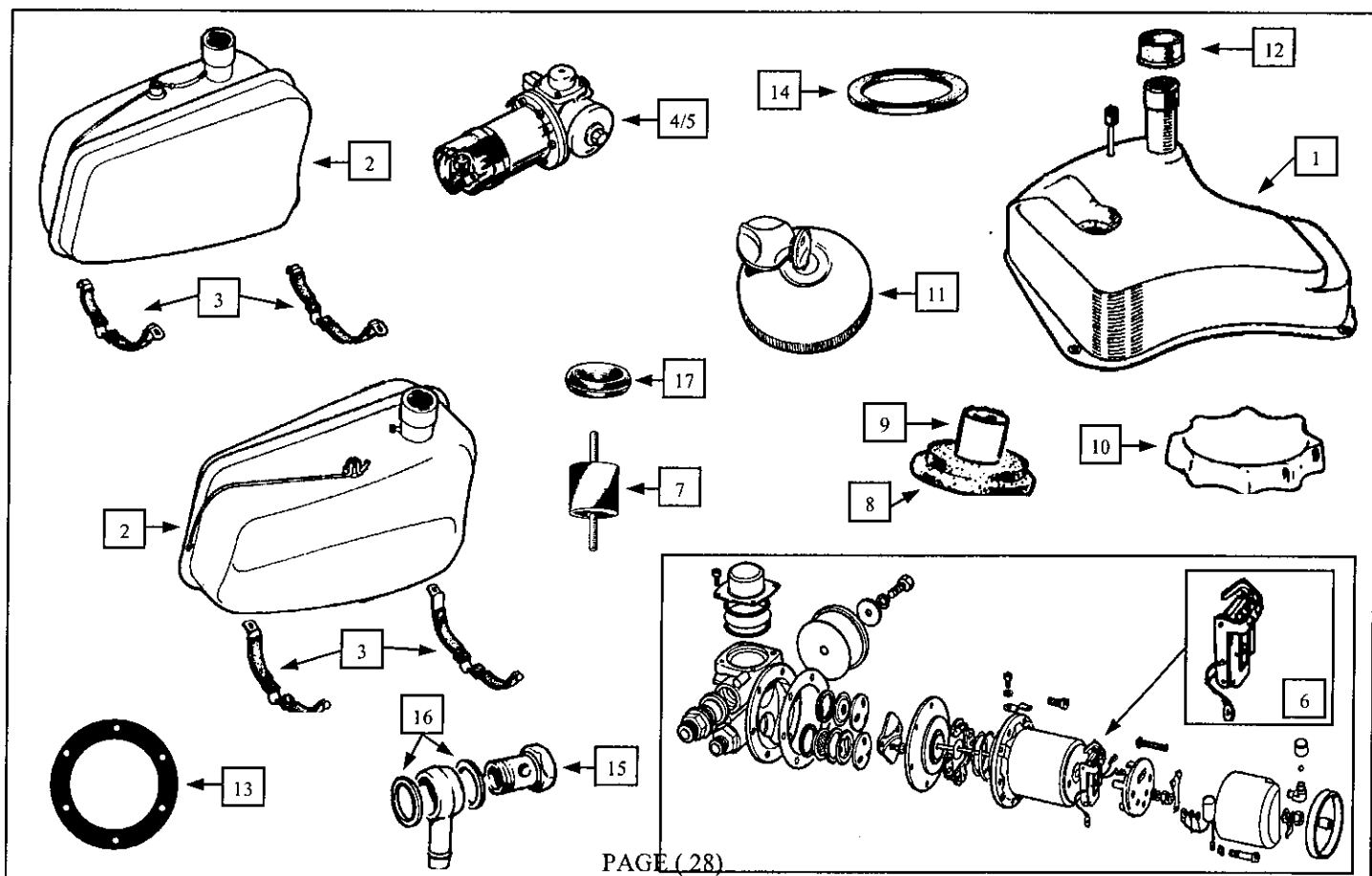
No.	MER No.	JAGUAR No.	DESCRIPTION
1	MK2HOSEKIT	N.A.	COMPLETE HOSE KIT (NOT 2.4,240 OR 340)
2	240HOSEKIT	N.A.	COMPLETE HOSE KIT (240)
3	24HOSEKIT	N.A.	COMPLETE HOSE KIT (2.4)
4	340HOSEKIT	N.A.	COMPLETE HOSE KIT (340)
5	V8HOSEKIT	N.A.	COMPLETE HOSE KIT (V8 2 1/2 / 250)
6	SHOSEKIT	N.A.	COMPLETE HOSE KIT (S TYPE)
7	420HOSEKIT	N.A.	COMPLETE HOSE KIT (420)
8	C27105	C12672	MK2 RADIATOR (RE-CORE) (NON AUTOMATIC)
9	C8975*	C8975	RUBBER PADS MOUNTING RADIATOR (8 PER CAR)
10	C8976	C8976	DISTANCE TUBE FOR ABOVE (4 PER CAR)
11	C18484	C18484	RADIATOR CAP
12	C24965	C24965	MK2/ 'S' TYPE FIBRE GLASS RADIATOR COWL
13	C24964	C24964	DAIMLER V8 FIBREGLASS RADIATOR COWL
14	C27650	C27650	THERMOSTAT
15	EAC7045	C28375	GASKET FOR ABOVE

STAINLESS STEEL HOSE CLIPS AVAILABLE FROM STOCK



ALL MODELS FUEL SYSTEMS

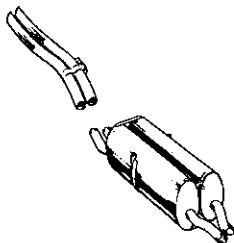
No.	MER No.	JAGUAR No.	DESCRIPTION
1	C17565	C17565	FUEL TANK MK2 & V8
2	C22469/C22470	C22469/C22470	LH/RH FUEL TANK 'S' TYPE & 420
3	BD25253/4	BD25253/4	RHF/LHF FUEL TANK STRAPS ('S' TYPE & 420)
3A	BD25255/6	BD25255/6	RHR/LHR FUEL TANK STRAPS ('S' TYPE & 420)
4	AZX1308	C18336	FUEL PUMP (-ve EARTH) (ALL MODELS)
4A	EPK300	N.A.	FUEL PUMP REPAIR KIT (-ve EARTH) (6 CYL)
5	AZX1319	C9688/1	FUEL PUMP (+ve EARTH) (EARLY MK2 & MK1)
6	AUB6106/J*	6046	CONTACT SET IN FUEL PUMP
7	C24792	C801/C10126	FUEL PUMP MOUNTING RUBBERS
8	C19846	C3053	MOUNTING PAD FOR FUEL TANK (6 PER CAR)
9	C6390	C6390	SPACER TUBE FOR ABOVE (3 PER CAR)
10	C23601/1	C23601	FUEL FILLER CAP NON-LOCKING
11	C12816	C12816	FUEL FILLER CAP LOCKING TYPE
12	BD9898	BD9898	RUBBER HOSE ON FILLER NECK
13	BT2953	C937	SENDER GASKET
14	C26310	C26310	WASHER FOR FILTER SUMP (RUBBER)
15	C11488	C11488	BANJO BOLT FUEL PIPES TO FUEL PUMP
16	AUC2141	C11489	WASHER ON BANJO BOLT
17	C2707	C2707	RUBBER GROMMET IN FLOOR FOR PETROL PIPE



ALL SALOON MODELS STAINLESS STEEL EXHAUST SYSTEMS

No.	MER No.	JAGUAR No.	DESCRIPTION
1	SSJR005	N.A.	MK2 2.4 SINGLE SYSTEM
2	SSJR006	N.A.	240 TWIN SYSTEM
3	SSJR007	N.A.	MKI 3.4 TWIN SYSTEM
4	SSJR008	N.A.	MK2 3.4, 3.8 & 340 SYSTEM
5	SSJR009	N.A.	MKVIII & MKIX EARLY SYSTEM (<i>FIXED FLANGES</i>)
6	SSJR010	N.A.	MKI 2.4 SINGLE SYSTEM
7	SSJR011	N.A.	'S' TYPE & 420 SYSTEM
8	SSJR012	N.A.	V8 2.5 & 250 SYSTEM
9	SSJR013	N.A.	MKIX LATE SYSTEM (<i>LOOSE FLANGES</i>)
10	SSJR014	N.A.	MK10 & 420G SYSTEM
11	SSJR030	N.A.	DAIMLER DART & SP 250 SYSTEM

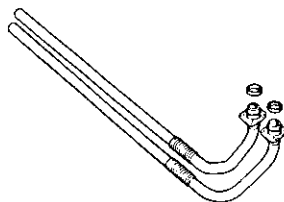
Why not let us fit your new Double 'S' Exhaust System?



All Jaguar systems are supplied with clamps and mountings where available.

Most systems are

Why not let us fit your new Double 'S' Exhaust system her at:



LIFETIME GUARANTEE

We guarantee to replace or repair any part of our Stainless Steel Exhaust System found defective through corrosion, or manufacturing fault during the period the system remains the property of the original owner. Provided that the system is inspected by a garage or exhaust fitting center annually to ensure all rubber and other mountings are in good condition.

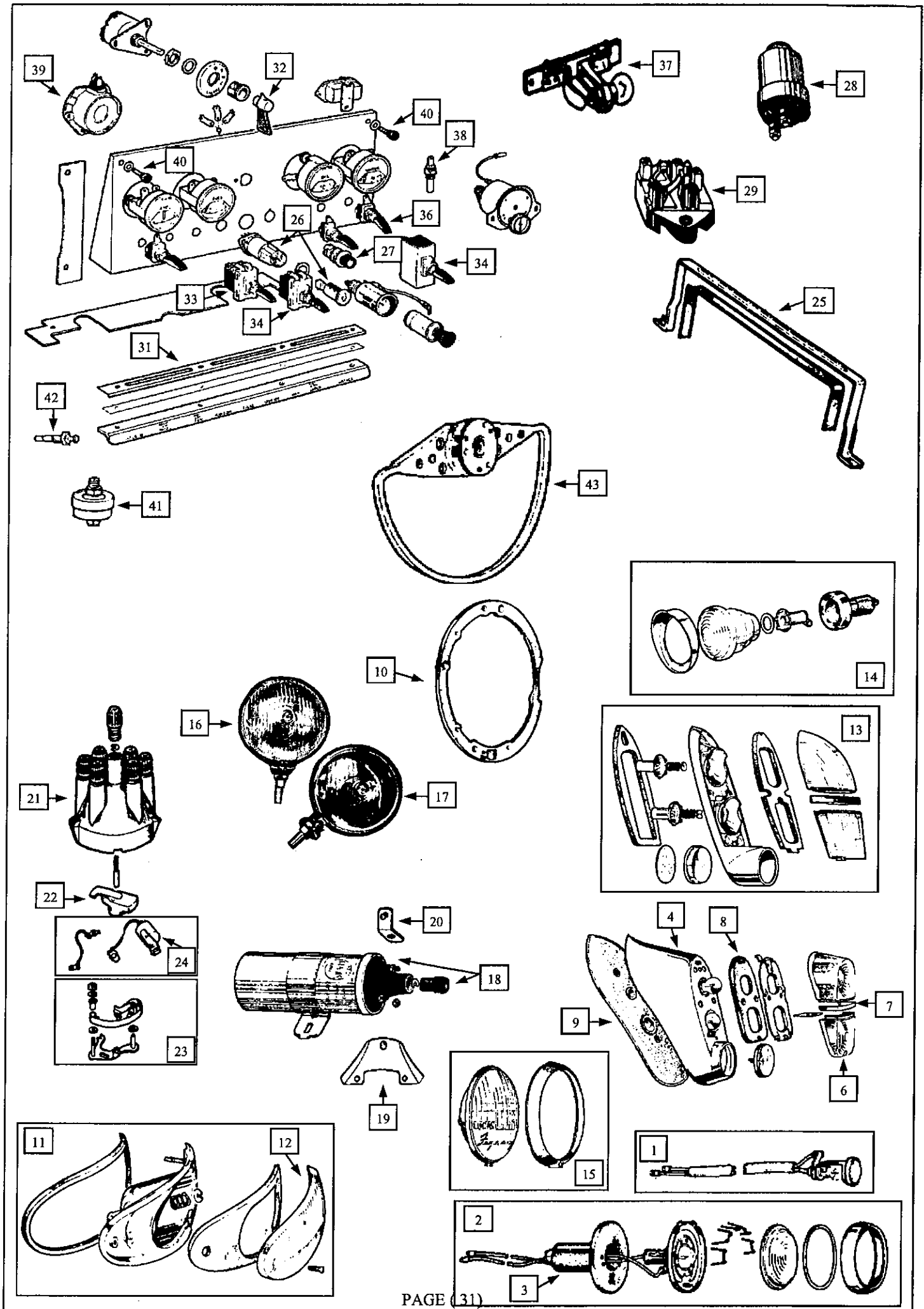
Damage due to external impact, faulty location or installation and internal explosion is excluded.

We do not undertake to bear the cost of any work involved in reinstating a repaired or new part.

ALL 6 CYLINDER SALOON MODELS

ELECTRICAL EQUIPMENT

No.	MER No.	JAGUAR No.	DESCRIPTION
1	C14929	C14929	SIDE LAMP ASSEMBLY
2	C15430	C15430	INDICATOR LAMP ASSEMBLY
3	8059	8059	INDICATOR RUBBER GASKET
4	8085/8087	8085/8087	REAR LAMP BODY ONLY (<i>INC. BULB HOLDERS</i>)
5	8080	8080	REAR LAMP LENS (<i>INDICATOR</i>)
6	8081	8081	REAR LAMP LENS (<i>STOP TAIL</i>)
7	8174	8174	LENS DIVIDER
8	8083	8083	LENS TO LAMP BODY GASKETS
9	8088	8086/8088	REAR LAMP TO BODY GASKET (<i>REVERSIBLE</i>)
10	8598	9403	7" HEADLAMP GASKET TO BODY
11	C21534	C21534	FRONT INDICATOR LAMP ASSEMBLY (<i>'S' TYPE/420/MK10</i>)
12	9255/9260	9255/9260	FRONT INDICATOR LENS (<i>420/'S'/MK10/420G</i>)
13	C33930/C33931	C26059/26060	REAR LAMPS RH/LH (<i>420/'S'</i>)
14	C21538	C21538	SIDE LAMP UNIT (<i>'S' TYPE/420/MK10</i>)
15	C20735	8401	'FOG RANGER' LAMP (<i>MK2/240/340/V8 250</i>)
16	C11904F	C15433	FOG LAMP (<i>BUMPER MOUNTED</i>)
17	C11904S	N.A.	SPOT LAMP (<i>BUMPER MOUNTED</i>)
18	C30120*	C16048	IGNITION COIL (<i>SCREW IN TERMINAL</i>)
19	C8047	C8047	IGNITION COIL MOUNTING BRACKET
20	C18525	C18525	IGNITION COIL EXTENSION BRACKET
21	GDC105	9930	DISTRIBUTOR CAP
22	JLM263*	6060	ROTOR ARM
23	JLM317	9931	CONTACT SET
24	JLM9656	C11991	CONDENSER
25	C10186	C10186	BATTERY CLAMPING STRAP
26	C22258	C22258	IGNITION SWITCH AND KEY
27	ATJ2066	C15453	STARTER BUTTON
28	C23612	C19468	SOLENOID FOR STARTER MOTOR
29	C16510	C16510	FUSE BOX
30	C15609/C15610	C15609/C15610	RHD/LHD DASH LEGEND STRIP FOR SWITCH DETAILS
31	C15916	C15916	STAINLESS STEEL FINISHER ON ABOVE
32	C15450	C15450	OFF, SIDE, HEAD & FOOTLIGHT OPERATING LEVER
33	C15760	C15455	PANEL LIGHT SWITCH
34	C15456	C15456	WINDSCREEN WIPER SWITCH (<i>SECOND HAND ONLY</i>)
35	C15589	C15589	HEATER FAN SWITCH
36	C15759	C15759	WINDSCREEN WASHER SWITCH
37	C15486	C15486	MAP LIGHT
38	DAC2583	C15472	WATER TEMPERATURE SENDER IN INLET MANIFOLD
39	C14996	C14996	REV. COUNTER GENERATOR ON CYLINDER HEAD
40	C15785	C15785	FIXING SCREW ON INSTRUMENT PANEL (<i>2 PER CAR</i>)
41	C15474	C15474	OIL PRESSURE SENDER UNIT ON OIL FILTER HOUSING
42	C9653	C9653	COURTESY LIGHT SWITCH
43	C18979	C18979	HORN RING



MK2, 240, 340, V8 250 'S' TYPE ELECTRICAL WIRING HARNESSSES

OUR REF. NO.	DESCRIPTION
<u>DAIMLER V8</u>	
JL170	MAIN LOOM (<i>DYNAMO, MANUAL/AUTO, RHD/LHD</i>)
JL171	MAIN LOOM (<i>ALTERNATOR, AUTO, RHD/LHD</i>)
JL161	MAIN LOOM (<i>ALTERNATOR MANUAL/OVERDRIVE, RHD/LHD</i>)
JL166	BOOT LID LOOM
JL167	R/H BODY LOOM
JL168	L/H BODY LOOM
JL169	CENTRE CONSOLE INC. GLOVE BOX ILLUMINATION (<i>59/67</i>)
JL180	CENTRE CONSOLE INC. GLOVE BOX ILLUMINATION (<i>68/70</i>)
JL178	L/H BODY LOOM, INC EXTENSION TO TANK & HEATED REAR WINDOW
JL216	INTERIOR LIGHT LOOM SET
JL217	HEADLAMP, FOG, SIDE & INDICATOR WIRING
JL179	AUTO GEARBOX WIRING
DR180	OVERDRIVE GEARBOX WIRING
BC170	STARTER SOLENOID LEAD
 <u>MK1 SALOON</u>	
JL150	2.4 LITRE MAIN LOOM (<i>MANUAL/AUTO, RHD/LHD</i>)
JL152	3.4 LITRE MAIN LOOM (<i>MANUAL/AUTO, RHD/LHD</i>)
JL151	AUTOMATIC GEARBOX LOOM (<i>ALL</i>)
JL153	MANUAL OVERDRIVE GEARBOX LOOM (<i>ALL</i>)
 <u>MK2 SALOON</u>	
JL162	MAIN LOOM (<i>MANUAL OVERDRIVE, RHD/LHD</i>) (<i>COTTON BRAID</i>)
JL163	MAIN LOOM (<i>MANUAL OVERDRIVE, RHD/LHD</i>) (<i>PVC BRAID</i>)
JL172	MAIN LOOM (<i>AUTOMATIC, RHD/LHD</i>) (<i>COTTON BRAID</i>)
JL173	MAIN LOOM (<i>AUTOMATIC, RHD/LHD</i>) (<i>PVC BRAID</i>)
JL166	BOOT LID LOOM
JL167	R/H BODY LOOM
JL168	L/H BODY LOOM
JL169	CENTRE CONSOLE INC. GLOVE BOX ILLUMINATION
JL174	GEARBOX WITH OVERDRIVE LOOM
JL216	INTERIOR LIGHT SET
JL217	HEADLAMP, FOG, SIDE AND INDICATOR WIRING
JL220	HEATED REAR WINDOW

MK2, 240, 340, V8 250 'S' TYPE ELECTRICAL WIRING HARNESSSES

OUR REF. NO.	DESCRIPTION
<u>240/340 SALOON</u>	
JL164	MAIN LOOM (MANUAL OVERDRIVE, RHD/LHD) (COTTON BRAID)
JL165	MAIN LOOM (MANUAL OVERDRIVE, RHD/LHD) (PVC BRAID)
JL176	MAIN LOOM (AUTOMATIC, RHD/LHD) (COTTON BRAID)
JL177	MAIN LOOM (AUTOMATIC, RHD/LH) (PVC BRAID)
JL175	OPTIONAL ALTERNATOR HARNESS (EX POLICE CARS) (ALL OTHERS ARE AS PER MK2)
 <u>'S' TYPE</u>	
JL211	MAIN LOOM (MANUAL OVERDRIVE/AUTO, RHD)
JL221	MAIN LOOM (MANUAL OVERDRIVE/AUTO, LHD)
JL212	DASH LOOM (MANUAL OVERDRIVE, RHD)
JL232	DASH LOOM (AUTOMATIC, RHD)
JL222	DASH LOOM (MANUAL OVERDRIVE, LHD)
JL242	DASH LOOM (AUTOMATIC, LHD)
JL213	CENTRE CONSOLE (INC GLOVE BOX ILLUMINATION & WARNING LIGHTS)
JL214	L/H BODY LOOM
JL215	R/H BODY LOOM
JL216	INTERIOR LIGHT SET
JL217	HEADLAMP, FOG, SIDE & INDICATOR WIRING
JL218	BOOT LID LOOM
 <u>420</u>	
JL251	MAIN LOOM (RHD, MANUAL/AUTO)
JL252	DASH LOOM (RHD, MANUAL/AUTO)
JL261	MAIN LOOM (LHD, MANUAL/AUTO)
JL262	DASH LOOM (LHD, MANUAL/AUTO)
JL253	L/H BODY LOOM
JL254	R/H BODY LOOM
JL257	HEATED REAR WINDOW LOOM
JL258	OVERDRIVE LOOM
JL256	AUTO GEARBOX LOOM
JL255	ALTERNATOR RELAY LOOM (AUTO)
JL259	PANEL LOOM

MK2, 240, 340, V8 250 'S' TYPE ELECTRICAL WIRING HARNESSSES

OUR REF. NO.	DESCRIPTION
<u>MK10/420G</u>	
JL1410	MAIN LOOM (MANUAL, DYNAMO, RHD) (MK10 3.8)
JL1411	MAIN LOOM (MANUAL, DYNAMO, LHD) (MK10 3.8)
JL1412	MAIN LOOM (MANUAL/AUTO, EARLY TACHO & WASHER BOTTLE, RHD) (MK10 & 420G)
JL1413	MAIN LOOM (MANUAL/AUTO, EARLY TACHO & WASHER BOTTLE, LHD) (MK10 & 420G)
JL1422	MAIN LOOM (MANUAL/AUTO, LATER TACHO & WASHER BOTTLE, RHD) (420G)
JL1423	MAIN LOOM (MANUAL/AUTO, LATER TACHO & WASHER BOTTLE, LHD) (420G)
JL1420	DASH LOOM (RHD, EARLY CARS) (MK10 & 420G)
JL1424	DASH LOOM (LHD, LATER CARS) (420G)
JL1414	R/H BODY LOOM (MK10 3.8)
JL1415	L/H BODY LOOM (MK10 3.8)
JL1434	R/H BODY LOOM (MK10 4.2)
JL1435	L/H BODY LOOM (MK10 4.2)
JL1416	ENGINE LOOM (MK10 4.2)
JL1418	ELECTRIC WINDOW LOOM (MK10 3.8, 4.2)
JL1430	PANEL LOOM (4.2)
JL1431	HEATED REAR WINDOW LOOM (4.2)
JL1432	BOOT LID LOOM (4.2)
<u>VARIOUS OTHERS</u>	
JL144	MK5 RHD LOOM
JL154	MK5 LHD LOOM
JL147	MK9 LOOM
JL150	MK1 MAIN LOOM (2.4 MANUAL RHD/LHD)
JL152	MK1 MAIN LOOM (3.4 MANUAL RHD/LHD)

Interior Trim

CODE T-C10

JAGUAR MK1

PART No.	DESCRIPTION	QUANTITY
T-C 10/1M	FULL CARPET SET: MANUAL	SET
T-C 10/1A	FULL CARPET SET: AUTO	SET
T-C 10/1F	FRONT FLOOR CARPETS	PAIR
T-C 10/2	A POST PANELS	PAIR
T-C 10/3	B/C POST TRIM PANELS	PAIR
T-C 10/4	DOOR CASINGS (SET OF 4 inc POCKETS & ARMRESTS)	SET
T-C 10/5	LEATHER SEAT COVERS: FRONT	PAIR
T-C 10/6	LEATHER SEAT COVERS: REAR	2 OFF
T-C 10/7	TRIM PANELS (SIDE OF REAR SEAT SQUAB)	PAIR
T-C 10/8	SHOULDER PADS	PAIR
T-C 10/9	REAR PARCEL SHELF	1 OFF
T-C 10/10	BOOT MAT HARDURA	1 OFF
T-C 10/11	BOOT SIDE CASINGS	PAIR
T-C 10/12	VINYL/MOQUETTE FOR BACK OF FRONT SEATS	PAIR
T-C 10/13	HEADLINING KIT (inc SUN VISOR COVERS)	1 OFF
T-C 10/14	UNDERFELT INSULATION	FIT
T-C 10/15	FURFLEX KIT (4 DOORS)	SET
T-C 10/16	VINYL FOR UNDER REAR SEAT	1 OFF
T-C 10/17	VINYL FOR UNDER DASH PANELS	2 OFF
T-C 10/18	VINYL FOR FRONT DOOR POCKETS	2 OFF
		<u>TOTAL</u>

Interior Trim

CODE T-C8

JAGUAR MKII. 240/340 SALOON

PART No.	DESCRIPTION	QUANTITY
T-C 8/1	FULL CARPET SET	SET
T-C 8/2	A POST PANELS	PAIR
T-C 8/3	B/C POST TRIM PANELS	PAIR
T-C 8/4	DOOR CASINGS (SET OF 4 INC POCKETS & ARMRESTS)	SET
T-C 8/5	CENTRE CONSUL KIT	1 OFF
T-C 8/6	LEATHER SEAT COVERS: FRONT	PAIR
T-C 8/7	LEATHER SEAT COVERS: REAR	2 OFF
T-C 8/8	TRIM PANELS (SIDE OF REAR SEAT SQUAB)	PAIR
T-C 8/9	SHOULDER PADS	PAIR
T-C 8/10	REAR PARCEL SHELF	1 OFF
T-C 8/11	BOOT MAT HARDURA	1 OFF
T-C 8/12	BOOT SIDE CASINGS	PAIR
T-C 8/13	VINYL/MOQUETTE FOR BACK OF FRONT SEATS	PAIR
T-C 8/14	HEADLINING KIT (INC SUN VISOR COVERS)	1 OFF
T-C 8/15	UNDERFELT INSULATION	KIT
T-C 8/16	FURFLEX KIT (4 DOORS)	SET
T-C 8/17	VINYL FOR UNDER REAR SEAT	1 OFF
T-C 8/18	VINYL FOR UNDER DASH PANEL ALLEY	2 OFF
T-C 8/19	VINYL FOR FRONT DOOR POCKETS	2 OFF
T-C 8/20	UNDERDASH PANEL PASSENGER SIDE	
		<u>TOTAL</u>
	<u>MISCELLANEOUS ITEMS (NOT INC IN TRIM KIT)</u>	
T-C 8/21	FRONT & SQUAB FOAM	
T-C 8/22	LATEX MOULDED FRONT SEAT CUSHION FOAMS	PAIR
T-C 8/23	DASH GLOVE BOX INSERT	1 OFF
T-C 8/1A	FRONT FLOOR CARPETS	PAIR
T-C 8/24	REAR SEAT SQUAB FOAM	
T-C 8/25	REAR CUSHION FOAM	
T-C 8/26	CLIPS & SCREW FIXING NUT	

Interior Trim

CODE T-C9

DAIMLER V8 250 SALOON

PART No.	DESCRIPTION	QUANTITY
T-C 9/1	FULL CARPET SET	SET
T-C 9/2	A POST PANELS	PAIR
T-C 9/3	B/C POST PANELS	PAIR
T-C 9/4	DOOR CASINGS (SET OF 4 INC POCKETS & ARMRESTS)	SET
T-C 9/5	CENTRE CONSOL KIT	1 OFF
T-C 9/6	LEATHER SEAT COVERS : FRONT	PAIR
T-C 9/7	LEATHER SEAT COVERS: REAR	2 OFF
T-C 9/8	TRIM PANELS (SIDE OF REAR SEAT SQUAB)	PAIR
T-C 9/9	SHOULDER PADS	PAIR
T-C 9/10	REAR PARCEL SHELF	1 OFF
T-C 9/11	BOOT MAT HARDURA	1 OFF
T-C 9/12	BOOT SIDE CASINGS	PAIR
T-C 9/13	VINYL/MOQUETTE FOR BACK OF FRONT SEATS	PAIR
T-C 9/14	HEADLINING KIT (INC SUN VISOR COVERS)	1 OFF
T-C 9/15	UNDERFELT INSULATION	KIT
T-C 9/16	FURFLEX KIT (4 DOORS)	SET
T-C 9/17	VINYL FOR UNDER REAR SEAT	1 OFF
T-C 9/18	VINYL FOR UNDER DASH PANELS	2 OFF
T-C 9/19	VINYL FOR FRONT DOOR POCKETS	2 OFF
T-C 9/20	UNDER DASH PANEL PASS SIDE	
	<u>MISCELLANEOUS ITEMS (NOT INC IN TRIM KIT)</u>	
T-C 9/21	DASH GLOVE BOX INSERT	1 OFF
T-C 9/1A	FRONT FLOOR CARPETS	PAIR
T-C 9/22	FIXING KIT : CLIPS, SCREWS, CUP WASHERS	

Interior Trim

CODE T-C11

JAGUAR 420 / S TYPE SALOON

PART No.	DESCRIPTION	QUANTITY
T-C 11/1	FULL CARPET SET	SET
T-C 11/2	A POST PANELS	PAIR
T-C 11/3	B/C POST TRIM PANELS	PAIR
T-C 11/4	DOOR CASINGS (SED OF 4 inc POCKETS & ARMRESTS)	SET
T-C 11/5	CENTRE CONSOL KIT	1 OFF
T-C 11/6	LEATHER SEAT COVERS : FRONT	PAIR
T-C 11/7	LEATHER SEAT COVERS : REAR	2 OFF
T-C 11/8	TRIN PANELS (SIDE OF REAR SEAT SQUAB)	PAIR
T-C 11/9	SHOULDER PADS	PAIR
T-C 11/10	REAR PARCEL SHELF	1 OFF
T-C 11/11	BOOT MAT HARDURA	1 OFF
T-C 11/12	BOOT SIDE CASINGS	PAIR
T-C 11/13	VINYL/MOQUETTE FOR BACK OF FRONT SEATS	PAIR
T-C 11/14	HEADLINING KIT (inc SUN VISOR COVERS)	1 OFF
T-C 11/15	UNDERFELT INSULATION	KIT
T-C 11/16	FURFLEX KIT (4 DOORS)	SET
T-C 11/17	VINYL FOR UNDER REAR SEAT	1 OFF
T-C 11/18	VINYL FOR UNDER DASH PANELS	2 OFF
T-C 11/19	VINYL FOR FRONT DOOR POCKETS	2 OFF
		<u>TOTAL</u>
	<u>MISCELLANEOUS ITEMS (NOT INC IN TRIM KIT)</u>	
T-C 11/1A	FRONT FLOOR CARPETS	PAIR

Interior Trim

CODE T-C11

JAGUAR 420 G

PART No.	DESCRIPTION	QUANTITY	
T-C 22/1	FULL CARPET SET	SET	
T-C 22/2	A POST PANELS (inc MAP POCKET)	PAIR	
T-C 22/3	B/C POST TRIM PANELS VINYL ONLY	PAIR	
T-C 22/4	DOOR CASINGS (inc COVERS FOR ARM RESTS)	SET	
T-C 22/5	CENTRE CONSOL KIT	1 OFF	
T-C 22/6	LEATHER SEAT COVERS : FRONT	PAIR	
T-C 22/7	LEATHER SEAT COVERS : REAR	2 OFF	
T-C 22/8	HEADLINING KIT: NYLON	1 OFF	
T-C 22/9	REAR PARCEL SHELF	1 OFF	
T-C 22/10	D POST TRIM PANELS: SHOULD PADS	PAIR	
T-C 22/11	BOOT MAT HARDURA (INC WHEEL COVERS)	SET	
T-C 22/12	BOOT SIDE CASINGS	SET	
T-C 22/13	BOOT LID TRIM PANELS	2 OFF	
T-C 22/14	UNDERFELT INSULATION: FLOOR CARPET ONLY	KIT	
T-C 22/15	FURFLEX KIT (4 DOORS) IF AVAILABLE	SET	
T-C 22/16	UNDERDASH HARDURAS AND FELT	SET	
T-C 22/17	MATERUAL FOR BACK OF FRONT SEATS	PAIR	

ALL SALOON MODELS

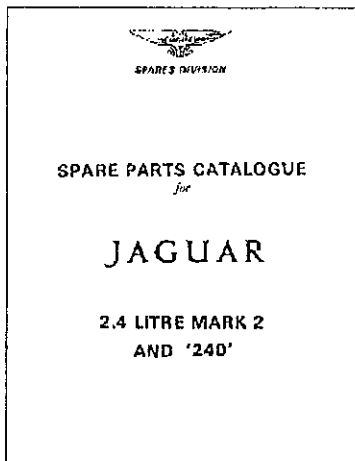
SPARE PARTS MANUALS



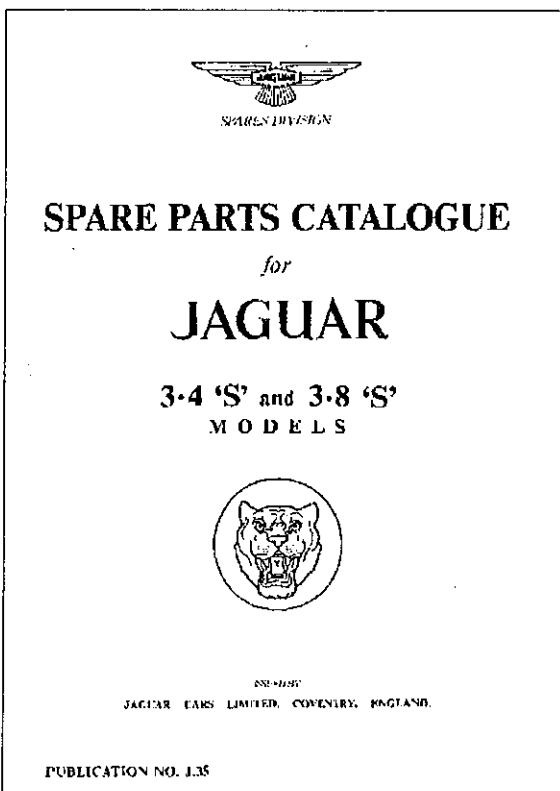
J34/HC
MK2, 3.4, 3.8 & 340
SPARES MANUAL



J39/420
JAGUAR 420
SPARES MANUAL



J33
MK2, 2.4 & 240
SPARES MANUAL



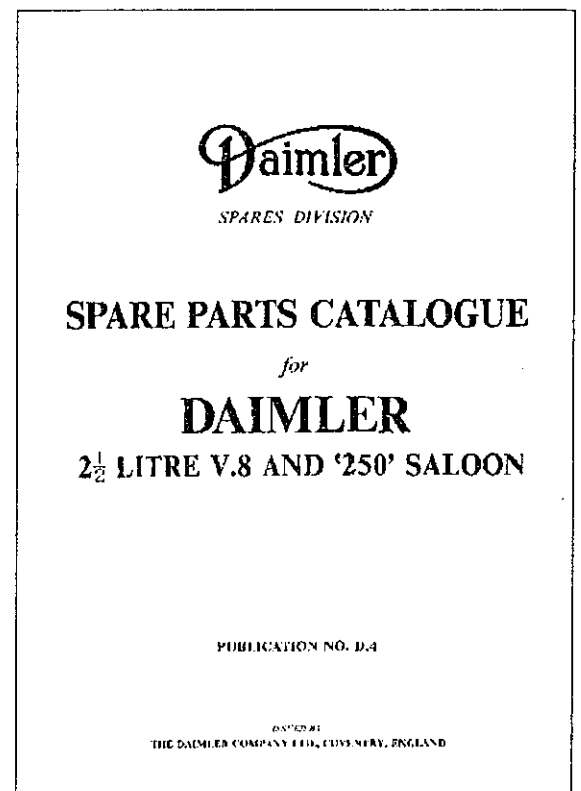
J35
'S' TYPE 3.4 & 3.8
SPARES MANUAL

MI

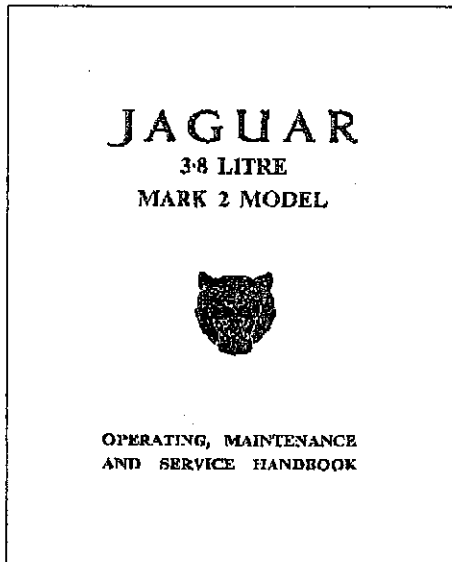


D04
DAIMLER V8
SPARES MANUAL

MI



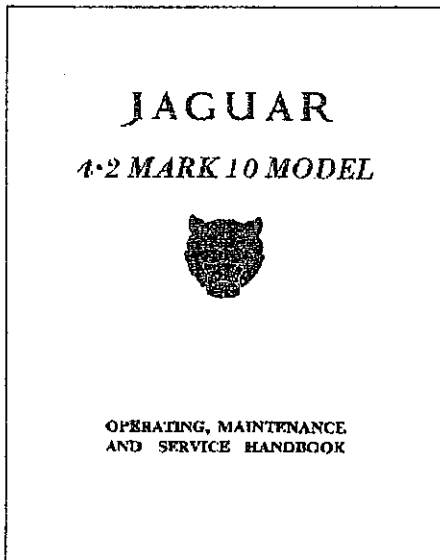
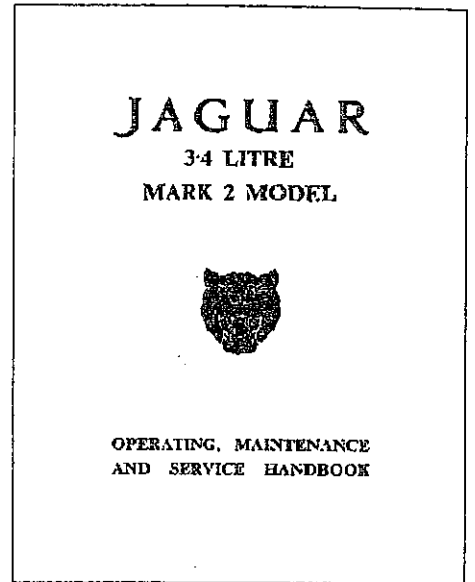
ALL SALOON MODELS
OWNERS HANDBOOKS



E115/10
MK2 3.8
HANDBOOK



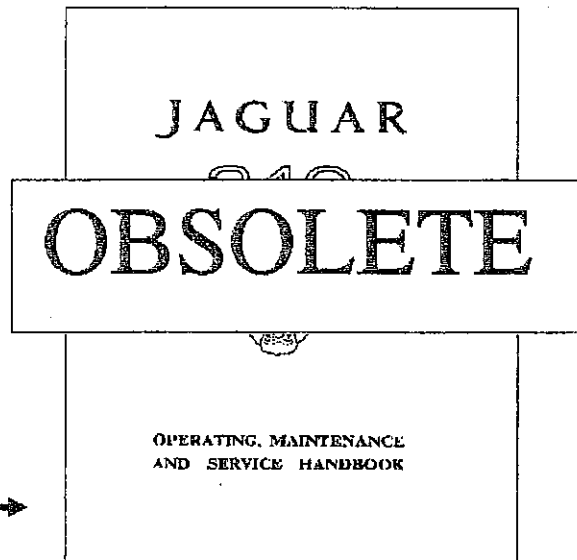
E116/10
MK2 3.4
HANDBOOK



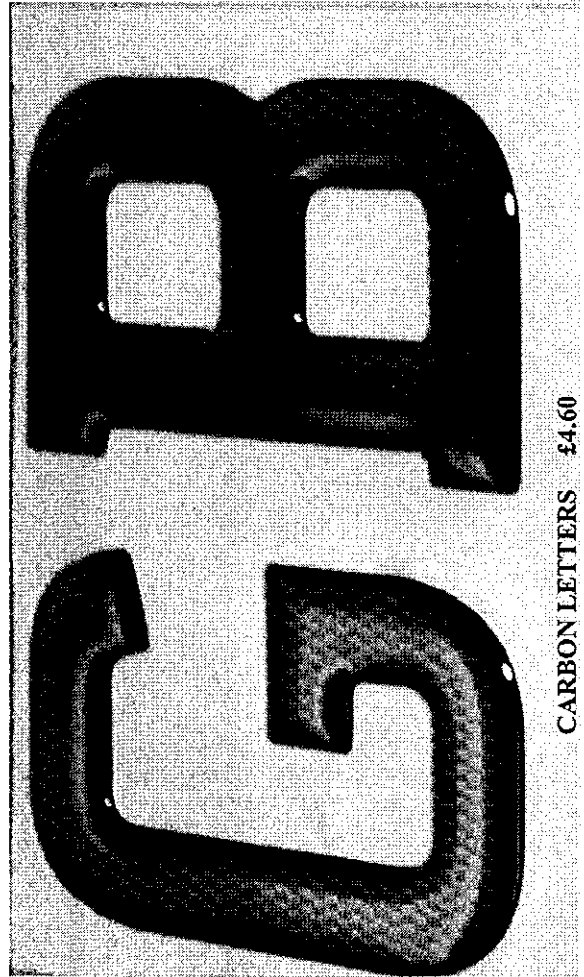
E129/3
JAGUAR MK10
HANDBOOK



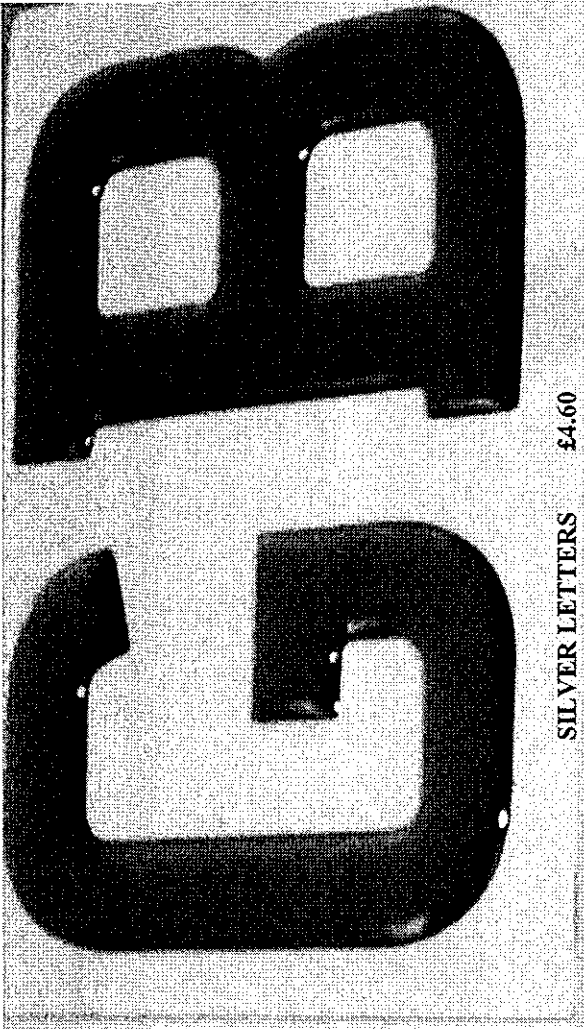
E147/2
JAGUAR 240
HANDBOOK



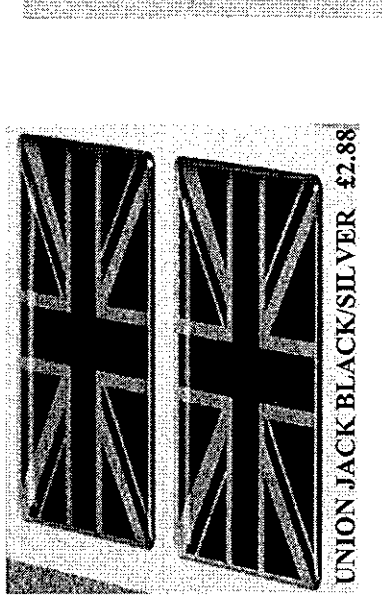
VARIOUS "BROOKLANDS" BOOKS AND "ROAD AND TRACK" BOOKS CONTAINING TECHNICAL DATA AND ROAD TEST INFORMATION ARE ALSO AVAILABLE FROM OUR STOCKS OF BOOKS AND MANUALS. THESE START FROM 8.95 PLEASE CALL FOR DETAILS.



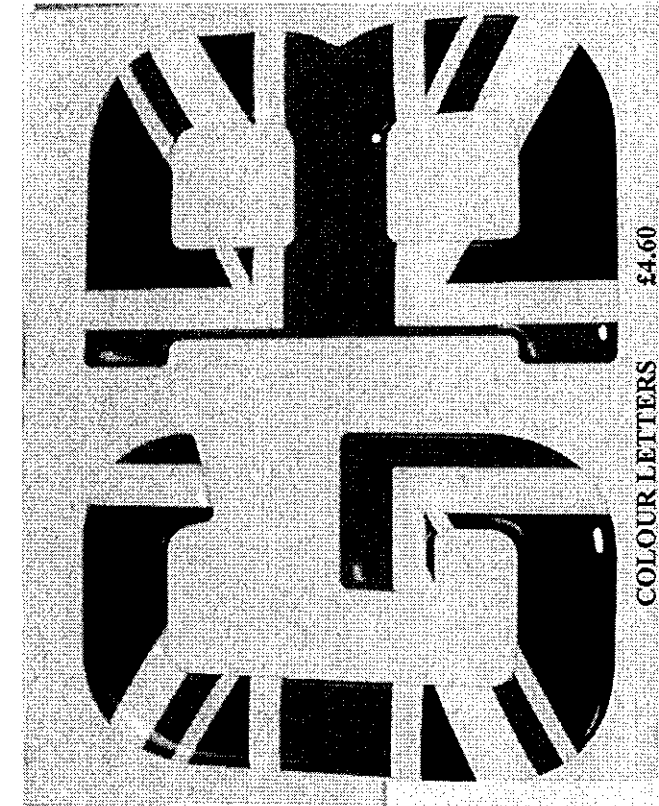
CARBON LETTERS £4.60



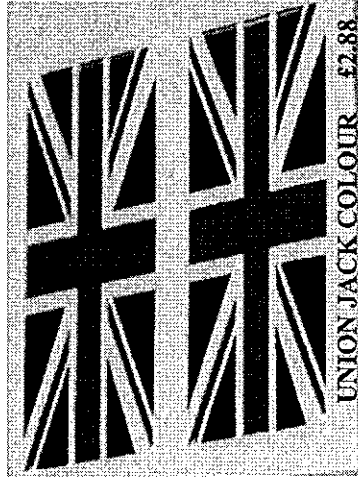
SILVER LETTERS £4.60



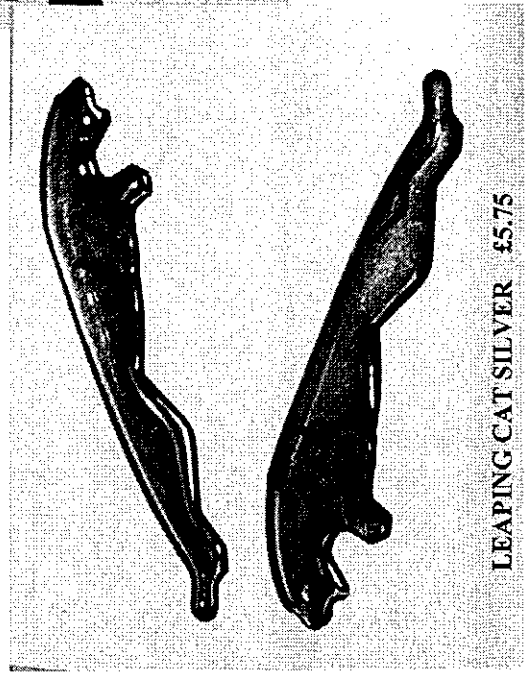
UNION JACK BLACK/SILVER £2.88



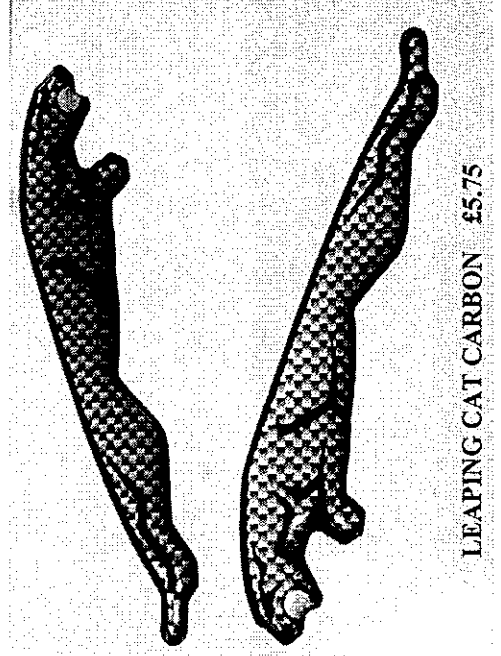
COLOUR LETTERS £4.60



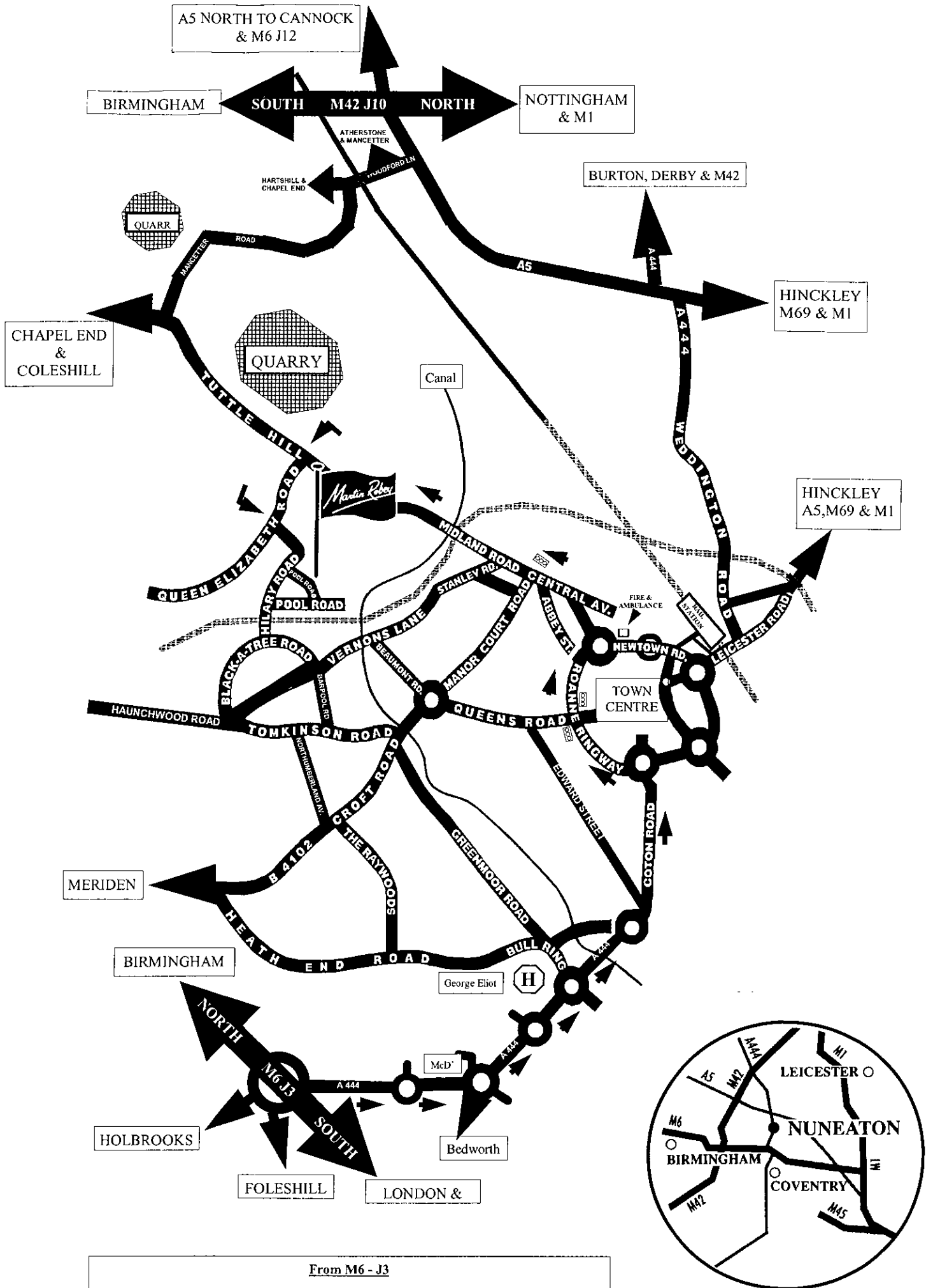
UNION JACK COLOUR £2.88



LEAPING CAT SILVER £5.75



LEAPING CAT CARBON £5.75



From M6 - J3

A444 to Nuneaton at 6th Roundabout, left onto 'Roanne Ringway', through traffic lights. Left at Roundabout onto B4114 towards Chapel End.

Through next set of traffic lights, over canal and up 'Tuttle Hill'. Take the 2nd left into