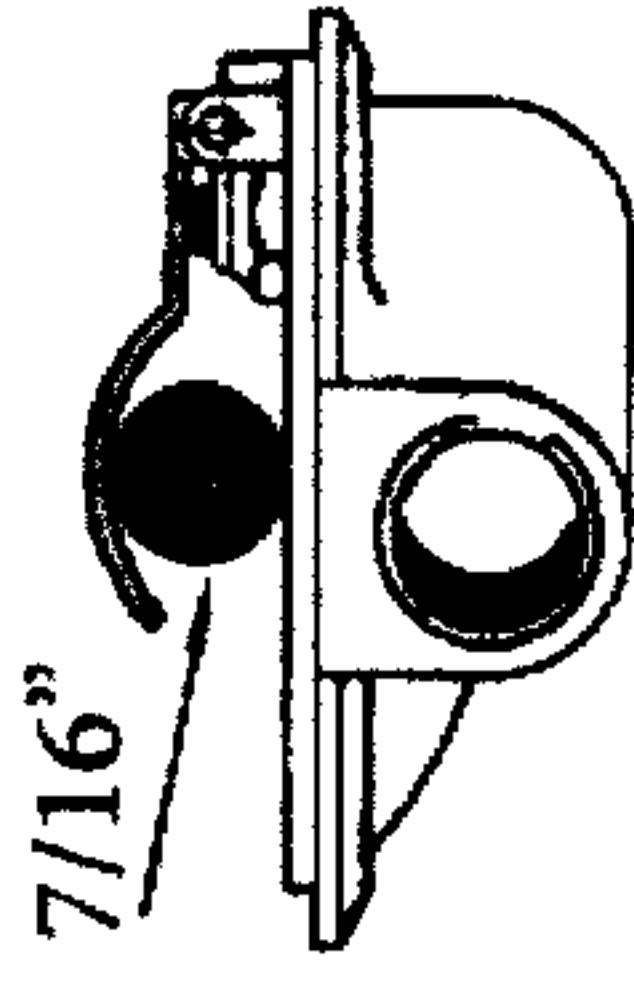
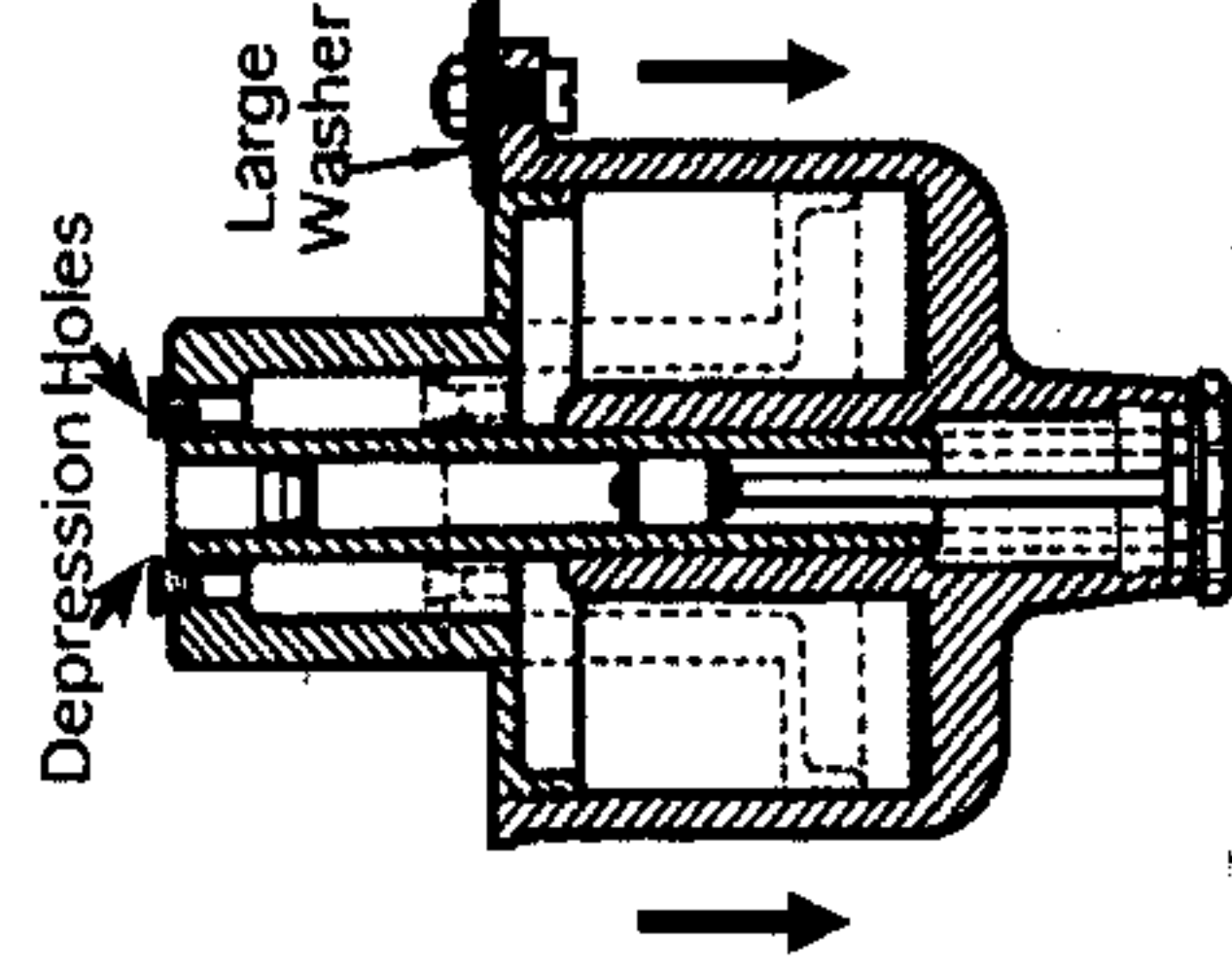


# FLOAT CHAMBER FUEL LEVEL



- (A) Remove the float chamber lid and invert it.
- (B) With the needle on its seating insert a 11.0mm (7/16") diameter round bar between the forked lever and the lip of the float chamber lid.
- (C) The prongs of the lever should just rest on the bar. If not, carefully bend the lever till they do.

## PISTON DROP TIMES



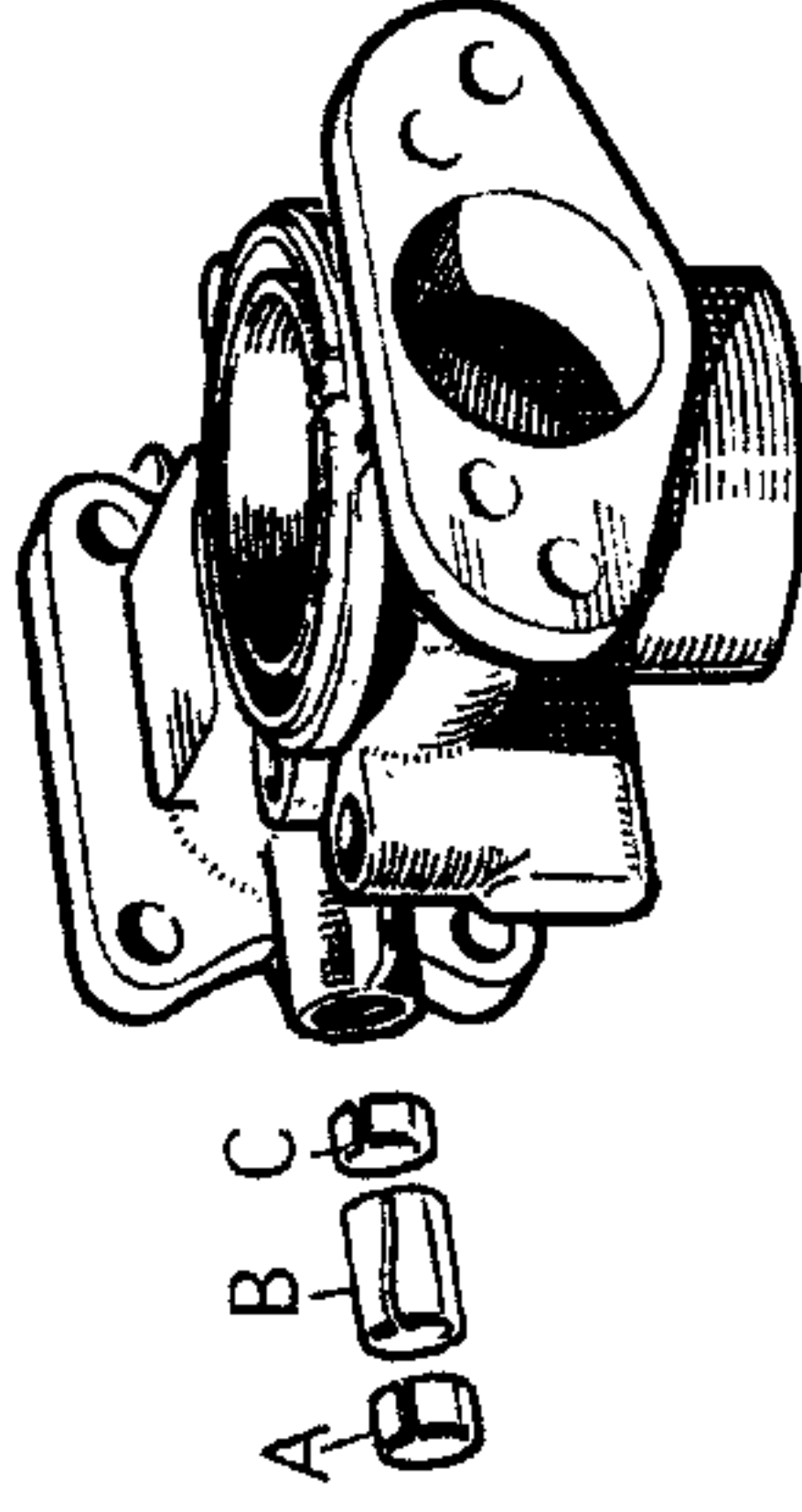
On 1 1/4" carburetors the drop time is 3-5 seconds. All larger carburetors have a drop time of 5-7 seconds.

Thoroughly clean the piston, dashpot chamber, and plug depression transfer holes.

Fit nut, bolt & large flat washer to one dashpot securing flange & measure time piston takes to move length of chamber.

If you have a vented dome then you must put non-vented damper into chamber to correctly count the drop time, otherwise piston will be very "fast".

## P.T.F.E. BUSHING



Illus. #	Description	Part #
A	Ring - outer	AUD 2424
B	Bush (teflon) - spindle	AUD 2500
C	Ring (brass) - inner	AUD 2500

\*Part #'s listed above ^ included in rebuild kit.

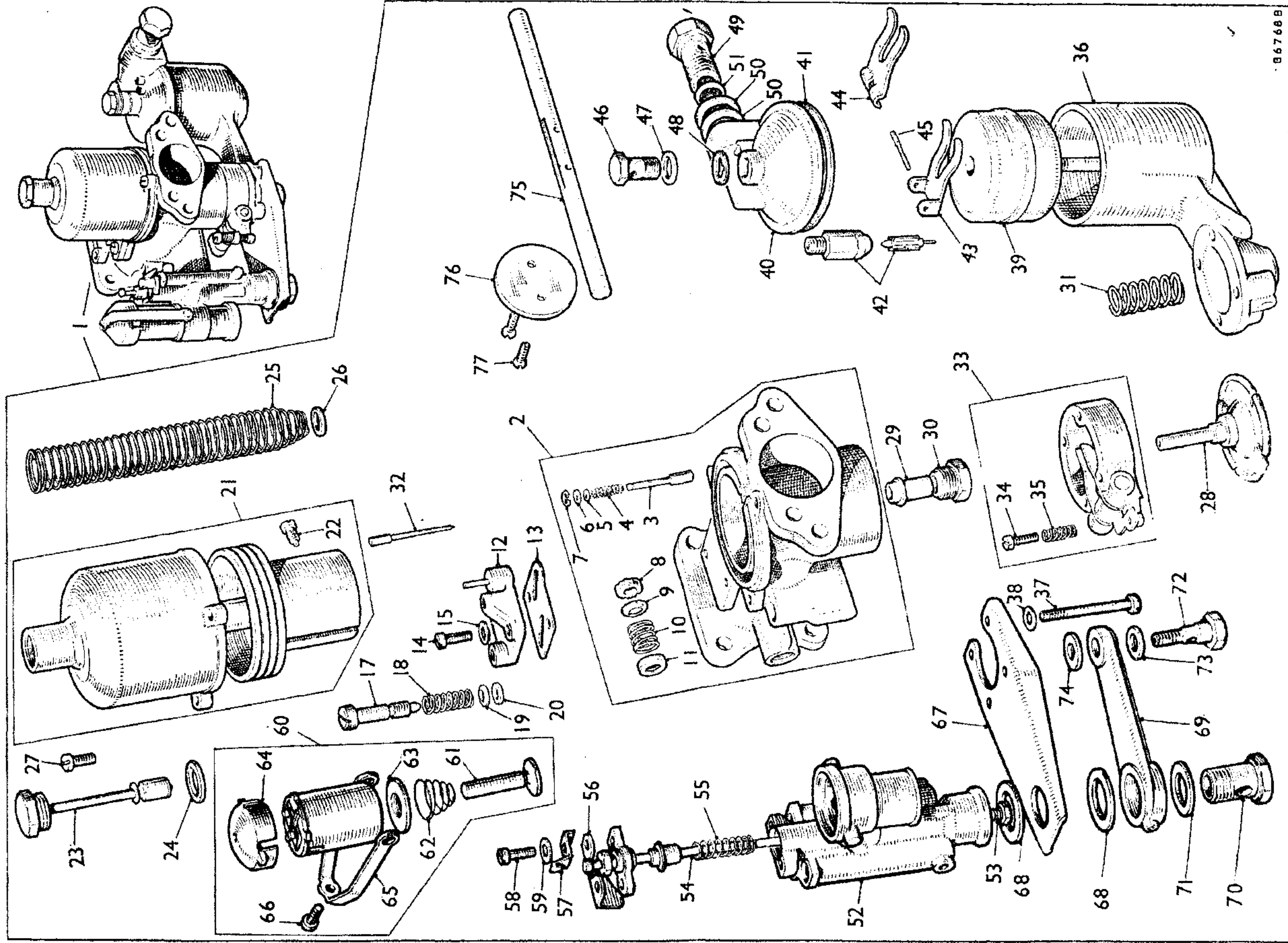
"Parts for the Solution"

**BRITISH SUPERIOR**

Replacement Parts For SU & Zenith Carburetors

Illus. #	Description	Part #
1	Carburettor Assembly - front	
2	Body Assembly	
3	Pin - piston lifting	AUC 4943
4	Spring - pin	
5	Washer (viton)	
6	Washer - brass	AUC 2098
7	Circlip - pin	
8	Gland (cork-rubber)	
9	Washer - dished	
10	Spring	
11	Retainer - spring	
12	Adapter - auto ignition	AUC 2114
13	Gasket - adapter	
14	Screw - adapter	
15	Washer - shakeproof	
17	Valve - slow running	
18	Spring - valve	
19	Washer - dished (brass)	AUC 2130
20	Washer - gland (viton)	AUC 2029
21	Chamber & Piston Assembly	
22	Screw - needle locking	
23	Cap and Damper	AUC 4900
24	Washer - fibre	
25	Spring - piston-red	
26	Washer - thrust	
27	Screw - chamber to body	
28	Jet	Included
29	Bearing - jet	
30	Screw - jet locking	
31	Spring - jet return	AUC 2006
32	Needle - jet	
33	Housing Assembly - Jet	
34	Screw - stop adjusting	
35	Spring - screw	
36	Chamber - float	
37	Bolt - float chamber fixing	
38	Washer - shakeproof	
39	Float	
40	Lid - float chamber	AUC 1147
41	Gasket - lid	6151
42	Needle & Seat	
43/44	Lever - hinged	AUC 1152
45	Pin - hinge	
46	Nut - Cap	
47	Washer - aluminium	AUC 1557
48	Washer - fibre	AUC 1928
49	Bolt - banjo	
50	Washer - fibre	
51	Filter - fuel	AUC 2141
52	Body - Thermo	
53	Jet - accelerator	
54	Needle	
55	Spring - needle-blue	
56	Shield - dust	
57	Finger - spring	
58	Screw - fixing	
59	Washer - shakeproof	
60	Solenoid Assembly	
61	Plunger & Valve	
62	Spring - conical	
63	Plate - spring locating	
64	Cap - end	
65	Strap - securing	
66	Screw - clamping	
67	Bracket - thermo body	AUC 4753
68	Washer - fibre	
69	Coating - pipe	
70	Bolt - casting to thermo body	
71	Washer - fibre	AUC 2141
72	Bolt - casting to float chamber	
73	Washer - aluminium	AUC 1557
74	Washer - fibre	AUC 2089
75	Spindle - throttle	
76	Disc - throttle	
77	Screw - disc	

\*Part #'s listed above ^ included in rebuild kit.



8.6768B

Typical S.U. HD Type Carburetor - Thermo