

The
Definitive
Mk II
Parts Catalogue



First Edition Price £5

Including
S-Type
& V8 Daimler

Welcome to the SNG Barratt Jaguar MK2 Parts Catalogue

Following the Worldwide success of our Definitive Jaguar Owners Catalogue which covers over 20 classic models in one 300 page publication we have taken the decision to release a range of more detailed catalogues for each of the more popular models that we cover. This will allow us to better illustrate the parts we have available and to make identification of the item required a little easier.

How to use this catalogue...

Use the illustration in each section to identify the component that you require. Note the indicated item number and find the corresponding number in the section listing. There you will see our part number for that item, the description and to it's right the quantity required per car. Very often this will be the original Jaguar part number, thus allowing you to refer to an original factory parts catalogue if more detail is required.

Each part number is listed in our price list. This listed price is per item and is plus VAT (or BTW or Mwst where applicable), except in the case of books and other VAT exempt items.

If you then quote this part number when contacting our sales department, we will be able to confirm the cost and whether we have the part in stock.

If you cannot conclusively identify the item that you require then please call and we will to assist you. Our staff have many years of experience with all aspects of the Jaguar marque and may have just the answer...

SNG Barratt Jaguar MK2 V6 5 S-Type Parts Catalogue
2.4/3.4/3.8 Oil Pump
Buy on-line at www.sngbarratt.com

Item number	Description	Part number	Quantity required per car
1	Oil pump drive shaft	C2648	1
	Woodruff key	C2703	1
2	Drive shaft bush	C2647	1
3	Oil pump gear washer	C2743	1
4	Oil pump gear	C2152	1
5	Oil pump gear lock washer	C2151	1
6	Oil pump gear lock nut	N7000041	1
13	Oil pump assembly* [* Please use 890/90 washer when fitting this pump to early engines.]	POL708	1
	High Iron alternative	C2158CHP	1
	High capacity alternative	C2158CHC	1
	15. Bracket	C2802 RH	1
		C2808 LH	1
14	Sealing ring	C2649	1



Your customer number

Upon dealing with SNG Barratt for the first time you will be allocated a customer number. In most cases this will be your UK postcode or in the USA your telephone number. However if you are outside the UK/USA your sales advisor will use either your postal area code or a number devised using your surname. This customer number can either be found on your invoice or simply by asking the person serving you. The ability to provide your customer number when contacting our sales department will allow us to access your information far faster and serve you even more efficiently.

Customer number.....

Your vehicle details

Please complete this section as accurate vehicle information at your finger tips will prove to be invaluable. Very often identifying the correct part for you car can be all down to chassis or engine number. These details can best be found on the car itself, as registration documents can often prove to be incorrect due to engine swaps and vehicle upgrades that the DVLA have not been advised of. Please refer to the Vehicle Identification section on page 2 if you wish to cross reference any information.

Year of manufacture.....

Chassis number.....

Engine 2.4 / 3.4 / 3.8

Engine number.....

Gearbox Automatic / Manual



+44 (0) 1746 765432
sales.uk@sngbarratt.com



+1 603 622 1050
sales.usa@sngbarratt.com



+33 3 85 201 420
sngbarratt.france@wanadoo.fr



+31 13 52 11 552
verkoop@sngbarratt.com



Vehicle Identification

Buy on-line at www.sngbarratt.com



	<u>Chassis Number</u>	<u>Engine Number</u>	<u>Production Commenced</u>	<u>Production Ceased</u>
<u>MK2 2.4</u>				
RHD	100001	BG1001/BH1001/BJ1001	1959	1967
LHD	125001	-		
<u>MK2 240</u>				
RHD	1J1001	7J1001	1967	1969
LHD	IJ30001	-		
<u>MK2 3.4</u>				
RHD	150001	KG1001/KH1001/KJ1001	1959	1967
LHD	175001	-		
<u>MK2 3.8</u>				
RHD	200001/230001	LA1001/LB1001/LC1001/LE1001	1959	1967
LHD	210001	-		
<u>MK2 340</u>				
RHD	IJ50001	7J50001	1967	1968
LHD	IJ80001	-		

MK2



240/340



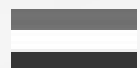
<u>S-TYPE 3.4</u>				
RHD	1B1001	7B1001	1963	1968
LHD	1B25001	-		
<u>S-TYPE 3.8</u>				
RHD	1B50001	7B50001	1963	1968
LHD	1B75001	-		

S-TYPE



<u>DAIMLER V8 2.5</u>				
RHD	1A1001	7A1001	1962	1967
LHD	1A20001			
<u>DAIMLER V8 250</u>				
RHD	1K1001	7K1001	1967	1969
LHD	1K30001			

V8



Engine

2.4/3.4/3.8 Engine Block	4
2.4/3.4/3.8 Oil Pump	7
2.4/3.4/3.8 Water Pump	8
2.4/3.4/3.8 Oil Filter	9
2.4/3.4/3.8 Cylinder Head	10
2.4/3.4/3.8 Timing Gear	12
Daimler V8 Engine	13
SU Carburettors & Air Filters	14

Transmission

Clutch Mechanism	17
2.4/3.4/3.8 Manual Gearbox	18
Automatic Gearbox	19
Propshaft	19
MK2 & V8 Rear Axle	20
S-Type Differential	21

Brakes, Suspension & Steering

Front Suspension	22
MK2 & V8 Rear Suspension	24
S-Type Rear Suspension	25
MK2 & V8 Brakes	27
Early S-Type Brakes	28
Late S-Type Brakes	29
S-Type Handbrake Calipers	30
Braking System Components	31
Roadwheels	33
Steering	34

Cooling, Exhaust & Fuel Systems

Cooling System	35
MK2 Exhaust Systems	36
S-Type & V8 Exhaust Systems	37
Fuel System	38

Body & Body Fittings

MK2, V8, 240 & 340 Body Panels	39
S-Type Body Panels	41
MK2/V8 Body Rubbers	43
S-Type Body Rubbers	45
Body Glass & Badges	47
Bumpers	48
Body Fittings	49

Lighting & Electrical System

MK2 & V8 Lamps & Lighting	51
S-Type Lamps & Lighting	53
Wash Wipe Components	55
Dashboard, Switches & Gauges	56
Wiring Looms	58
General Electrics	59
Electronic Ignition Conversion Kits	61

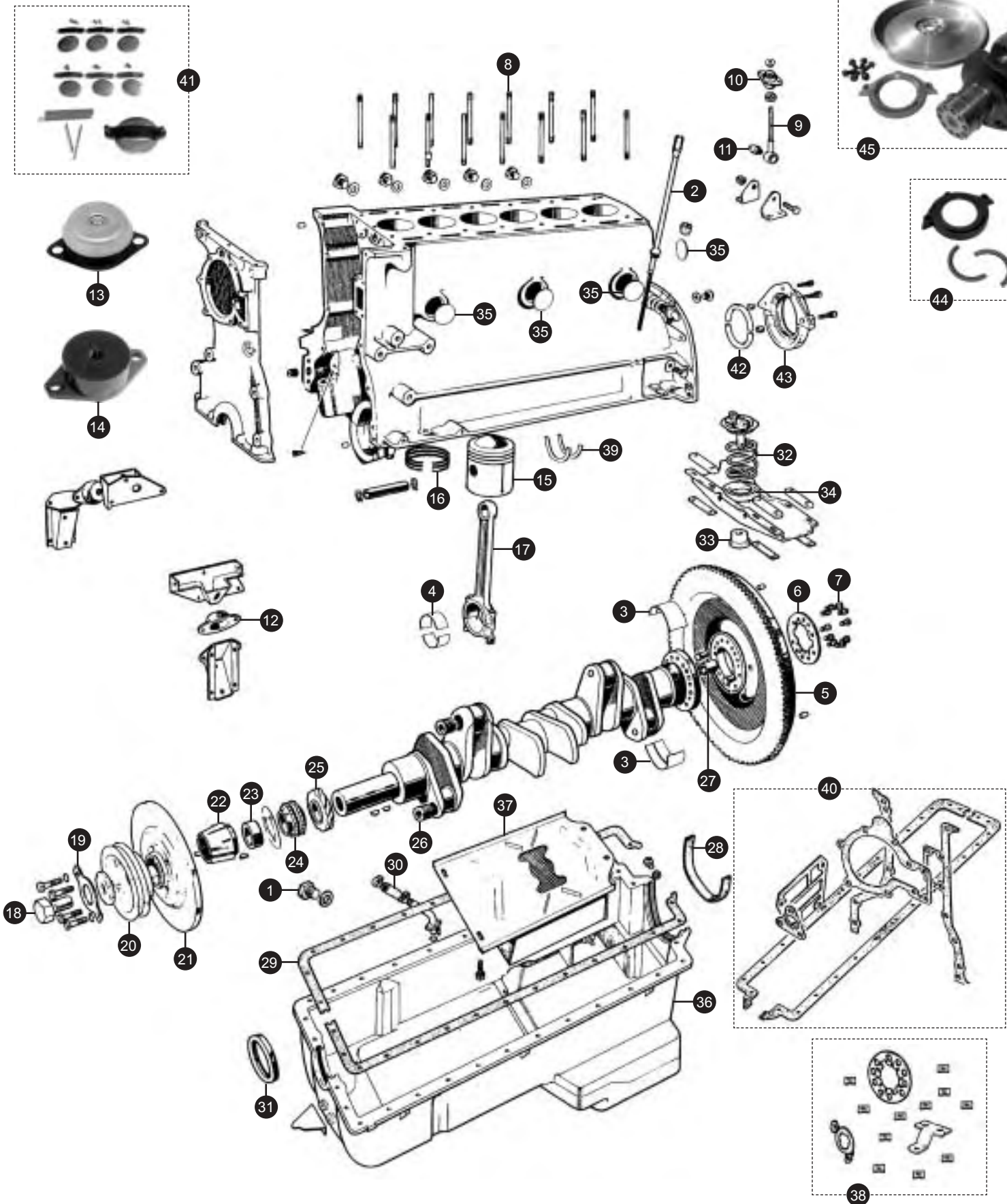
Miscellaneous

MK2 & V8 Heating System	62
Tools	63
Motifs & Decals	64
Interior Trim	66
Seatbelts	67
Master Index	68



2.4/3.4/3.8 Engine Block

Buy on-line at www.sngbarratt.com



2.4/3.4/3.8 Engine Block

Buy on-line at www.sngbarratt.com

1. Sump drain plug	C23435	1
Sump drain plug washer	C2296/1	1
2. Oil level dipstick		
MK2 2.4	C12620	1
MK2 3.4/3.8	C17527	1
S-Type	EAC6713	1

3. Crankshaft main bearings

All models	M7118LC	1 set
------------	---------	-------

(Available in Standard to +40 sizes. Simply add required size to partnumber above, i.e. M7118LC/40)

4. Connecting rod bearings

All models	B6545LC	1 set
------------	---------	-------

(Available in Standard to +40 sizes. Simply add required size to partnumber above, i.e. B6545LC/40)

5. Manual gearbox flywheel

MK2 2.4	C23170	1
MK2 3.4/3.8	C14921R	1
S-Type	C14921R	1

(For ring gear only add suffix RG)

Performance Aluminium Flywheels

Manufactured to the very highest specification our performance aluminium flywheels give a fabulous increase in performance when fitted to either a standard or high performance Jaguar engine. At the same time they offer the benefits of longer engine life due to the reduced stress exerted on the crankshaft and bearings. This is because of the better moment of inertia characteristics that is possible through the use of aluminium instead of the standard steel as well as the obvious gains in horsepower.

3.4/3.8 models only	GTJF1	1
---------------------	-------	---

6. Flywheel lock tab

All models	C4810	1
------------	-------	---

7. Flywheel bolts

Manual	C4855	10
Automatic	C6839	10

8. Cylinder head studs

MK2 2.4	BG1001-BG9999 (164mm)	C29035	13
	BH1001-BH9999 (165mm)	C2270	1
	BJ1001-BJ3661		
	BJ3662 on (164mm)	C29035	10
	7J1001 on (173mm)	C23609*	3
	175mm	C23610	1
MK2 3.4/3.8	164mm	C29035	10
S-Type	173mm	C23609*	3
	175mm	C23610	1

9. Steady bar

Steady bar washer	C12890	1
plain	C11607	1
threaded	C11688	1
Locking nut	NY606041J	1

10. Steady bar mounting	C20218	1
11. Steady bar eye bush	C10940	1
12. Engine mounting		
All models	C18556	2

13. Uprated engine mounting	C18556U	2
------------------------------------	---------	---

14. Competition solid engine mounting	C18556solid	2
--	-------------	---

15. Engine piston

2.4		C15673S	6
3.4	8:1	11546*	6
3.8	8:1	18393	6
	9:1	20615	6

(Available in Standard to +40 sizes. Simply add required size to partnumber above, i.e. 11546/40))

16. Piston ring set

2.4		NLA	
3.4		R39420	1 set
3.8	8:1	R16586	1 set
	9:1	R32592	1 set

(Please note early 4 ring sets are no longer available. Available in Standard to +40 sizes. Simply add required size to partnumber above, i.e. R39420/20)

17. Crankshaft connecting rod

2.4		NLA	
3.4/3.8		RTC2995E	1 set

Connecting rod bolt

	C32344	12
--	--------	----

Connecting rod nut

	EAC5541	12
--	---------	----

18. Crankshaft pulley bolt

All models	C5896	1
------------	-------	---

19. Pulley bolt locktab

All models	C2467	1
------------	-------	---

20. Crankshaft pulley

MK2 2.4	BG1001-BG9999	C14721	1
	BH1001-BH3893		
	BH3894-BH5364	C18904	1
	BH5365 on	C19527	1
	BJ6132 on	C24921*	1
	7J1001 on		

(*This is a complete pulley and damper assembly.)

MK2 3.4	KG1001-KG9999	C14589	1
	KH1001-KH4022		
	KH4023 on	C19517	1
	1J50001 on 340		

MK2 3.8	LA1001-LA9999	C14589	1
	LB1001-LC1671		
	LC1672 on	C19517	1



+44 (0) 1746 765432
sales.uk@sngbarratt.com



+1 603 622 1050
sales.usa@sngbarratt.com



+33 3 85 201 420
sngbarratt.france@wanadoo.fr



+31 13 52 11 552
verkoop@sngbarratt.com



2.4/3.4/3.8 Engine Block

Buy on-line at www.sngbarratt.com

21. Crankshaft damper				Std box		C459021	1		
MK2 2.4	BG1001-BG9999	C12037R	1	3.4	1B2768 on 1B25380 on				
	BH1001-BH9999			3.8	1B52998 on 1B76908 on				
	BJ1001-BJ6131								
22. Crankshaft cone				O/D box		C12299	1		
MK2 3.4/3.8/340		C15274	1	O/D box		C459021	1		
S-Type 3.4/3.8		C15274	1	3.4	1B2192 on 1B25301on				
				3.8	1B52078 on 1B76310				
23. Distance piece				All auto models				C459021	1
24. Timing chain gear				33. Rear engine spring centre bush				C12265	1
25. Oil pump drive gear				34. Rear engine spring seat				CBC2517	1
26. Crankshaft sludge plug				35. Core plug					
27. Spigot bearing				All models	44mm	C315	7		
28. Rear sump oil seal					25mm	C317	1		
Cork		C2302	1	36. Oil sump					
Rubber		C36499	1	MK2 2.4	BG1001 - BG5890	C15964	1		
29. Sump gasket				(steel)					
30. Oil return hose				MK2 2.4	BG5891 - BG9999	C20003	1		
31. Front sump oil seal				(steel)	BH1001 - BH9999				
		C19590	1		BJ1001 - BJ2263				
		C12861	1	MK2 2.4	BJ2264 on	C24502	1		
32. Rear engine mounting spring (gearbox)				(alloy)	7J1001 on				
MK2 2.4	100001-119199	C459021	1	MK2 3.4/3.8	3.4 KG1001 - KG4674	C15964	1		
Std box	125001-127821			(steel)	3.8 LA1001 - LA7449				
O/D box	100001-119199	C12299	1	MK2 3.4/3.8	3.4 KG4675 - KG9999	C20003	1		
	125001-127821			(steel)	3.4 KH1001 - KH9999				
Std & O/D	119200 on	C12299	1		3.4 KJ1001 - KJ2790				
	127822 on				3.8 LA7450 - LA9999				
	1J1001 on				3.8 LB1001 - LB9999				
	1J30001 on				3.8 LC1001 - LC8067				
All auto models				MK2 3.4/3.8	3.4 KJ2791 on	C24502	1		
MK2 3.4	150001-169340	C459021	1	(alloy)	3.8 LC8068 on				
Std box	175001-180187				340 7J50001 on				
	200001-210000			S-Type 3.4/3.8					
O/D box	150001-169340	C12299	1	37. Sump filter basket/ sump baffle					
Std & O/D	169341 on	C12299	1	<i>For sump C15964</i>					
	180188 on			Retaining cover for C9166					
MK2 3.8	230001-234124	C459021	1	<i>For sump C20003</i>					
Std box	210001-224149			Retaining cover for C16905					
O/D box	230001-234124	C12299	1	<i>For sump C24502</i>					
	210001-224199			38. Engine lock tab set					
Std & O/D	234125 on	C12299	1	3.4/3.8 only					
	224150 on			EN1034					
All auto models				39. Crankshaft thrust washers					
S-TYPE 3.4/3.8		C459021	1	Standard size					
Std box				Oversize 0.004" approx					



2.4/3.4/3.8 Engine Block

Buy on-line at www.sngbarratt.com

40. Lower engine gasket set

MK2 2.4	EE532	1
MK2 240	GEG258	1
MK2 3.4	EE532	1
MK2 340	GEG258	1
MK2 3.8	EE532	1
S-Type 3.4	EE532	1
S-Type 3.8	EE532	1

41. Engine core plug strap kit (supplied complete with drill & tap to enable correct fitment) C317FK 1

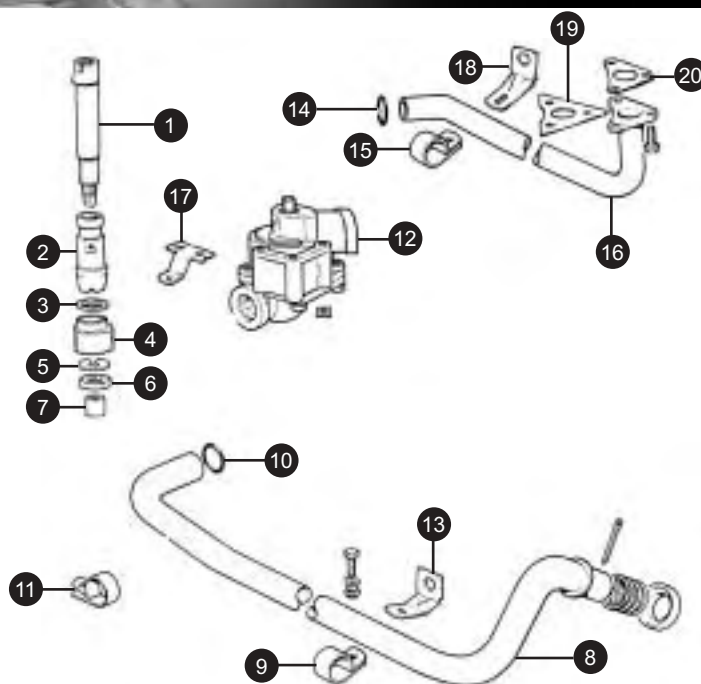
42. Rear crankshaft rope oil seal	C19654	2
43. Rear crankshaft oil seal housing	C19687	1

44. Rear crank oil seal conversion for 6 cyl XK engines.

Prevents oil loss by replacing original style asbestos rope seal with modern rubber alternative. Crank will require machining to facilitate fitment. C19687CONVMIN 1

45. Rear crank oil seal conversion for 6 cyl XK engines. The very finest rear oil seal conversion available for the XK engine. Requires some engine modification, please ring for more details. C19687CONVMAJ 1

2.4/3.4/3.8 Oil Pump

Buy on-line at www.sngbarratt.com

1. Oil pump drive shaft	C8646	1	12. Oil pump assembly*	C21765/2*	1
Woodruff key	C753	1	(* Please use ENG105 adaptor when fitting this pump to early engines.)		
2. Drive shaft bush	C8647	1	High flow alternative	C21765/2HP	1
3. Oil pump gear washer	C2393	1	13. Bracket	C28367 RH	1
4. Oil pump gear	C2152	1		C28368 LH	1
5. Oil pump gear lock washer	C2151	1	14. Sealing ring	C8649	1
6. Oil pump gear lock nut	NT609041	1	15. Delivery pipe clip	C6824	1
7. Oil pump drive shaft coupling	C8648	1	16. Oil delivery pipe	C22595	1
8. Oil suction pipe	C21762	1	17. Oil pump strut	C21793	1
9. Oil suction pipe retaining clip	C21794	1	18. Oil pipe support	C28369	1
10. Sealing ring	C21848	1	19. Tab washer	C22952	1
11. Oil suction pipe retaining clip	C21794	1	20. Gasket	C22598	1



+44 (0) 1746 765432
sales.uk@sngbarratt.com



+1 603 622 1050
sales.usa@sngbarratt.com



+33 3 85 201 420
sngbarratt.france@wanadoo.fr

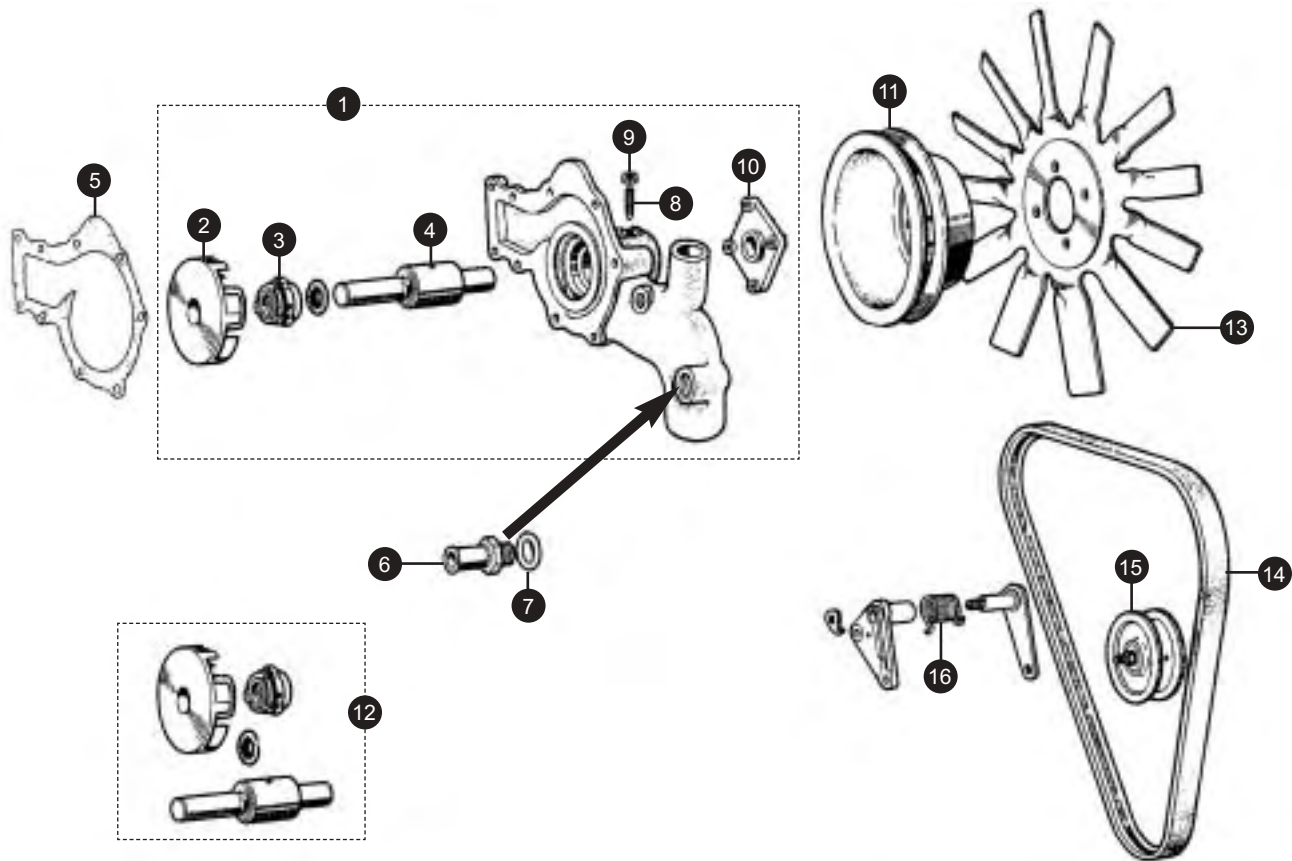


+31 13 52 11 552
verkoop@sngbarratt.com



2.4/3.4/3.8 Water Pump

Buy on-line at www.sngbarratt.com



1. Water pump assembly

All models C15694 1

2. Impellor

All models C22798 1

3. Seal

All models C6773 1

4. Bearing

All 6 cylinder models C8167/1 1

5. Gasket

All models C2303 1

6. Heater outlet adaptor

C17421 1

C2296/1 1

C23128 1

NT609041 1

C25082 1

11. Pulley

MK2 2.4 BG1001 - BG9999 C14588 or 1
BH1001 - BH5364 C18702

BH5365 on C20176 1
7J1001 on

MK2 3.4 KG1001 - KG9999 C14588 or 1
KH1001 - KH4022 C18702

KH4023 on C20176 1

MK2 3.8 LB1001 - LB9999 C14588/ 1
LC1001 - LC1671 C18702

LC1672 on C20176 1

340 7J50001 C20176 1

S-Type 3.4/3.8 C20176 1

12. Water pump repair kit

Not interchangeable with standard parts listed above
SBS7272 1

13. Waterpump fan

All models C12391 1

14. Fanbelt

MK2 2.4 GFB156 1

MK2 3.4/3.8/340 C19525 1

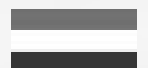
S-Type 3.4/3.8 C19525 1

15. Jockey pulley

Early Single V belt C18733 1

Later Double V belt C19521 1

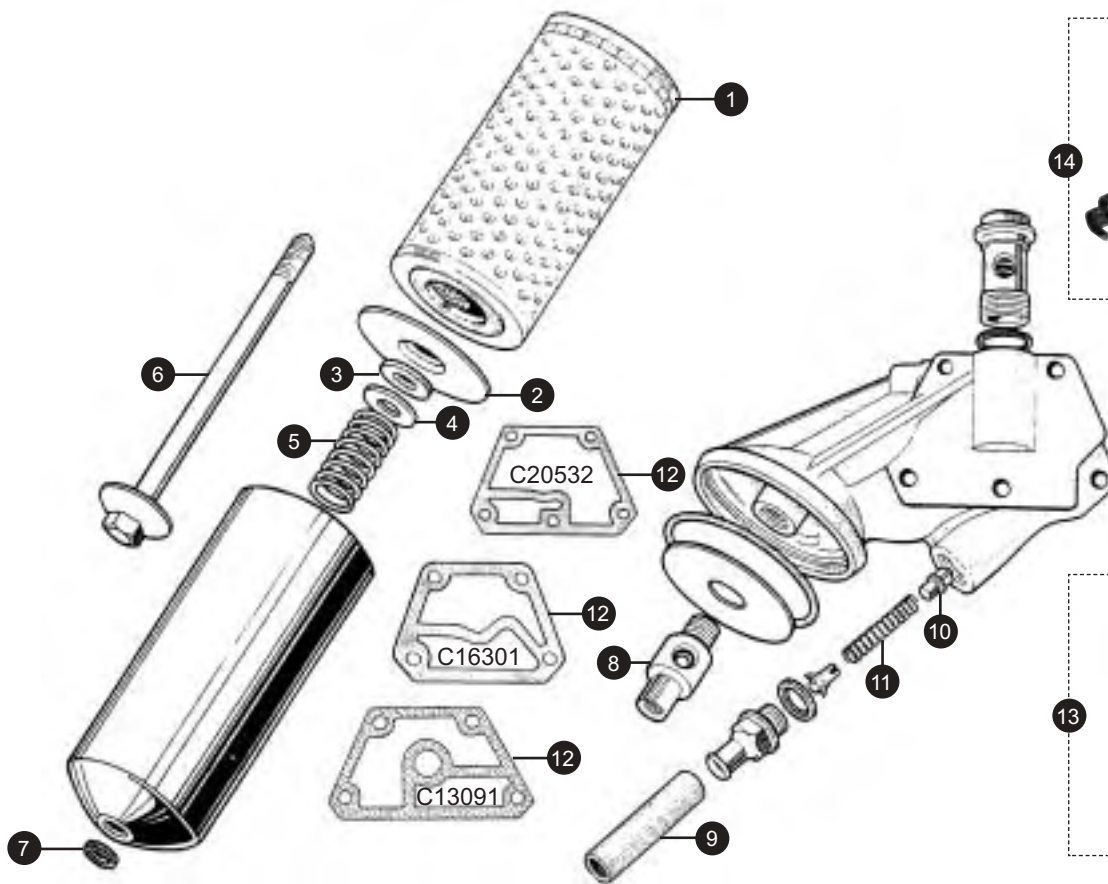
16. Tension spring for jockey pulley C18447 1





2.4/3.4/3.8 Oil Filter

Buy on-line at www.sngbarratt.com



Oil Cooler Kit



Spin Off Oil Filter Kit

1. Paper oil filter element

Paper	JLM9544	1
Felt alternative	JLM9544F	1

2. Retaining plate

6886	1
------	---

3. Felt washer

11665	1
-------	---

4. Plain washer

6160	1
------	---

5. Retaining spring

6159	1
------	---

6. Cannister bolt

7987	1
------	---

7. Seal under bolt head

6158	1
------	---

8. Retaining insert for main bolt

"Shouldered" type	6148	1
"Straight" type	9348	1

9. Oil filter by-pass hose

C12861	1
--------	---

10. Pressure relief valve

Early upward facing oil filter	7310	1
Later downward facing oil filter	2714	1

11. Pressure relief valve spring

Early upward facing oil filter	7315	1
Later downward facing oil filter	8105	1

12. Oil filter housing gasket

MK2 2.4	BG1001-BG5890	C13091	1
	BG5891-BG9999	C16301	1
	BH1001-BH7968		
	BH7969 on	C20532	1

240	BJ1001 on	C20532	1
MK2 3.4/3.8	3.4 KG1001-KG4674	C13091	1
	3.8 LA1001-LA7449		
	3.4 KG4675-KG9999	C16301	1
	3.4 KH1001-KH7062		
	3.8 LA7450-LA9999		
	3.8 LB1001-LB9999		
	3.8 LC1001-LC4264		
	3.4 KH 7063 on	C20532	1
	3.8 LH4264 on		
340	KJ1001 on	C20532	1
S-Type		C20532	1

13. Spin-on oil filter conversion kit

Your engine benefits from the improved oil filtration that modern filters offer and it makes oil changes far easier too!

Early*	OFK16	1
Late*	OFK18	1

* Engine number required to identify correct kit for your car.

14. Oil cooler conversion with spin-on oil filter

Cooler oil retains its viscosity under heavy load providing improved lubrication, reducing friction and wear. Perfect for fast road and track day applications.

All models	SBS1072	1
------------	---------	---



+44 (0) 1746 765432
sales.uk@sngbarratt.com



+1 603 622 1050
sales.usa@sngbarratt.com



+33 3 85 201 420
sngbarratt.france@wanadoo.fr

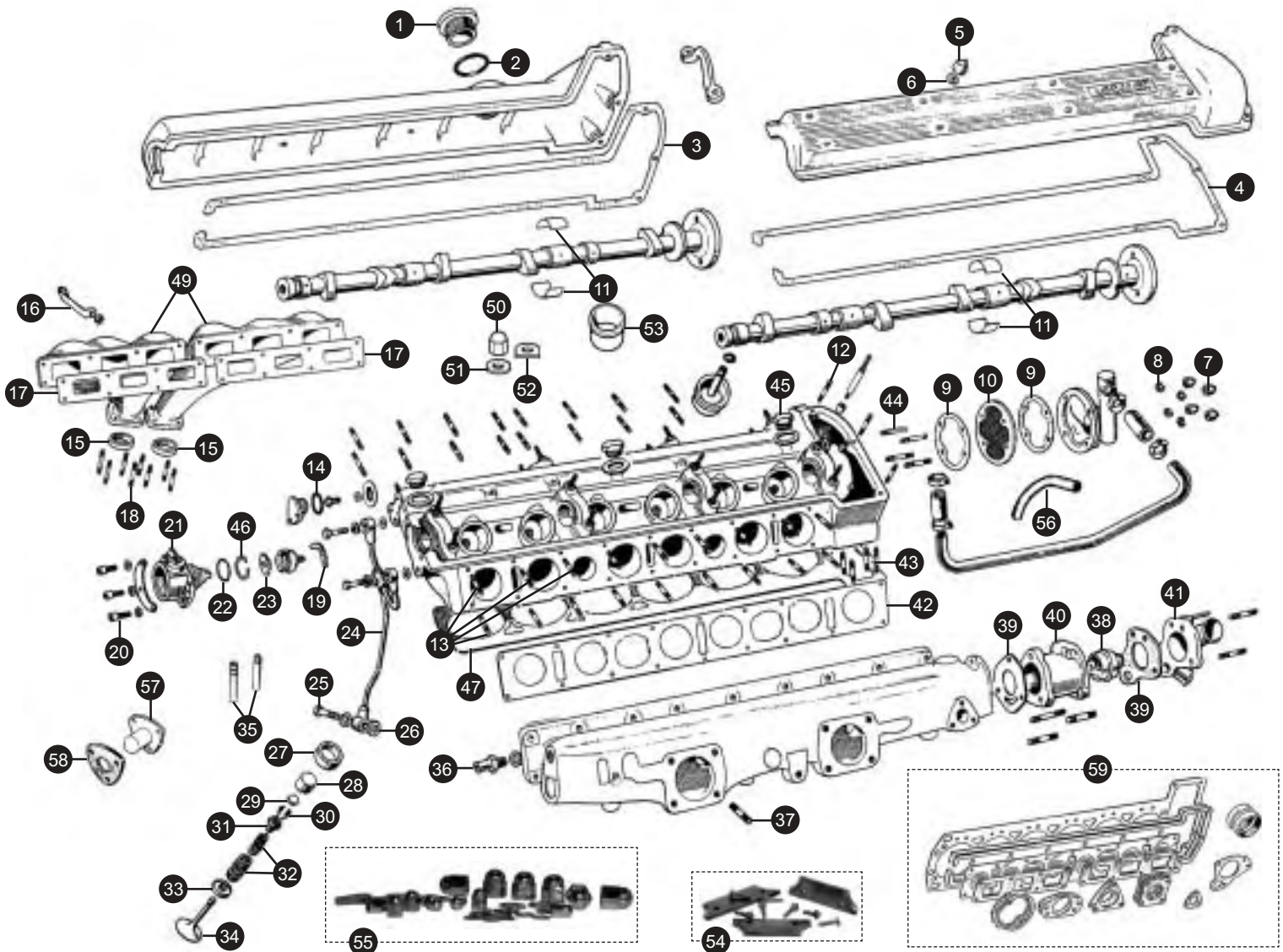


+31 13 52 11 552
verkoop@sngbarratt.com



2.4/3.4/3.8 Cylinder Head

Buy on-line at www.sngbarratt.com



1. Oil filler cap Round polished Jaguar	C1022	1	14. Sealing ring	C19044	1
2. Oil filler cap sealing ring Fibre washer type Rubber seal type	C419 C25480	1 1	15. Exhaust seal	EBC9388	2
3. Cam cover gasket LH	C67351	1	16. Dipstick bracket	C15848	1
4. Cam cover gasket RH	C149881	1	17. Exhaust manifold gasket	C2318AF	2
5. Cam cover nut	C2327	22	18. Exhaust downpipe stud	C2369	8
6. Cam cover washer	FW104E	22	19. Generator seal	C14991	1
7. Breather cover nut	C2327	4	20. Fixing screws	C14992	3
8. Breather cover washer	FW104E	4	21. Rev counter generator	C14996	1
9. Breather cover gasket	C2227	2	22. Sealing ring	C14990	1
10. Breather gauze	C37282	1	23. Drive dog	C25426	1
11. Camshaft bearing set	RTC2347	1	24. Camshaft feed pipe (not 2.4)	C25619	1
12. Camshaft cover studs Front of head (plain)	C67272	6	25. Banjo bolt	C5846	3
13. Manifold attachment stud Inlet & exhaust	C11761	32	26. Sealing washer	C4146	6
			Inlet	C29122	6
			Exhaust	C291241	6
			28. Tappet	C44010	12
			29. Tappet gap shim 0.001 increments (Add P i.e. C2243AP for 0.0005 increments)	C2243A to Z	A/R



2.4/3.4/3.8 Cylinder Head

Buy on-line at www.sngbarratt.com

30. Valve cotter	EBC2997	12	prs
31. Valve collar	C27480	12	
32. Valve spring set	VSP480P	1	
33. Valve spring seat	C27481	12	

34. Engine Valves

Inlet	EAC1547	6	
Exhaust	EAC1548	6	

35. Valve guides

	<u>Steel</u>	<u>Bronze</u>	
Inlet	VAG92198 1st o/s	ENG102	6
	VAG50914 2nd o/s	ENG102/1	6
Exhaust	VAG92199 1st o/s	ENG103	6
	VAG50913 2nd o/s	ENG103/1	6

36. Adaptor	C17421	1	
--------------------	--------	---	--

37. Carburettor stud	C6570	8	
38. Thermostat (use the photo to identify the type you have.)			

C27650 - 74°C
C27650/1 - 82°C

C3731/1* - 74°C

C28067 - 74°C
EBC3576 - 82°C EBC3577 - 88°C

Bellows type	70-75 degree	C3731/1*	1
Foot type	74 degree	C28067	1
	82 degree	EBC3576	1
	88 degree	EBC3577	1
Plain type	74 degree	C27650	1
	82 degree	C27650/1	1

39. Thermostat gasket (use the photo to identify the type you have.)

EAC7044



C4985



C28222



EAC7045



C23234

**40. Thermostat housing**

240	7J1001 on	C28370	1
340	7J 50001 on	C28370	1

41. Water outlet pipe

MK2 2.4	BG1001 on	C15799	1
	BH1001 on		

MK2 3.4/3.8	All models	C15800/2	1
240	7J1001 on	C28892	1
340	7J 50001 on	C28892	1

42. Inlet manifold gasket

MK2 3.4/3.8/S-Type		C7619/1*	1
240/340			
Metal		C232321	1
Paper alternative		C41247	1

43. Stud	C2189	3
44. Stud	C6727	6
45. Threaded plug	C2157	3
46. Circlip	C16773	1

47. Head gasket

2.4/3.4 engines	Standard steel	C19112	1
	Composite	C19112COMP	1
3.8 engines	Standard steel	C19113	1
	Composite	C19113COMP	1

48. Cam cover stud

Camshaft caps and covers (shouldered)	C2326	16
---------------------------------------	-------	----

49. Exhaust manifold

MK2 2.4/240 Front	C18396	1
MK2 2.4/240 Rear	C18397	1
MK2 3.4/3.8/340 Front	C18398	1
MK2 3.4/3.8/340 Rear	C18399	1
S-Type 3.4/3.8 Front	C18398	1
S-Type 3.4/3.8 Rear	C18399	1

50. Cylinder head nut	C2328	14
------------------------------	-------	----

51. Round cylinder head nut washer	C10301	2
---	--------	---

52. D-shaped cylinder head nut washer	C2385	12
--	-------	----

53. Tappet guide

Standard	C7262	12
Bronze	C7262B	12

54. Tappet guide hold down kit (one kit per cam)

Prevents the guides working loose	SBS9219	A/R
-----------------------------------	---------	-----

55. Cylinder head hardware set	CR1050	1
---------------------------------------	--------	---

Full chrome kit of 14 head nuts, 12 D-shaped head washers, 2 round head washers, 26 cam cover & breather nuts and 26 camcover copper washers.

56. Ribbed breather hose (sold by the metre)

Early cars	C2485/1	A/R
------------	---------	-----

57. Automatic choke thermo switch	C33177	1
--	--------	---

58. Choke switch gasket	C2475	1
--------------------------------	-------	---

59. Head gasket set

MK2 2.4 no specific set available use	CE532	1
MK2 240 no specific set available use	CE532	1
MK2 3.4	CE532	1
MK2 340 no specific set available use	CE532	1
MK2 3.8	CE541	1
S-Type 3.4	CE532	1
S-Type 3.8	CE541	1

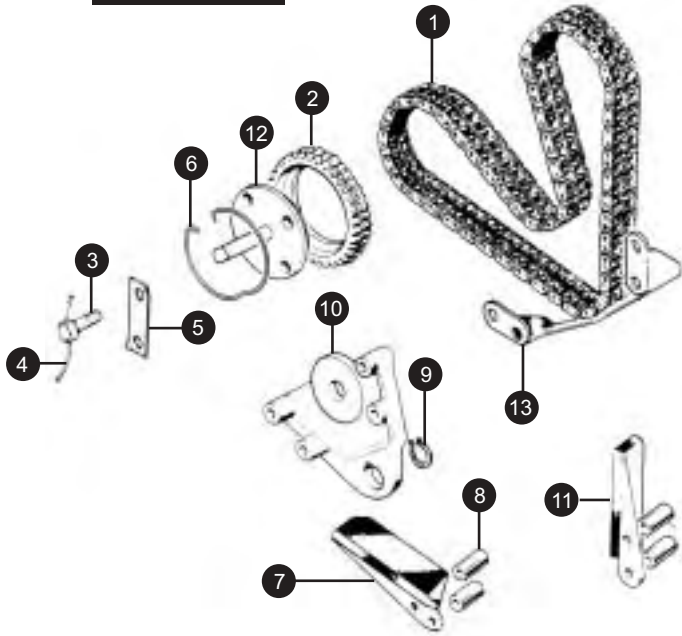
+44 (0) 1746 765432
sales.uk@sngbarratt.com+1 603 622 1050
sales.usa@sngbarratt.com+33 3 85 201 420
sngbarratt.france@wanadoo.fr+31 13 52 11 552
verkoop@sngbarratt.com

2.4/3.4/3.8 Timing Gear

Buy on-line at www.sngbarratt.com



UPPER

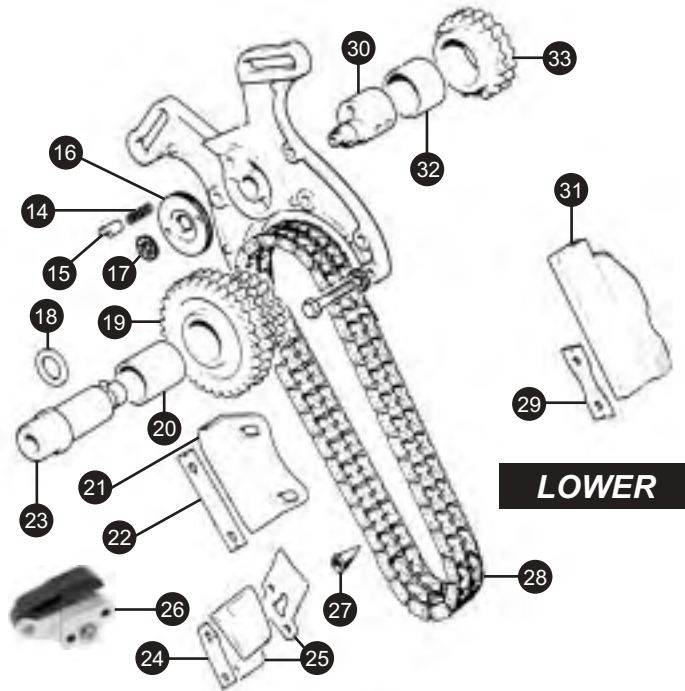


UPPER TIMING GEAR

1. Upper timing chain	C2256	1
2. Camshaft gear	C24686	2
3. Bolt	JZB100042	4
4. Locking wire (sold by the metre)	C21126	A/R
5. Locktab	C33917	2
6. Circlip	C30767	2
7. Chain guide	C13617	1
8. Spacer	C13660	4
9. Circlip	C2335	1
10. Bracket	C21703	1
11. Chain guide	C13616	1
12. Cam gear coupling	C34034	2
13. Top chain retainer	C25819	1

LOWER TIMING GEAR

14. Spring	C2297	1
15. Plunger	C4405	1
16. Micro adjuster plate	C4404	1
17. Washer	C30075/1	1
18. Shim	C16626	A/R
19. Intermediate sprocket	C25275	1
20. Bush	C2320	1
21. Chain guide		
240	C29125	1
2.4/3.4/3.8	C13615/1	1
22. Lock tab		
240	C28285	1
3.4/3.8	C20397	1
23. Idler sprocket shaft	C26608	1
24. Timing chain tensioner lock tab	C10333	1



LOWER

25. Timing chain tensioner	EAC3629	1
26. Competition timing chain tensioner		
Suitable for most 6 cyl XK engines with improved durability and increased chain life for demanding conditions.		
	EAC3629U	1
27. Filter	C13457	1
28. Lower timing chain		
2.4	C8654	1
3.4/3.8 models	C2255	1
29. Locktab	C20397	1
30. Eccentric shaft	C27189	1
31. Chain guide	C136141	1
32. Bush	C23191	1
33. Idler sprocket	C26740	1

3.4 & 3.8 ENGINE TIMING GEAR SETS

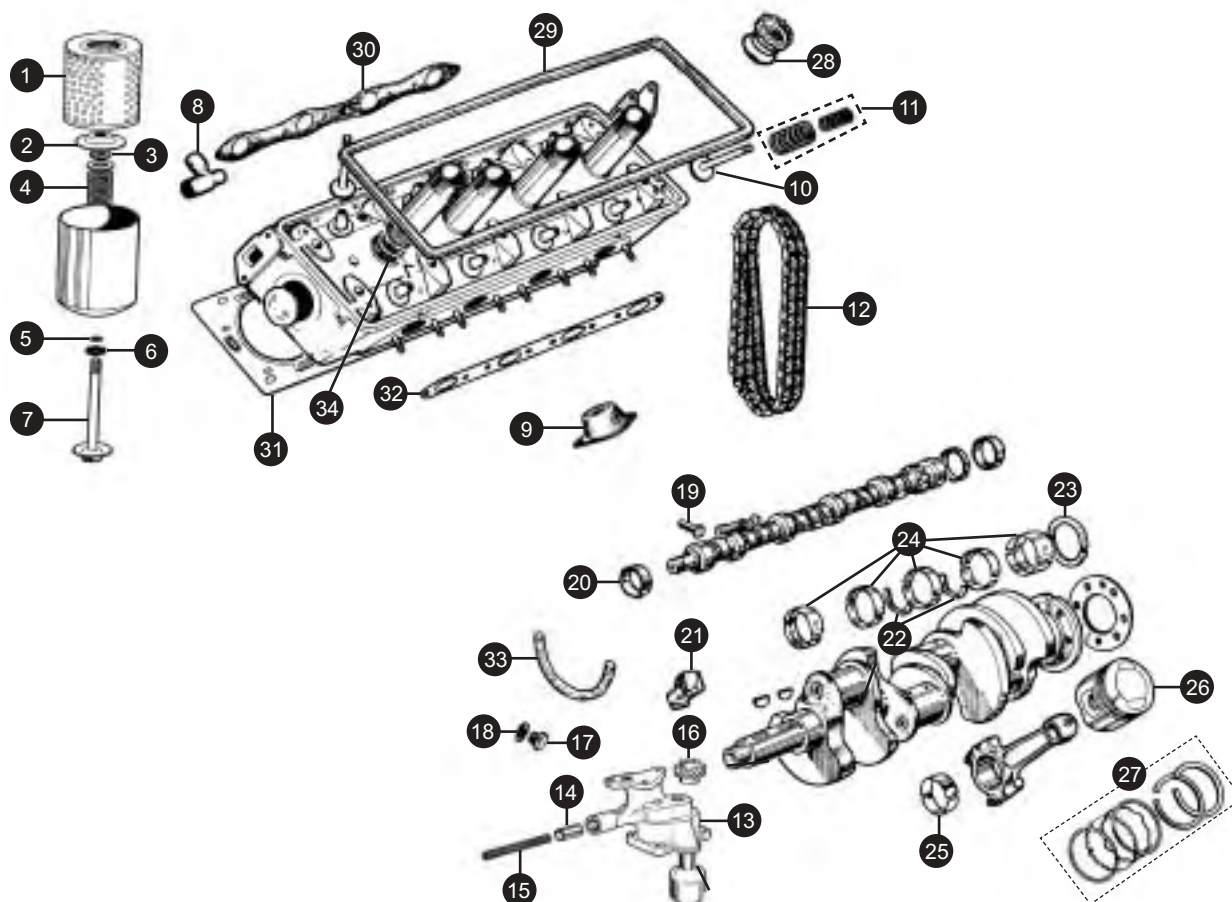
Minimum Kit TCK6MIN 1
Upper and lower timing chains, all guides, tensioner, lock washers and gauze filter.

Standard Kit TCK6 1
As TCK6MIN but with the addition of the camshaft gears and circlips, crankshaft gear and idler sprocket.

Major Kit TCK6MAJ 1
As TCK6 but with the further addition of the intermediate sprocket, idler shaft, micro adjuster plate etc. to provide a full kit of spares to entirely overhaul the timing gear.



Daimler V8 Engine

Buy on-line at www.sngbarratt.com

1. Oil filter element	8G683	1	21. Timing chain hydraulic tensioner	EAC3629	1
2. Oil filter pressure plate	9675	1	22. Crankshaft thrust washer	307680/1	2
3. Felt washer	11665	1	23. Crankshaft rear main oil seals	C19654	2
4. Spring	6159	1	24. Crankshaft main bearing set*	11228	1
5. Spring clip	9674	1	25. Conrod bearing set*	307715	1
6. Rubber washer	6158	1	26. Piston* (complete with rings)	C23842	8
7. Cannister bolt	10454	1	27. Piston ring set*	C23837	1
8. Cooling T hose on cylinder head	C21170	2	(* Usually available in standard to +40 sizes)		
9. Engine mounting	C18556	2	28. Rocker cover knurled nut O'ring	425280/25	8
10. Engine valve			29. Rocker cover gasket	307827	2
Inlet	307358	8	30. Inlet manifold gasket	307876	2
Exhaust	C26665	8			
11. Valve spring set	C21687/8	1	31. Cylinder head gasket	C22245	2
12. Timing chain	307363	1	32. Exhaust manifold gasket	307354	2
13. Oil pump assembly	C21975	1	33. Sump sealing cork	308402	2
14. Oil pressure relief valve	C22756	1	34. Spark plug tube sealing washer	430742	8
15. Oil pressure relief valve spring	431498	1			
16. Oil pump drive gear	430363	1			
17. Sump plug	C23435	1			
18. Sump plug washer	C2296/1	1			
19. Camshaft follower	430388	16			
20. Camshaft bearing set	RTC1132K	1			



+44 (0) 1746 765432
sales.uk@sngbarratt.com



+1 603 622 1050
sales.usa@sngbarratt.com



+33 3 85 201 420
sngbarratt.france@wanadoo.fr

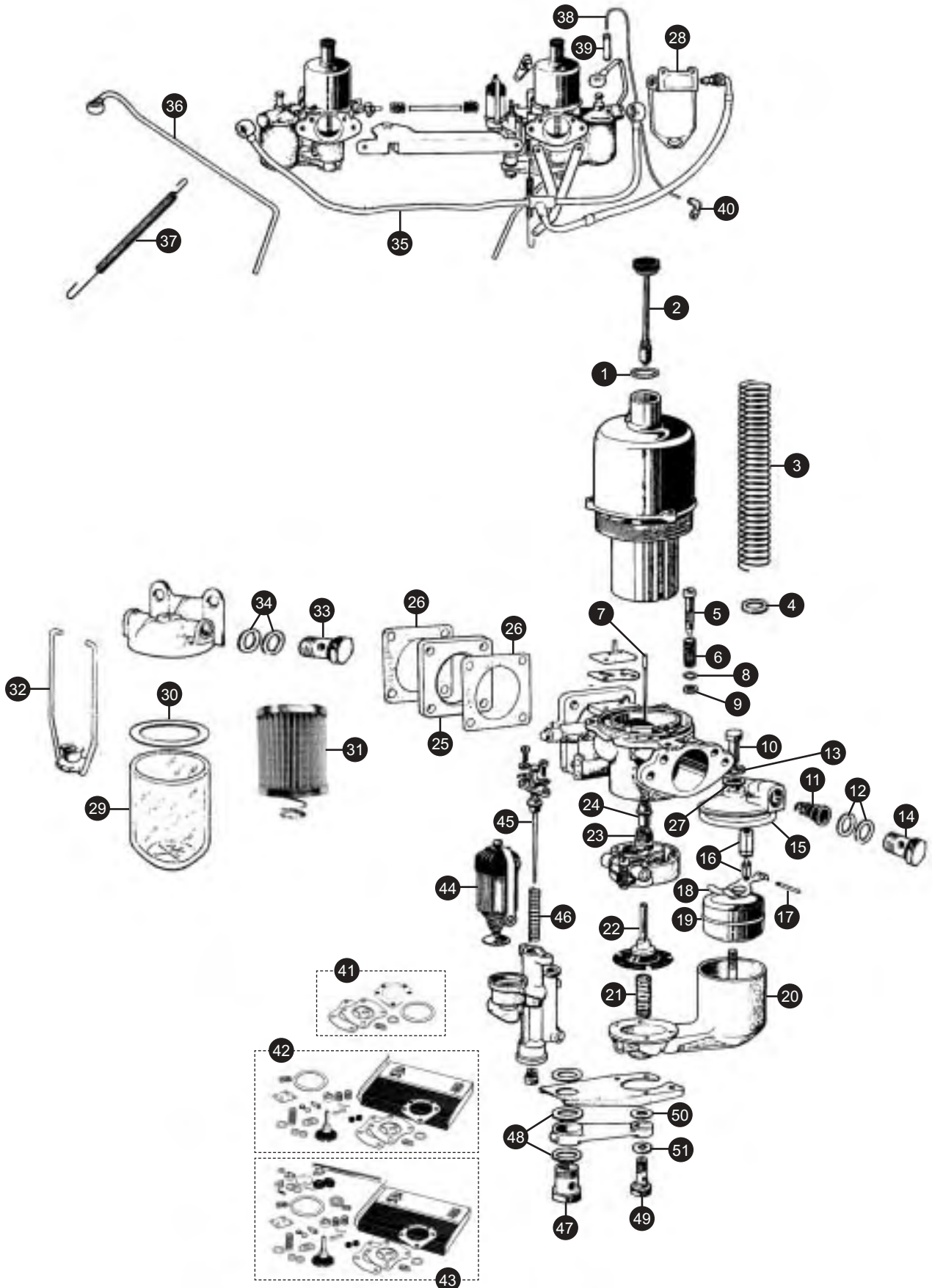


+31 13 52 11 552
verkoop@sngbarratt.com



SU Carburettors & Air Filters

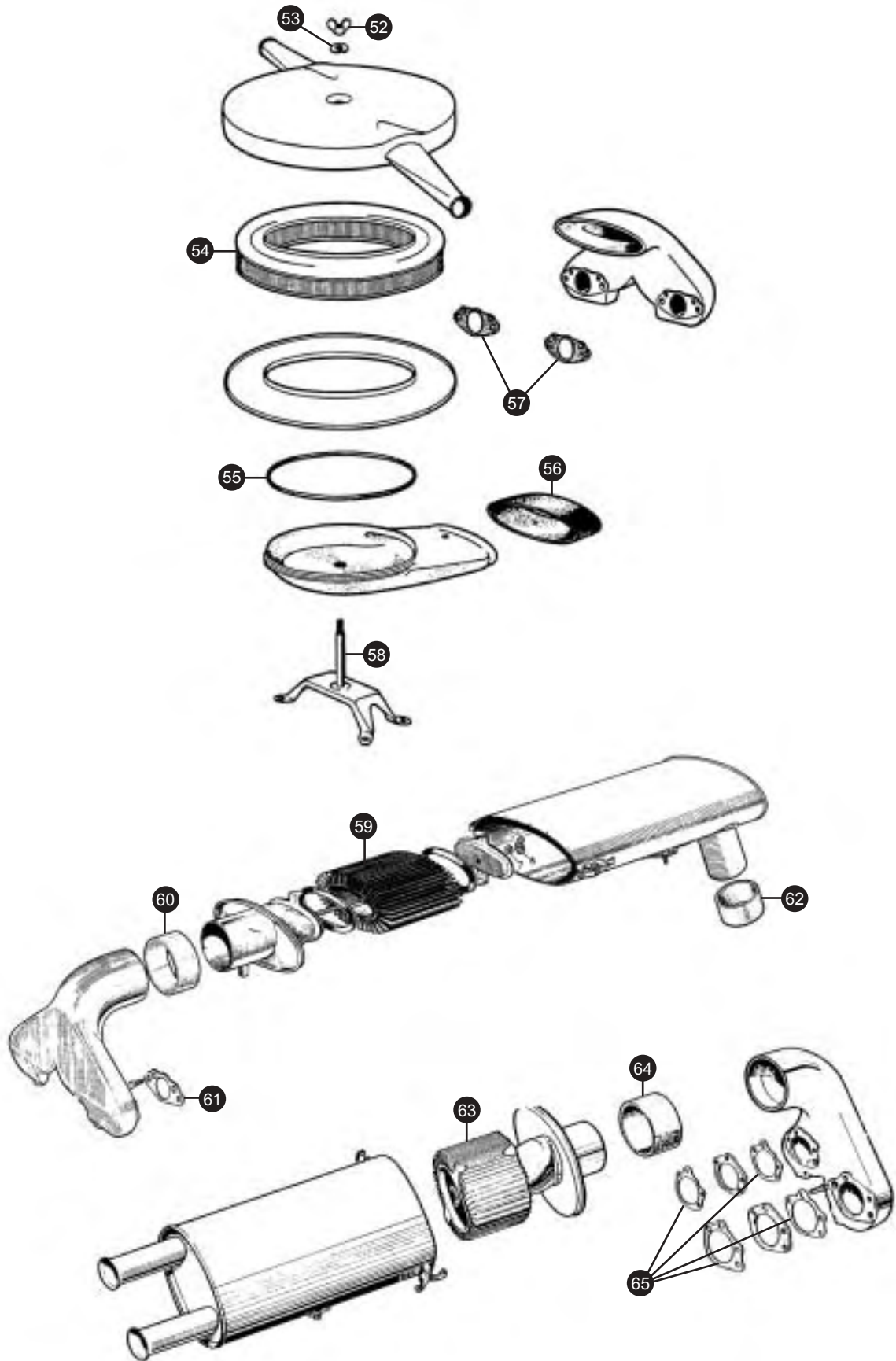
Buy on-line at www.sngbarratt.com





SU Carburettors & Air Filters

Buy on-line at www.sngbarratt.com



+44 (0) 1746 765432
sales.uk@sngbarratt.com



+1 603 622 1050
sales.usa@sngbarratt.com



+33 3 85 201 420
sngbarratt.france@wanadoo.fr



+31 13 52 11 552
verkoop@sngbarratt.com



SU Carburettors & Air Filters

Buy on-line at www.sngbarratt.com



1. Damper cap washer	JLM9631	2
2. Damper cap assembly	AUC8102	2
3. Piston spring	AUC4387	2
4. Retaining washer	AUC3071	2
5. Slow running/idle screw	6967	2
6. Spring	6966	2
7. Needle		

Correct needle is identified by a two or three letter marking at the base. If yours isn't listed, please contact us or refer to the cross-reference listing in our master catalogue.

SC	AUD1319	2
TM	AUD1354	2
CI	AUD1099	2
TL	AUD1353	2

8. Gland	AUC2029	2
9. Gland washer	AUC2030	2
10. Cap nut	5832	2
11. Filter spring assembly	AUC2139	2
12. Fibre washer	AUC2141	4
13. Serrated washer	AUC1928J	2
14. Banjo bolt	C11488	2
15. Float chamber lid gasket	AUC1147	2
16. Needle and seat valve	JLM9733	2
17. Float lever pivot pin	AUC1152	2
18. Float lever	AUD2285	2
19. Float	WZX1303	2
20. Float chamber		
Front carburettor	AUC2088	1
Rear carburettor	AUC2009	1

21. Jet diaphragm spring	AUC2006	2
22. Main jet & diaphragm	AUC8155	2
23. Jet bearing locking nut	AUC2002	2
24. Jet bearing	AUC2001	2
25. Carb insulator block	C33059	2
26. Gasket	C7221	4
27. Alum washer	AUC1557	2
28. Fuel filter assembly	C13681	1
29. Fuel filter glass bowl	7300	1
30. Seal to filter casting	C26310	1
31. Fuel filter (includes C26310 seal)	C28080	1
32. Glass bowl retaining strap	7301	1
33. Banjo bolt	C13705	1/2
34. Sealing washer	C784	2/4
35. Flexible fuel feed pipe	C14492	1
36. Carb overflow pipe	AUC3203	2
37. Return spring	C133551	1
38. Vacuum pipe	C21575	1
39. Rubber tube connector	C14212	1
40. Rubber elbow connector	C21573	1
41. Carb gasket set	AUE805	2

42. Carb service kit
Includes full gasket set, needle & seat, main jet & diaphragm and spindle seal set. CSK37 2

43. Carb repair kit
As per service kit with the addition of the throttle spindles and discs. CRK217 2

44. Automatic choke solenoid	AUD9490	1
45. Acceleration needle	AUC8129	1
46. Spring	AUC1041	1
47. Banjo bolt	C11488	1
48. Fibre washer	AUC4753	2
49. Banjo bolt	AUC2086	1
50. Fibre washer	AUC2089	1
51. Alum washer	AUC1557	1

MK2 3.4/3.8 Air filter

52. Wing nut	C16492	1
53. Washer	FG106X	1
54. Air filter element	C16484	1
55. Air filter seal	C16483	1
56. Joiner seal	C16486	1
57. Gasket	C26723	2
58. Air filter mounting bracket	C16488	1

340/S-Type Air Filter

59. Air filter element	C19530	1
60. Seal	C19735	1
61. Gasket	C26723	2
62. Seal	C23100	1

240 Air Filter

63. Air filter element	11713	1
64. Seal	C19735	1
65. Gasket	C26723	4



+44 (0) 1746 765432
sales.uk@sngbarratt.com



+1 603 622 1050
sales.usa@sngbarratt.com

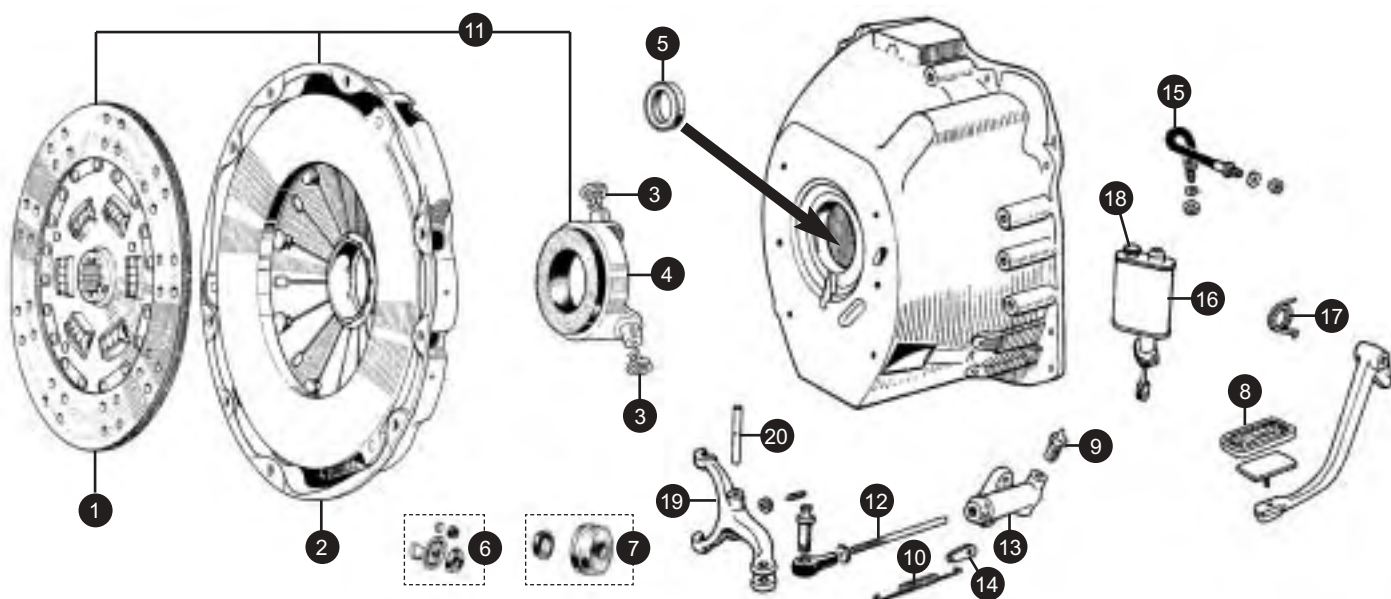


+33 3 85 201 420
sngbarratt.france@wanadoo.fr



+31 13 52 11 552
verkooop@sngbarratt.com

Clutch Mechanism

Buy on-line at www.sngbarratt.com**1. Clutch plate**

MK2 2.4	9"	HB8748	1
240	8.5"	HB9661	1
MK2 3.4/3.8	10" spring	HB8750Q	1
	9.5" diaphragm	HB8786	1
S-Type 3.4/3.8	10" spring	HB8750Q	1
	9.5" diaphragm	HB8786	1
Daimler V8	8.5"	HB9661	1

2. Clutch cover

MK2 2.4	9"	HA3359	1
240	8.5"	HE3332	1
MK2 3.4/3.8	10" spring	HA2521	1
	9.5" diaphragm	HE4562	1
S-Type 3.4/3.8	10" spring	HA2521	1
	9.5" diaphragm	HE4562	1
Daimler V8	8.5"	HE3332	1

3. Release bearing clip

C22479 2

4. Release bearing

MK2 2.4	9"	HD3306	1
240	8.5"	HD1099	1
MK2 3.4/3.8	10" spring	HD3306	1
	9.5" diaphragm	HD3319	1
S-Type 3.4/3.8	10" spring	HD3306	1
	9.5" diaphragm	HD3319	1
Daimler V8	8.5"	HD1099	1

5. Clutch housing oil seal

C18739 1

6. Clutch master cylinder repair kit

MK2/V8		6593	1
S-Type	Dunlop	SP2616	1
	Girling	11604	1

7. Clutch slave cylinder repair kit

8G8446J 1

8. Clutch pedal rubber

Jaguar	C8969	1
Daimler	C27521	1

9. Bleed nipple

6096 1

10. Spring

C5120 1

11. 3 piece clutch kit

3.4/3.8 MK2	10" spring	HK5229QAF	1
	9.5" diaphragm	HK9702Q	1
3.4/3.8 S-Type	10" spring	HK5229QAF	1
	9.5" diaphragm	HK9702Q	1

12. Adjustable push rod assembly

Most models C24147 1

13. Clutch slave cylinder

80mm long	C21470	1
95mm long	C29801	1

14. Spring plate

C5178 1

15. High pressure hose

C11603 1

16. Clutch master cylinder

MK2/V8	C20526	1
S-Type*	C27186	1

(*This will require C27160-A & C2189 x 2 to fit a car equipped with Dunlop cylinder VBM4734.)

17. Clutch pedal return spring

C8966 1

18. Clutch reservoir cap

MK2	513123J	1
3.4/3.8 S-Type	1578	1

19. Clutch arm

MK2/S-Type	C9797	1
Daimler V8	C27430	1

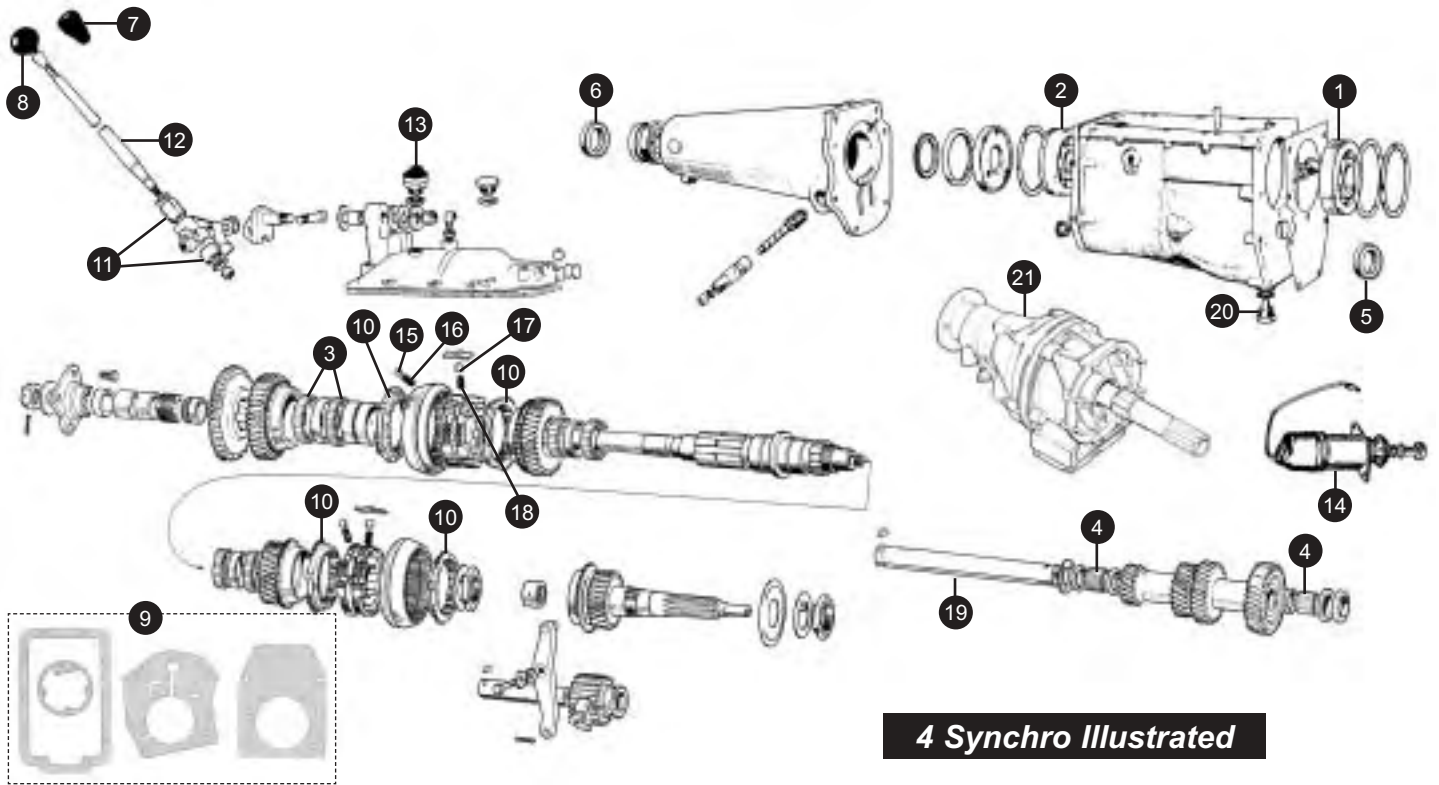
20. Clutch arm pivot shaft

C9857 1

+44 (0) 1746 765432
sales.uk@sngbarratt.com+1 603 622 1050
sales.usa@sngbarratt.com+33 3 85 201 420
sngbarratt.france@wanadoo.fr+31 13 52 11 552
verkoop@sngbarratt.com

2.4/3.4/3.8 Manual Gearbox

Buy on-line at www.sngbarratt.com



1. Front bearing			
3 synchro	C1838	1	
4 synchro	C20491	1	
2. Rear bearing			
	C1845/1	1	
3. Mainshaft needle roller			
3 synchro	C1850/1	332	
4 synchro	C231093	332	
4. Layshaft needle roller			
	C38573	58	
5. Front oil seal			
	C18739	1	
6. Rear oil seal			
Non overdrive	C9836	1	
Overdrive	NKC39A	1	
7. Gear knob			
3 synchro	C16154	1	
8. Gear knob			
4 synchro	C23007	1	
9. Gasket set			
3 synchro	Non Overdrive	ENT101	
	Overdrive*	ENT101/A	
4 synchro		ENT104	
* Overdrive unit gaskets are not included.			
10. Synchromesh rings			
4 synchro only	C22391	4	
11. Gear lever bush			
3 synchro	C1915	2	
4 synchro	Upper	C22394	1
	Lower	C21921	1

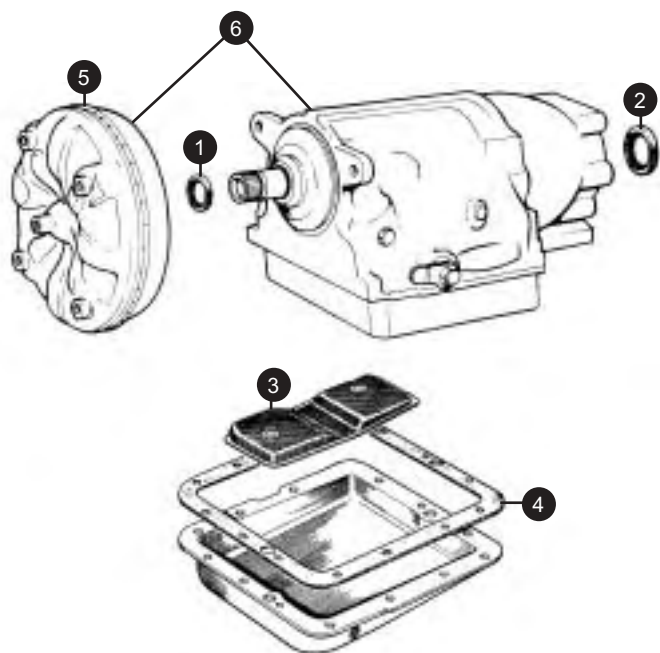
12. Gear lever			
3 synchro	C2462	1	
4 synchro	C23178	1	
13. Reverse light switch			
	DAC3844	1	
14. Overdrive solenoid			
A-type	10002	1	
15. Detent ball			
3 synchro	C922	15	
4 synchro	C1319	6	
16. Detent ball spring			
3 synchro	C900	12	
4 synchro	C24181	6	
17. Detent plunger			
3 synchro	C901/1	12	
4 synchro	C21088	6	
18. Detent plunger spring			
Not S1 3.8 (6 required)	C27491	6	
19. Countershaft			
3 synchro	C1856	1	
4 synchro	C39665	1	
20. Drain plug			
3 synchro	C23435	1	
4 synchro	C19543	1	

21. Exchange gearboxes & overdrive units
 We offer a full reconditioning service, please contact us for more information on pricing and turnaround.



Automatic Gearbox

Buy on-line at www.sngbarratt.com



DG Illustrated

1. Front seal

DG	3623	1
Model 35	BAU1034J	1

2. Rear seal

DG	3762	1
Model 35	RTC447	1

3. Filter

DG	6688	1
Model 35 front pump	9844	1
rear pump	9845	1

4. Sump gasket

DG	3736	1
Model 35	RTC1871	1

5. Torque converter

DG (Exchange only)	DGTC	1
Model 35	35TC	1

6. Gearbox and torque converter

DG (Exchange only)	DGGBTC	1
Model 35	35TC	1

Gasket & seal kit (not illustrated)

DG	DGGK	1
Model 35	35TC	1

Overhaul kit (not illustrated)

<u>DG</u>		
Standard kit	DGOK	1
Master kit (with clutches)	DGMOK	1

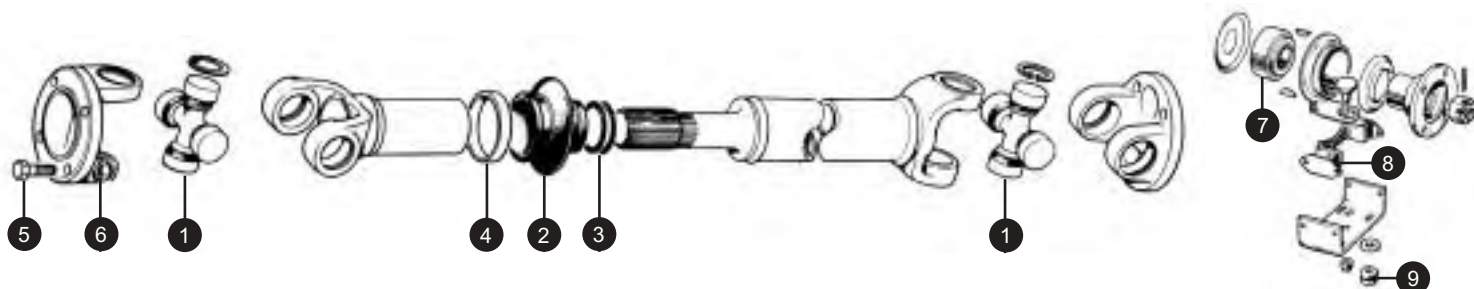
Model 35

Standard kit	35OK	1
Master kit (with clutches)	35MOK	1

Many other parts are available for the automatic gearbox, so please contact us if what you need isn't listed...

Propshaft

Buy on-line at www.sngbarratt.com



1. Universal joint

Early small type		46	1
Later large type	standard	JLM823	2
	uprated	JLM823U	2

2. Joint gaiter

JLM1543	1
---------	---

3. Rubber retaining ring

9412	2
------	---

4. Steel retaining ring

9413	1
------	---

5. Propshaft bolt

C19827	8
--------	---

6. Propshaft nut

NZ606041J	8
-----------	---

Centre bearing type propshaft

7. Centre bearing	250*	1
8. Centre mounting	C36791	1
9. Grommet	CBC1448	2



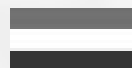
+44 (0) 1746 765432
sales.uk@sngbarratt.com



+1 603 622 1050
sales.usa@sngbarratt.com



+33 3 85 201 420
sngbarratt.france@wanadoo.fr

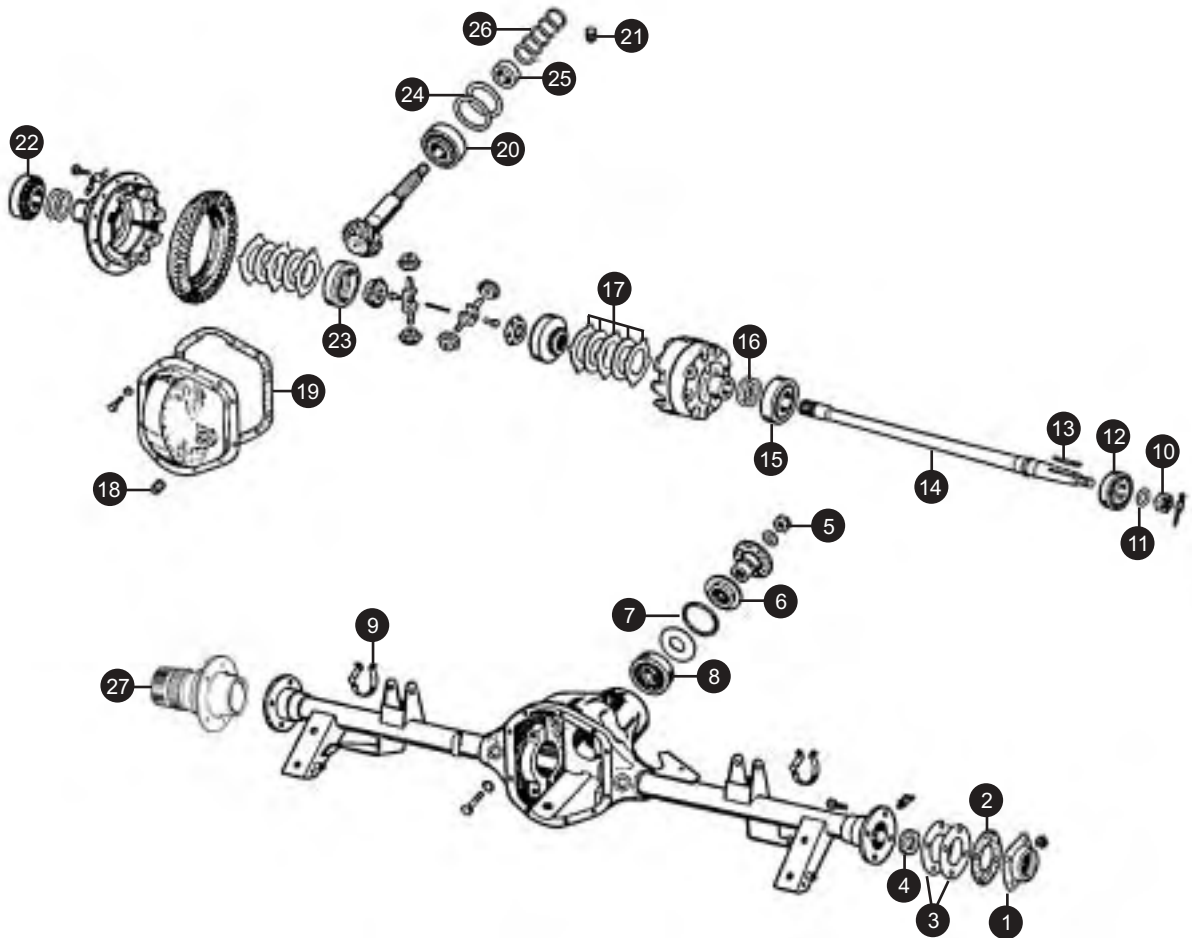


+31 13 52 11 552
verkoop@sngbarratt.com



MK2 & V8 Rear Axle

Buy on-line at www.sngbarratt.com



MK2 & V8 Rear Axle

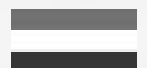
1. Hub seal		7953	2
2. Hub gasket		4149	2
3. Bearing shim	0.003"	4145	A/R
	0.005"	4146	A/R
	0.010"	4147	A/R
	0.030"	4148	A/R
4. Inner tube seal		4144	2
5. Pinion nut		11099	1
6. Pinion seal		3840	1
7. Pinion seal gasket		607183J	1
8. Outer pinion bearing		3843	1
9. Brake pipe clip		C7860	A/R
10. Hub nut		4141	2
11. Hub nut washer		4142	2
12. Hub bearing kit (including seal)		7993K	2
13. Woodruff key		C11835	2
14. Axle shaft		7995	2
15. Diff case bearing		3845	2
16. Shims	0.003"	3935	A/R
	0.005"	3936	A/R
	0.010"	3937	A/R
	0.030"	3938	A/R

17. Friction plates

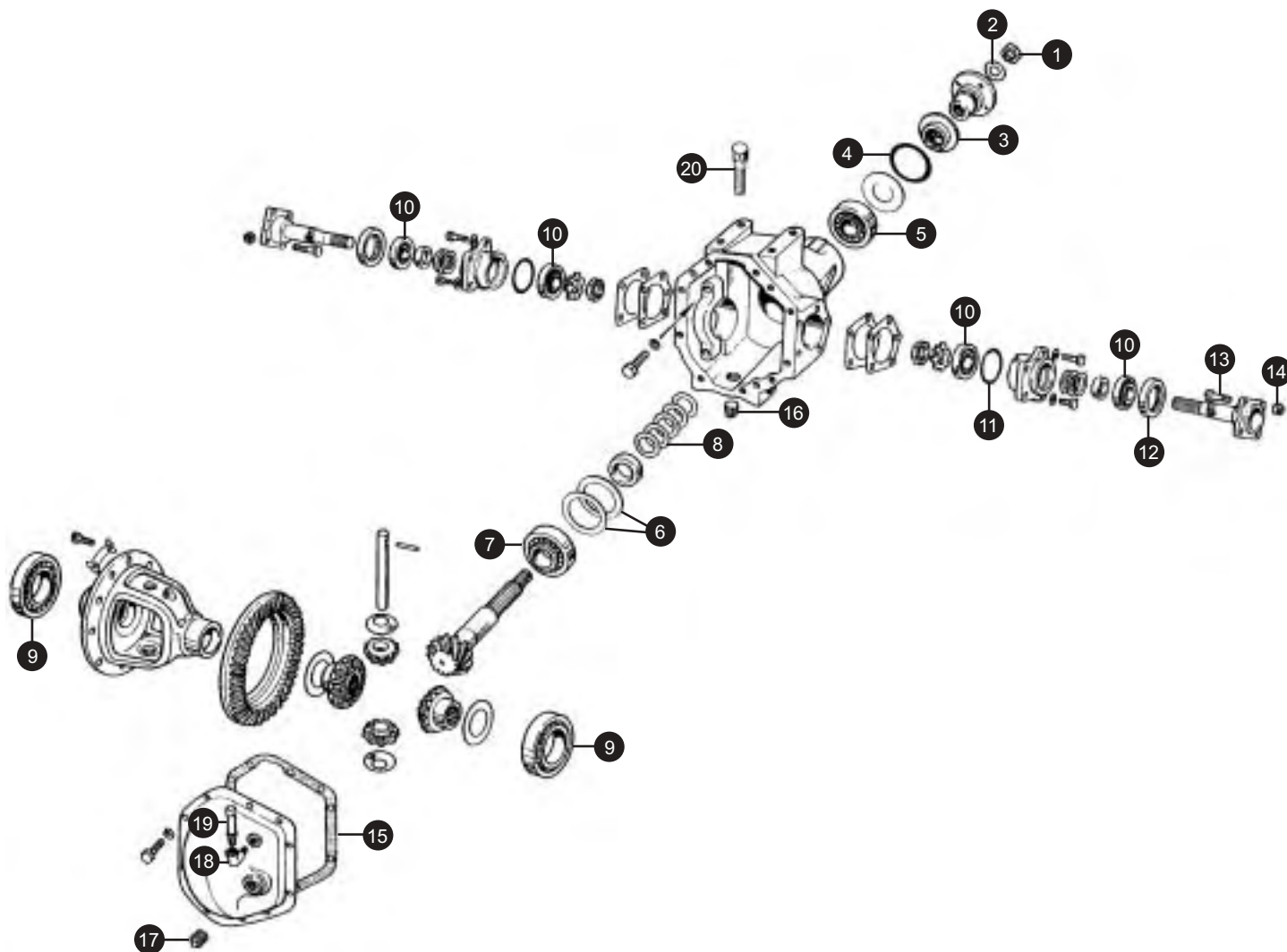
Flat	RTC1349A	4
Dished	RTC1350A	2
Friction	RTC1416A	4
18. Filler plug	607172J	1
19. Backplate gasket	3931	1
20. Inner pinion bearing	3844	1
21. Drain plug	607172J	1
22. Diff case bearing	3845	2
23. Side gear ring	11290	2
24. Inner pinion bearing shim		
	0.003"	3860 A/R
	0.005"	3861 A/R
	0.010"	3862 A/R
25. Distance washer	8029	1
26. Outer pinion bearing shim		
	0.003"	3856 A/R
	0.005"	3857 A/R
	0.010"	3858 A/R
	0.030"	3859 A/R
27. Wire wheel splined hub		
	RH	C19225/1 1
	LH	C19226/1 1

Exchange rear axles

We offer a full reconditioning service, please contact us for more information on pricing and turnaround.



S-Type Differential

Buy on-line at www.sngbarratt.com

S-Type Differential

1. Pinion nut		11099	1
2. Pinion nut washer		WA120000J	1
3. Pinion seal		3840	1
4. Pinion seal gasket		607183J	1
5. Outer pinion bearing		3843	1
6. Shim	0.003"	3860	A/R
	0.005"	3861	A/R
	0.010"	3862	A/R
7. Inner pinion bearing		3844	1
8. Shim	0.003"	3935	A/R
	0.005"	3936	A/R
	0.010"	3937	A/R
	0.030"	3938	A/R
9. Inner bearing		3845	2

10. Outer bearing

Early	8495	2
Later	11101	2

11. Bearing housing 'O' ring	8950	2
12. Output shaft seal	8436A	2
13. Output flange stud	8510	8
14. Brake disc nut	NV607041J	8
15. Gasket	3931	1
16. Drain plug	607172J	1
17. Filler plug	607172J	1
18. Breather elbow	8509	1
19. Breather	C25716	1
20. Mounting bolt	JZS100090	4

Exchange rear axles

We offer a full reconditioning service, please contact us for more information on pricing and turnaround.



+44 (0) 1746 765432
sales.uk@sngbarratt.com



+1 603 622 1050
sales.usa@sngbarratt.com



+33 3 85 201 420
sngbarratt.france@wanadoo.fr

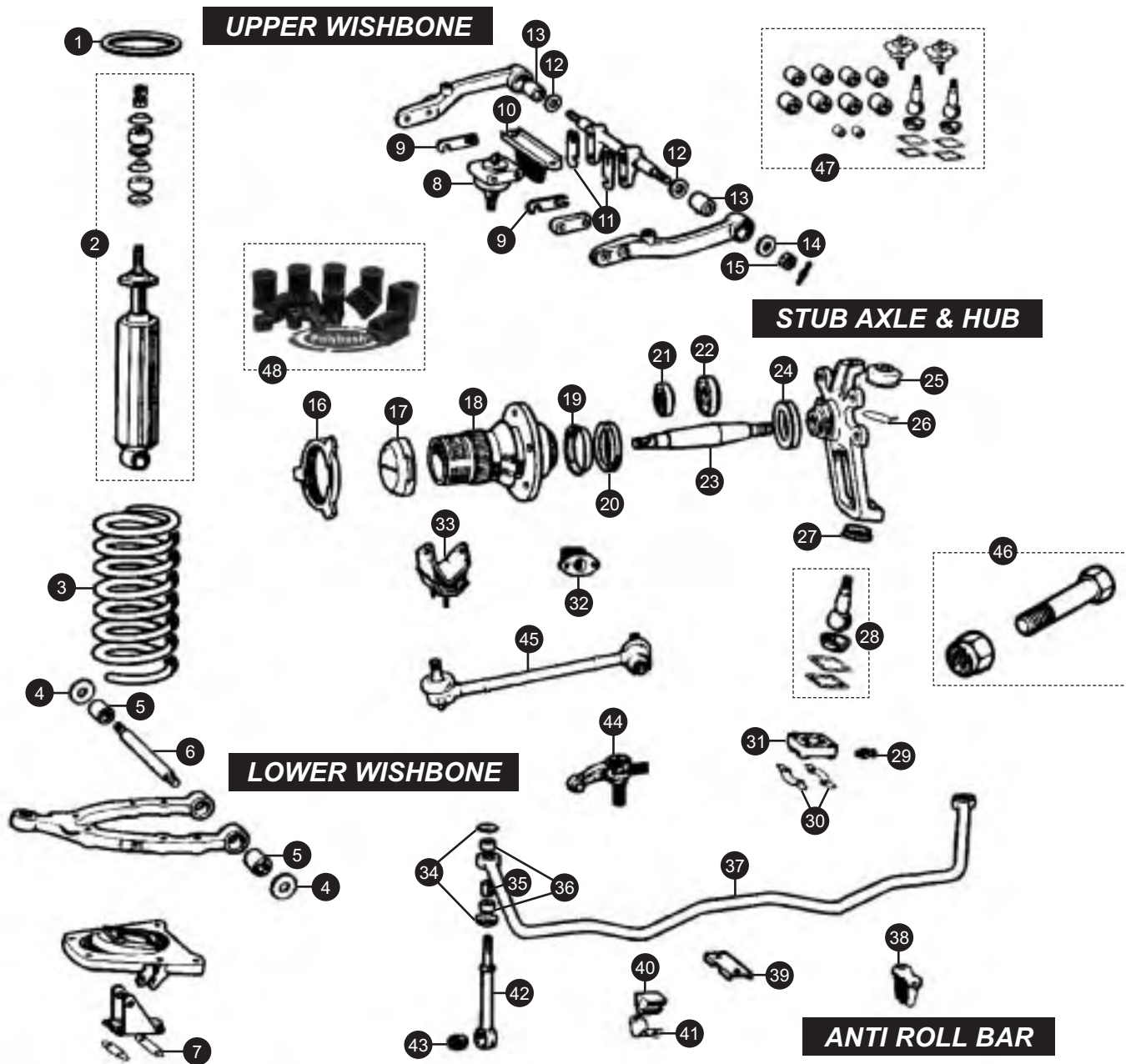


+31 13 52 11 552
verkoop@sngbarratt.com



Front Suspension

Buy on-line at www.sngbarratt.com



1. Spring spacer	C11874	0.25"	A/R
	C118741	0.125"	A/R
2. Shock absorber	Standard	C20989B	2
	Koni	82-1019	2
Please ring for our current range of adjustable shock absorbers			
3. Road spring			
	MK2.4/240/V8	C16953	2
	MK2 3.4/3.8/340	Standard C16954	2
		Uprated C16954U	2
S-Type	C21958	2	
4. Washer	C8676/1	4	
5. Lower wishbone bush			
	Standard	C8673	4
	Polyurethane	C8673U	4

6. Lower fulcrum shaft	C10778	2	
7. Lock tabs	long	C8690	2
	short	C8677	2
8. Upper ball joint	Sealed type	CAC9938	2
	Original style	GSJ145	2
9. Shim adjusting castor angle	CBC64162	A/R	
10. Upper bump stop	C17172	2	
11. Shim adjusting camber angle			
	0.064"	C8918/1	A/R
	0.048"	C8918/2	A/R
	0.036"	C8918/3	A/R
12. Washer	C8675	4	



Front Suspension

Buy on-line at www.sngbarratt.com

13. Upper wishbone bush

Standard	C8672	4
Polyurethane	C8672U	4

14. Washer

C8676/1 4

15. Nut

NL608041J 4

16. Three eared spinner tool

C28687 1

17. Chrome spinner

Two eared

Jaguar	RH	C1102	1
	LH	C1103	1

Daimler	RH	C1102D	1
	LH	C1103D	1

Three eared

Jaguar	RH	C28684	1
	LH	C28685	1

Daimler	RH	C21270	1
	LH	C21271	1

18. Wire wheel splined hub

RH	C19225/1	1
LH	C19226/1	1

19. Water deflector wire wheels

C18843 2

20. Water deflector steel wheels

C18842 2

21. Outer wheel bearing*

C15352 2

22. Inner wheel bearing*

C15351 2

(*Included in front wheel bearing kit JLM257)

23. Stub axle shaft

C19423 2

24. Hub oil seal*

C15350 2

(*Included in front wheel bearing kit JLM257)

25. Ball joint gaiter	Clear	C43216	4
	Black	C43216BLK	4

26. Retaining clip

C22969* 4

27. Ball pin spigot

C30952 2

28. Lower ball joint kit*

QSJ221RK 2

(* It is possible to fit the JLM11860 'sealed for life' bottom ball joint used on the XJ's and XJ40's. This is considered to be a worthwhile modification as it won't require periodic greasing or reshimming. However it will be necessary to remove the ball pin spigot from the the stub axle carrier to facilitate fitment.)

29. Grease nipple

C3044/1 2

30. Lock tab

C15343 4

31. Ball joint cup

C24222 2

32. Crossmember front sandwich mounting

C23314 2

33. Crossmember rear "V" mounting

C9004 2

34. Washer

C11045 4

35. Spacing tube

C11047 2

36. Bush

Standard C10996 4

Polyurethane C10996U 4

37. Anti roll bar

Upated C14035U 1

38. Lower bump stop

C13918 2

39. Retaining plate

C18303 2

40. Anti roll bar mounting bush

C14983 2

41. Anti roll bar support bracket

MNA3501AA 2

42. Anti roll bar link rod

C20764* 2

43. Eye bush

Standard C10940 2

Polyurethane C10940U 2

44. Drag link end

Manual steering*	RH	C29089R	1
	LH	C29090	1

Power steering*

RH C29094 1

LH C29095 1

*Draglink end pin & bush

(Some original manual steering drag link ends are re-bushable and some are not. If yours has a smooth washer with a dimple on the bottom it is non-rebushable)

Standard 133101 2

Upated 133101U 2

45. Track bar assembly

Adjustable (sold singularly)

C22678/1 2

(Original bars had a LHT & RHT on ends, modern copies only have RHT on both ends, so it will be necessary to disconnect one end in order to adjust them on the vehicle.)

Fixed (sold in pairs)

QDL288 2

(Fixed ends set to optimum length by the manufacturer. This will then require any adjustment to be made on the centre bar.)

46. Nuts & Bolts

ARB bush keep plate bolt SH606141J 4

Bottom ball joint cap to housing bolt C15344 8

Stub axle shaft inner nut C86677 2

Lower shock absorber bolt C8925 2

Lower shock absorber nut NY607041J 2

Bolt through upper balljoint- short C15903 2

Bolt through upper ball joint- long C17171 2

Bolt through upper ball joint- nut NY606041J 4

Bottom shocker bracket bolt SH605081 8

Nut for top of ARB link NZ606041J 2

ARB link bottom bush bolt BH607141J 2

ARB link bottom bush nut NY607041J 2

Upper ball joint nut C8737/5 2

Lower ball joint nut C87376 2

Front sandwich mounting centre nut NY607041J 2

Front sandwich mounting fixing bolt SH606071J 4

Front sandwich mounting fixing bolt- nut NZ606041J 4

Lower bump stop fixing bolt SH605061J 4

Lower bump stop fixing bolt- nut NY605041J 4

Vee mounting stud- nut NZ606041J 4

Vee mounting attachment bolt BH606261J 2

Vee mounting attachment bolt- nut NZ606041J 2

47. Front suspension rebuild kit

Includes all standard suspensions bushes with upper and lower ball joints. SU9010 1

48. Polybush polyurethane bush set

Improve handling, longer life and simple to fit!

SU9010PB 1



+44 (0) 1746 765432
sales.uk@sngbarratt.com



+1 603 622 1050
sales.usa@sngbarratt.com



+33 3 85 201 420
sngbarratt.france@wanadoo.fr

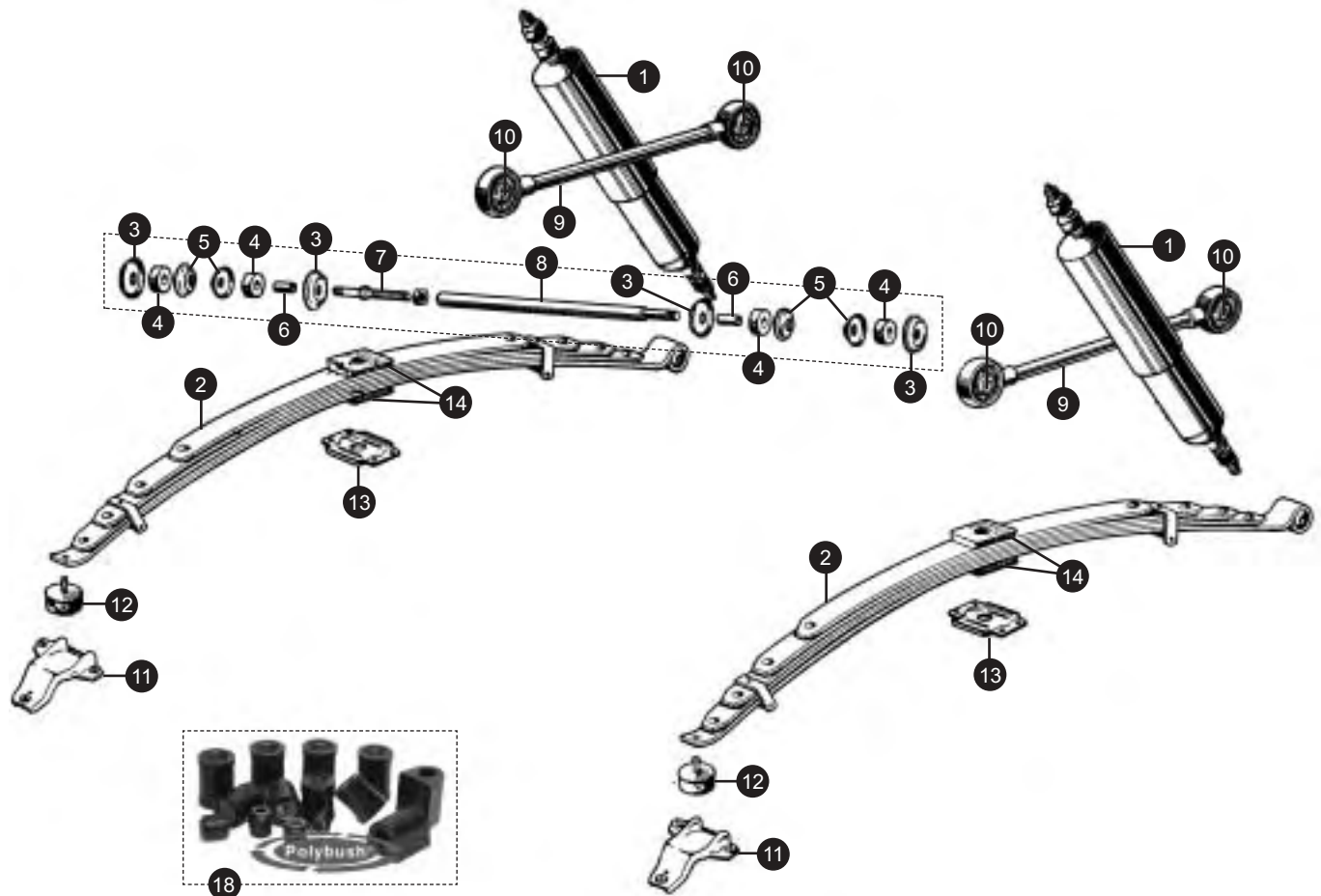


+31 13 52 11 552
verkoop@sngbarratt.com



MK2 & V8 Rear Suspension

Buy on-line at www.sngbarratt.com



1. Shock absorber

Standard	C20990B	2
Koni	82-1044	2

Please ring for our current range of adjustable shock absorbers

2. Leaf spring

Standard	C10791/2	2
Uprated	C10791/2U	2

3. Thick outer washer

C11042	4
--------	---

4. Panhard rod bush

C10995	4
--------	---

5. Thin inner washer

C11043	4
--------	---

6. Spacer tube

C11047	2
--------	---

7. Panhard rod adjusting end

C11996	1
--------	---

8. Panhard rod

C14140	1
--------	---

9. Torque arm

C11091	2
--------	---

10. Torque arm bush

C8949	4
-------	---

11. Front mounting plate

C12343	2
--------	---

12. Spring end pad

C10843*	2
---------	---

13. Spring centre mounting plate

C10845	2
--------	---

14. Spring centre mounting pad

C10844	4
--------	---

15. Panhard rod repair kit

includes bushes, tubes, nuts, washers	C14140K	1
---------------------------------------	---------	---

16. Nuts & bolts

Rear spring eye bolt BH607261J	2	
Rear spring eye bolt- nut		NY607041J 2
Round spring pad locking nut		NZ606041J 2
Spring front mounting plate bolt		SH605071J 4
Spring front mounting plate bolt- nut		NY605041J 4
Spring centre mounting plate bolt		SH605071J 8
Spring centre mounting plate bolt- nut		NY605041J 8
Bolt through torque arm bush		BH607201J 4
Bolt through torque arm bush- nut		NY607041J 4
Panhard rod adjusting end locking nut		NT609041 1
Nut on each end of panhard rod		C8737/5 2

17. Polybush polyurethane bush set

SU9016PB	1
----------	---

Improve handling, longer life and simple to fit!

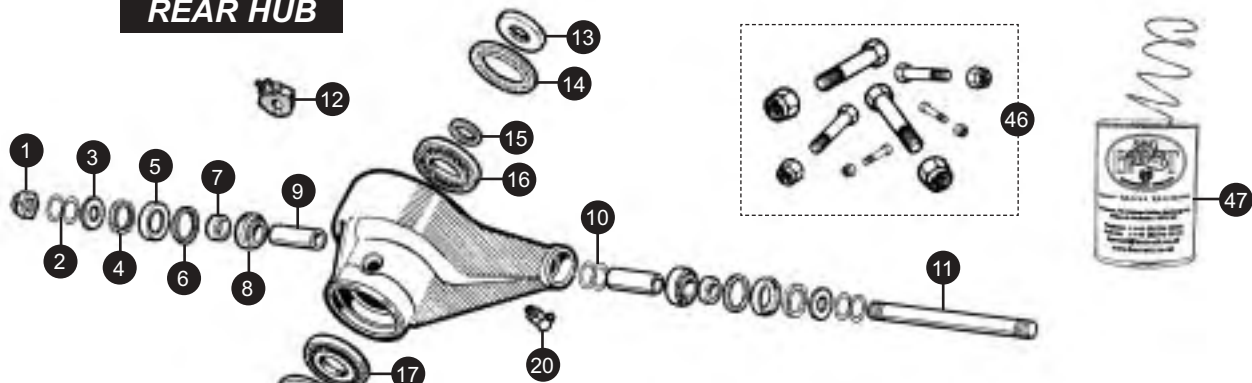


S-Type Rear Suspension

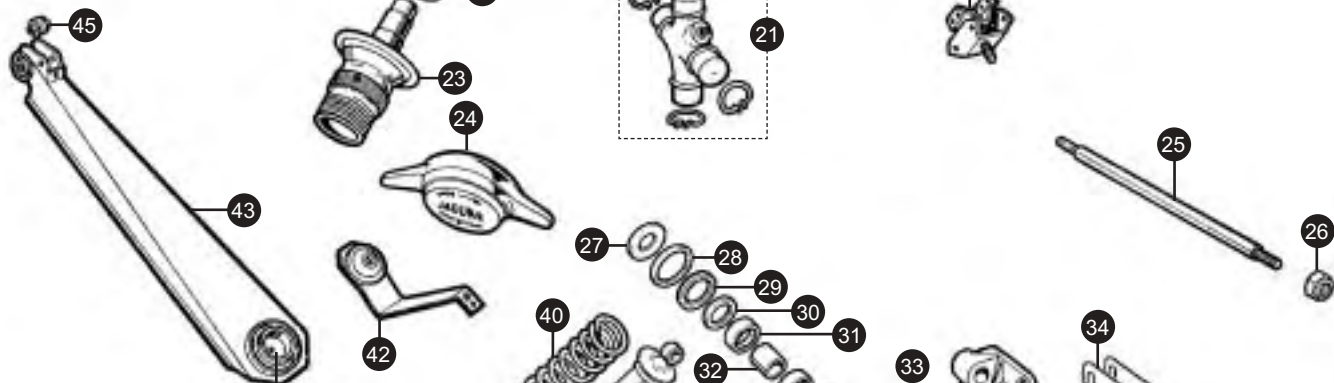
Buy on-line at www.sngbarratt.com



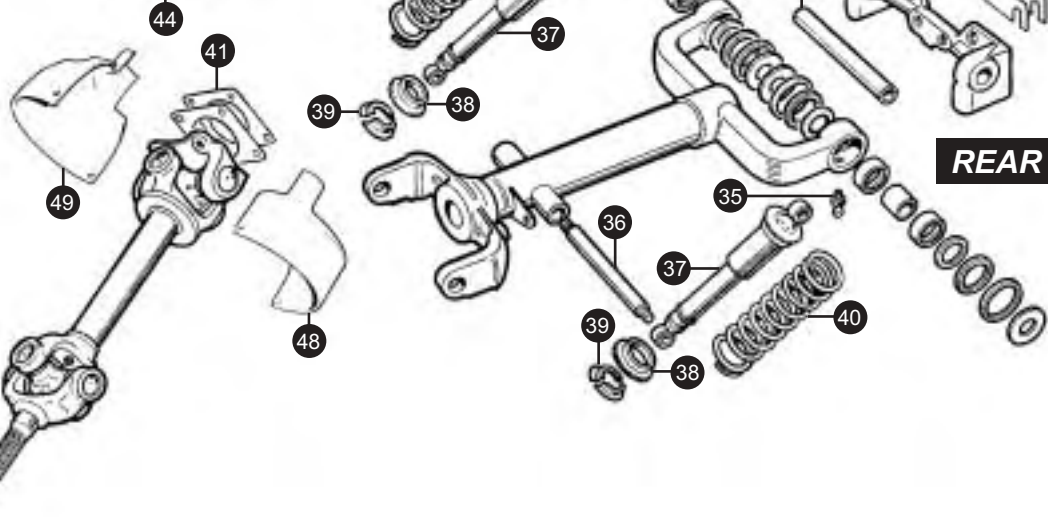
REAR HUB



RADIUS ARM



REAR WISHBONE



+44 (0) 1746 765432
sales.uk@sngbarratt.com



+1 603 622 1050
sales.usa@sngbarratt.com



+33 3 85 201 420
sngbarratt.france@wanadoo.fr



+31 13 52 11 552
verkoop@sngbarratt.com



S-Type Rear Suspension

Buy on-line at www.sngbarratt.com

OUTER FULCRUM

1. Nut*		NY607041J	4
2. Shim*	0.003"	C166261	A/R
	0.007"	C166262	A/R
3. Retaining washer*		C20182	4
4. Felt oil seal*		C20178	4
5. Oil seal retainer*		C20179	4
6. Spacer*		C20180	4
7. Seal seating ring*		C16628	4
8. Outer fulcrum shaft bearing*		C16029	4
9. Sleeve*		C166231	4
10. Shim*	0.004"	C16626	4
	0.007"	C166263	4

* Items 1-10 are available as outer fulcrum repair kit C16029FK which contains enough parts for one side. 2

11. Outer fulcrum shaft	C16624	2
12. Bump stop	C40158	2
13. Seating ring for inner oil seal	CCC6807	2
14. Inner hub oil seal*	C15231	2
15. Hub bearing spacer various sizes	CCC6806	A/R
16. Inner hub bearing*	C15230	2
17. Outer hub bearing*	C19066	2
18. Outer hub seal*	C24789	2

* Included in rear wheel bearing kit JLM9732E 2

19. Seal seating ring	C24791	2
20. Grease nipple	LN30041J	2

21. Drive shaft universal joint		
Standard	JLM9639	4
Upated	JLM9639U	4

22. Cradle mounting		
Standard	C17198	4
Neoprene	C17198P	4

23. Wire wheel splined hub		
RH	C20889	1
LH	C20890	1

24. Chrome spinner

Two eared

Jaguar	RH	C1102	1
	LH	C1103	1

Daimler	RH	C1102D	1
	LH	C1103D	1

Three eared

Jaguar	RH	C28684	1
	LH	C28685	1

Daimler	RH	C21270	1
	LH	C21271	1

INNER FULCRUM

25. Inner fulcrum shaft	C17008	2
26. Nut*	NY608041J	4

27. Thrust washer*	C17165	8
28. Oil seal retainer*	C17936	8
29. Sealing ring*	C17213	8
30. Thrust washer*	C17166	8
31. Inner fulcrum shaft bearing*	C17167	8
32. Bearing tube*	C17168/1*	4

* Items 26-32 are available as inner fulcrum repair kit C17167FK which contains enough parts for one side.

33. Fulcrum shaft distance tube	C176631	2	
34. Shim	0.005"	C28427	A/R
	0.007"	C28428	A/R

35. Grease nipple	C3044/1	4
36. Shock absorber mounting shaft	C17013	2

37. Shock absorber		
Standard	C20606B	4
Koni	80-1572	4

Please ring for our current range of adjustable shock absorbers

38. Spring seat*	C19821	4
39. Split collet*	8687	8

(* For use with original style of shock absorbers only)

40. Coil spring	C23167	4
41. Shim	C16621	A/R
42. Radius arm safety strap	C42220	2
43. Radius arm with bushes	C23824	2
44. Large radius arm bush		
Standard	MHC3170AA	2
Polybush	MHC3170U	2
Polybush Racing Red	MHC3170/RED	2

Bolt through bush	CBC9362	2
--------------------------	---------	---

34. Small radius arm bush		
Standard	MHC3160AA	2
Polybush	MHC3160U	2
Polybush Racing Red	MHC3160/RED	2

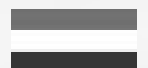
Bolt through bush	C17149/1	2
--------------------------	----------	---

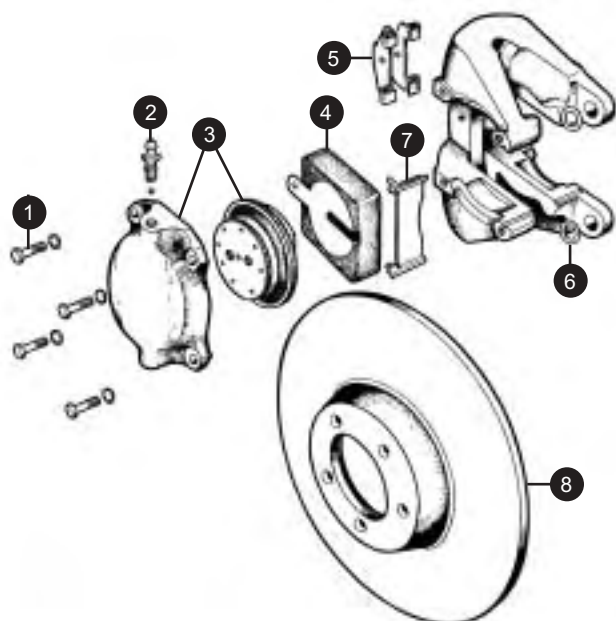
46. Nuts & bolts

Cradle mounting to body bolt	SH605071J	8
Cradle mounting to body bolt	UFS131/25R	8
Nut for cradle mounting bolt & studs	NY605041J	20
Shock absorber top mounting bolt	BH607171	4
Shock absorber top mounting bolt-nut	NY607041J	4
Nut for shock absorber lwr mtg shaft	NY607041J	4
Safety strap to body bolt	SH605061J	2
Brake disc retaining nut	NV607041J	8

47. Stainless steel locking wire		
Sold by the metre	C21126	A/R

48. Half shaft cover	C23616	2
49. Half shaft cover	C28844	2



MK2 & V8 BrakesBuy on-line at www.sngbarratt.com**FRONT****FRONT BRAKES**

1. Bolt	7720	16
2. Bleed nipple & ball bearing	6911	2
Ball available separately if required	5685	2
3. Piston and cylinder assembly		
Standard	8777	4
Stainless steel	8777SS	4

Four piston front caliper conversions

A quick and easy conversion to fit that has four stainless steel pistons housed within a solid XJ style caliper offering the benefit of greater braking power but also greatly increasing the pad area contacting the brake disc.

Kit to fit existing standard solid discs	SBS9086	1
Supplied with vented discs	SBS9093	1

4. Brake pad set

Standard	10821	1
Kevlar	10821K	1

5. Brake pad retaining plate

	9068	2
--	------	---

6. Caliper position adjusting shim

0.004"	C7569	A/R
0.010"	C11723	A/R

7. Brake pad support plate

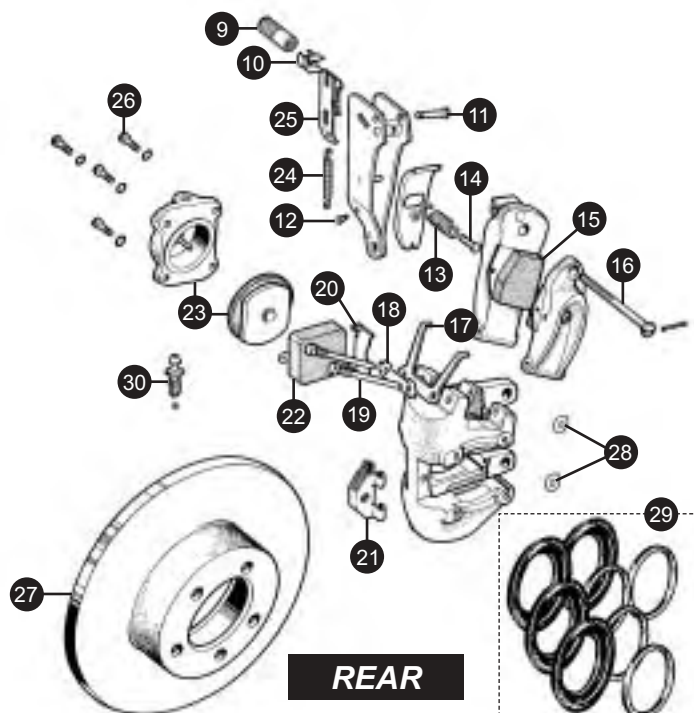
	7718	4
--	------	---

8. Front brake disc

Standard	C23484	2
Upated	C23484ROS	2

REAR BRAKES

9. Handbrake ratchet nut	8980	2
10. Ratchet friction spring	8840	2
11. Hinge pin	8841	2
12. Anchor pin	8838	2
13. Return spring	8940	2

**REAR**

14. Inner pad carrier anchor pin	8938	2
15. Handbrake pads	8522	1 set
16. Handbrake adjusting bolt	8845	2
17. Handbrake retraction fork	8846	2
18. Retraction fork locktab	8014	2
19. Handbrake attachment bolt	8016	4
20. Brake pad support plate	9068	4
21. Brake pad retainer	7719	2
22. Brake pad set		
Standard	10821	1
Kevlar	10821K	1
23. Piston and cylinder assembly		
Standard	8816	4
Stainless steel	8816SS	4
24. Pawl tension spring	8837	2
25. Handbrake pawl	8836	2
26. Bolt	7720	16
27. Rear brake disc		
Standard	C13065	2
Upated	C13065ROS	2
28. Caliper position adjustment shim		
0.005"	C13198	A/R
0.020"	C13199	A/R
0.040"	C13994	A/R
29. Caliper seal kit		
Front	12319	1
Rear	12604	1
30. Bleed nipple & ball bearing	6911	2
Ball available separately if required	5685	2



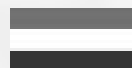
+44 (0) 1746 765432
sales.uk@sngbarratt.com



+1 603 622 1050
sales.usa@sngbarratt.com



+33 3 85 201 420
sngbarratt.france@wanadoo.fr

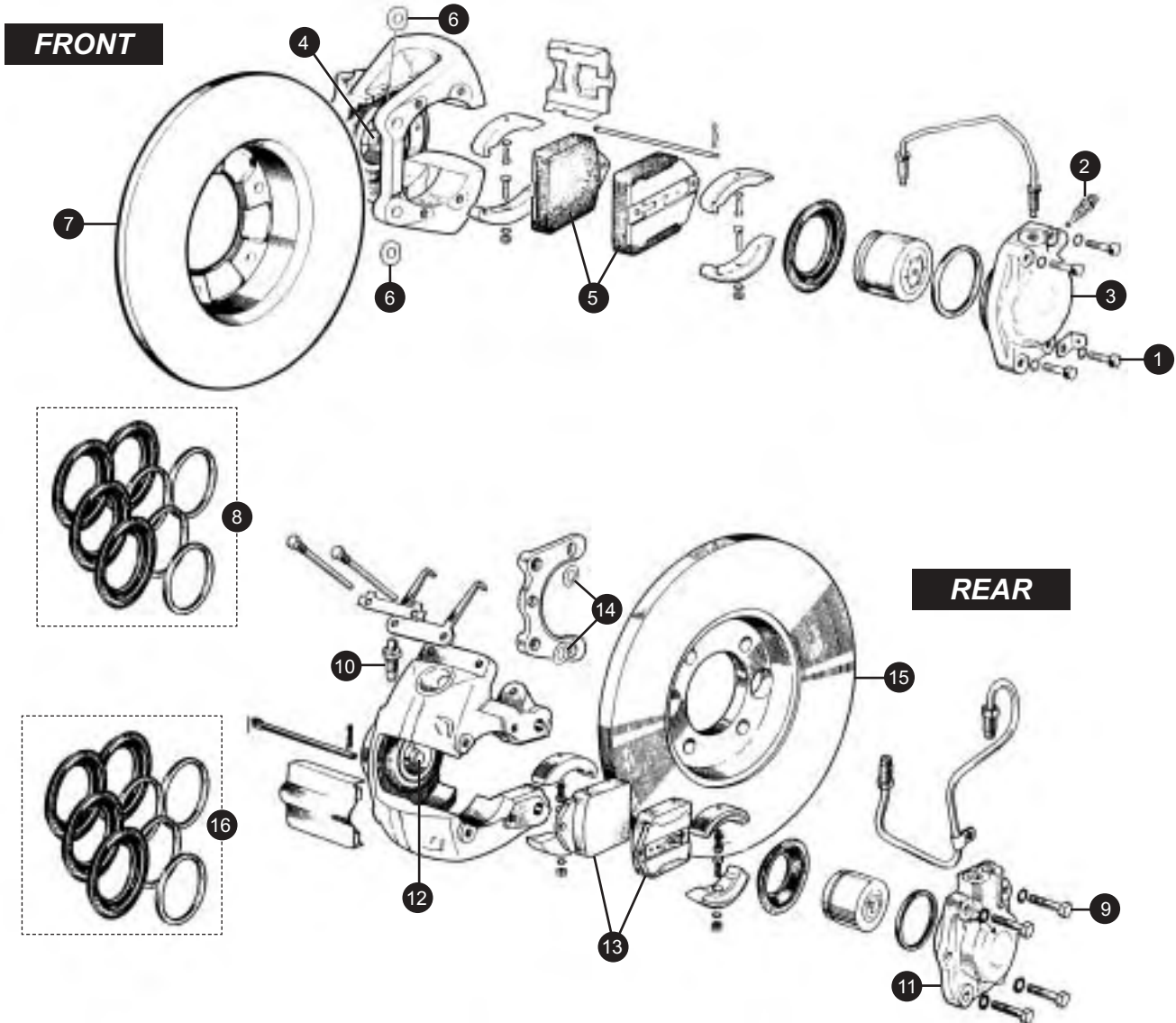


+31 13 52 11 552
verkoop@sngbarratt.com



Early S-Type Brakes

Buy on-line at www.sngbarratt.com



DUNLOP FRONT BRAKES chassis number:

3.4 to 1B9190 & 1B26306
 3.8 to 1B 59652 & 1B80375

1. Bolt		7720	8
2. Bleed Nipple		556508J	2
3. Piston and cylinder assembly			
	RH	10095	1
	LH	10109	1
4. Piston in caliper		10111SS	2
5. Brake pad set		11247	1
6. Caliper position adjusting shim			
	0.004"	C7569	A/R
	0.010"	C11723	A/R
7. Front brake disc	Standard	C23484	2
	Upated	C26779ROS	2
8. Front caliper seal kit		SP2776	1

DUNLOP REAR BRAKES up to chassis number

3.4 1B9190 & 1B26306
 3.8 1B 59652 & 1B80375

9. Bolt		7720	8
10. Bleed Nipple		556508J	2

11. Piston and cylinder assembly

RH	10114	1
LH	10120	1

12. Piston in caliper

Standard	10122	2
Stainless steel	10122SS	2

13. Brake pad set

11247	1
-------	---

14. Caliper position adjusting shim

0.005"	C13198	A/R
0.020"	C13199	A/R

15. Rear brake disc

Standard	C26779	2
Upated	C26779ROS	2

16. Rear caliper seal kit

SP2775	1
--------	---

Brake caliper upgrade conversions

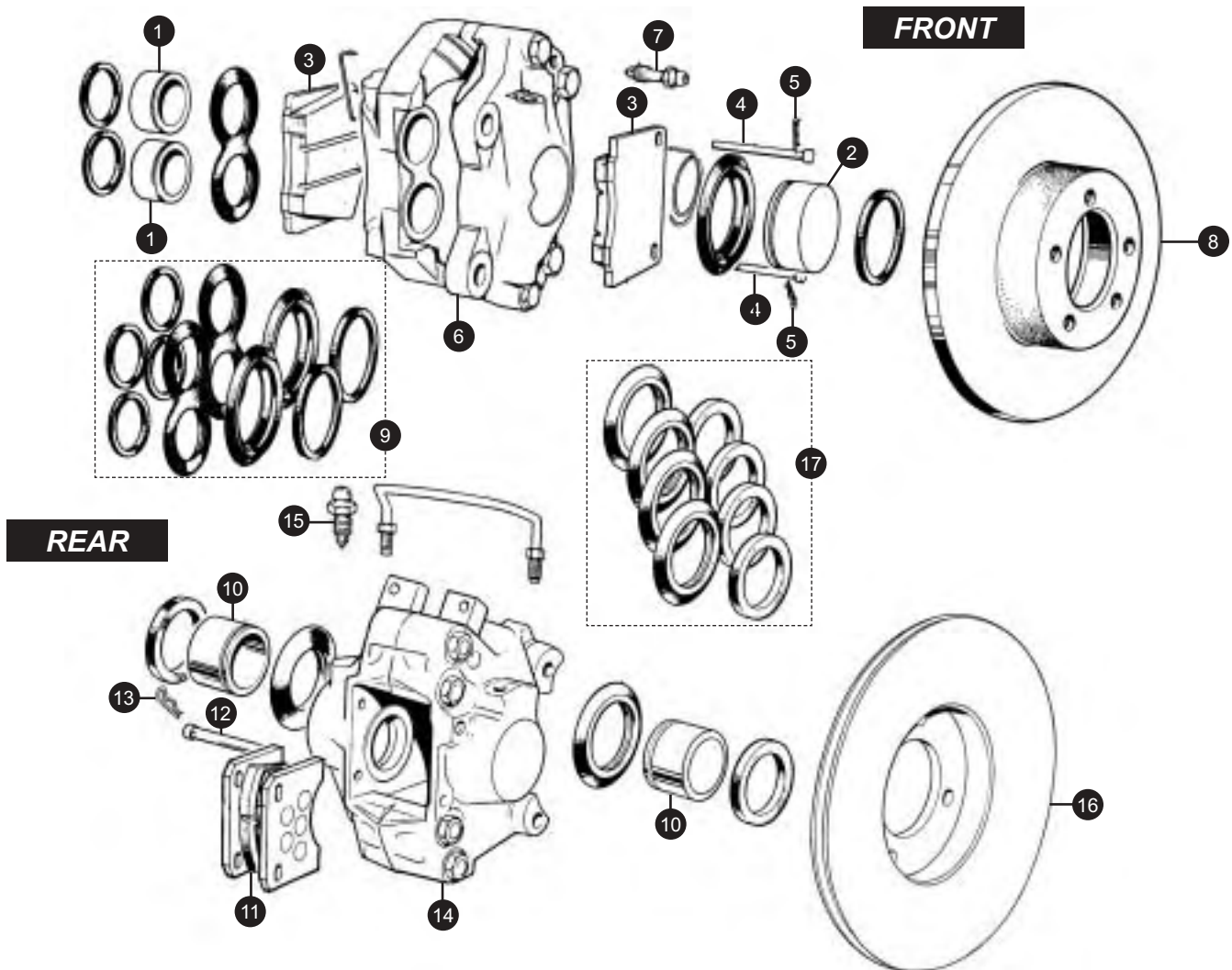
A quick and easy conversion to fit that has three stainless steel pistons housed within a solid style caliper offering the benefit of greater braking power but also greatly increasing the pad area contacting the brake disc.

Front kit for existing standard solid discs	SBS9086	1
Front kit with vented discs	SBS9093	1
Rear caliper upgrade		
(Bolt straight on later XJ rear calipers)	AAU3378	1
	AAU3379	1



Later S-Type Brakes

Buy on-line at www.sngbarratt.com



GIRLING FRONT BRAKES from chassis number:

- 3.4 1B9191 & 1B26307
- 3.8 1B 59653 & 1B80376

1. Outer small brake piston			
Standard	11365	4	
Stainless steel	11365SS	4	
2. Inner large brake piston			
Standard	11366SS	2	
Stainless steel	11366SS	2	
3. Brake pad set			
Standard	JLM9515	1	
Kevlar	JLM9515K	1	
4. Brake pad retaining pin	11368	2	
5. Brake pad retaining pin clip	11369	2	
6. Front brake caliper assembly			
RH	C26930	1	
LH	C26931	1	
7. Bleed nipple	601959	2	
8. Front brake disc	C27024	2	
9. Front brake caliper seal set	11371	1	

GIRLING REAR BRAKES from chassis number:

- 3.4 1B9191 & 1B26307
- 3.8 1B 59653 & 1B80376

10. Brake piston	Standard	11372	4
	Stainless steel	11372SS	4
11. Brake pad set		JLM9728	1
12. Brake pad retaining pin		11368	2
13. Brake pad retaining pin clip		11369	2
14. Rear brake caliper assembly			
	RH	11833R	1
	LH	11832R	1
15. Bleed nipple		556508J	2
16. Rear brake disc	Standard	C26779	2
	Upated	C26779ROS	2
17. Rear brake caliper seal set		11376	1



+44 (0) 1746 765432
sales.uk@sngbarratt.com



+1 603 622 1050
sales.usa@sngbarratt.com



+33 3 85 201 420
sngbarratt.france@wanadoo.fr

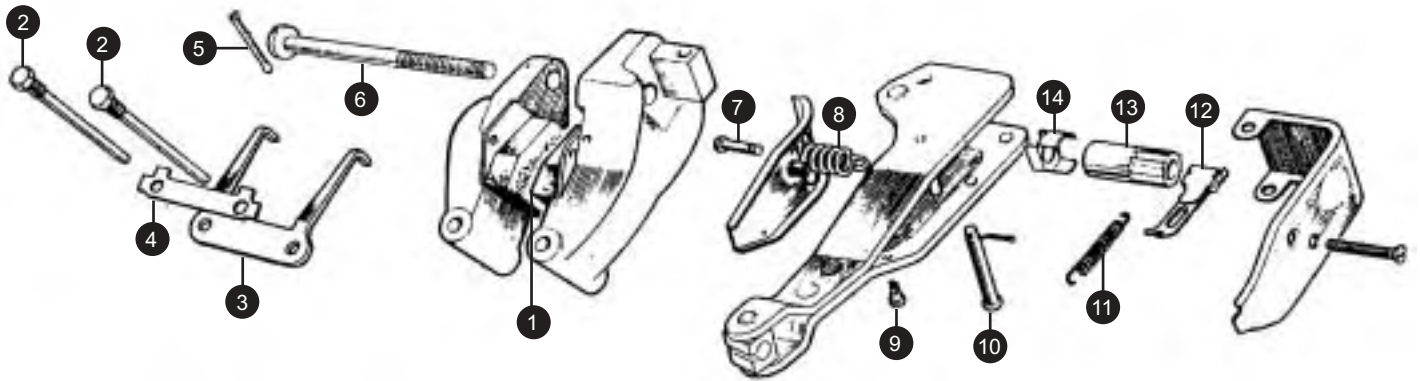


+31 13 52 11 552
verkoop@sngbarratt.com



S-Type Handbrake Caliper

Buy on-line at www.sngbarratt.com



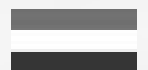
1. Handbrake pad set	JLM1514	1	8. Return spring	8940	2
2. Handbrake attachment bolt	8016	4	9. Anchor pin	8938	2
3. Retraction fork	9750	2	10. Hinge pin	8841	2
4. Retraction fork locktab	9751	2	11. Pawl tension spring	8837	2
5. Cotter pin	3752	2	12. Pawl assembly	8836	2
6. Adjustment bolt	8845	2	13. Handbrake ratchet nut	8980	2
7. Anchor pin	8938	2	14. Ratchet nut friction spring	8840	2



The 2.4 litre 7 cylinder

A special kind of motoring which no other car in the world can offer ...

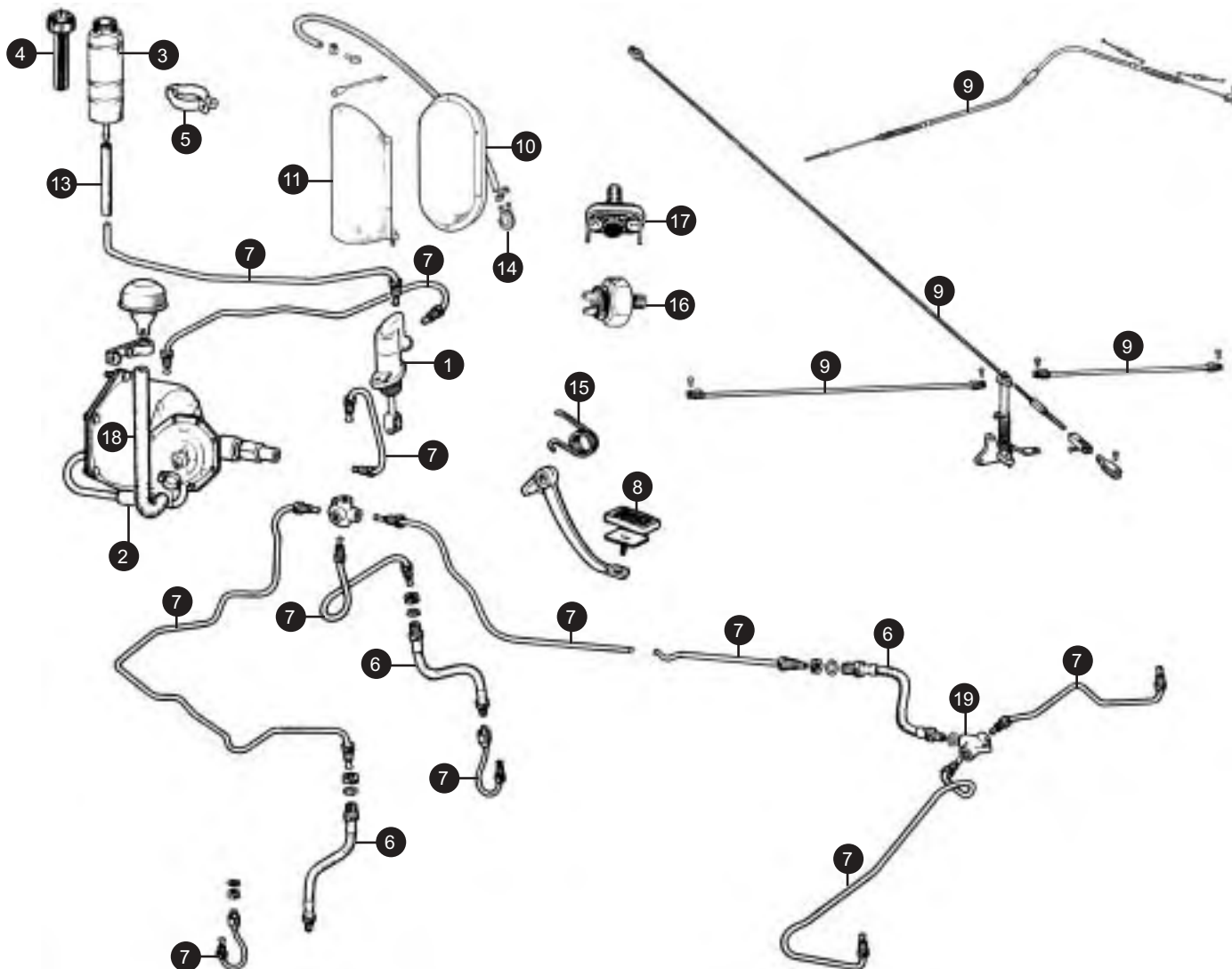
JAGUAR
Grace...Space...Pace





Braking System Components

Buy on-line at www.sngbarratt.com



1. Brake master cylinder			
MK2/V8	Dunlop	11977	1
	Girling	C27160	1
S-Type- original cylinder obsolete use C27186 1			
Brake master cylinder repair kit			
All models	Dunlop	605164	1
	Girling	11608	1
2. Brake servo			
MK2/V8		C19612R	1
S-Type	Early small type	C19612R	1
	Later larger type	C24707	1
Brake servo repair kit			
MK2/V8/S-Type early			
	Drum	8055	1
	Main	8415	1
	Air valve	9211	1
S-Type late 10809 1			

3. Brake fluid reservoir	C23638	1
4. Brake fluid reservoir cap	C23632	1
Rubber cover	C23627	1
5. Brake fluid reservoir bracket		
RHD	C23497	1
LHD	C23497	1
6. Flexible brake hoses		
<u>Standard Rubber</u>		
MK1/2/V8	Front	C13686* 2
	Rear	C13687* 1
S-Type	Front	C13686* 2
	Rear	CBC1396 1
Large fine thread nut		
		C3910* 3
Washer		
		C3911 3
<u>Goodridge Braided</u>		
	<u>Front</u>	<u>Rear</u>
MK2/V8/S-Type	Front	C13686SS 2
	Rear	C13687SS 1



+44 (0) 1746 765432
sales.uk@sngbarratt.com



+1 603 622 1050
sales.usa@sngbarratt.com



+33 3 85 201 420
sngbarratt.france@wanadoo.fr



+31 13 52 11 552
verkoop@sngbarratt.com



Braking System Components

Buy on-line at www.sngbarratt.com



S-Type	Front	C13686SS	2
	Rear	C30754SS	1

7. Cunifer brake pipe set

Full set with each pipe, cut to length, fitted with unions and it's position on the car clearly marked.

	<u>RHD</u>	<u>LHD</u>	
MK2 2.4 to 1966	GB5501	GL5501	1
1966 on	GB5502	GB5502	1

MK2 3.4/3.8 to 1966	GB5503	GB5503	1
1966 on	GB5504	GB5504	1

S-Type	GB5519	GB5519	1
--------	--------	--------	---

8. Brake pedal rubber

	<u>Manual</u>	<u>Auto</u>	
MK2	C8969	C6876	1
Daimler V8	C27521	C6876	1
S-Type	C8969	C6876	1

9. Handbrake cable

MK2/V8	Main	C15512	1
	RH rear	C19495	1
	LH rear	C19496	1
S-Type		C22026	1



10. Brake vacuum tank

MK2/V8/S-Type	C24910	1
---------------	--------	---

11. Brake vacuum tank stone shield

	C24913	1
--	--------	---

12. Brake vacuum/fluid hose

Vacuum hose braided type (per foot)	BR1010	A/R
Vacuum hose smooth type (per metre)	C14963	A/R

13. Brake fluid reservoir hose (original braided type)

	C200725	A/R
--	---------	-----

14. Brake vacuum valve

	C14693	1
--	--------	---

15. Brake pedal return spring

MK2/V8/S-Type		
Manual	C8963	1
Auto	C8966	1

16. Brake light switch

	C16062	1
--	--------	---

17. Handbrake warning light switch

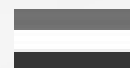
	C16660	1
--	--------	---

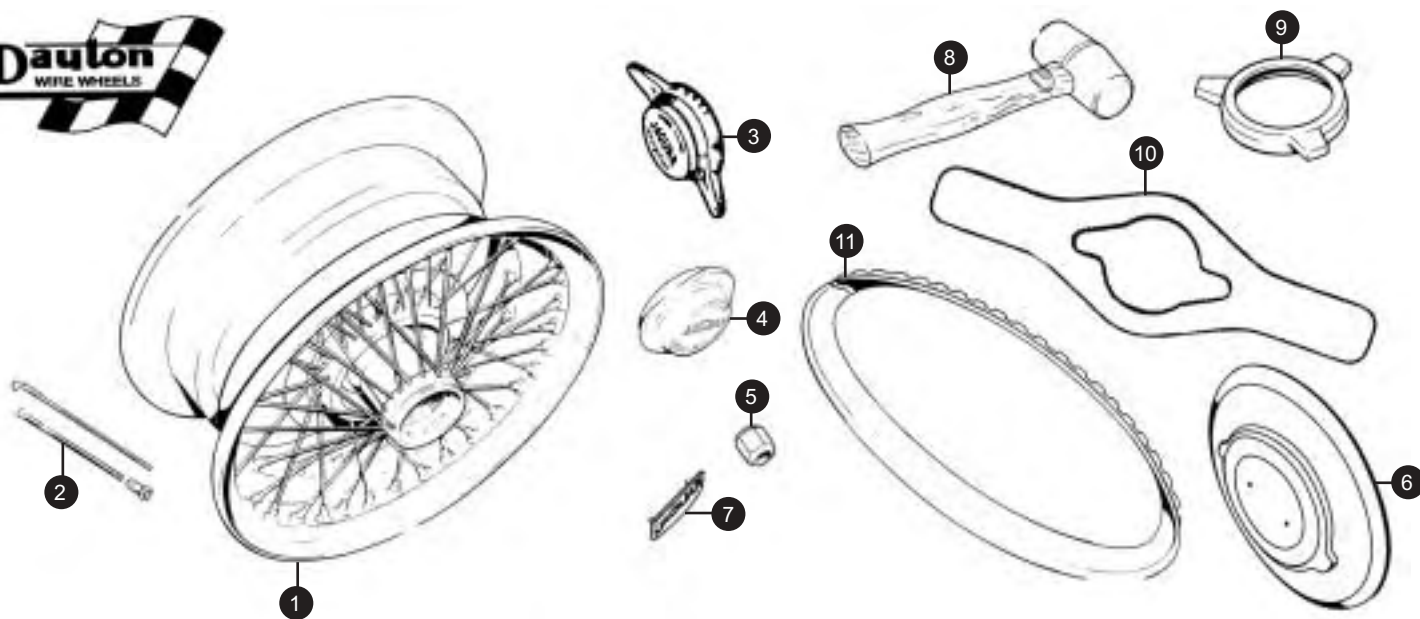
18. Brake servo breather hose

	C13883	1
--	--------	---

19. 3 way union

	C29888	1
--	--------	---





SNG Barratt have been selling Dayton Wire Wheels which are made by skilled craftsmen in the USA for several years now. In that time we have found that our customers are not only thrilled by their price, but also by the quality of their construction too! If you're thinking of fitting chrome wire wheels to your Jaguar or replacing a set that have seen better days, take a look at this list of Dayton features before you decide which wheels to buy!

a) Stainless steel spokes which cannot rust and have twice the fatigue resistance of chrome-plated spokes.

b) Swaged spokes, which are thicker at the hub and tapered to the rim. The swaging process gives the spoke a smooth, brilliant finish, provides more even distribution of stress, and allows the use of more spokes for added strength.

c) Four-layer nickel-chrome plating for greater durability and corrosion resistance.

d) Custom designs with the bolt circle and center locating hole precisely machined to each vehicle's original wheel specification for smooth running.

e) Expert polishing of all parts. Rims are polished on both front and back sides.

f) Fully tested designs to the Society of Automotive Engineers' specification J328 for fatigue resistance.

g) Each wheel is hand-tightened and gauged for concentricity. Spokes are pre-loaded with even tension for durability and precise wheel alignment. Periodic retreating and retightening are not required.

h) Three year comprehensive manufacturer's warranty.

1. Wire wheel	15x5J	15x6J	16x6J	16x7J
Curly hub to '67	D455	JB156	JB166	-
Flat hub '67 on	D472	EB156	EB157	EB167

Centre laced	-	JW156	-	-
--------------	---	-------	---	---

2. Wire wheel spokes (standard size wheels)

	Long	Short	
Curly hub	7796	7801	A/R
Flat hub	7796	C37426	A/R

3. Two eared chrome spinner

RH C1102	LH C1103	2
----------	----------	---

4. Three eared Continental chrome spinner

RH C28684	LH C28685	2
-----------	-----------	---

5. Wheel nut (for pressed steel wheels)	C3041	16
---	-------	----

6. Chrome hub cap

Jaguar early with long badge	C3243	4
Jaguar late with round badge	C27134	4

Daimler V8 to 1A12580/1A20564	C21260	4
Daimler V8 1A12581/1A20565 on	C27134	4

7. Hubcap badge

Jaguar early long badge	C3367	4
Jaguar late with round badge	C27140	4
Daimler (all models)	C21256	4

8. Wire wheel hammer

Copper/Hide	C992	1
Lead (Mazak/Zinc)	C27290	1

9. Three eared spinner tool	C28687	1
-----------------------------	--------	---

10. Wooden two eared spinner saver	SBS9306	1
------------------------------------	---------	---

11. Chrome wheel rim trim	C21983	4
---------------------------	--------	---



+44 (0) 1746 765432
sales.uk@sngbarratt.com



+1 603 622 1050
sales.usa@sngbarratt.com



+33 3 85 201 420
sngbarratt.france@wanadoo.fr

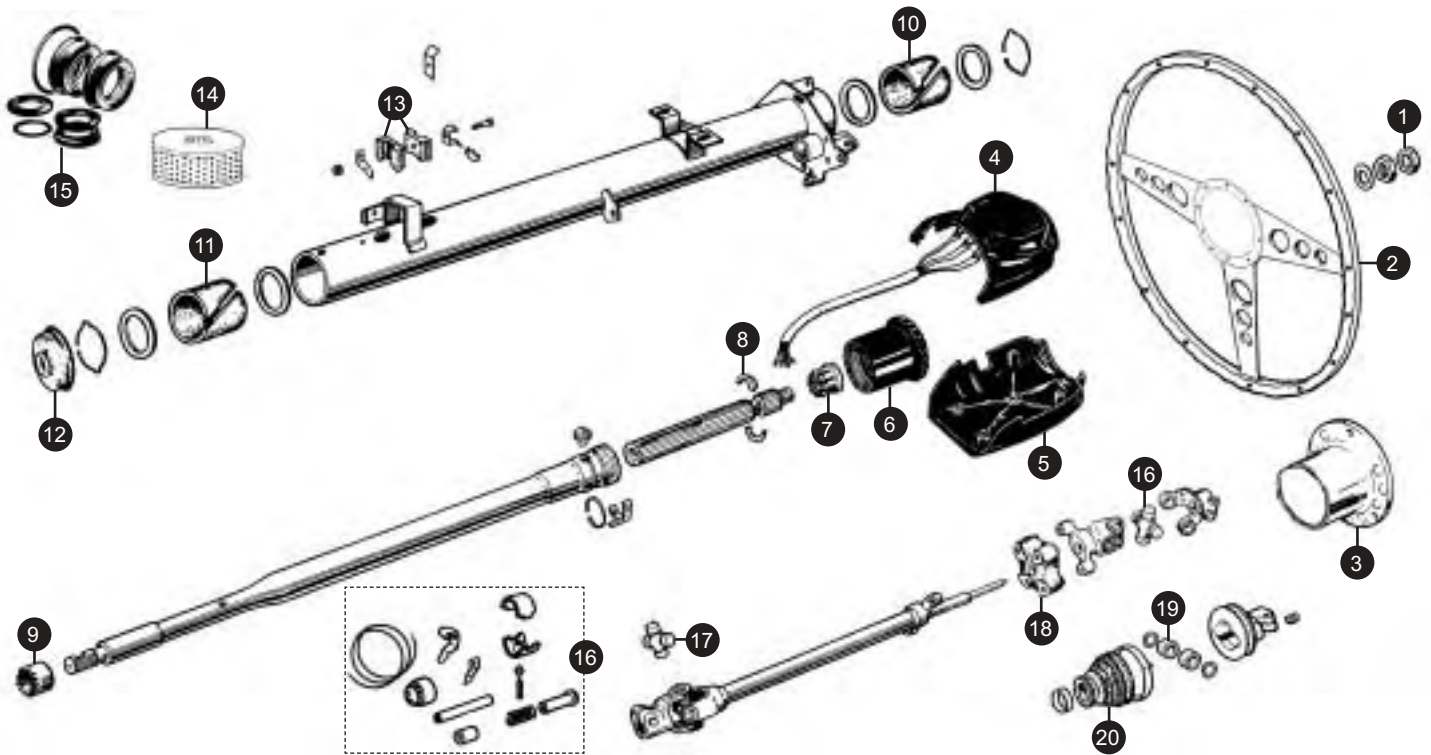


+31 13 52 11 552
verkoop@sngbarratt.com



Steering

Buy on-line at www.sngbarratt.com



1. Steering wheel nut	C7879	1
2. Motolita woodrim steering wheel		
Our best selling wheel simply looks great on any MK2, S-Type or V8. Simply select the diameter that suits you best from 13, 14 or 15 inches and add the boss kit listed below.		
13"	MLW1115-13	1
14"	MLW1115-14	1
15"	MLW1115-15	1

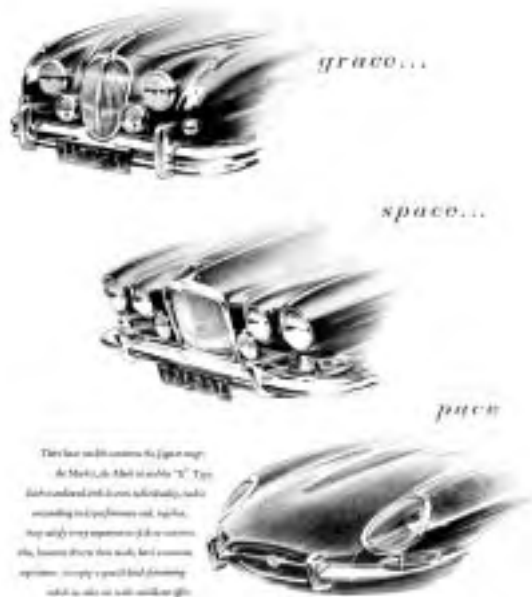
Derrington reproduction steering wheel which was another popular accessory steering wheel fitted to Jaguar saloons in the 1960's. (not illustrated) C25198 1

3. Motolita steering wheel boss Includes hornpush	B33H	1
4. Upper column cover	C15685	1
5. Lower column cover	C15420	1
6. Column locknut	C40029	1
7. Split collet	8671	1
8. Collets	C7878	pair
9. Horn slip ring	C10317	1
10. Upper steering column bush		
Felt	C10264	1
Plastic	C23592	1
11. Lower steering column bush		
Felt	C20149	1
Plastic	C23593	1
12. Lower seal	C3323	1
13. Contact holder	C8158	2
14. Power steering oil filter	7752	1
15. Seal repair kit		
Steering pump	SU9008	1
Steering box Manual steering main seal	6415	1

Early power steering	SU9001	1
Late power steering	1026/11027	1

16. Horn & steering column repair kit SBS1281 1
Contains everything needed to get your horn working again!

17. Steering column UJ	5426	1/2
18. Steering column rubber coupling	150696	1
19. Steering column nylon rollers	9614	2
20. Steering column gaiter	9616	1

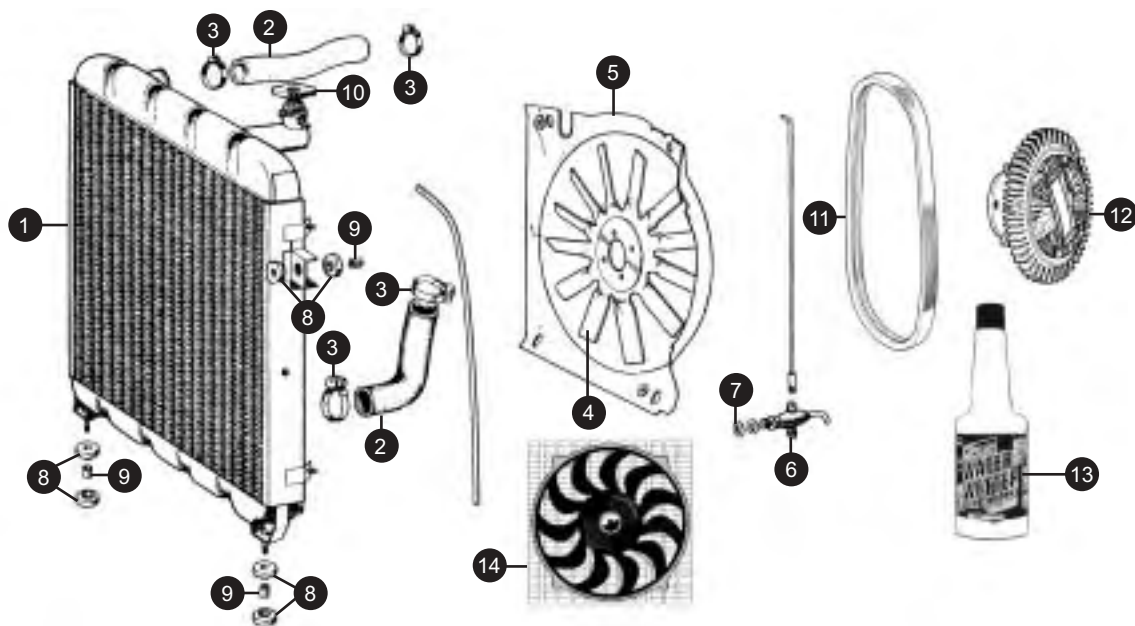


JAGUAR



Cooling System

Buy on-line at www.sngbarratt.com



1. Radiator assembly

All radiators are available to order as reconditioned, new or reproduced in aluminium.

MK2	early	C12672	1
	late	C27105	1
V8 2.5/250	manual	C27470	1
1A1001-1A12039	auto	C24917	1
1A20001-1A20545			
1A12040 on, 1A20546 on	auto	C27181	1
S-Type	manual	C27105	1
	auto	C25970	1

2. Cotton reinforced water hose kits

MK2 2.4	HK013R	1
MK2 240	HK012R	
MK2 3.4/3.8	HK011R	1
MK2 340	HK016R	1
V8 2.5/250	HK014R	1
S-Type 3.4/3.8	HK015R	1

3. Hose clip set

MK2 2.4/240	HK013/C	1
MK2 3.4/3.8	CS1023/C	1
340	CS1007/C	1
V8 2.5/250	HK014/C	1
S-Type	CS1017/C	1

4. Radiator cooling fan

MK2		C12391	1
V8	7A1001-7A1098	C21721	1
	7A1099 on	C21735	1
S-Type		C12391	1

5. Radiator fan cowl

MK2/S-Type	C24965	1
V8	C24964	1

6. Radiator drain tap

C4439/1	1
---------	---

7. Radiator drain tap washer

C784	1
------	---

8. Radiator mounting pad

C8975	1
-------	---

9. Mounting rubber spacer tube

C8976	1
-------	---

10. Radiator pressure cap

MK2	very early deep seat 4lb	C10289	1
	later shallow seat 4lb	C18460	1
Daimler V8	7lb	C18484	1
S-Type	4lb	C18460	1

11. Drive belts

MK2 2.4/240		GFB156	1
MK2 3.4/3.8/340		C19525	1
Daimler V8	Dynamo	C21025	1
	Alternator	C27354	1
	Power steering	C21109	1

S-Type 3.4/3.8

C19525	1
--------	---

12. Viscous fan coupling

Daimler V8	NBC2215AA	1
------------	-----------	---

13. Water Wetter miracle coolant

CH2077	A/R
--------	-----

Simply add to the coolant on your Jaguar and it can reduce the running temperature of your cooling system by up to 20 degrees Fahrenheit.

14. Kenlowe Thermostatically Controlled Electric Fan Kit

Electrically powered fan kit that is fitted to supplement the original fan that can be set to cut in and out at your preferred temperature. All models SBS1341 1



+44 (0) 1746 765432
sales.uk@sngbarratt.com



+1 603 622 1050
sales.usa@sngbarratt.com



+33 3 85 201 420
sngbarratt.france@wanadoo.fr

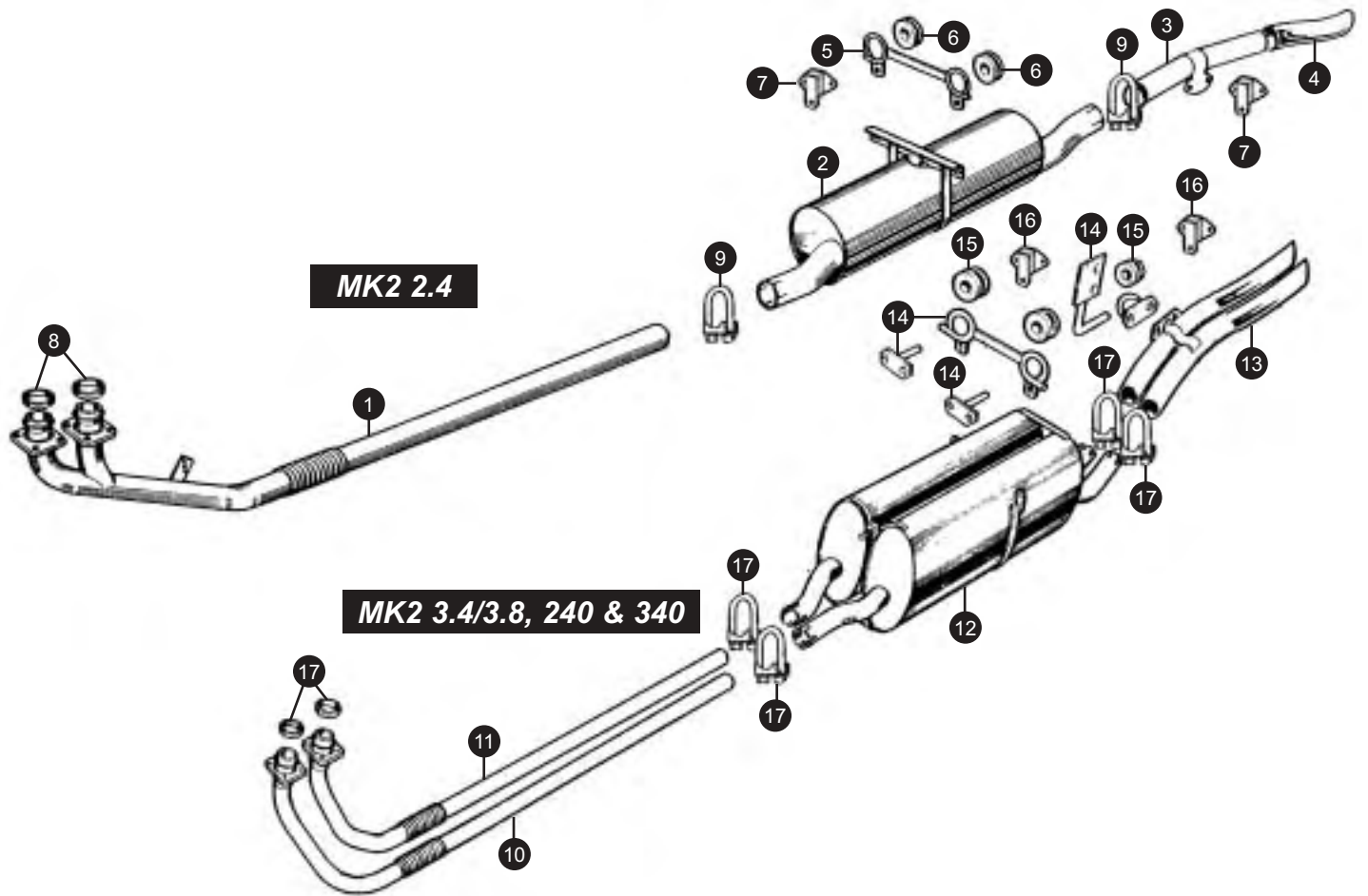


+31 13 52 11 552
verkoop@sngbarratt.com



MK2 Exhaust Systems

Buy on-line at www.sngbarratt.com



MK2 2.4 full single system	BSSJR005	1
Complete exhaust fitting kit (Mountings, clamps and seals)	EFK015	1

1. Front pipe	BSJR69	1
2. Silencer	BSJR115	1
3. Tailpipe	BSJR114	1
4. Tailpipe polished trim	BSJR112	1
5. Hanging bracket set	SBS5002	1
6. Mounting rubber in hoops	C25020	2
7. Rubber mounting (alternative to original bracket set and as supplied in our fitting kit)	C8397	3
8. Downpipe seal	EBC9388	2
9. Exhaust clamp	GEX9008	2

MK2 240 full twin system	BSSJR006	1
Complete exhaust fitting kit Mountings, clamps and seals	EFK015	1

MK2 3.4/3.8 full twin system 1960-61 early cars	BSSJR007	1
Mountings, clamps and seals	EFK015	1

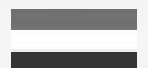
MK2 3.4/3.8/340 full twin system 1961 on later cars	BSJR008	1
Mountings, clamps and seals	EFK015	1

10. Front downpipe 240	BSJR118	1
3.4/3.8 1960-61	BSJR59	1
3.4/3.8 1961 on	BSJR70	1

11. Rear downpipe 240	BSJR119	1
3.4/3.8 1960-61	BSJR60	1
3.4/3.8 1961 on	BSJR71	1

12. Silencer	BSJR110	1
13. Tailpipe	BSJR35	1
14. Hanging bracket set	SBS5002	1
15. Mounting rubber in hoops	C25020	3
16. Rubber mounting (alternative to original bracket set and as supplied in our fitting kit)	C8397	3

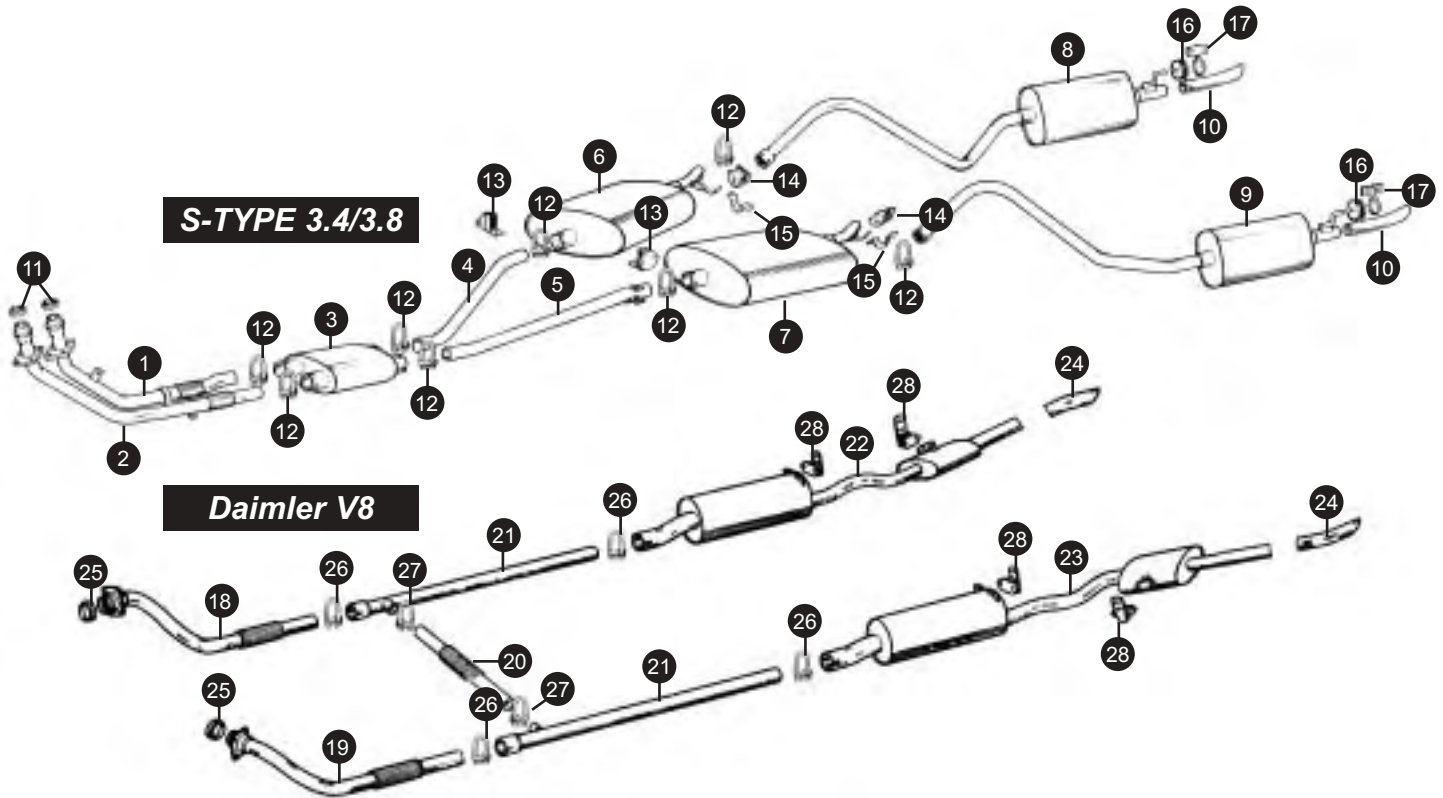
17. Downpipe seal	EBC9388	2
18. Exhaust clamp	GEX9008	4





S-Type & V8 Exhaust Systems

Buy on-line at www.sngbarratt.com



S-Type 3.4/3.8 full system	BSSJR011	1
Complete exhaust fitting kit (Mountings, clamps and seals)	EFK012	1

1. Front pipe RH	BSJR61	1
2. Front pipe LH	BSJR62	1
3. Binocular box	BSJR48	1
4. Interpipe RH	BSJR63	1
5. Interpipe LH	BSJR64	1
6. Silencer box RH	BSJR65	1
7. Silencer box LH	BSJR66	1
8. Silencer and tailpipe RH	BSJR98	1
9. Silencer and tailpipe LH	BSJR99	1
10. Chrome tailpipe trim	BSJR100	2
11. Downpipe seal	EBC9388	2
12. Exhaust clamp	GEX9008	8
13. Mounting	JLM9542	2
14. Mounting rubber	C19632	2
15. Bracket	C19631	2
16. Mounting rubber	C22410	2
17. Mounting ring	C23262	2

Daimler V8 full system	BSSJR012	1
Complete exhaust fitting kit (Mountings, clamps and seals)	EFK014	1

18. Front pipe RH	BSJR72	1
19. Front pipe LH	BSJR73	1

20. Balance pipe	BSJR74	1
21. Interpipe	BSJR82	2
22. RH Silencer & interpipe	BSJR92	1
23. LH Silencer & interpipe	BSJR93	1
24. Tailpipe trim	BSJR94	2
25. Downpipe seal	EBC9388	2
26. Exhaust clamp 48mm	GEX9008	4
27. Exhaust clamp 36mm	ECL36	2
28. Mounting	C8397	4



+44 (0) 1746 765432
sales.uk@sngbarratt.com



+1 603 622 1050
sales.usa@sngbarratt.com



+33 3 85 201 420
sngbarratt.france@wanadoo.fr



+31 13 52 11 552
verkoop@sngbarratt.com

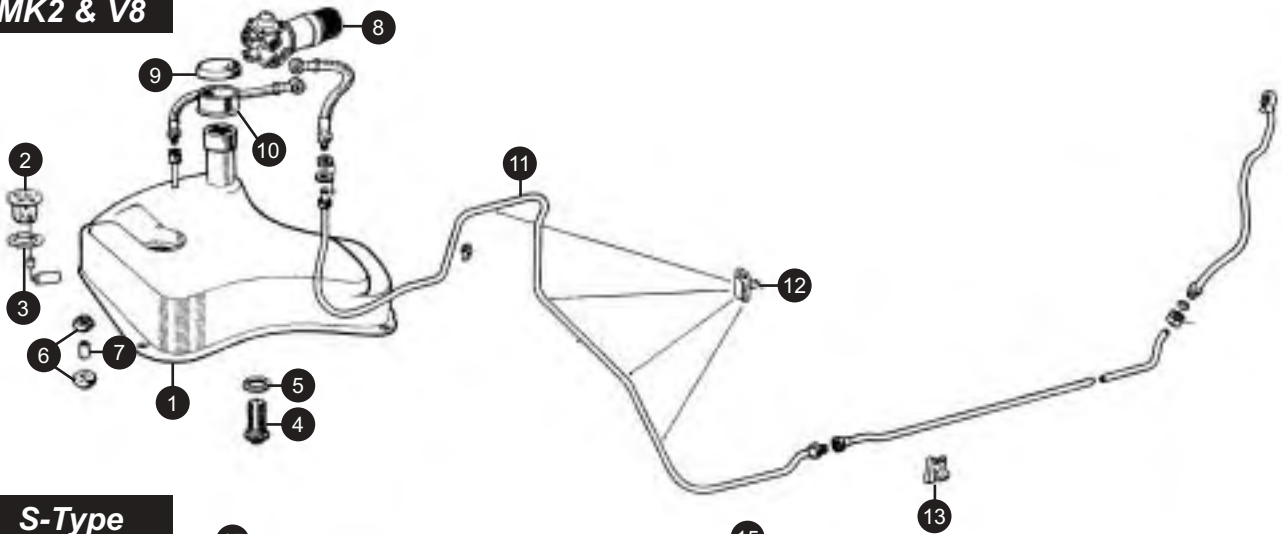


Fuel System

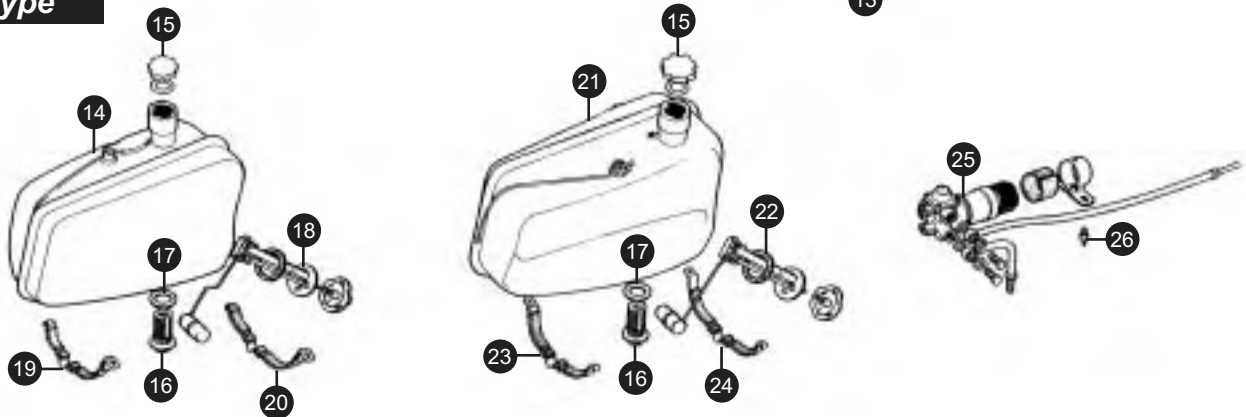
Buy on-line at www.sngbarratt.com



MK2 & V8



S-Type

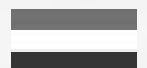


MK2 & V8

1. Fuel tank	C17565	1
2. Fuel sender unit	C15476	1
Screw	UFS313/3H	6
Washer	C2296/9	6
3. Gasket	C937	1
4. Sump filter	C990/1	1
5. Seal	C26310	1
6. Tank mounting pad	C3053	6
7. Spacer tube	C6390	3
8. Fuel pump		
Negative earth	AZX1308	1
Positive earth	AZX1319	1
Fuel pump banjo bolt	C11488	2
Fuel pump banjo washer	AUC2141	4
9. Fuel filler cap		
Non Locking	C23601	1
Locking	C12816	1
10. Neck seal	BD9898	1
11. Fuel pipe kit	SBS1224	1
12. Fuel pipe clip	C10268	7
13. Fuel pipe clip	C3737	3/5

S-Type

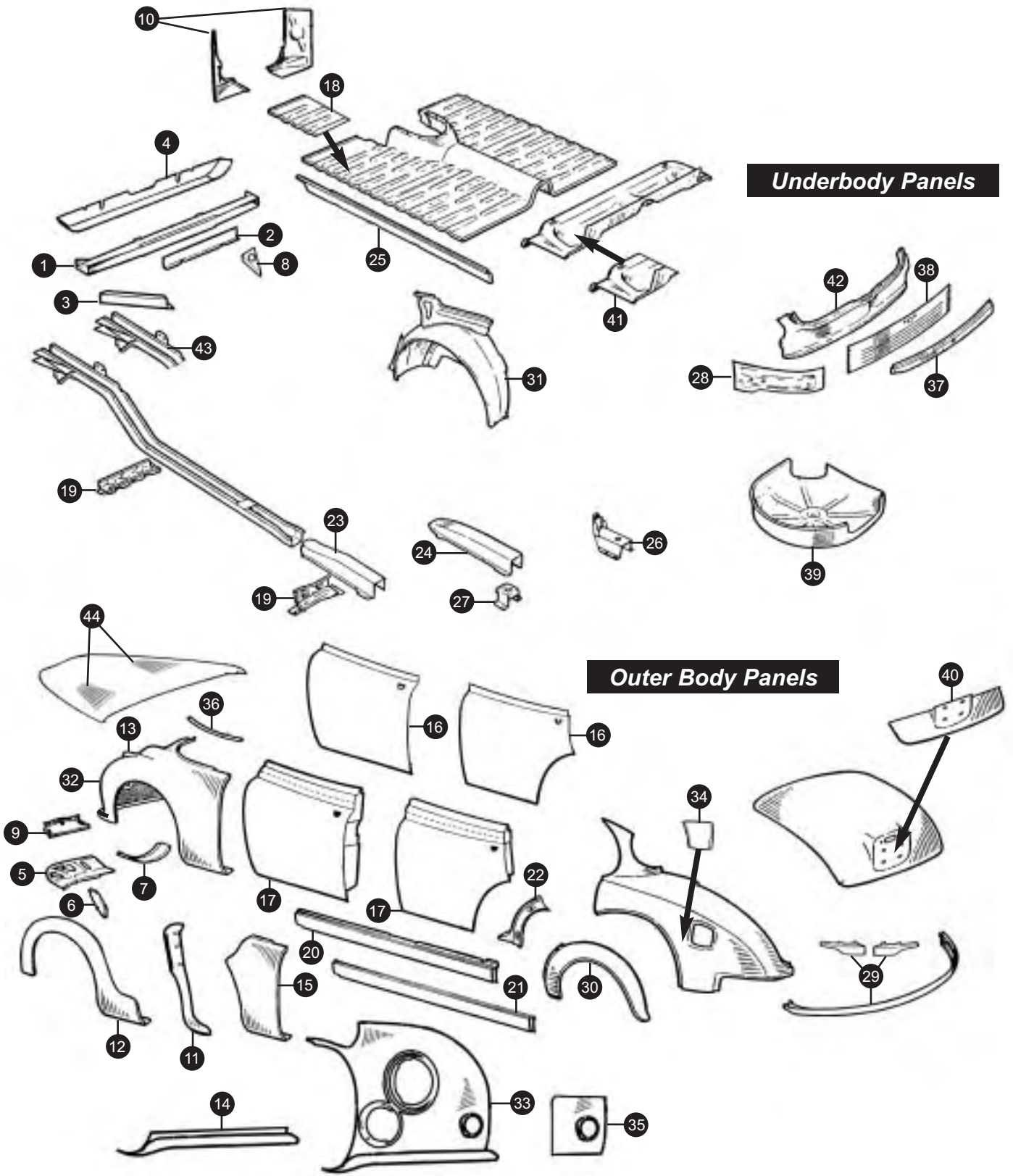
14. Fuel tank LH	C22469	1
15. Fuel filler cap		
Non Locking	C23601	2
Locking	C12816	2
16. Sump filter	C990/1	2
17. Seal	C26310	2
18. Fuel sender unit LH	C21974	1
19. Tank support strap LHR	BD25256	1
20. Tank support strap LHF	BD25254	1
21. Fuel tank RH	C22470	1
22. Fuel sender unit RH	C26211	1
23. Tank support strap RHR	BD25255	1
24. Tank support strap LHF	BD25253	1
25. Fuel pump		
Negative earth	AZX1308	2
Positive earth	AZX1319	2
Fuel pump banjo bolt	C11488	4
Fuel pump banjo washer	AUC2141	8
26. Fuel pump mounting	C24792	4





MK2, V8, 240 & 340 Body Panels

Buy on-line at www.sngbarratt.com



Underbody Panels

Outer Body Panels



+44 (0) 1746 765432
sales.uk@sngbarratt.com



+1 603 622 1050
sales.usa@sngbarratt.com



+33 3 85 201 420
sngbarratt.france@wanadoo.fr



+31 13 52 11 552
verkoop@sngbarratt.com



Body Panels

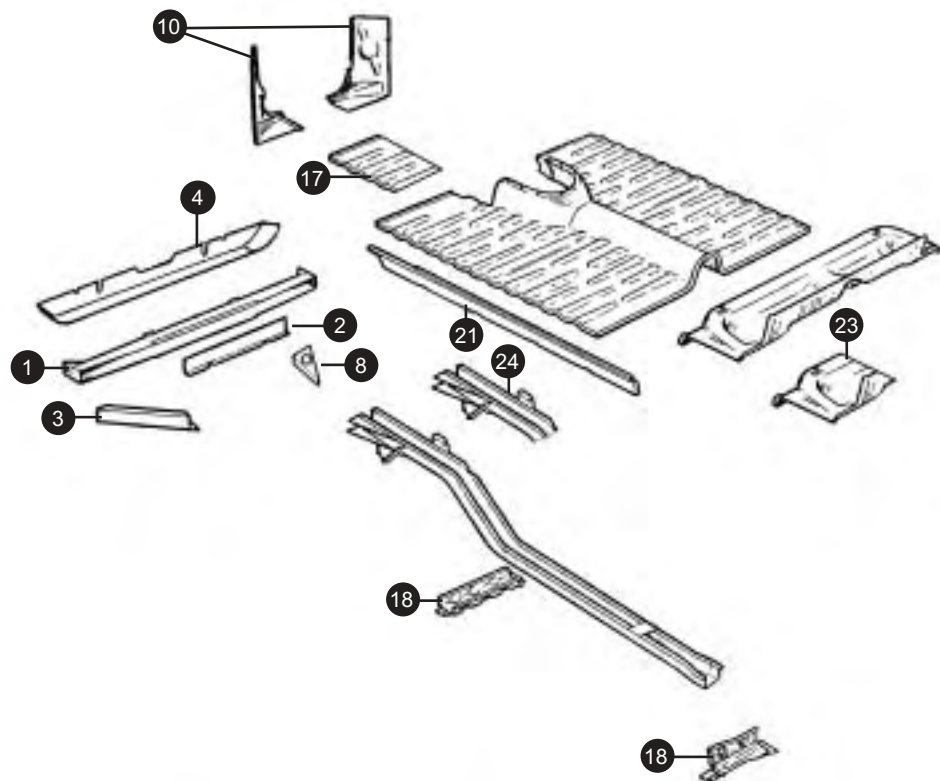
Buy on-line at www.sngbarratt.com

1. Front crossmember	5137	1			
2. Front crossmember closing panel	4130	1			
3. Front crossmember brace					
RH	4128	1			
LH	4129	1			
4. Front crossmember valance					
240/340/V8250 models only	BD25969	1			
5. Front wing stay bracket					
RH	6602	1			
LH	6603	1			
6. Gusset reinforcing stay bracket					
RH	6604	1			
LH	6605	1			
7. Saddle panel under grille	6627	1			
8. Radiator mounting bracket					
RH	6584	1			
LH	6585	1			
9. Radiator access panel	6721	1			
10. Radiator cowl					
RH	7219	1			
LH	7220	1			
11. Baffle splash panel behind front wheel					
RH	10529	1			
LH	10530	1			
12. Front wheelarch repair section					
RH	MRK012RH	1			
LH	MRK012LH	1			
13. Sidelamp housing repair section	MRK013	2			
14. Lower front skirt repair section					
RH	MRK014RH	1			
LH	MRK014LH	1			
15. Rear half of front wing repair section					
RH	MRK015RH	1			
LH	MRK015LH	1			
16. Door skin 3/4 repair section					
RHF	8154	1			
LHF	8155	1			
RHR	8159	1			
LHR	8160	1			
17. Door frame lower repair panel					
RHF	MRK016DBRHF	1			
LHF	MRK016DBLHF	1			
RHR	MRK016DBRHR	1			
LHR	MRK016DBLHR	1			
18. Front floor panel repair section above jacking point					
RH	MRK017RH	1			
LH	MRK017LH	1			
19. Jacking point and outrigger assembly					
All models					
RHF	6738	1			
LHF	6739	1			
RHR	6736	1			
LHR	6737	1			
20. Full sill with step					
RH	4109	1			
LH	4110	1			
21. Sill repair section without step					
RH	MRK020ARH	1			
LH	MRK020ALH	1			
22. D post repair section					
RH	MRK021RH	1			
LH	MRK021LH	1			
23. Upper reinforcing channel for rear spring					
RH	6722	1			
LH	6723	1			
24. Lower reinforcing channel rear spring					
RH	6582	1			
LH	6583	1			
25. Inner sill					
RH	7003	1			
LH	7032	1			
26. Panhard rod mounting bracket	8933	1			
27. Upper spring clamp	6741	1			
28. Tonneau panel					
RH	8119	1			
LH	8120	1			
29. Rear lower valance					
MK2 3.4/3.8 thin valance, fat bumper	8321	1			
MK2 2.4 thin valance, fat bumper	MRK028B	1			
240/340 fat valance, thin bumper	MRK028A	1			
Daimler V8 2.5 thin valance, fat bumper	MRK028C	1			
Daimler V8 250 fat valance, thin bumper	MRK028E	1			
30. Rear spat panel					
Standard					
RH	BD17011	1			
LH	BD17012	1			
Steel sports type					
RH	MRK029ARH	1			
LH	MRK029ALH	1			
Fibreglass sports type	BD17011/12C	pair			
31. Inner rear wheel arch assembly					
RH	8113	1			
LH	8114	1			
32. Full front wing					
RH	11141	1			
LH	11142	1			
33. Front wing nose section					
RH	MRK032RH	1			
LH	MRK032LH	1			
34. Rear wing lower repair section					
RH	MRK033RH	1			
LH	MRK033LH	1			
35. Front wing indicator repair section					
RH	MRK034RH	1			
LH	MRK034LH	1			
36. Front wing seam capping	6665	2			
37. Boot lock panel	6038	1			
38. Boot reinforcement panel	4127	1			
39. Spare wheel well	4104	1			
40. Boot lid lower repair section	5112RP	1			
41. Rear seat panel repair					
RH	MRK046RH	1			
LH	MRK046LH	1			
42. Spare wheel well rear panel	MRK047	1			
43. Front chassis longitudinal repair section					
RH	7079R	1			
LH	5102RP	1			

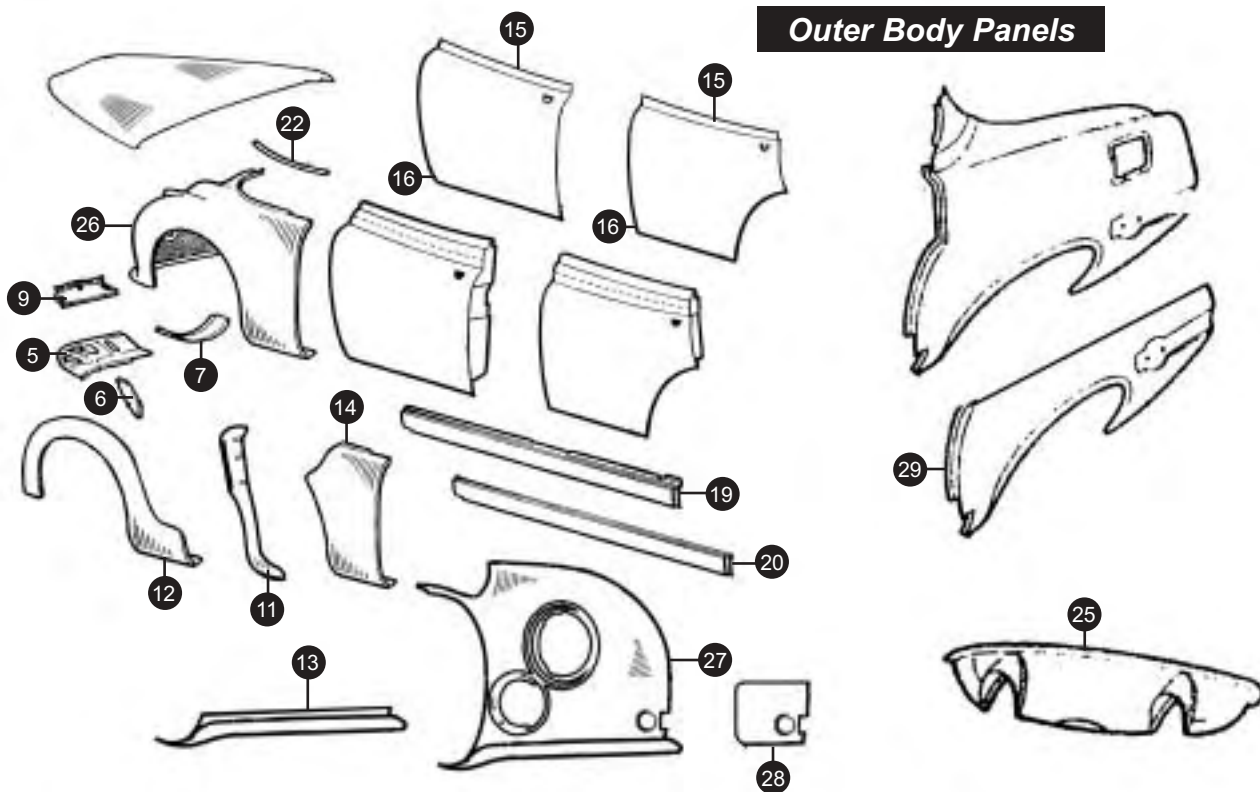


S-Type Body Panels

Buy on-line at www.sngbarratt.com



Underbody Panels



Outer Body Panels



+44 (0) 1746 765432
sales.uk@sngbarratt.com



+1 603 622 1050
sales.usa@sngbarratt.com



+33 3 85 201 420
sngbarratt.france@wanadoo.fr



+31 13 52 11 552
verkoop@sngbarratt.com



S-Type Body Panels

Buy on-line at www.sngbarratt.com

1. Front crossmember	5137	1
2. Front crossmember closing panel	4130	1
3. Front crossmember brace		
RH	4128	1
LH	4129	1
4. Front crossmember valance	BD25969	1
5. Front wing stay bracket		
RH	6602	1
LH	6603	1
6. Gusset reinforcing stay bracket		
RH	6604	1
LH	6605	1
7. Saddle panel under grille	6627	1
8. Radiator mounting bracket		
RH	6584	1
LH	6585	1
9. Radiator access panel	6721	1
10. Radiator cowl		
RH	7219	1
LH	7220	1
11. Baffle splash panel behind front wheel		
RH	10529	1
LH	10530	1
12. Front wheelarch repair section		
RH	MRK012RH	1
LH	MRK012LH	1
13. Lower front skirt repair section		
RH	MRK014RH	1
LH	MRK014LH	1
14. Rear half of front wing repair section		
RH	MRK015RH	1
LH	MRK015LH	1
15. Door skin 3/4 repair section		
RHF	8154	1
LHF	8155	1
RHR	8159	1
LHR	8160	1
16. Door frame lower repair panel		
RHF	MRK016DBRHF	1
LHF	MRK016DBLHF	1
RHR	MRK016DBRHR	1
LHR	MRK016DBLHR	1
17. Front floor panel repair section above jacking point		
RH	MRK017RH	1
LH	MRK017LH	1
18. Jacking point and outrigger assembly		
RHF	6738	1
LHF	6739	1
RHR	10312	1
LHR	10313	1

19. Full sill with step		
RH	4109	1
LH	4110	1
20. Sill repair section without step		
RH	MRK020ARH	1
LH	MRK020ALH	1
21. Inner sill		
RH	7003	1
LH	7032	1
Middle inner sill (not illustrated)		
RH	10157	1
LH	10158	1
22. Front wing seam capping	6665	2
23. Rear seat panel repair		
RH	MRK046RH	1
LH	MRK046LH	1
24. Front chassis longitudinal repair section		
RH	5101RP	1
LH	5102RP	1
25. Rear lower valance	BD25977	1
26. Full front wings		
RH	11144	1
LH	11145	1
27. Front wing nose section		
RH	MRK032AARH	1
LH	MRK032AALH	1
28. Front wing side lamp & indicator repair section		
RH	MRK034ARH	1
LH	MRK034ALH	1
29. Rear wing lower half repair section		
RH	MRK035RH	1
LH	MRK035LH	1



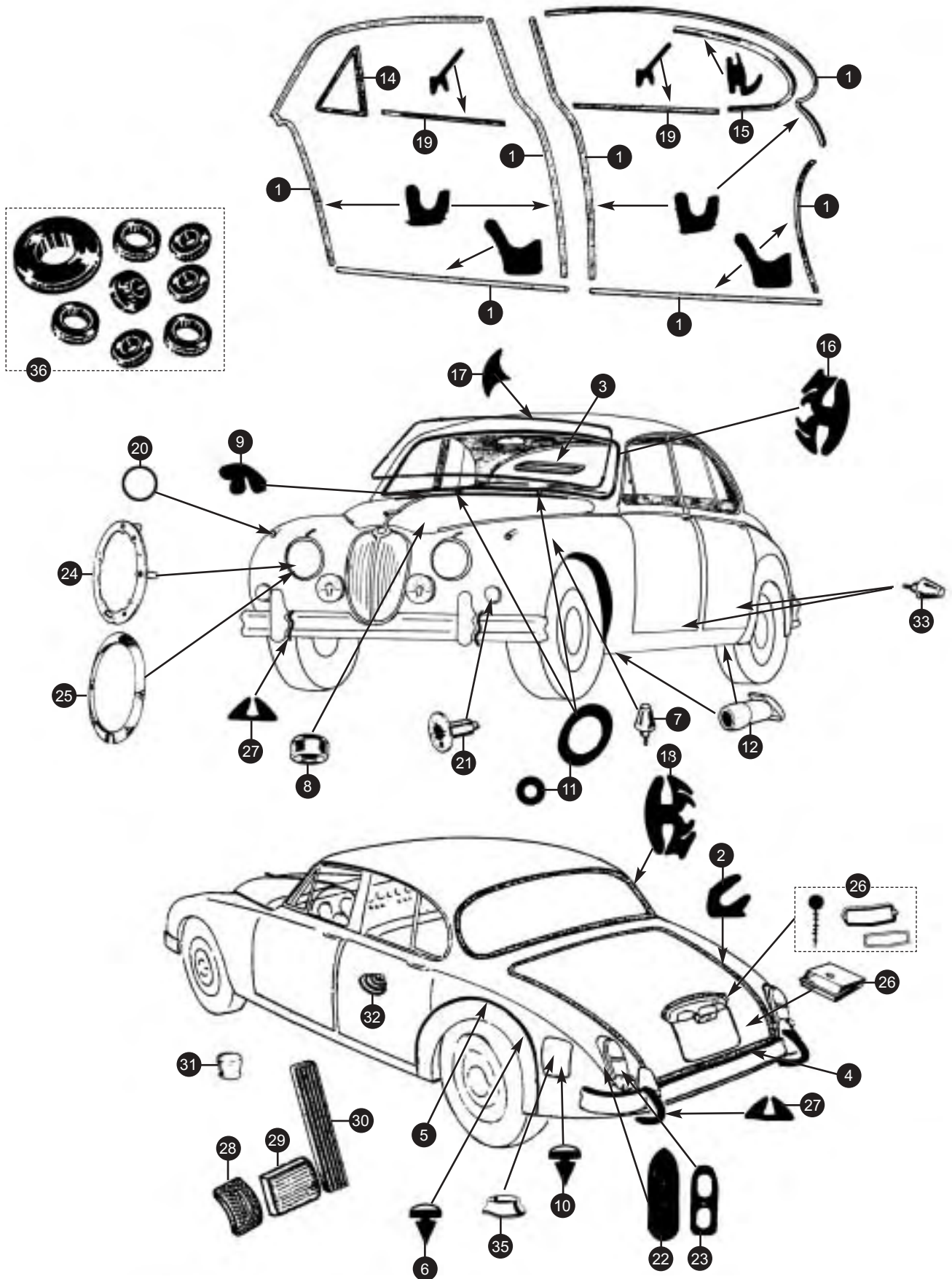
Visit our website to see a Jaguar on your phone.





MK2/V8 Body Rubbers

Buy on-line at www.sngbarratt.com



+44 (0) 1746 765432
sales.uk@sngbarratt.com



+1 603 622 1050
sales.usa@sngbarratt.com



+33 3 85 201 420
sngbarratt.france@wanadoo.fr



+31 13 52 11 552
verkoop@sngbarratt.com



MK2/V8 Body Rubbers

Buy on-line at www.sngbarratt.com



1. Door rubber set		DSK0100	1
2. Boot lid seal		BD14100/1	2
3. Scuttle vent seal		BD9876	1
4. Rear bumper seal		BD9949/1	1
5. Rear spat seal		BD17847/1	1
6. Rear spat buffer		BD4321	6
7. Bonnet front buffer		BD10224	2
8. Bonnet rear buffer		BD4951	2
9. Bonnet rear seal		BD4920/3	1
10. Petrol flap buffer		BD4321	2
11. Wiper bezel gasket		7769	2
Washer jet gasket		MP1002	pair
12. Jacking point bung		C4928	4
13. Front quarter light seal	RH	BD17049	1
	LH	BD17048	1
15. Rear quarter light seal	RH/LH	BD17072	2
16. Windscreen seal		BD26888*	1
17. Windscreen insert strip		BD48847	1
18. Rear screen seal		BD16992*	1
19. Door glass outer waist seal			
Early models	felt	BD20010/1	4
Late models	rubber (as image)	BD46440/3*	4
Clip for	BD20010/1 on outer	BD22312	24
Door glass inner waist seal		BD20010/1	4



THE 1965 JAGUARS:

If you're going abroad, money-saving overseas delivery can be arranged.



The guidelines are... (small text describing car specifications and pricing details for the Jaguar XKE vs. the 3.8 Sedan comparison.)

The Jaguar XKE vs. the 3.8 Sedan

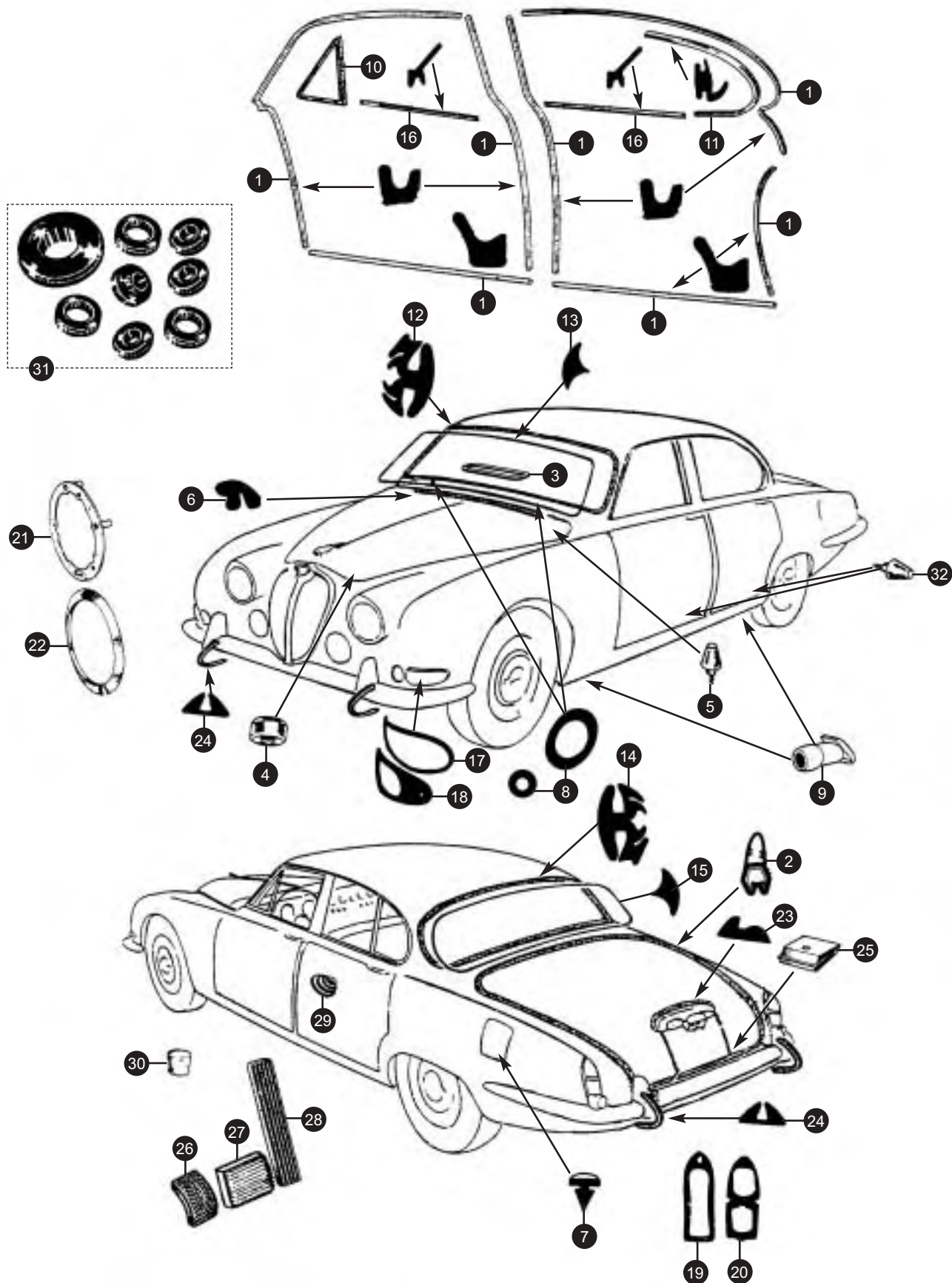
20. Side lamp seal		8669	2
21. Front indicator gasket		8059	2
22. Tail lamp mtg gasket		9721	2
23. Tail lamp lens gasket		8083	2
24. Headlamp mounting gasket		9403	2
25. Headlamp dust excluder		3446	2
26. Reverse lamp housing seal		BD429092	1
Rev lamp lens gasket		3488	1
Rev lamp gasket		3489	1
27. Overider rubber set		209K	2
28. Brake/clutch pedal rubber			
	Jaguar	C8969	2
	Daimler	C27521	2
29. Brake pedal rubber	Automatic	C6876	1
30. Accelerator pedal rubber		C11671	1
31. Dipswitch boot		C22276	1
32. Gearlever gaiter		BD14134	1
33. Door bottom buffers		BD4951	4
34. Boot lid buffer		BEC14310	2
35. Petrol tank neck seal		BD9898	1
36. Grommet set		SBS1013	1





S-Type Body Rubbers

Buy on-line at www.sngbarratt.com



+44 (0) 1746 765432
sales.uk@sngbarratt.com



+1 603 622 1050
sales.usa@sngbarratt.com



+33 3 85 201 420
sngbarratt.france@wanadoo.fr



+31 13 52 11 552
verkoop@sngbarratt.com



S-Type Body Rubbers

Buy on-line at www.sngbarratt.com



1. Door rubber set		DSK0100	1
2. Boot lid seal		BBC44411	1
3. Scuttle vent seal		BD9876	1
4. Bonnet front buffer		BD10224	2
5. Bonnet rear buffer		BD4951	2
6. Bonnet rear seal		BD4920/3	1
7. Petrol flap buffer		BD4321	4
8. Wiper bezel gasket		7769	2
Washer jet gasket		MP1002	pair
9. Jacking point bung		C4928	4
10. Front quarter light seal	RH	BD17049	1
	LH	BD17048	1
11. Rear quarter light seal	RH/LH	BD17072	2
12. Windscreen seal		BD26888*	1
13. Windscreen insert strip		BD48847	1
14. Rear screen seal		BD25297	1
15. Rear screen insert strip		BD48847	1
16. Door glass outer waist seal			
Early models	felt type	BD20010/1	4
Late models	rubber type	BD46440/3*	4
Clip for BD20010/1 on outer		BD22312	24
Door glass inner waist seal		BD20010/1	4
17. Front indicator gasket		MP1004	pair



Jaguar elegance: The beauty that's more than skin-deep

Import each every... (Small text describing Jaguar's engineering and elegance, partially obscured by a small Jaguar logo icon.)

JAGUAR for 1960

Introduce all their world famous saloon and sports models and introduce a brilliant new series.

THE NEW 2.4, 3.4 & 3.8 LITRE V8 MODELS

THE MARK 2 JAGUAR

THE MARK 2 COUPE

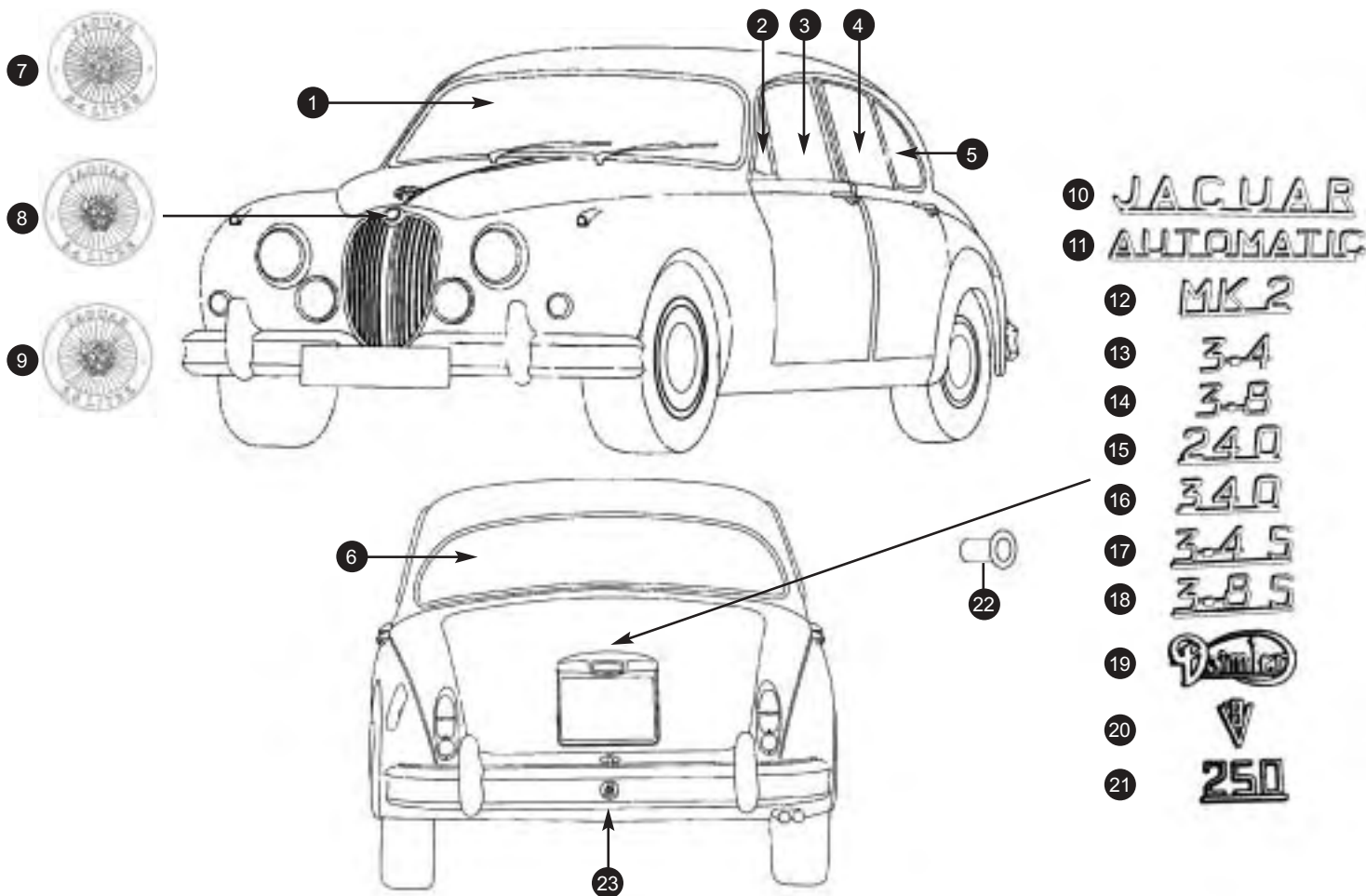
THE MARK 2 SPORTS COUPE

18. Front indicator lens gasket	9257	2
19. Tail lamp mtg gasket	9292	pair
20. Tail lamp lens gasket	9288	pair
21. Headlamp mounting gasket	11577	2
22. Headlamp dust excluder	3446	2
23. Reverse lamp housing seal	RT209/19	1
24. Overrider rubber set	209K	2
25. Boot lid buffer	BEC14310	2
26. Brake/clutch pedal rubber	C8969	2
27. Brake pedal rubber	Automatic C6876	1
28. Accelerator pedal rubber	C11671	1
29. Gearlever gaiter	BD14134	1
30. Dipswitch boot	C2276	1
31. Grommet set	GK122	1
32. Door bottom buffer	BD4951	4
Heater seal (not illustrated)	BD23657	1



Body Glass & Badges

Buy on-line at www.sngbarratt.com



1. Windscreen	clear	BD29575	1	7. "2.4" grille badge	BD11497	1
	tinted	BD29575T	1	8. "3.4" grille badge	BD12448	1
2. Front quarter light	clear	BD17068	2	9. "3.8" grille badge	BD17736	1
	tinted	BD17068T	2	10. "Jaguar" emblem	BD26762	1
3. Front door glass				11. "Automatic" emblem	BD26763	1
clear	early	BD17055	2	12. "MK2" emblem	BD27194	1
	late	BD22580	2	13. "3.4" emblem	BD27196	1
				14. "3.8" emblem	BD27195	1
tinted	early	BD17055/1	2	15. "240" emblem	BD32703	1
	late	BD22580/1	2	16. "340" emblem	BD31034	1
4. Rear door glass				17. "3.4S" emblem	BD26764	1
clear	early	BD17052	2	18. "3.8S" emblem	BD26765	1
	late	BD22581	2	19. "Daimler" emblem	BD24520	1
				20. "V8" emblem	BD24521	1
tinted	early	BD17052/1	2	21. "250" emblem	BD32126	1
	late	BD22581/1	2	22. Badge fixing	BD25659	A/R
5. Rear quarter light glass				23. "Disc Brakes" bumper badge	BD17737	1
clear		BD17089	2			
tinted		BD17089T	2			
6. Rear heated screen (MK2/V8 only)						
clear		BD21942	1			
tinted		BD22742	1			



+44 (0) 1746 765432
sales.uk@sngbarratt.com



+1 603 622 1050
sales.usa@sngbarratt.com



+33 3 85 201 420
sngbarratt.france@wanadoo.fr

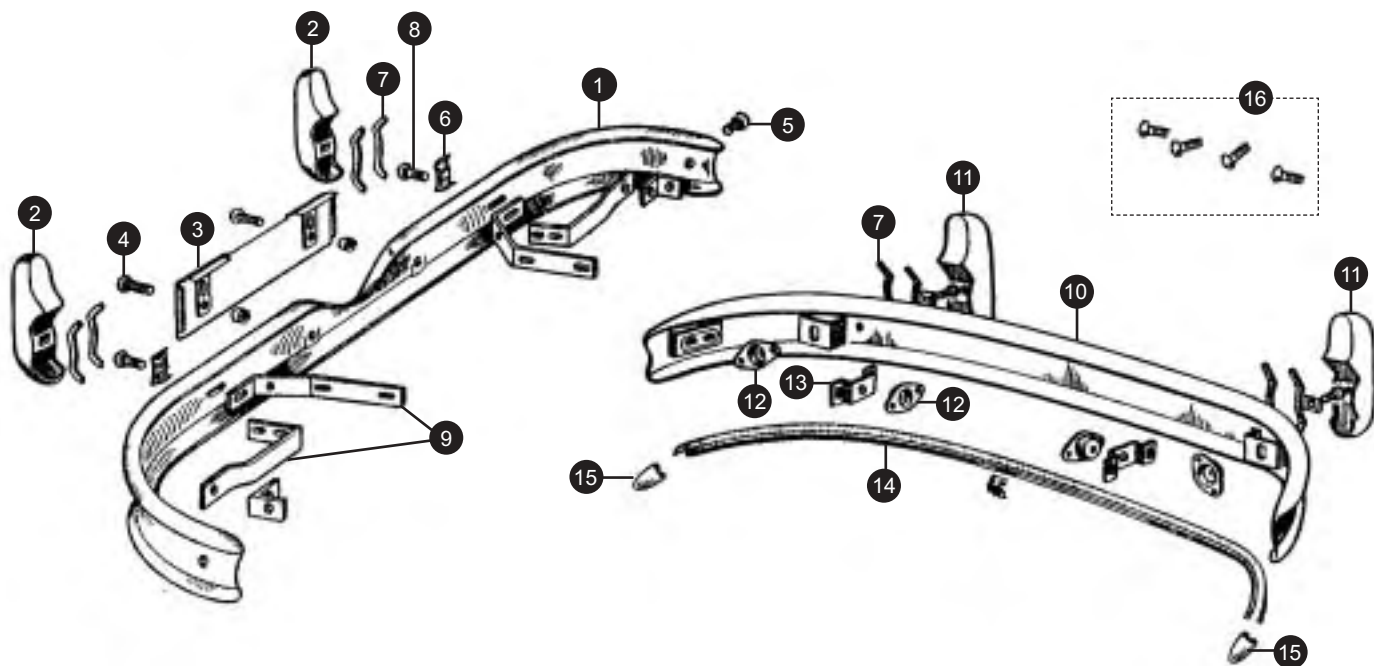


+31 13 52 11 552
verkoop@sngbarratt.com



Bumpers

Buy on-line at www.sngbarratt.com



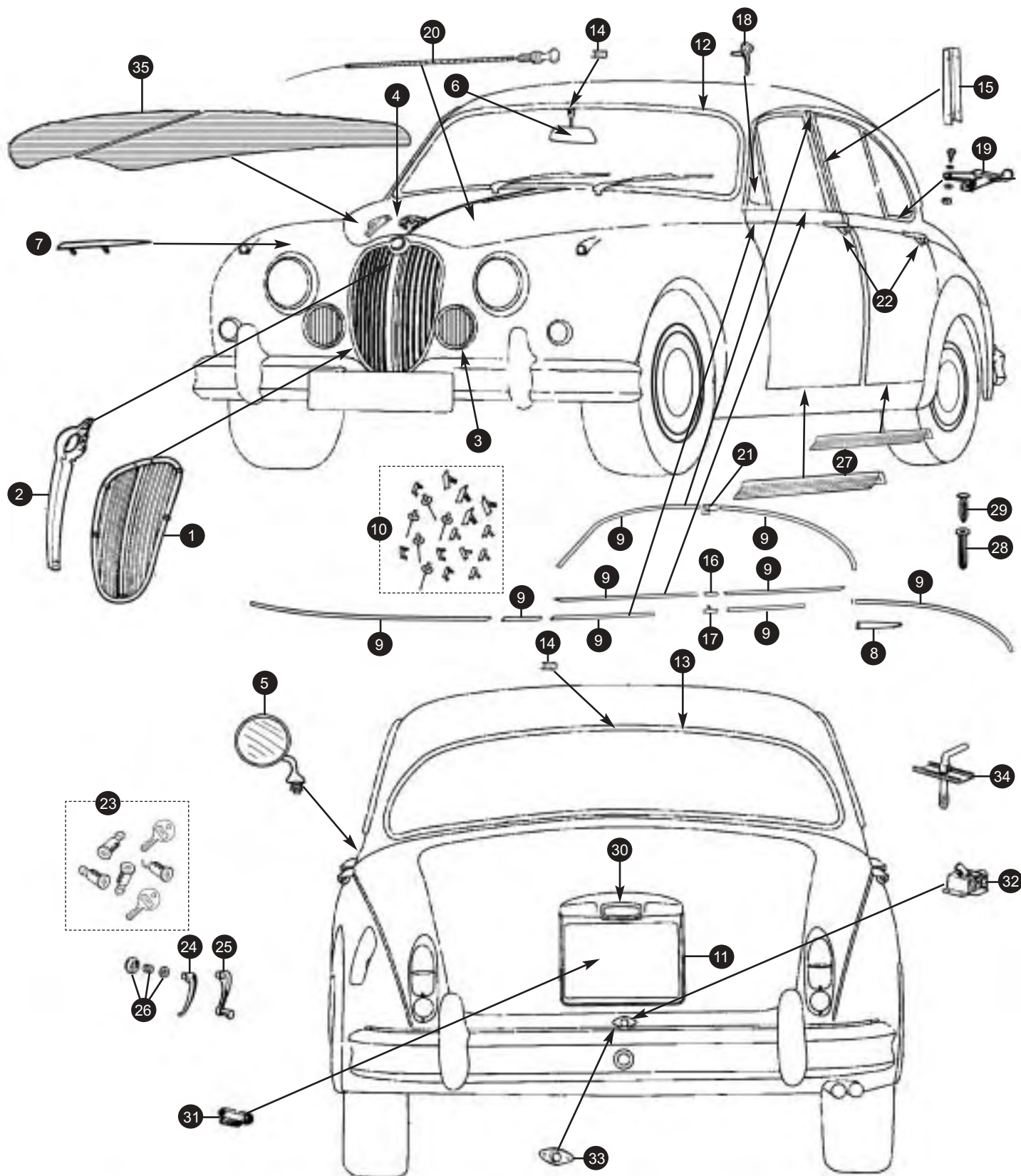
1. Front bumper bar			
MK2/V8 2.5		BD17172	1
240/340/V8 250/S-Type		BD23851	1
2. Front overrider			
MK2/V8 2.5	RH & LH	BD10985	2
240/340/V8 250/S-Type			
	RH	BD26636	1
	LH	BD26635	1
3. Front number plate panel			
MK2/V8 2.5		BD10982	1
240/340/V8 250/S-Type		BD30654	1
4. Bolt			
		BD9869	2
5. Chrome bumper bolt			
		BD9870	2
6. Captive nut			
		BD11006	4
7. Overrider bead set			
		209K	2
8. Overrider nut, bolt & washer			
		BD10990	4
9. Front bumper brackets			
MK2/V8 2.5 complete set		SBS9042	1
240/340/V8 250/S-Type			
Inner	RH	BD23961	1
	LH	BD23960	1
Outer	RH	BD23963	1
	LH	BD23962	1

10. Rear bumper bar			
MK2/V8 2.5		BD17180	1
240/340/V8 250		BD30144	1
S-Type		BD25215	1
11. Rear overrider			
MK2/V8 2.5	RH	BD17186	1
	LH	BD17185	1
240/340/V8 250	RH	BD30145	1
	LH	BD30146	1
S-Type	RH	BD25274	1
	LH	BD25275	1
12. Rear bumper rubber mounting			
		BD9927	4
13. Rear bumper mounting bracket			
		BD9925	2
14. Rear bumper rubber (MK2/V8 only)			
		BD9949/1	1
15. Rear bumper rubber chrome finisher (MK2/V8 only)			
	RH	BD18081	1
	LH	BD18080	1
16. Bumper bolt kits			
Front	BBK11	Rear	SBS9031
			1



Body Fittings

Buy on-line at www.sngbarratt.com



EXAMPLE ILLUSTRATION
(MK2, V8 & S-Type listed in text)



+44 (0) 1746 765432
sales.uk@sngbarratt.com



+1 603 622 1050
sales.usa@sngbarratt.com



+33 3 85 201 420
sngbarratt.france@wanadoo.fr



+31 13 52 11 552
verkoop@sngbarratt.com



Body Fittings

Buy on-line at www.sngbarratt.com

1. Radiator grille			
MK2		BD17149	1
Daimler V8		BD24188	1
S-Type	Surround	BD27440	1
	Vanes	BD25552	1

2. Radiator grille centre vane/badge boss			
MK2		BD17145	1
S-Type		BD27436	1

3. Horn grille			
MK2/V8		BD17339	2
S-Type		BD26050	2

4. Bonnet mascot			
MK2		BD10954	1
Daimler V8		BD23927	1
S-Type		BD10954	1

5. Wing mirror	round	C16114	2
-----------------------	-------	--------	---

6. Interior rear view mirror			
MK2		C20697	1
Daimler V8		C20697	1
S-Type		C20697	1

7. Headlamp teardrop moulding			
MK2/Daimler V8		BD9875	2

8. Rear chrome spear			
S-Type	RH	BD25577	1
	LH	BD25578	1

9. Chrome moulding set			
MK2	Standard	SBS1282	1
	Show quality	SBS1271	1

Will require BD25577/25578 to complete for S-Type. A full contents list of the above chrome moulding set is available separately upon request.

10. Chrome moulding clip set	SBS1271FK	1
-------------------------------------	-----------	---

The original clips are no longer available so we use a circular headed pop rivet as an alternative. This is suitable for most cars from the 1960's with thin chrome body mouldings and can be ordered as required. SBS1271FK contains the following items which can be ordered separately if required:

Body moulding pop rivet	BD26706/1	60
Bonnet side chrome staple clip	BAC5298	24
Bonnet centre chrome retaining plate	BD9848	10
Number plate chrome staple clip	BD10809	6
Number plate chrome plastic T clip	BD20887	6
Number plate moulding T clip nut	BD21040	6

11. Rear number plate/boot moulding			
MK2/Daimler V8		BD10764*	1
S-Type		BD20886	2

12. Front screen mouldings			
	RH	BD16910	1
	LH	BD16909	1

13. Rear screen mouldings			
MK2/V8	RH	BD16994	1
	LH	BD16993*	1
S-Type	RH	BD25304	1
	LH	BD25303	1

14. Screen moulding joining clip			
Front		BD5366/1	2

Rear	MK2/V8	BD5366/1	2
	S-Type	BD19837	2

15. Chrome B post cover			
MK2/Daimler V8		BD16752	2
S-Type		BD25533	2

16. Upper B post moulding			
MK2/Daimler V8		BD17090	2

17. Lower B post moulding			
		BD31273	2

18. Front quarter light catch					
MK2	RH	BD17112	LH	BD17111	1
Daimler V8	RH	BD17112	LH	BD17111	1
S-Type	RH	BD24957	LH	BD24958	1

19. Rear quarter light catch					
All models	RH	BD20087	LH	BD20086	1
Cover for rear quarter light catch		BD5434			2
Shouldered bolt and nut		841			2
Setscrew securing base to bracket		BD5454/3			2

20. Bonnet release cable			
		BD10221	1

21. Gutter moulding joining clip			
		BD17139	2

22. Door handles			
	LHF	BD16720	1
	RHF	BD16721	1
	LHR	BD16722	1
	RHR	BD16723	1

23. Lock barrel set with matched keys			
Doors only		BF1070	1
Doors, boot, ignition and glovebox		SBS1289	1

Lock barrel retaining circlip	8192	2
--------------------------------------	------	---

24. Interior door handle			
		BD10728	4

25. Window winder handle			
		BD10729	4

26. Handle escutcheon			
		BD10730/1/2	4

27. Door tread plates			
Original lattice aluminium	Front	BD14986	2
	Rear	BD14988	2

Show quality polished alloy	SBS1033	set
-----------------------------	---------	-----

28. Carpet stud retaining socket			
		SBS1039	A/R

29. Carpet stud			
		BD40871	A/R

30. Rear number plate/reverse lamp housing			
MK2		6711	1
Daimler V8		10008	1
S-Type		9272	1

31. Rear number plate buffer			
		BD4951	4

32. Boot lock mechanism			
MK2/Daimler V8		BD9888	1

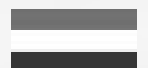
33. Boot lock escutcheon			
MK2/Daimler V8		BD11472	1

34. Spare wheel clamp			
		BD11007*	1

35. Door capping chrome screw & cup washer set			
		SBS9030	1

36. Bonnet Insulation kits			
MK2/V8 with bulkhead/heater insulation in black vinyl covered fire retardant foam which requires special spray adhesive		SBS1450AA	1
		SBS1450	1

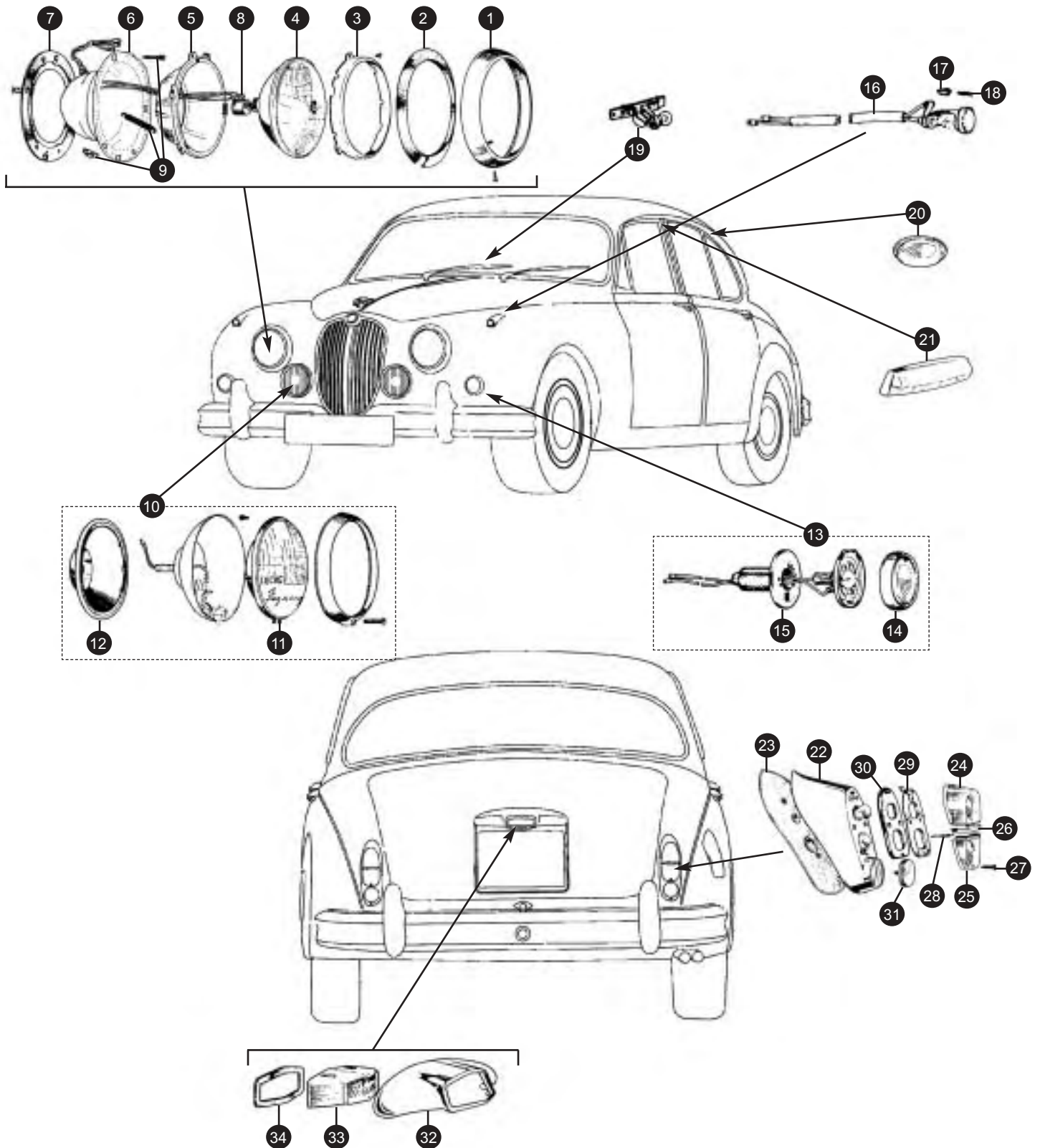
Aluminium reflective type (bonnet only)			
MK2/V8/S-Type		U2121	1





MK2 & V8 Lamps & Lighting

Buy on-line at www.sngbarratt.com



+44 (0) 1746 765432
sales.uk@sngbarratt.com



+1 603 622 1050
sales.usa@sngbarratt.com



+33 3 85 201 420
sngbarratt.france@wanadoo.fr



+31 13 52 11 552
verkoop@sngbarratt.com



MK2/V8 Lamps & Lighting

Buy on-line at www.sngbarratt.com



1. Headlamp rim	6512	2
2. Dust seal	3446	2
3. Retaining rim	515218J	2
4. Headlamp unit		

Standard sealed beam

RHD	JLM9602	2
LHD	JLM9604	2

H4 halogen conversion kits - all you need to convert to H4

RHD	SBS9150	1
LHD	SBS9151	1

5. Shroud	27H6481	2
6. Headlamp bowl	54522342	2
7. Headlamp gasket	9303	2
8. Wiring adaptor		
Original round type	7764	2
Plastic type with pilot bulb holder	12980	2

9. Headlamp adjuster kit	BHM7058J	2
--------------------------	----------	---

10. Foglamp assembly	C20735	2
11. Foglamp unit	57H5384	2
12. Embellisher	C15420	2
Foglamp bulb	JLM260	2

13. Indicator lamp assembly

Amber	C15430	2
Clear	C15431	2

14. Lens & rim

Amber	5322	2
Clear	7667	2

15. Rubber boot

Indicator bulb	8059	2
	DBC11382*	2

16. Sidelamp	C14929	2
17. Sidelamp red prism	C4691	2
18. Retaining clip	C4098/2	2
Sidelamp bulb	JLM9587*	2
Sidelamp retaining screw	C4549/3	2

19. Map light	C15486	1
Bulb	JLM9601*	1

20. Rear courtesy lamp	C44322	2
Rear courtesy lamp bulb	GLB256	2

21. Front courtesy lamp lens & cover	10184	2
Bulb	LNA5180AA*	2

22. Rear lamp chrome housing		
RH	8087	1
LH	8085	1

23. Housing to wing gasket	9721	2
----------------------------	------	---

24. Indicator lens		
Amber	8080	2
Red	8089	2

from £1,365 to £2,427, from 2.4 to 4.2 litres
from 133 b.h.p. to 265 b.h.p., from two people to five

JAGUAR

offers the most complete
range in the world of high
performance motoring



2.60 The most powerful and fastest Jaguar ever built, with 265 b.h.p. and a top speed of 140 m.p.h. It is also the most economical, with a range of 400 miles on a tank of 20 gallons.



2.75 Type The most powerful and fastest Jaguar ever built, with 265 b.h.p. and a top speed of 140 m.p.h. It is also the most economical, with a range of 400 miles on a tank of 20 gallons.



4.20 The most powerful and fastest Jaguar ever built, with 265 b.h.p. and a top speed of 140 m.p.h. It is also the most economical, with a range of 400 miles on a tank of 20 gallons.



4.20 W The most powerful and fastest Jaguar ever built, with 265 b.h.p. and a top speed of 140 m.p.h. It is also the most economical, with a range of 400 miles on a tank of 20 gallons.



XJ6 Type The most powerful and fastest Jaguar ever built, with 265 b.h.p. and a top speed of 140 m.p.h. It is also the most economical, with a range of 400 miles on a tank of 20 gallons.



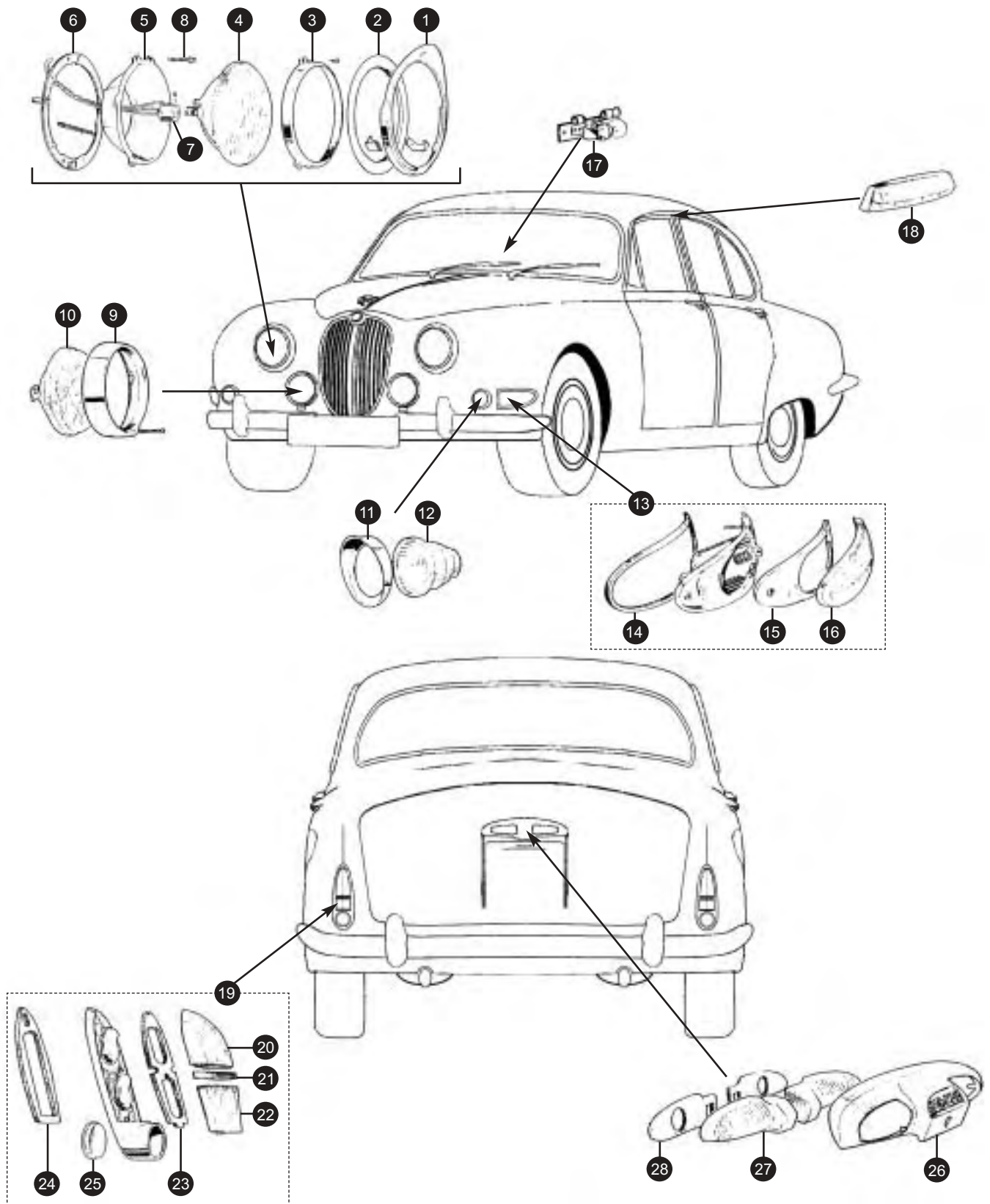
Indicator bulb	DBC11382*	2
25. Stop and tail lens	8081	2
Stop and tail bulb	DBC11383*	2
26. Chrome clip	8174	2
27. Chrome screw	8082	2
28. Lens divider plate	8174	2
29. Lens retaining plate	9322	2
30. Lens to lamp gasket	8083	2
31. Rear reflector	9291	2
32. Number plate and reverse lamp chrome housing		
Jaguar	6711	1
Daimler	10008	1
33. Lens		
Jaguar	3487	1
Daimler	9719	1
34. Lens seating gasket	3488	1
Number plate bulb	JLM9601*	2
Reverse lamp bulb	DBC11382*	1





S-Type Lamps & Lighting

Buy on-line at www.sngbarratt.com



+44 (0) 1746 765432
sales.uk@sngbarratt.com



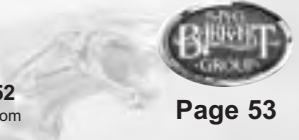
+1 603 622 1050
sales.usa@sngbarratt.com



+33 3 85 201 420
sngbarratt.france@wanadoo.fr



+31 13 52 11 552
verkoop@sngbarratt.com



S-Type Lamps & Lighting

Buy on-line at www.sngbarratt.com



1. Headlamp rim	BD25713	2
2. Dust seal	3446	2
3. Retaining rim	515218J	2
4. Headlamp unit		

Standard sealed beam

RHD	JLM9602	2
LHD	JLM9604	2

H4 halogen conversion kits - all you need to convert to H4

RHD	SBS9150	1
LHD	SBS9151	1

5. Shroud	27H6481	2
6. Headlamp gasket	9303	2
7. Wiring adaptor		
Original round type	7764	2
Plastic type with pilot bulb holder	12980	2

8. Headlamp adjuster kit	BHM7058J	2
---------------------------------	----------	---

9. Foglamp rim	10211	2
10. Foglamp assembly	C21731	2
Foglamp bulb	JLM260	2

11. Sidelamp	C21538	2
12. Sidelamp rim	C18194	2
Sidelamp bulb	JLM9601*	2

13. Indicator lamp			
Amber	RH	C33942	1
	LH	C33943	1
Clear	RH	C21536	1
	LH	C21537	1

14. Indicator lamp gasket	MP1004	pair
----------------------------------	--------	------

15. Indicator lens gasket			
	RH	9257	1
	LH	11619	1

16. Indicator lens			
Amber	RH	9255	1
	LH	9260	1

Clear	RH	9262	1
	LH	9263	1

Indicator lamp bulb	DBC11382*	2
----------------------------	-----------	---

17. Map light Bulb	C15486	1
	JLM9601*	1

18. Courtesy lamp lens & cover Bulb	10184	3
	LNA5180AA*	3

19. Rear lamp			
Red/amber	RH	C33930	1
	LH	C33931	1



Red/red	RH	C17186	1
	LH	C17187	1

20. Indicator lens			
Amber		12784	2
Red		9293	2
Indicator lamp bulb		DBC11382*	2

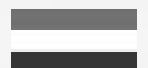
21. Dividing shield	9284	2
22. Stop and tail lens	12785	2
Stop and tail bulb	DBC11383*	2

23. Lens to lamp gasket	9288	2
24. Lamp to wing gasket	9292	2
25. Rear reflector	9291	2

26. Number plate and reverse lamp chrome housing	9272	1
---	------	---

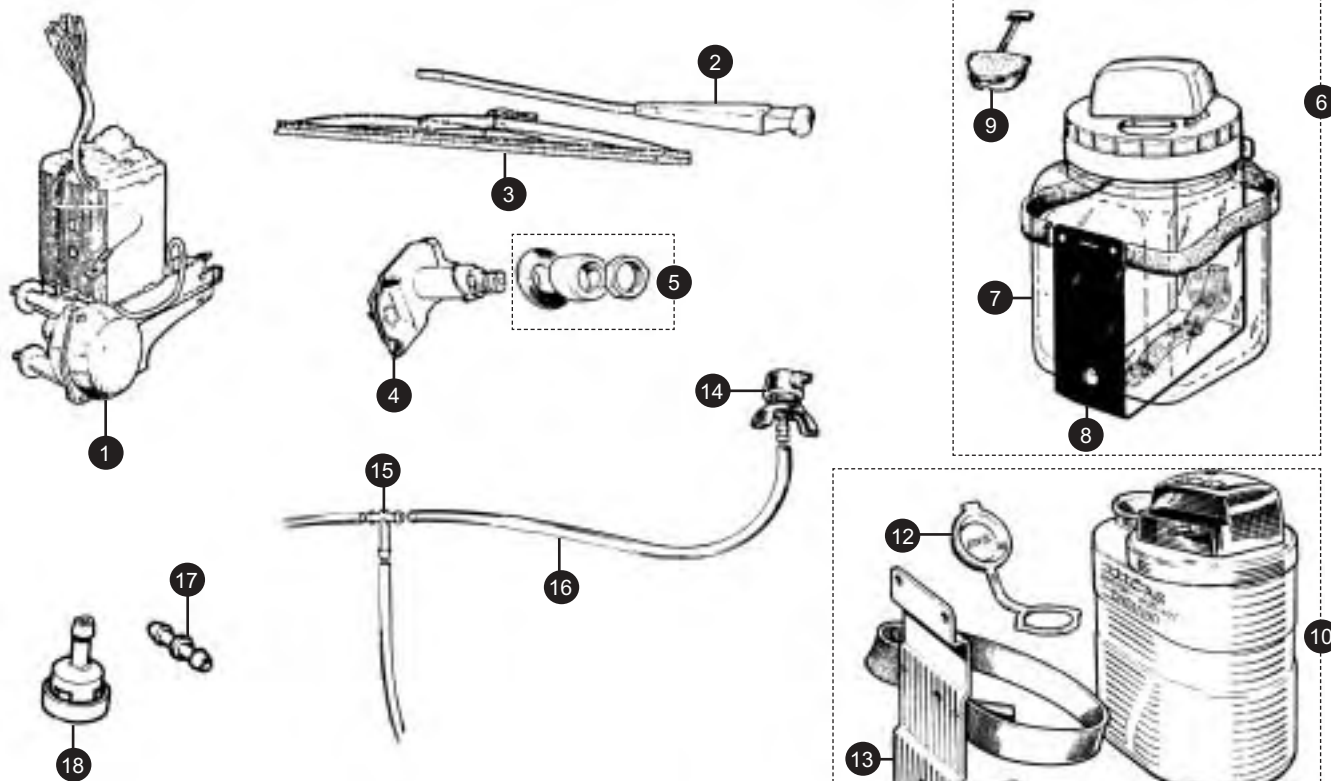
27. Reverse lamp lens			
	RH	9273	1
	LH	9274	1

28. Reverse lamp lens gasket	9275	2
Reverse lamp bulb	DBC11382*	2
Number plate lamp bulb	JLM9601*	1



Wash Wipe Components

Buy on-line at www.sngbarratt.com



1. Wiper Motor	RHD	C13503	1
	LHD	C13504	1
2. Wiper arm	RHD	10079	2
	LHD	10080	2
3. Wiper blade		8183	2
4. Wiper wheel box	All models	C40090	2
5. Wiper wheel box bezel kit	Includes bezel, gasket and nut	7767K	2
6. Washer bottle assembly	Earlier glass type	C17004	1
7. Glass washer bottle		8040	1
8. Washer bottle bracket		8041	1
9. Rubber filler cap		8038	1
10. Washer bottle assembly	Later plastic type	C25438	1
11. Plastic washer bottle		JLM9643	1
12. Washer filler cap		11085	1
13. Washer bottle bracket		514223A	1
14. Washer jet		C15645	2
15. Three way joiner 'T' piece		C15644	1
16. Washer tubing (sold by the metre)	Clear	SBS9900	A/R
	Green	SBS9901	A/R
17. Washer tube connector		C33835	A/R
18. Washer tube foot valve		GWW506	1



+44 (0) 1746 765432
sales.uk@sngbarratt.com



+1 603 622 1050
sales.usa@sngbarratt.com



+33 3 85 201 420
sngbarratt.france@wanadoo.fr

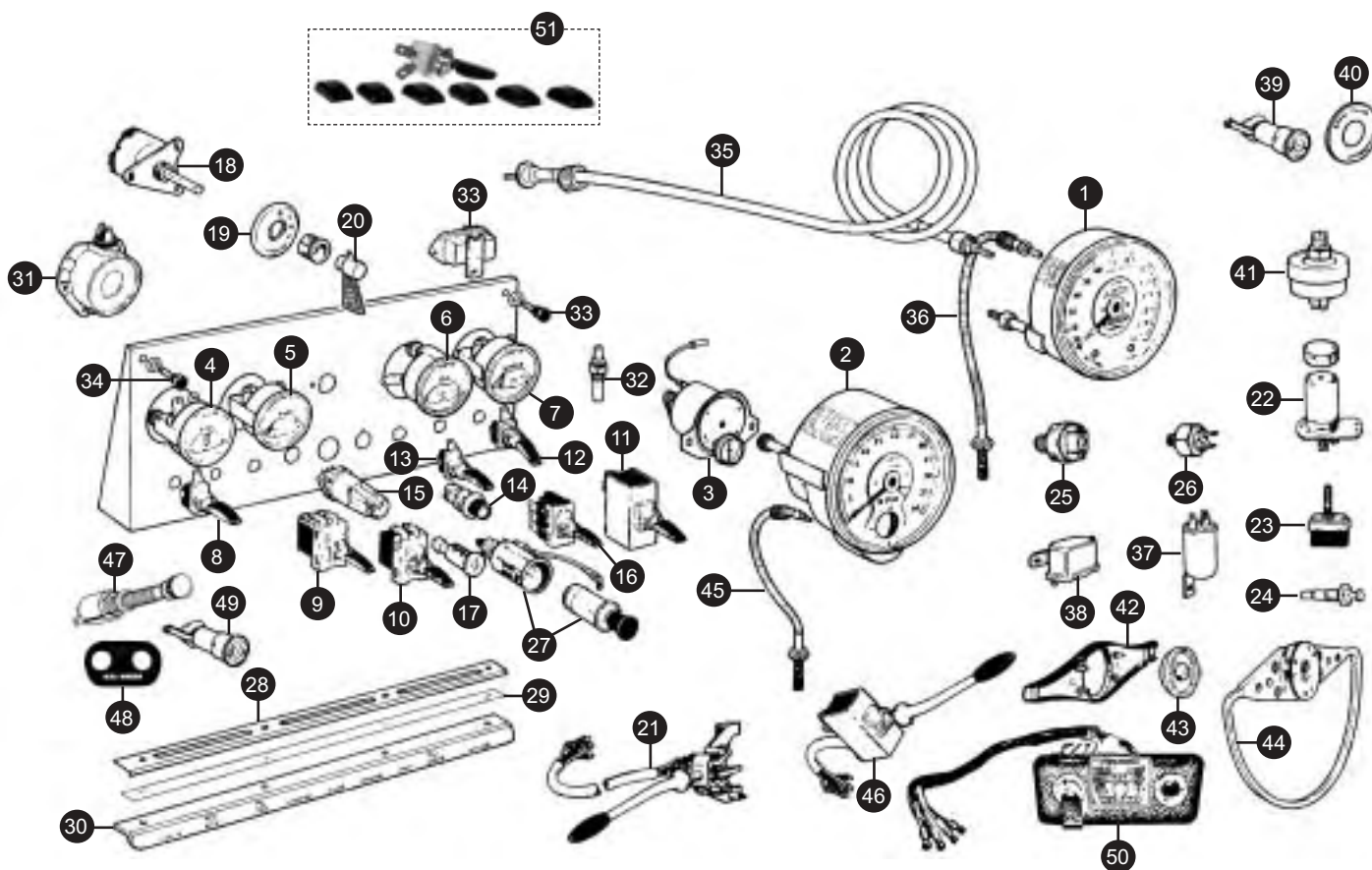


+31 13 52 11 552
verkoop@sngbarratt.com



Dashboard, Switches & Gauges

Buy on-line at www.sngbarratt.com



1. Speedometer*	RB1001	1
2. Tachometer*	RB1002	1
*Reconditioning service only. Simply tag your speedometer, tachometer or gauge before you send it to us. This will ensure that you receive your own unit in return and that it cannot be mis-laid. Use a <u>tie on label</u> and include the following details.		
Your name- Your customer number (if you have one!) - Your telephone number - The exact model of your car - Any special instructions i.e. retain indicated mileage, etc.		
3. Time clock		
Suitable for positive and negative earth	10488R	1
4. Ammeter		
Daimler V8 2.5 C40 dynamo	C26578	1
Daimler V8 250 11AC alternator	C27309	1
MK2/S-Type C45/C42 dynamo	C20803	1
MK2/S-Type C48 dynamo	C18190	1
5. Fuel gauge		
MK2/V8	C15475	1
S-Type	C21972	1
6. Oil pressure gauge		
All models	C18641	1
7. Water temperature gauge		
MK2/S-Type	C18640	1
340 late/V8 250 late	C29876	1

8. Interior light switch		
MK2/V8	C15760	1
S-Type	C15589	1
9. Panel light switch	C15455	1
10. Heater fan switch	C15589	1
11. Windscreen wiper switch	C15456	1
12. Windscreen washer switch	C15759	1
13. Map light switch	C15760	1
14. Starter button	C15454	1
15. Ignition switch		
MK2/V8 2.5/S-Type with dynamo	C15454	1
V8 250 with alternator	C22258	1
16. Fuel tank changeover switch		
S-Type	C17191	1
17. Ignition switch barrel	BD10610	1
18. Lighting switch		
With foglamps	C20246	1
Without foglamps	C18188	1
19. Lighting switch escutcheon		
With foglamps	C15447	1
Without foglamps	C15449	1
20. Lighting switch lever	C27065	1



Dashboard, Switches & Gauges

Buy on-line at www.sngbarratt.com

21. Early indicator switch	C25255	1
MK2 2.4 to chassis no. 118537 & 127710		
MK2 3.4 to chassis no. 170118 & 180309		
MK2 3.8 to chassis no. 234714 & 224274		
S-Type 3.4 to chassis no. 1B6091 & 1B25787		
S-Type 3.8 to chassis no. 1B56871 & 1B78908		

Late indicator switch	C25555	1
MK2 2.4 from chassis no. 118538 & 127711		
MK2 3.4 from chassis no. 170119 & 180310		
MK2 3.8 from chassis no. 234715 & 224275		
S-Type 3.4 from chassis no. 1B6092 & 1B25788		
S-Type 3.8 from chassis no. 1B56872 & 1B78909		

Chrome lever & knob only	C25555K	1
-------------------------------------	---------	---

22. Headlamp dipswitch		
MK2/V8 2.5	C2639	1
240/340/V8 250/S-Type	RTC432J	1
Rubber cap (for C2639 only)	C22276	1

23. Handbrake/choke warning light switch		
All models	C16660	1

24. Courtesy light switch		
Front and rear	C9653	4

25. Reverse light switch	DAC3844	1
26. Brake warning light switch	C16062	1
27. Cigar lighter	C18638	1
28. Indicator strip finisher	C15916	1
29. Indicator strip green light filter	C25937	1
30. Indicator strip		
MK2/V8	RHD C15609	1
	LHD C15610	1
S-Type	RHD C22038	1
	LHD C22039	1

31. Rev counter generator	C14996	1
32. Water temperature sender	C15472	1
33. Voltage stabiliser	148876J*	1
34. Thumbscrew		
MK2/V8	C15785	2
S-Type	C19469	2

35. Speedometer cable

<u>MK2 manual O/D</u>		
RHD	early 78"	C16332 1
	late 68"	C25403 1
LHD	early 96"	C15932 1
	late 106"	C26432 1

<u>MK2 automatic</u>		
RHD	early DG gearbox 78" metal cone end	C15933 1
	later BW35 gearbox 66" plain screw end	C15929 1
LHD	early DG gearbox 60" metal cone end	C15934 1
	later BW35 gearbox 84" plain screw end	C15930 1

<u>Daimler V8 manual O/D</u>			
RHD	78"	C16332	1
LHD	106"	C26432	1

<u>Daimler V8 automatic</u>			
RHD	66"	C15929	1
LHD	84"	C15930	1

<u>S-Type manual O/D</u>			
RHD	early 78"	C16332	1
	late 68"	C25403	1
LHD	early 96"	C15932	1
	late 76"	C25696	1

<u>S-Type automatic</u>			
RHD	Early DG gearbox 78" metal cone end	C15933	1
	Later BW35 gearbox 66" plain screw end	C15929	1

LHD	Early DG gearbox 60" metal cone end	C15934	1
	Later 78" plain screw end	C15933	1

36. Speedometer trip cable	C26162	1
-----------------------------------	--------	---

37. Indicator flasher unit			
	Screw terminals	C5230	1
	Spade terminals	C16063	1

38. Horn relay	C17338	1
-----------------------	--------	---

39. Brake fluid/handbrake warning light	38726	1
--	-------	---

40. Brake fluid warning light escutcheon	C19637	1
---	--------	---

41. Oil pressure sender unit	C15474	1
-------------------------------------	--------	---

42. Horn push cover*	C22271	1
-----------------------------	--------	---

43. Horn push badge*	C22272	1
-----------------------------	--------	---

(*Only later type is available but can be used to replace early type if both cover and badge are fitted.)

44. Horn ring	C18979	1
----------------------	--------	---

45. Time clock reset cable	C15287	1
-----------------------------------	--------	---

46. Overdrive switch	C23391*	1
-----------------------------	---------	---

47. Heated rear window switch	C2744	1
--------------------------------------	-------	---

48. Heated rear window switch bezel	C25883	1
--	--------	---

49. Heated rear window warning light	C26467	1
---	--------	---

50. Hazard warning light switch panel	C26344	1
--	--------	---

51. Toggle switch knob set	TSK1	1
-----------------------------------	------	---



The Jaguar 3.8 Sedan



+44 (0) 1746 765432
sales.uk@sngbarratt.com



+1 603 622 1050
sales.usa@sngbarratt.com



+33 3 85 201 420
sngbarratt.france@wanadoo.fr



+31 13 52 11 552
verkoop@sngbarratt.com



Wiring Looms

Buy on-line at www.sngbarratt.com



MK2 3.4/3.8

Main harness

RHD/LHD manual with O/D cotton	C15459	1
RHD/LHD manual with O/D PVC	JL163	1
RHD/LHD automatic cotton	JL172	1
RHD/LHD automatic PVC	JL173	1
Boot lid	C15668	1
Body RH	C15460	1
Body LH	C15461	1
Centre console with warning lights & glovebox	C15790	1
Overdrive	JL174	1
Interior lights	JL216	1
Foglamp, sidelamp & indicators	JL217	1
Alternator harness (where fitted)	JL175	1

240/340

Main harness

RHD/LHD manual with O/D cotton	JL164	1
RHD/LHD manual with O/D PVC	JL165	1
RHD/LHD automatic cotton	JL176	1
RHD/LHD automatic PVC	JL177	1

All other looms as per MK2

Daimler V8

Main harness

RHD/LHD manual/auto with dynamo	C28363	1
RHD/LHD manual/auto with alternator	C28362	1

Automatic gearbox	JL179	1
-------------------	-------	---

All other looms as per MK2

S-Type

Main harness

RHD manual & automatic	JL211	1
LHD manual & automatic	JL221	1
RHD manual dash harness	JL212	1
RHD auto dash harness	JL232	1
LHD manual dash harness	JL222	1
LHD auto dash harness	JL242	1
Centre console with warning lights & glovebox	JL213	1
Boot lid	JL218	1
Body RH	JL215	1
Body LH	JL214	1
Interior lights	JL216	1
Foglamp, sidelamp & indicators	JL217	1

Miscellaneous Harness Fittings, Leads & Connectors.

Female connectors	single	3586	A/R
	twin	CWB301	A/R
5 way connector		3570	1
	strap	C2796	1
10 way connector		3582	1
	strap	C2797	1
Male bullet ends (pkt 20)		CWB320	A/R
Sleeve terminal (pkt 10)		EL1018	A/R
Earth clip		EL1035	A/R

New JAGUAR 3.4 & 3.8 'S' models

Join the famous range of Mark 2, Mark Ten, & 'E' type models which continue unchanged

The latest development
of one of the world's
most successful cars

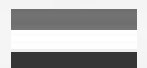
The wide choice of high performance, high quality motoring which the Jaguar range already provides, is now further extended by the introduction of these new 3.4 and 3.8 'S' models. With impeccable body styling and spacious interior proportions, these cars are powered by the world famous Jaguar XK engine of either 3.4 litre or 3.8 litre capacity. The many important features incorporated include:-

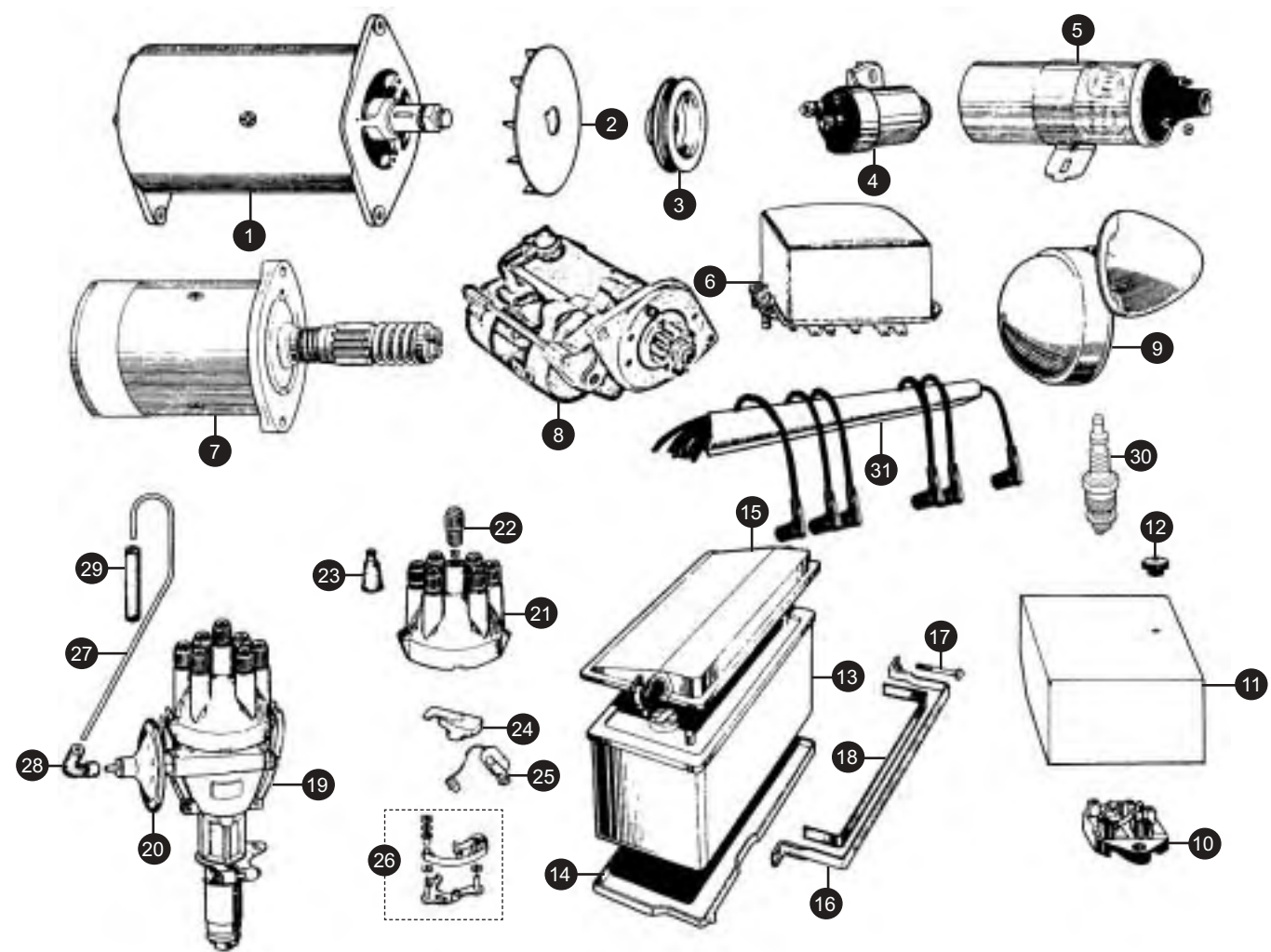
- 30 broad independent suspension providing maximum riding comfort under all conditions.
- Self adjusting Torq Drive to all four wheels, not self adjusting handbrake.
- 500cc capacity variable volume braking with over 4000 cc overall for easy compression.
- Steering wheel for driver and front passenger.
- An exceptionally large storage load capacity on virtually unobstructed total capacity of no less than 13000 lbs.
- 1200 cc grand touring engine with over 1000 cc with charge ratio which makes power.
- Sports interior with ground level and big wheel styling the highest degree of modern.

The new 'S' models are available in 24 hours of complete delivery. The new total performance is superior design and construction.



See the Jaguar range including the new 'S' models on Stand 118 Earls Court





1. Dynamo/alternator

MK2 dynamo

C45	22528 PAS	C15254R	1
C45	22496 Non PAS	C15255R	1
C48	22803 High output	C16461R	1
C42	22906 PAS	C16930R	1
C42	22902 Non PAS	C18286E	1
C48	22804 High output	C18488	1

S-Type dynamo

C42	22906 PAS	C16930R	1
C42	22902 Non PAS	C18286E	1
C48	22804 High Output	C18488R	1

Daimler V8

Dynamo C40	22716 All models	C20626	1
Alternator	All models	C25073E	1

2. Dynamo/alternator fan

MK2/S-Type dynamo		C7428	1
Daimler V8 dynamo		C21605	1
Daimler V8 alternator		605410J	1

3. Dynamo pulley

MK2/S-Type dynamo	single V belt	C14590	1
-------------------	---------------	--------	---

MK2/S-Type dynamo	double V belt	C19520	1
Daimler V8 dynamo		C20912	1
Daimler V8 alternator		C27447	1

4. Starter solenoid

		C19468	1
5. Ignition coil	screw in	C8749	1
	push in	C30120	1

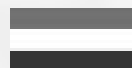
6. Voltage control unit

MK2/S-Type/Daimler V8 2.5 (dynamo)			
RB340	25 amp	NCB131	1
	30 amp	C18287	1

Daimler V8 250 (alternator)		C22253	1
-----------------------------	--	--------	---

7. Standard starter motor

MK2/S-Type	manual	C12679E	1
	automatic	C10980R	1
Daimler V8	manual	C8786R	1
	automatic	C8786R	1



General Electrics

Buy on-line at www.sngbarratt.com



8. Up-rated starter motor

Utilising modern technology and offering 200% more cranking power, lightweight and compact and uses far less current than conventional starters. USM002 1

9. Horn

Early	high tone	C5226R	1
	low tone	C5227	1
Late	high tone	C19081	1
	low tone	C19080	1

10. Fusebox

MK2/Daimler V8	C16510	1
S-Type	C16053	1

11. Fusebox cover

All models	small type	C12366	1
	large type	C20687	1

12. Fusebox cover nut

	C5549	1
--	-------	---

13. Rubber battery

all models	BATT242R	1
------------	----------	---

14. Battery tray

all models	C26782	1
------------	--------	---

15. Battery cover

all models	C14346	1
------------	--------	---

16. Battery fixing bracket

all models	C10186	1
------------	--------	---

17. Battery bracket bolt

all models	C10187	2
------------	--------	---

18. Battery bracket rubber

all models	C10188/1	1
------------	----------	---

19. Distributor assembly

MK2 (DMBZ type)	C14269R	1
-----------------	---------	---

MK2/S-Type (22D6 type)	C25285R	1
------------------------	---------	---

Daimler V8	136104R	1
------------	---------	---

20. Distributor vacuum unit

MK2 (DMBZ type)	7983	1
-----------------	------	---

MK2/S-Type (22D6)	9969	1
-------------------	------	---

Daimler V8	54424997	1
------------	----------	---



For more information on the new Jaguar XK-E, visit our website at www.jaguar.com. The new XK-E is a true sports car, offering the performance and handling of a sports car, with the luxury and refinement of a sedan. The new XK-E is a true sports car, offering the performance and handling of a sports car, with the luxury and refinement of a sedan. The new XK-E is a true sports car, offering the performance and handling of a sports car, with the luxury and refinement of a sedan.

The Jaguar XK-E vs. the 3.8 Sedan

21. Distributor cap

MK2 (DMBZ type)	6478	1
MK2/S-Type (22D6)	JLM9523	1
MK2 240 (side entry)	11573	1
Daimler V8	DDB118	1

22. HT lead acorn

	C11906	7/9
--	--------	-----

Copper washer

	C5452	7/9
--	-------	-----

Kit of 7 acorns and washers for 6cyl

	SBS1010-B	1
--	-----------	---

23. HT lead acorn rubber cover

	C2607	7
--	-------	---

24. Rotor arm

MK2/S-Type	JLM263	1
------------	--------	---

V8	DRB112C	1
----	---------	---

25. Condenser

MK2/S-Type	JLM9656	1
------------	---------	---

V8	136104/3	1
----	----------	---

26. Contact set

MK2 (DMBZ type)	C11990	1
-----------------	--------	---

MK2/S-Type (22D6)	JLM9520	1
-------------------	---------	---

Daimler V8	DSB110C	2
------------	---------	---

27. Vacuum advance pipe

	37H4229M	1
--	----------	---

28. Rubber tube connector

	C14212	1
--	--------	---

29. Rubber elbow connector

	C21573	1
--	--------	---

30. Spark plug

MK2 2.4/240	N5C	6
-------------	-----	---

MK2/S-Type 3.4/3.8	EAC8916	6
--------------------	---------	---

Daimler V8	N5C	8
------------	-----	---

31. HT lead set

MK2/S-Type	SBS1010	1
------------	---------	---

V8	432659/2	1
----	----------	---

V8 spark plug extensions	432665	8
--------------------------	--------	---



Electronic Ignition Conversion Kits

Buy on-line at www.sngbarratt.com

The constant changing of points and condensers on any Jaguar or Daimler is both inconvenient and time consuming. The later Jaguars all feature electronic ignition which comes with the obvious advantages of greater reliability, economy and maintenance free motoring. The kits we provide are all produced by leading manufacturers and are built to out last many of the cheaper kits that are available from many of our competitors! They are fairly easy to fit and require no further adjustment once they are in situ, so fit one and forget it!



Ignitor Electronic Ignition Kits

A solid-state electronic system... "never change points again!"

Test results show the Ignitor delivers twice the voltage to the spark plugs, increasing horsepower, fuel economy and plug life.

A 2:1 improvement over point type systems in current fall time for increased coil output.

System is designed for use with most point-type coils.

Rotating cobalt magnets, mounted on the distributor shaft, trigger an electronic switching module (Hall effect integrated circuit) ...no points to burn, pit and corrode ...no moving and rubbing parts to wear out.

Electronics are molded in epoxy, eliminating deterioration from dirt, oil, grease or moisture (better foul weather performance).

Fits entirely inside the distributor, no "black box" to clutter your engine compartment. Stable timing... no need for any further adjustments.

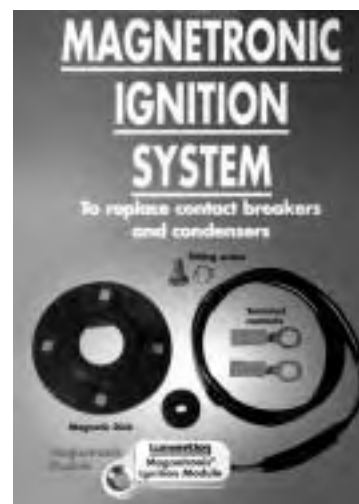
No complicated wiring makes installations easy.

MK2 early DMBZ distributor type

Positive earth	XKDMBZ/P
Negative earth	XKDMBZ

MK2 & S-Type later 22D6 distributor type

Positive earth	XKDMBZ/P
Negative earth	XKDMBZ



Magnetronic Electronic Ignition Kits

Easier starting

Overcomes distributor wear

Increased fuel economy

Maintenance free

No permanent modification required

Fits within the distributor cap

Die cast aluminium module

OEM quality components

MK2 early DMBZ distributor type

Fitting kit FK124	Power unit PMA50
-------------------	------------------

MK2 & S-Type later 22D6 distributor type

Standard system	Fitting kit FK116	Power unit PMA50
Magnetronic system (negative earth only)	MTK005	

Daimler V8

Fitting kit FK123	Power unit PMA50
-------------------	------------------



45D Electronic Ignition

Conversion to upgrade most 6 cylinder cars to later 45D electronic ignition as fitted to XJ6 Series 3. RTC2641*



+44 (0) 1746 765432
sales.uk@sngbarratt.com



+1 603 622 1050
sales.usa@sngbarratt.com



+33 3 85 201 420
sngbarratt.france@wanadoo.fr

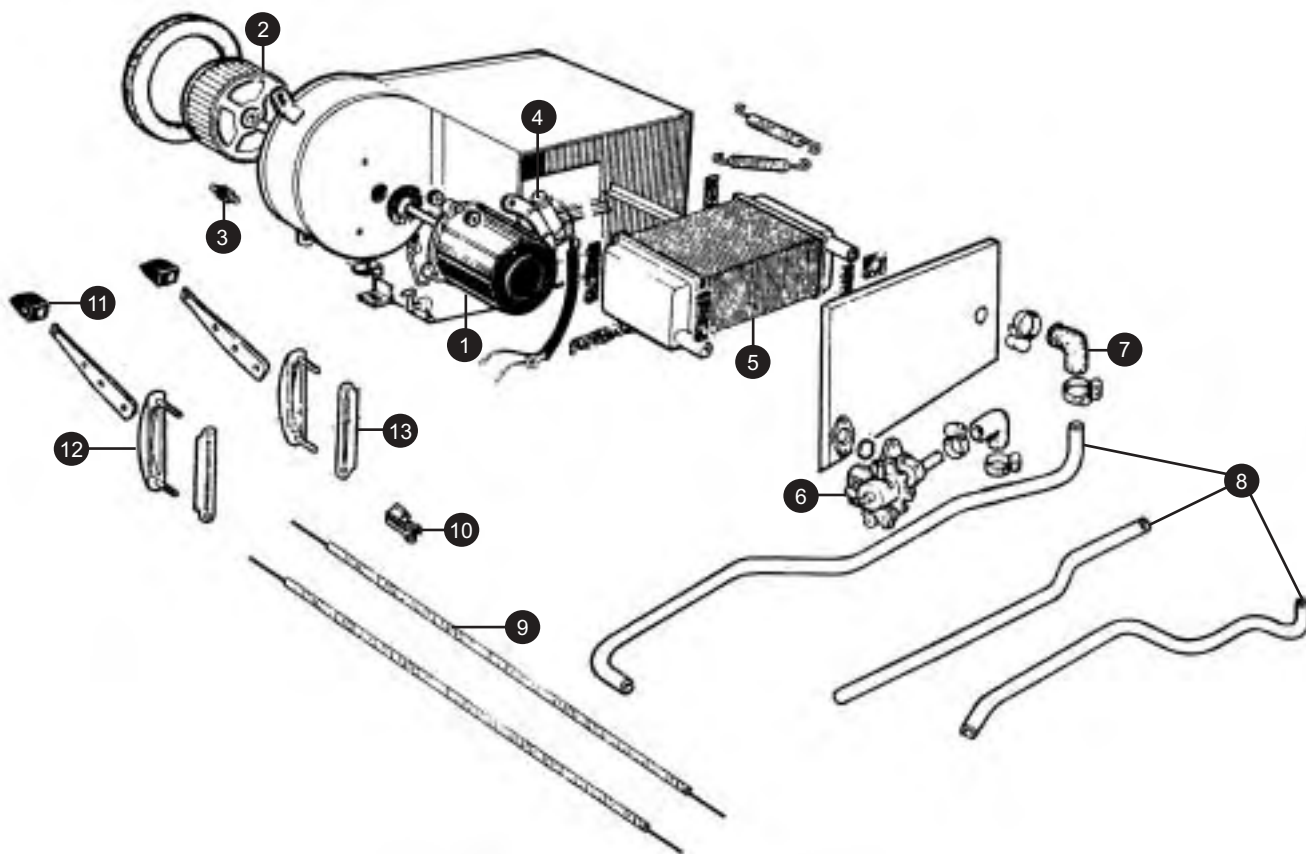


+31 13 52 11 552
verkoop@sngbarratt.com



MK2 & V8 Heating System

Buy on-line at www.sngbarratt.com

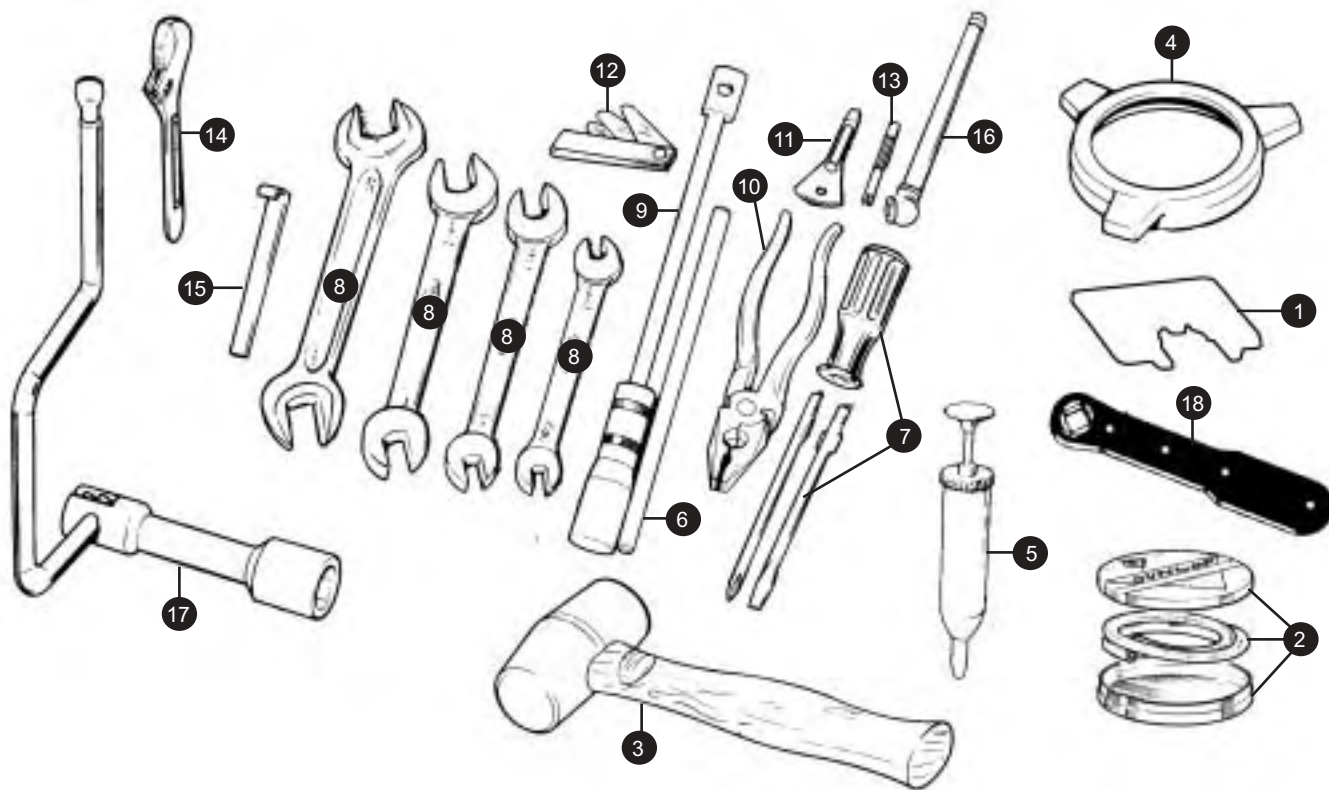


1. Heater fan motor	C15711	1
2. Heater fan	C15591	1
3. Heater mounting	C24792	3
4. Heater fan motor resistor	C33391	1
5. Heater matrix	C15513	1
6. Heater valve	C16559	1
7. Heater valve seal	C9928	1
8. Heater water pipe kit	SBS9226	1
9. Heater control cable	C21373	2
10. Cable attachment clip	C13824	2
12. Heater control lever knob	C15719	2
13. Heater indicator plate		
Hot/Cold	BD11445	1
Car/Screen	C15594	1

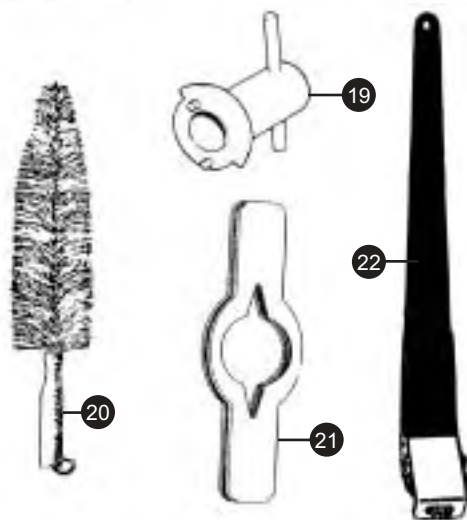
S-Type Heater System

Unfortunately very little is available for the S-Type heater. Occasionally however we purchase batches of old stock that appear from time to time, so please feel free to contact us with your requirements.





1. Cam gauge MK2/S-Type only	C3993	1
2. Dunlop bleeder tube tin	C13620	1
3. Mallet Lead Copper hide "THOR" type	C27290 C992	1 1
4. Spinner removal tool Cars with 3 eared spinners only	C28687	1
5. Grease/oil gun	C13269	1
6. Tommy bar	C2896	1
7. Screwdriver	C20482	1
8. Open ended spanners 3/4" x 7/8" AF 9/16" x 5/8" AF 7/16" x 1/2" AF 11/32" x 3/8" AF	C4594 C4595 C4596 C4638	1 1 1 1
9. Spark plug box spanner	C10155	1
10. Pliers	C996	1
11. Distributor screwdriver	C5444	1
12. Feeler gauge	C5587	1
13. Tyre valve key	C993BRASS	1
14. Adjustable spanner	C4651	1
15. Hub cap removal tool Cars with pressed steel wheels only	C26864	1
16. Tyre pressure gauge	C11753/W	1
17. Wheel nut brace Cars with pressed steel wheels only	BDC9205	1
18. Jacking ratchet	C27873	1



19. Timing chain adjuster tool	SBS1265	1
Adjusting the timing chains on any 6 cylinder Jaguar engine has always been, a tedious job. Now SNG Barratt can now provide you with a "budget priced" alternative to the tool that the garages and restorers use.		
20. Wire wheel cleaning brush	SBS9200	1
21. Wooden spinner saver	SBS9306	1
Used to tighten or remove 2 eared spinners. Fits over the spinner allowing you to hit the saver instead of your spinners!		
22. Extending spinner removal tool	AC1016	1
Allows you to remove two eared spinners using leverage rather than brute force and temper!		
Storage pouch	AC1016P	1



+44 (0) 1746 765432
sales.uk@sngbarratt.com



+1 603 622 1050
sales.usa@sngbarratt.com



+33 3 85 201 420
sngbarratt.france@wanadoo.fr



+31 13 52 11 552
verkoop@sngbarratt.com



Motifs & Decals

Buy on-line at www.sngbarratt.com



MK2/V8/S-Type with fogs C15447
MK2/V8/S-Type without fogs C15449



C19637



Red running-in sticker with instructions on reverse RIS001R

SBS1021



UK tax disc holder BD24427



UK tax disc holder BD21181

JAGUAR CARS LTD. COVENTRY, ENGLAND.									
CAR No. _____		ENGINE No. _____		BODY No. _____		GEAR BOX No. _____		RECOMMENDED LUBRICANTS	
MOBIL	CASTROL	SHLL	RDG	S.P.	ROCKAWAY	VALVOLINE	ELFIN	ELMOR	ELMOR
10W	10W	10W	10W	10W	10W	10W	10W	10W	10W
20W	20W	20W	20W	20W	20W	20W	20W	20W	20W
30W	30W	30W	30W	30W	30W	30W	30W	30W	30W
40W	40W	40W	40W	40W	40W	40W	40W	40W	40W
50W	50W	50W	50W	50W	50W	50W	50W	50W	50W
60W	60W	60W	60W	60W	60W	60W	60W	60W	60W
70W	70W	70W	70W	70W	70W	70W	70W	70W	70W
80W	80W	80W	80W	80W	80W	80W	80W	80W	80W
90W	90W	90W	90W	90W	90W	90W	90W	90W	90W
100W	100W	100W	100W	100W	100W	100W	100W	100W	100W
110W	110W	110W	110W	110W	110W	110W	110W	110W	110W
120W	120W	120W	120W	120W	120W	120W	120W	120W	120W
130W	130W	130W	130W	130W	130W	130W	130W	130W	130W
140W	140W	140W	140W	140W	140W	140W	140W	140W	140W
150W	150W	150W	150W	150W	150W	150W	150W	150W	150W
160W	160W	160W	160W	160W	160W	160W	160W	160W	160W
170W	170W	170W	170W	170W	170W	170W	170W	170W	170W
180W	180W	180W	180W	180W	180W	180W	180W	180W	180W
190W	190W	190W	190W	190W	190W	190W	190W	190W	190W
200W	200W	200W	200W	200W	200W	200W	200W	200W	200W
210W	210W	210W	210W	210W	210W	210W	210W	210W	210W
220W	220W	220W	220W	220W	220W	220W	220W	220W	220W
230W	230W	230W	230W	230W	230W	230W	230W	230W	230W
240W	240W	240W	240W	240W	240W	240W	240W	240W	240W
250W	250W	250W	250W	250W	250W	250W	250W	250W	250W
260W	260W	260W	260W	260W	260W	260W	260W	260W	260W
270W	270W	270W	270W	270W	270W	270W	270W	270W	270W
280W	280W	280W	280W	280W	280W	280W	280W	280W	280W
290W	290W	290W	290W	290W	290W	290W	290W	290W	290W
300W	300W	300W	300W	300W	300W	300W	300W	300W	300W
310W	310W	310W	310W	310W	310W	310W	310W	310W	310W
320W	320W	320W	320W	320W	320W	320W	320W	320W	320W
330W	330W	330W	330W	330W	330W	330W	330W	330W	330W
340W	340W	340W	340W	340W	340W	340W	340W	340W	340W
350W	350W	350W	350W	350W	350W	350W	350W	350W	350W
360W	360W	360W	360W	360W	360W	360W	360W	360W	360W
370W	370W	370W	370W	370W	370W	370W	370W	370W	370W
380W	380W	380W	380W	380W	380W	380W	380W	380W	380W
390W	390W	390W	390W	390W	390W	390W	390W	390W	390W
400W	400W	400W	400W	400W	400W	400W	400W	400W	400W
410W	410W	410W	410W	410W	410W	410W	410W	410W	410W
420W	420W	420W	420W	420W	420W	420W	420W	420W	420W
430W	430W	430W	430W	430W	430W	430W	430W	430W	430W
440W	440W	440W	440W	440W	440W	440W	440W	440W	440W
450W	450W	450W	450W	450W	450W	450W	450W	450W	450W
460W	460W	460W	460W	460W	460W	460W	460W	460W	460W
470W	470W	470W	470W	470W	470W	470W	470W	470W	470W
480W	480W	480W	480W	480W	480W	480W	480W	480W	480W
490W	490W	490W	490W	490W	490W	490W	490W	490W	490W
500W	500W	500W	500W	500W	500W	500W	500W	500W	500W
510W	510W	510W	510W	510W	510W	510W	510W	510W	510W
520W	520W	520W	520W	520W	520W	520W	520W	520W	520W
530W	530W	530W	530W	530W	530W	530W	530W	530W	530W
540W	540W	540W	540W	540W	540W	540W	540W	540W	540W
550W	550W	550W	550W	550W	550W	550W	550W	550W	550W
560W	560W	560W	560W	560W	560W	560W	560W	560W	560W
570W	570W	570W	570W	570W	570W	570W	570W	570W	570W
580W	580W	580W	580W	580W	580W	580W	580W	580W	580W
590W	590W	590W	590W	590W	590W	590W	590W	590W	590W
600W	600W	600W	600W	600W	600W	600W	600W	600W	600W
610W	610W	610W	610W	610W	610W	610W	610W	610W	610W
620W	620W	620W	620W	620W	620W	620W	620W	620W	620W
630W	630W	630W	630W	630W	630W	630W	630W	630W	630W
640W	640W	640W	640W	640W	640W	640W	640W	640W	640W
650W	650W	650W	650W	650W	650W	650W	650W	650W	650W
660W	660W	660W	660W	660W	660W	660W	660W	660W	660W
670W	670W	670W	670W	670W	670W	670W	670W	670W	670W
680W	680W	680W	680W	680W	680W	680W	680W	680W	680W
690W	690W	690W	690W	690W	690W	690W	690W	690W	690W
700W	700W	700W	700W	700W	700W	700W	700W	700W	700W
710W	710W	710W	710W	710W	710W	710W	710W	710W	710W
720W	720W	720W	720W	720W	720W	720W	720W	720W	720W
730W	730W	730W	730W	730W	730W	730W	730W	730W	730W
740W	740W	740W	740W	740W	740W	740W	740W	740W	740W
750W	750W	750W	750W	750W	750W	750W	750W	750W	750W
760W	760W	760W	760W	760W	760W	760W	760W	760W	760W
770W	770W	770W	770W	770W	770W	770W	770W	770W	770W
780W	780W	780W	780W	780W	780W	780W	780W	780W	780W
790W	790W	790W	790W	790W	790W	790W	790W	790W	790W
800W	800W	800W	800W	800W	800W	800W	800W	800W	800W
810W	810W	810W	810W	810W	810W	810W	810W	810W	810W
820W	820W	820W	820W	820W	820W	820W	820W	820W	820W
830W	830W	830W	830W	830W	830W	830W	830W	830W	830W
840W	840W	840W	840W	840W	840W	840W	840W	840W	840W
850W	850W	850W	850W	850W	850W	850W	850W	850W	850W
860W	860W	860W	860W	860W	860W	860W	860W	860W	860W
870W	870W	870W	870W	870W	870W	870W	870W	870W	870W
880W	880W	880W	880W	880W	880W	880W	880W	880W	880W
890W	890W	890W	890W	890W	890W	890W	890W	890W	890W
900W	900W	900W	900W	900W	900W	900W	900W	900W	900W
910W	910W	910W	910W	910W	910W	910W	910W	910W	910W
920W	920W	920W	920W	920W	920W	920W	920W	920W	920W
930W	930W	930W	930W	930W	930W	930W	930W	930W	930W
940W	940W	940W	940W	940W	940W	940W	940W	940W	940W
950W	950W	950W	950W	950W	950W	950W	950W	950W	950W
960W	960W	960W	960W	960W	960W	960W	960W	960W	960W
970W	970W	970W	970W	970W	970W	970W	970W	970W	970W
980W	980W	980W	980W	980W	980W	980W	980W	980W	980W
990W	990W	990W	990W	990W	990W	990W	990W	990W	990W
1000W	1000W	1000W	1000W	1000W	1000W	1000W	1000W	1000W	1000W

MK2 CP365

Daimler V8 CP337

S-Type ID0084



ID0007



ID0006 to 1964 ID0089 1965-1971



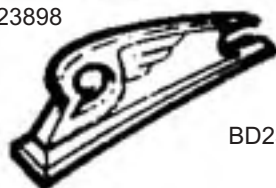
DCL1004



C23898



ID0042



BD23927



Motifs & Decals

Buy on-line at www.sngbarratt.com

BD17737



2.4 BD11497ORIG



3.4 BD12448



3.8 BD17736



Hub cap C3367



BD26762



BD27195



BD27196



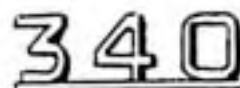
BD26763



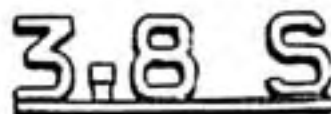
BD32703



BD26764



BD31034



BD26765



BD27194



BD24520



BD32126



BD26763



BD24521



+44 (0) 1746 765432
sales.uk@sngbarratt.com



+1 603 622 1050
sales.usa@sngbarratt.com



+33 3 85 201 420
sngbarratt.france@wanadoo.fr



+31 13 52 11 552
verkoop@sngbarratt.com



Interior Trim

Buy on-line at www.sngbarratt.com



Jaguar MK2

JMK2/FSC1	Front Seat Covers 7 pleats pair
JMK2/FSC2	Front Seat Covers 8 pleats pair
JMK2/RSC	Rear Seat Covers
JMK2/DRP	Door Panels (inc armrest + pockets) set of 4
JMK2/CA1	Carpet Set
JMK2/HL1	Headlining Kit - Grey
JMK2/HL2	Headlining Kit - Beige
JMK2/HL3	Headlining Kit - Green
JMK2/AP	A Post Trims pair
JMK2/BP	B Post Trims pair
JMK2/CP	C Post Trims pair
JMK2/DP	D Post Trims, leather pair
JMK2/RPS	Rear Parcel Shelf
JMK2/SP1	Soundproofing Kit (underfelt)
JMK2/UP	Underdash Trim for passenger side only
JMK2/CC	Centre Console Kit
JMK2/RC	Radio Console Kit
JMK2/FF	Furflex Kit
JMK2/BM1	Boot Mat (as original in black)
JMK2/V	0.5 mtr Vinyl x 54 inches wide
JMK2/RSCV	Rear Seat Vinyl (30cms x 200cms)
JMK2/PFIX	Panel Fixing Kit - 80 pcs
JMK2/CAFIX	Carpet Fixing Kit - 20 pcs
JMK2/FTK	Full trim kit

OPTIONAL ITEMS

JMK2/FSF1	Front Seat Base Foams pair
JMK2/FSF2	Front Seat Backrest Foams pair
JMK2/RFS1	Rear Seat Base Foam
JMK2/RSF2	Rear Seat Backrest Foam
JMK2/BSP1	Boot Side Trims (as orig in dark grey) pair
JMK2/BSP2	Boot Side Trims (other colours) pair
BD18039	Boot Mat (adding suffix for colour from black-BK, blue-BL, grey-GY, red-RED.)
BD11605	Furflex trim - add suffix for colour from beige-BEI, blue-BLE, black-BLK, burgundy-BUR, green-GRN, grey-GRY, red-RED, tan- TAN each part number is enough for one car.
BD11605TACK	Wooden tacking strip for furflex per metre
JMK2/SV1	Sunvisors without Chromes, fully trimmed pair
JMK2/SV2	Sunvisor Foams only pair
JMK2/GB	Glove Box Inner
JMK2/GLG	Gear Lever Gaitor, in leather
JMK2/FFT	Furflex Tacking Strip (req approx 9m)
JMK2/BUFF	Door Buffers (stoppers) set
JMK2/AR1	Front Armrests Fully Trimmed pair
JMK2/AR2	Front Armrest Covers only each
JMK2/FSCV	Front Seat Covers in Vinyl pair
JMK2/RSCV	Rear Seat Cover in Vinyl
JMK2/CA2	Front Footwell Carpets pair
JMK2/CA3	Rear Footwell Carpets pair
JMK2/SP2	Soundproofing Mats, Front only pair

Jaguar S-Type

JSTYPE/FSC1	Front Seat Covers - perforated pair
JSTYP/FSC2	Front Seat Covers - plain pair
JSTYPE/RSC1	Rear Seat Cover - perforated
JSTYPE/RSC2	Rear Seat Covers - plain
JSTYPE/DRP	Door Panel - Set including rear armrests
JSTYPE/CA1	Carpet Set - Wool
JSTYPE/HL1	Headlining Kit - Grey Wool Cloth
JSTYPE/HL2	Headlining Kit - Grey Nylon Cloth
JSTYPE/HL3	Headlining Kit - Beige Wool Cloth
JSTYPE/HL4	Headlining Kit - Beige Nylon Cloth
JSTYPE/AP	A Post Panels pair
JSTYPE/BP	B Post Panels pair
JSTYPE/CP	C Post Panels pair
JSTYPE/DP	D Post Panels pair
JSTYPE/RPS	Rear Parcel Shelf
JSTYPE/SP	Soundproofing Kit
JSTYPE/SVC	Carpet for Underdash Shelf
JSTYPE/CC	Centre Console Kit
JSTYPE/FF	Furflex Kit
JSTYPE/BM1	Boot Mat - as original Black
JSTYPE/V	0.5 mtr Vinyl
JSTYPE/RSV	Rear Seat Vinyl
JSTYPE/PFIX	Panel Fixing Kit
JSTYPE/CAFIX	Carpet Fixing Kit

JSTYPE/FTK1	Full Trim Kit - with Wool Headlining Kit
JSTYPE/FTK2	Full Trim Kit - with Nylon Headlining Kit

OPTIONAL ITEMS

JSTYPE/FSF1	Front Seat Base Foams pair
JSTYPE/FSF2	Front Seat Backrest Foams pair
JSTYPE/BSP1	Boot Side Panels - as original Black pair
JSTYPE/BSP2	Boot Side Panels - as per interior trim colour pair
BD26466	Boot Mat (adding suffix for colour from black-BK, grey-GY.)
BD11605	Furflex trim - add suffix for colour from beige-BEI, blue-BLE, black-BLK, burgundy-BUR, green-GRN, grey-GRY, red-RED, tan- TAN each part number is enough for one car.
BD11605TACK	Wooden tacking strip for furflex per metre
JSTYPE/SV1	Sunvisors - Trimmed in Grey pair
JSTYPE/SV2	Sunvisors - Trimmed in Beige pair
JSTYPE/SVC	Sunvisor Chromes pair
JSTYPE/GLG	Gear Lever Gaitor
JSTYPE/CA2	Front Footwell Mats - Wool pair
JSTYPE/CA3	Rear Footwell Mats - Wool pair
JSTYPE/SP2	Front Footwell Underfelts pair



Daimler V8

JDAV8/FSC1	Front Seat Covers (16 pleats - perforated) pair
JDAV8/FSC2	Front Seat Covers (16 pleats - plain) pair
JDAV8/RSC1	Rear Seat Covers (16 pleats - perforated) set
JDAV8/RSC3	Rear Seat Covers (16 pleats - plain) set
JDAV8/FSC4	Front Seat Cover (9 pleats - plain) pair
JDAV8/RSC4	Rear Seat Cover (9 pleats - plain) set
JDAV8/DRP	Door Panels (with armrests and pockets) set
JDAV8/CA1	Carpet Set - Wool
JDAV8/HL1	Headlining Kit Grey
JDAV8/HL2	Headlining Kit Beige
JDAV8/HL3	Headlining Kit Green
JDAV8/AP	A Post Trims pair
JDAV8/BP	B Post Trims pair
JDAV8/CP	C Post Trims pair
JDAV8/DP	D Post Trims (Leather) pair
JDAV8/RPS	Rear Parcel Shelf
JDAV8/SP	Soundproofing Kit (underfelt)
JDAV8/UP	Underdash Panel on Passenger Side
JDAV8/RC	Radio Console Kit (Leather)
JDAV8/FF	Furflex Kit (draught excluder)
JDAV8/BM1	Boot Mat (original Black)
JDAV8/V	0.5 Mtr Vinyl
JDAV8/RSC	Rear Seat Vinyl (30 x 200cm)
JDAV8/PFIX	Panel fixing Kit (80pcs)
JDAV8/CFIX	Carpet Fixing Kit (20pcs)
JDAV8/FTK	Full trim kit (16 Pleats)
JDAV8/FTK2	Full trim kit (9 Pleats)

OPTIONAL ITEMS

BD18039	Boot Mat (adding suffix for colour from black-BK, blue-BL, grey-GY, red-RED.)
BD11605	Furflex trim - add suffix for colour from beige-BEI, blue-BLE, black-BLK, burgundy-BUR, green-GRN, grey-GRY, red-RED, tan-TAN each part number is enough for one car.
BD11605TACK	Wooden tacking strip for furflex per metre
JDAV8/FSF	Front Seat Base Foams pair
JDAV8/BSP1	Boot Side Panels (original Dark Grey) pair
JDAV8/BSP2	Boot Side Trims (as per interior colour) pair
JDAV8/SV2	Sunvisors Untrimmed pair
JDAV8/SV1	Sunvisors Trimmed (without Chromes) pair
JDAV8/GB	Dashboard Glovebox
JDAV8/CA2	Front Footwell Carpets - Wool pair
JDAV8/FFT	Furflex Tacking Strip (req. approx. 9metres)
JDAV8/HDRP	Untrimmed Door Panel Boards each

Seatbelts



Lap belts- a period style belt with chrome lift buckle and chrome leaping cat motif suitable for the front and rear.

Black	BF2004/1
Grey	BF2004/2
Red	BF2004/3
Tan	BF2004/11

Eyebolt mounting kit for one lap belt BF2005

3 point fixing belts- a period style belt with chrome lift buckle and chrome leaping cat motif suitable for the front only. The mounting point on the B post must be created in order to fit them and all the necessary fittings and fixings are included.

Black	BF2012/1
Grey	BF2012/2
Red	BF2012/3
Tan	BF2012/11



Securon belts are made in the UK and can be used to replace existing seatbelts or to provide safety restraint in cars with no original fitment.

Static front	SB300/30	2
Static rear	SB200	2
Rear centre lap	SB210	1
Inertia front	SB514/30	2
Inertia rear	SB514/30	2
Centre lap	SB210	1



The Definitive Mk II Parts Catalogue



Including S-Type & V8 Daimler

SNG Barratt UK Ltd,
Bridgnorth, WV15 6AP
TEL: +44 (0)1746 765 432
FAX: +44 (0)1746 761 144
E-Mail sales.uk@sngbarratt.com

SNG Barratt USA,
Manchester, NH 03104 USA
TEL: +1 603 622 1050
FAX: +1 603 622 0849
E-Mail sales.usa@sngbarratt.com

SNG Barratt France,
71850 Charnay les Macon, France
TEL: +33 (0) 3 85 20 14 20
FAX: +33 (0) 3 85 29 01 47
E-Mail sales.fr@sngbarratt.com

SNG Barratt BV
Oisterwijk, Holland. 506 1JX
TEL: +31 (0) 13 521 1552
FAX: +31 (0) 13 521 1550
E-Mail sales.nl@sngbarratt.com

Website www.sngbarratt.com