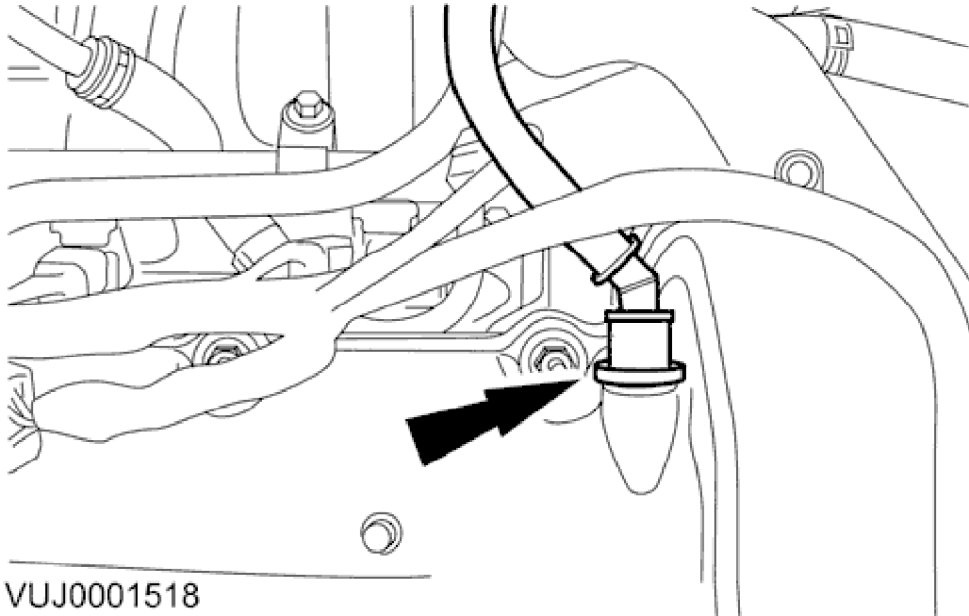


Valve Cover RH 12.29.44

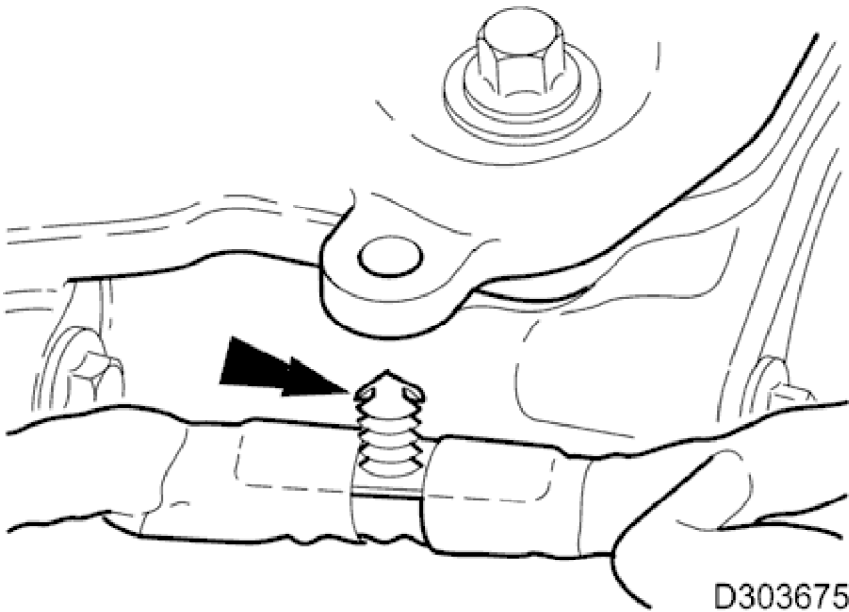
Removal

- 1. Remove the throttle body. For additional information, refer to<<303-04A>><<303-04B>>



VUJ0001518

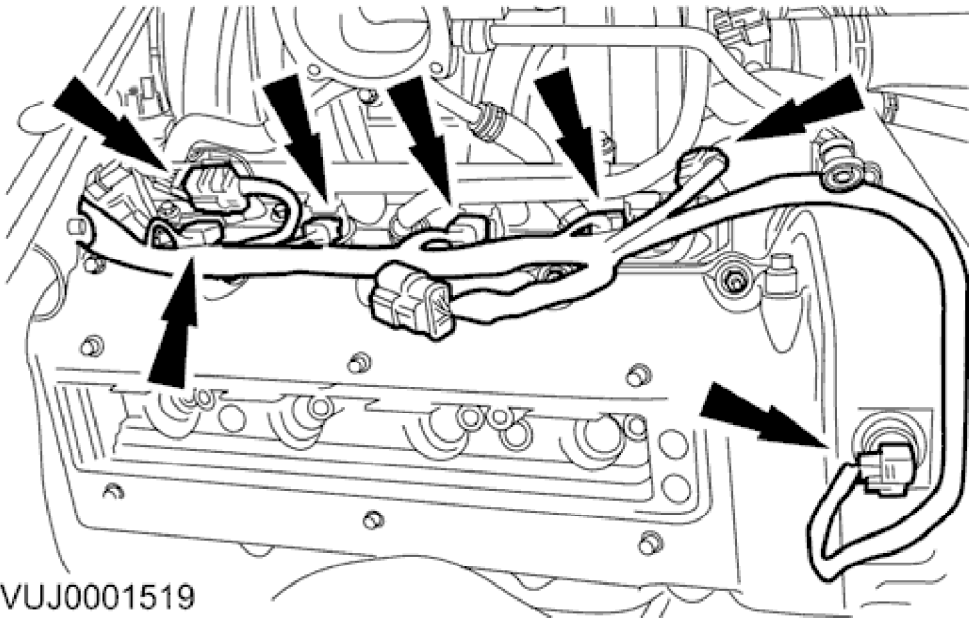
- 2. Disconnect the crankcase ventilation hose.



D303675

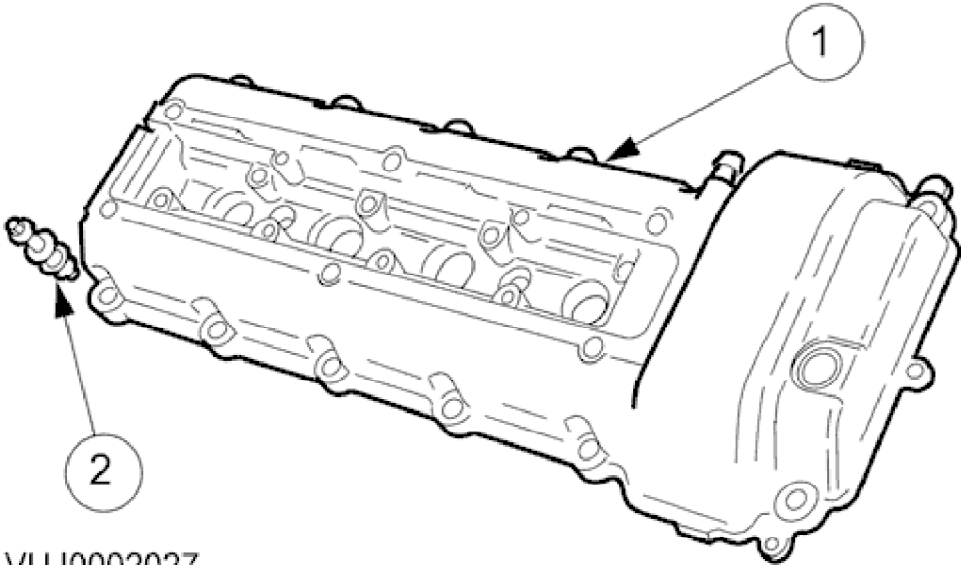
- 3. Detach the wiring harness from the valve cover.

2001 S-TYPE - Engine - 4.0L - 303-01B



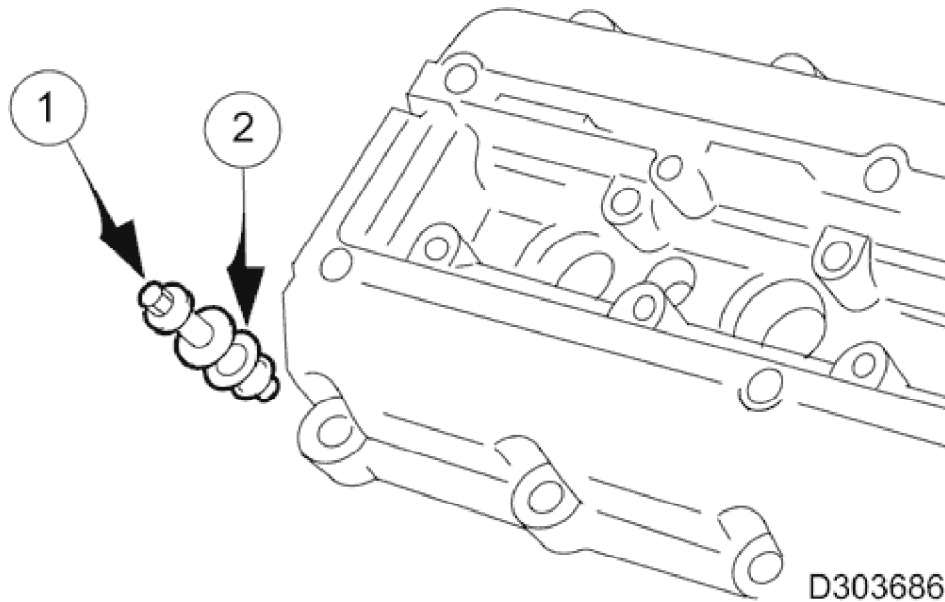
VUJ0001519


4. Detach the engine harness.



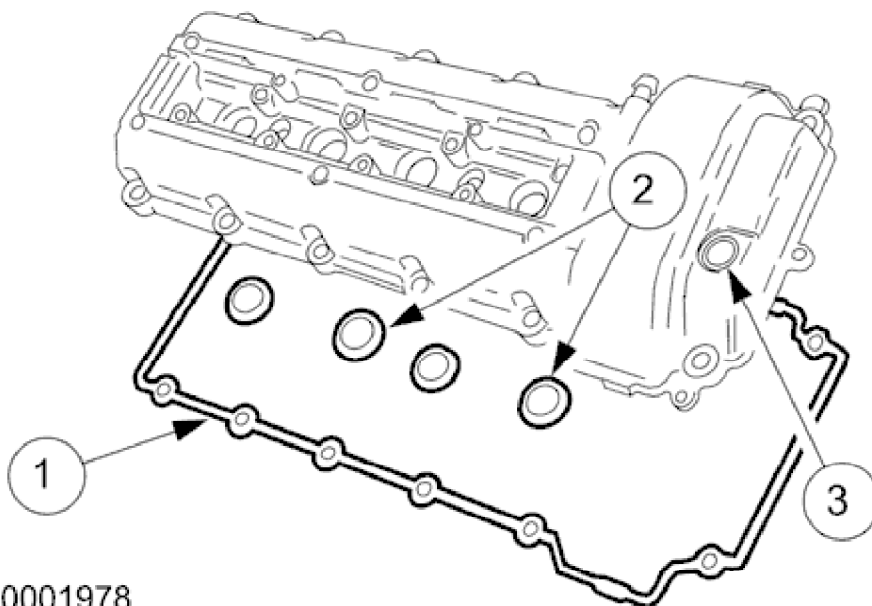
VUJ0002027

- 5. Remove the valve cover assembly.
 - 1. Release the fourteen valve cover retaining screws. The screws remain in place, held in by the seals.
 - 2. Remove the valve cover, screws and seals as an assembly.



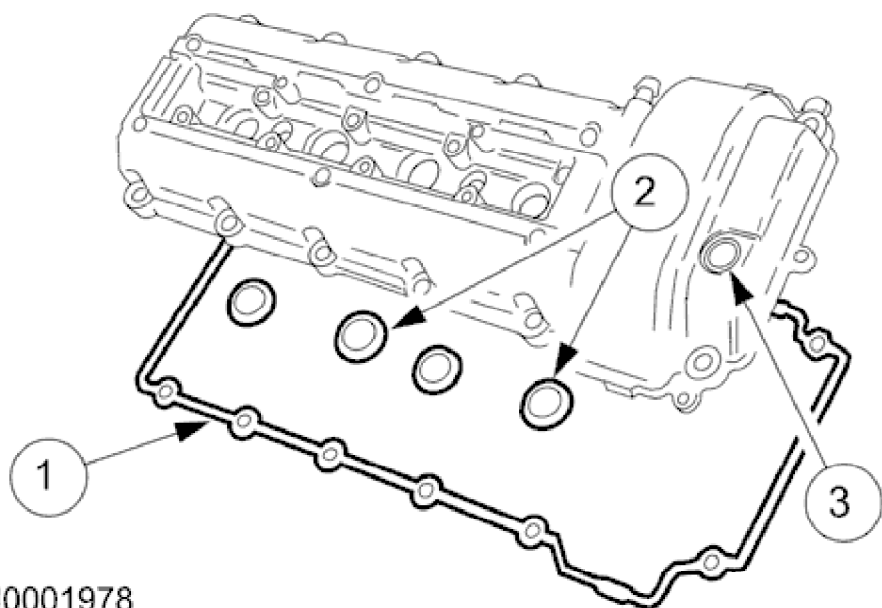
6.  **CAUTION:**
Make a note of the different types of fixings and their positions in the valve cover.

Separate the screws and seals from the valve cover.
1. Remove the retaining screws from the valve cover.
2. Remove the rubber sealing ring from each screw.



7. Remove the main seals from the valve cover.
1. Remove and discard the outer seal.
2. Remove and discard the two seals from around the spark plug apertures.
3. Remove the seal for the VVT solenoid.

Installation



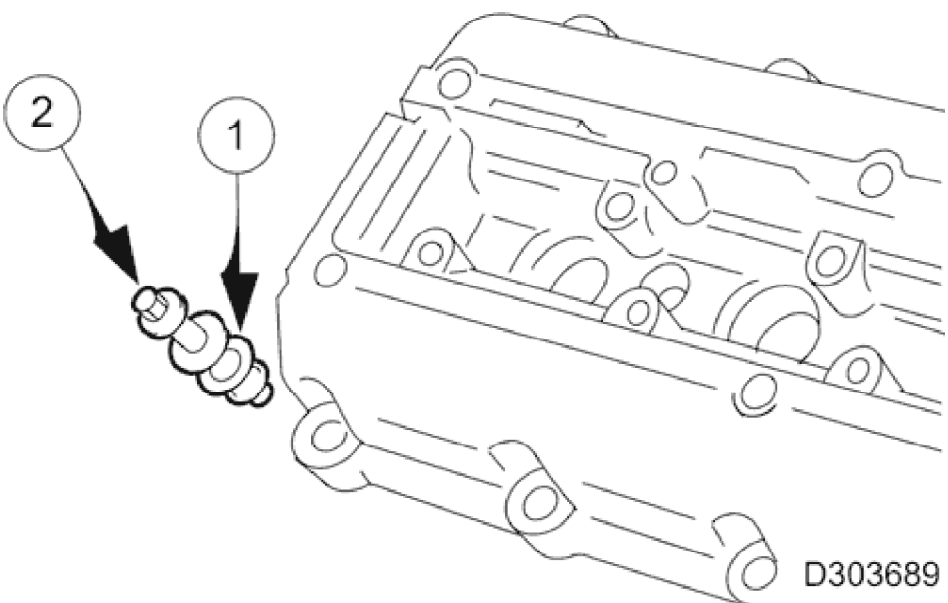
VUJ0001978

1. **NOTE:**

Make sure all components are clean.

Install the new main seals to the valve cover.

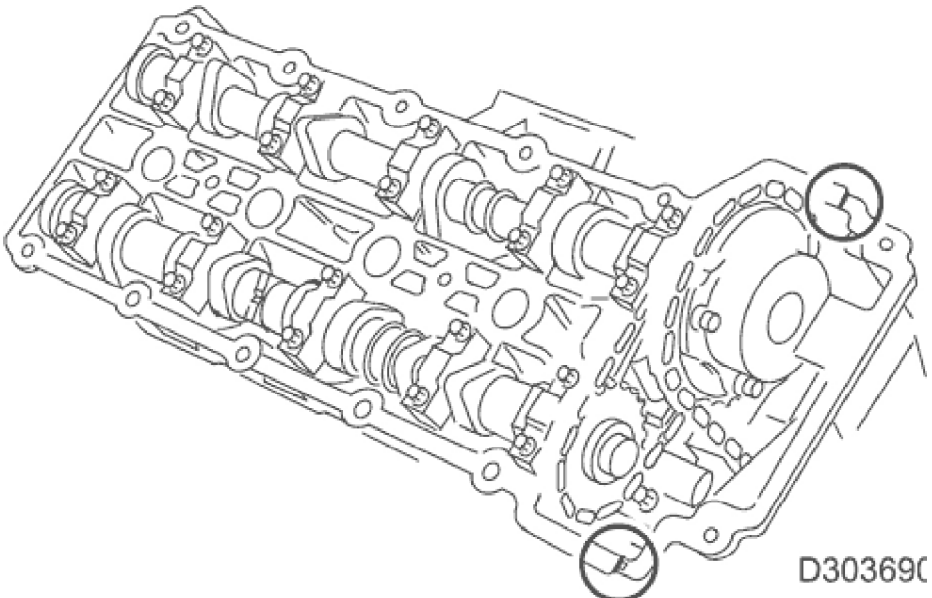
- 1. Install the new outer seal.
- 2. Install the two new spark plug aperture seals.
- 3. Install the seal for the VVT solenoid.



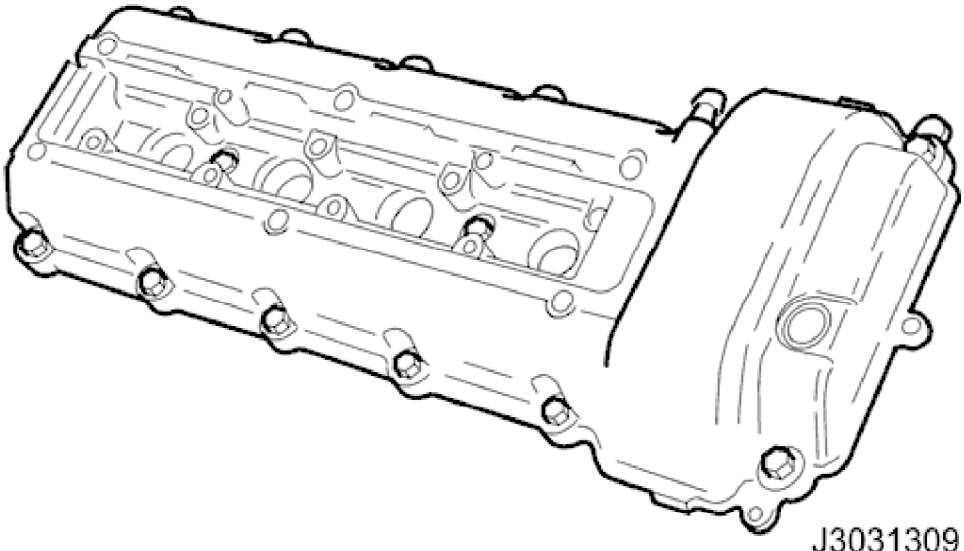
2. Install the securing screws to the valve covers in the correct positions.

- 1. Install a new sealing ring to each screw assembly.
- 2. Install the screws to the valve cover in the correct positions.

2001 S-TYPE - Engine - 4.0L - 303-01B

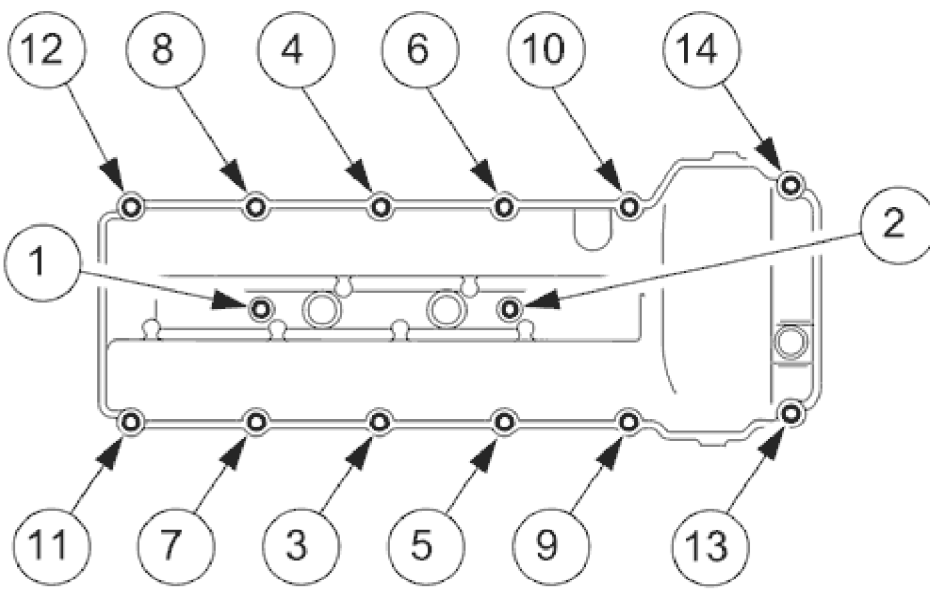


- 3. Apply RTV sealant WSS-M4G320-A3 to two places on the joint between the front of the valve cover and the cylinder head.
 - 1. The application of sealant must be 3mm diameter by 12mm long. Install the valve cover immediately after applying the sealant.
 - 2. The cover should be fitted directly to the head without smearing the sealant or the seals.



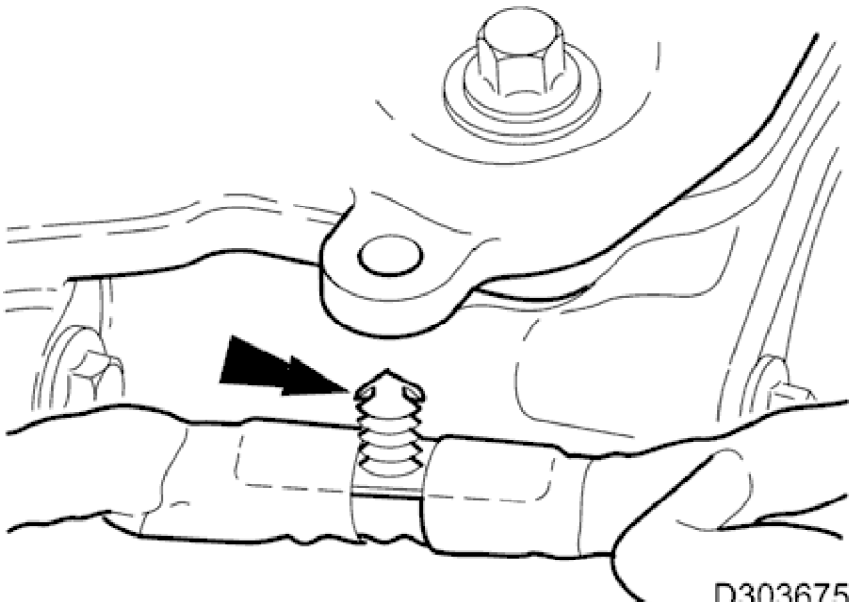
- 4. Install the valve cover.

2001 S-TYPE - Engine - 4.0L - 303-01B



VUJ0001979

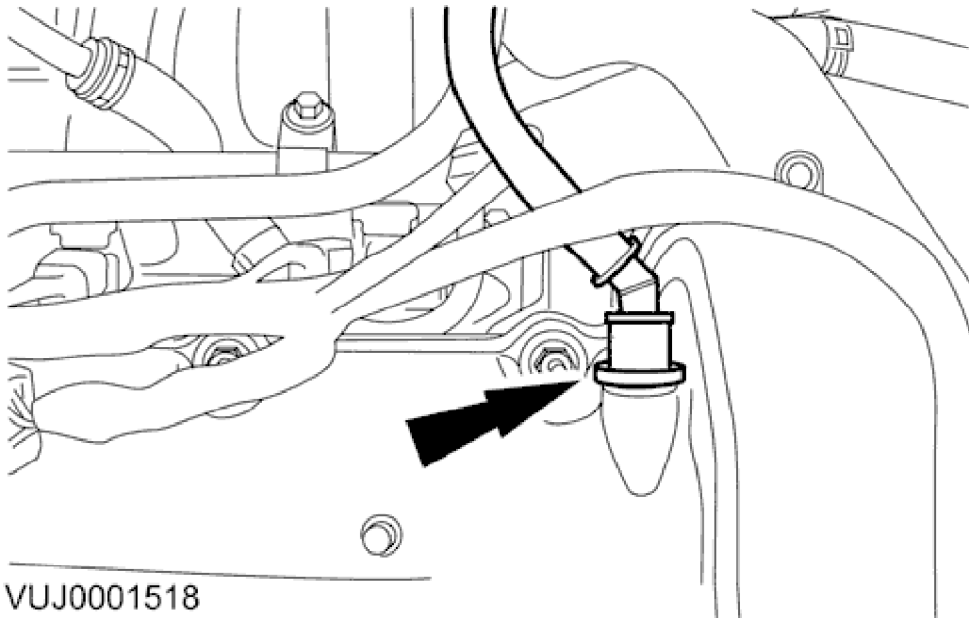
5. Tighten the valve cover screws.



D303675

6. Attach the wiring harness to the valve cover.

2001 S-TYPE - Engine - 4.0L - 303-01B



VUJ0001518

7. Reconnect the crankcase ventilation hose.

8. Install the throttle body. For additional information, refer to<<303-04A>><<303-04B>>