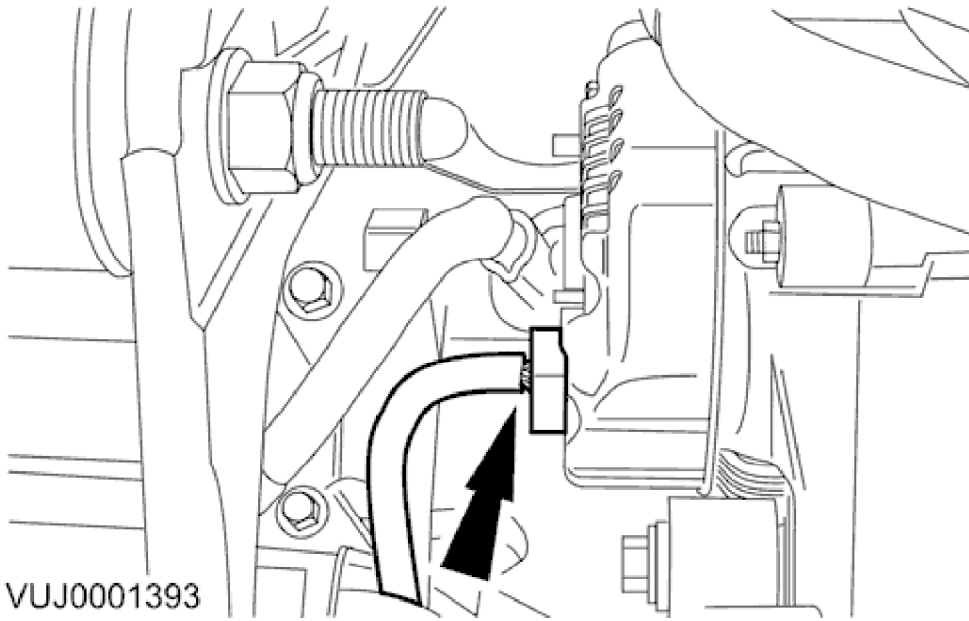


# 2001 S-TYPE - Generator and Regulator - 414-02

## Generator 4.0L 86.10.02

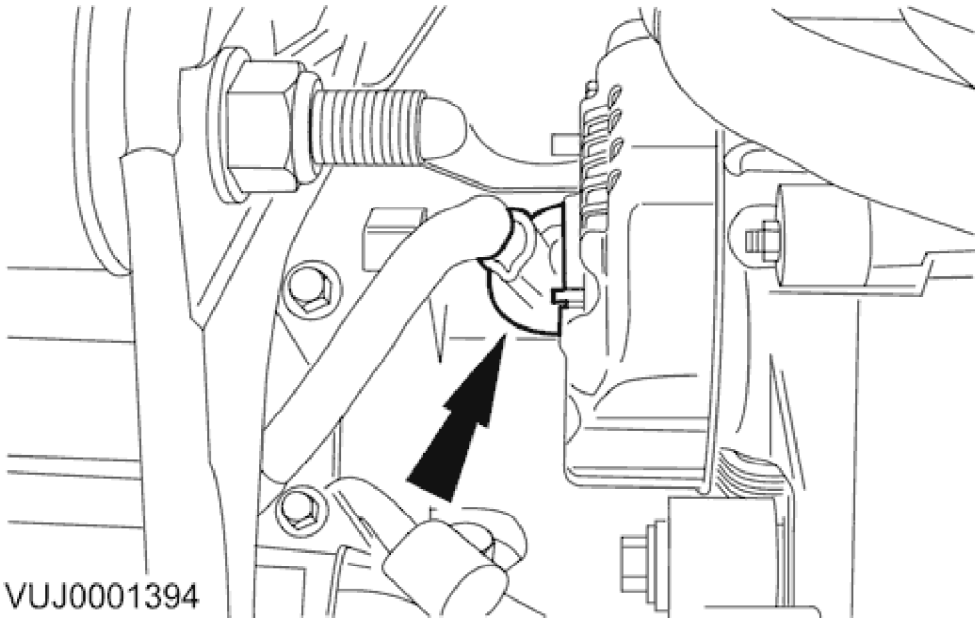
### Removal

1. Disconnect the battery ground cable.
2. Remove the accessory drive belt. For additional information, refer to <<303-05>>
3. Remove the cooling duct.



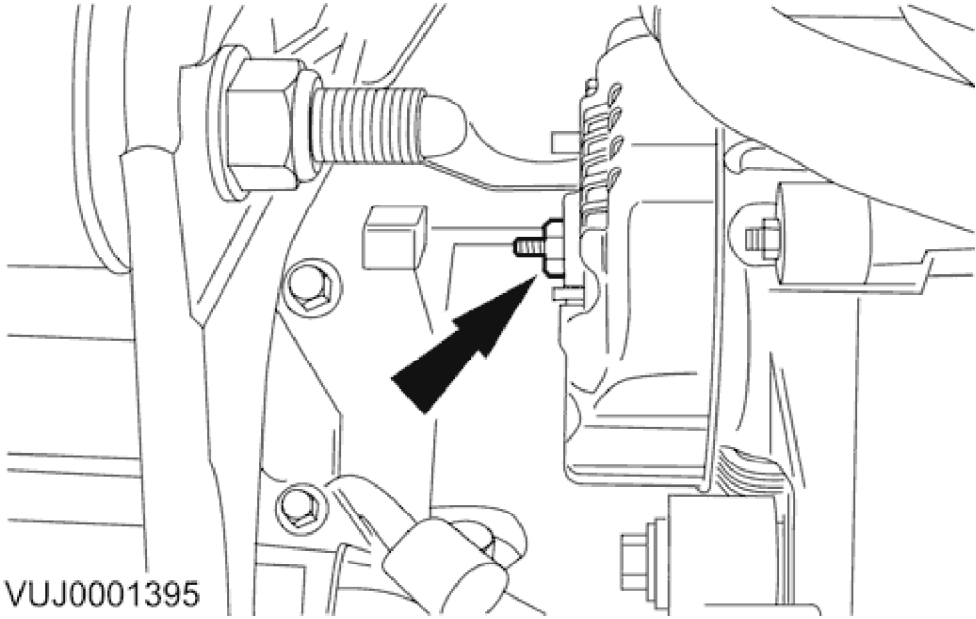
4. Disconnect the generator electrical connector.

**2001 S-TYPE - Generator and Regulator - 414-02**



VUJ0001394

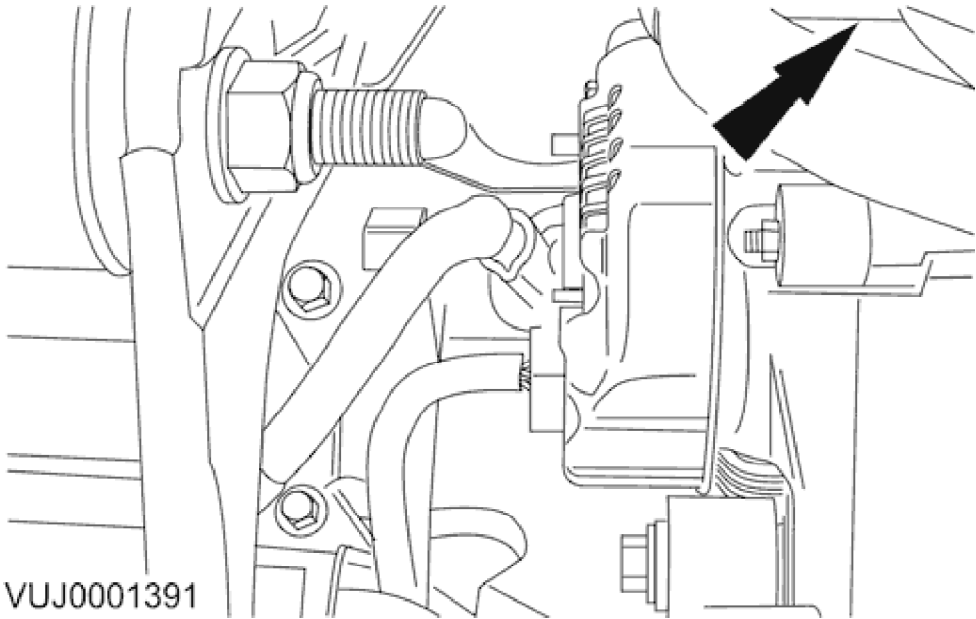
5. Detach the generator battery positive cable protective cover.



VUJ0001395

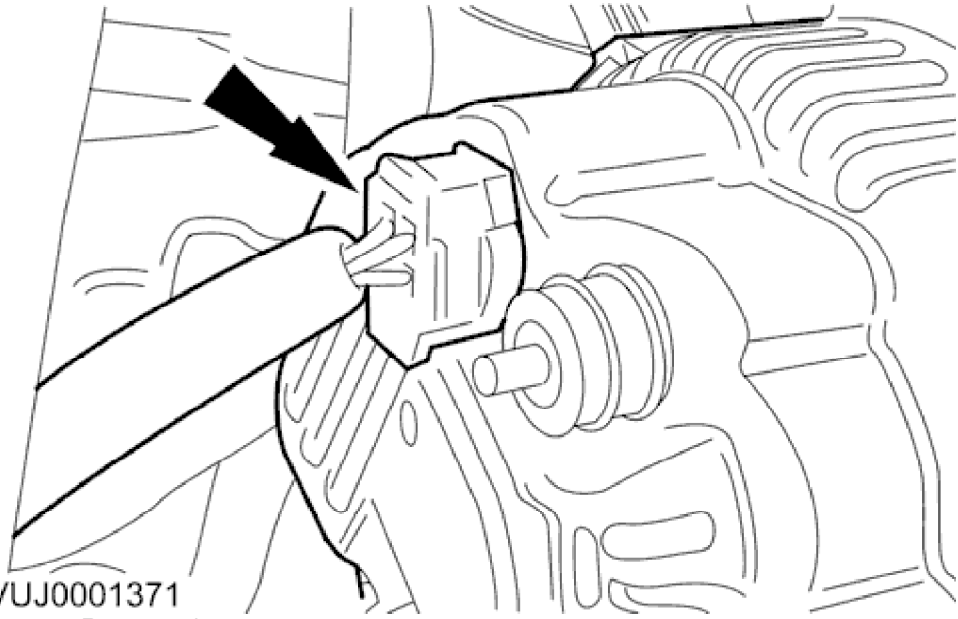
6. Detach the battery positive cable nut.

**2001 S-TYPE - Generator and Regulator - 414-02**



VUJ0001391

7. Remove the upper generator bolt.

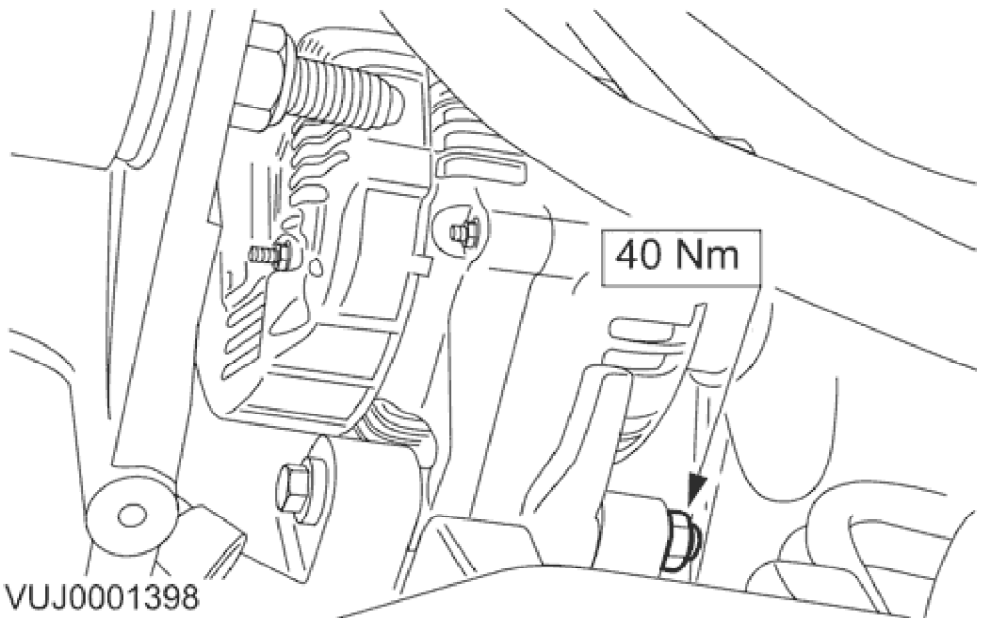


VUJ0001371

8. Remove the generator.

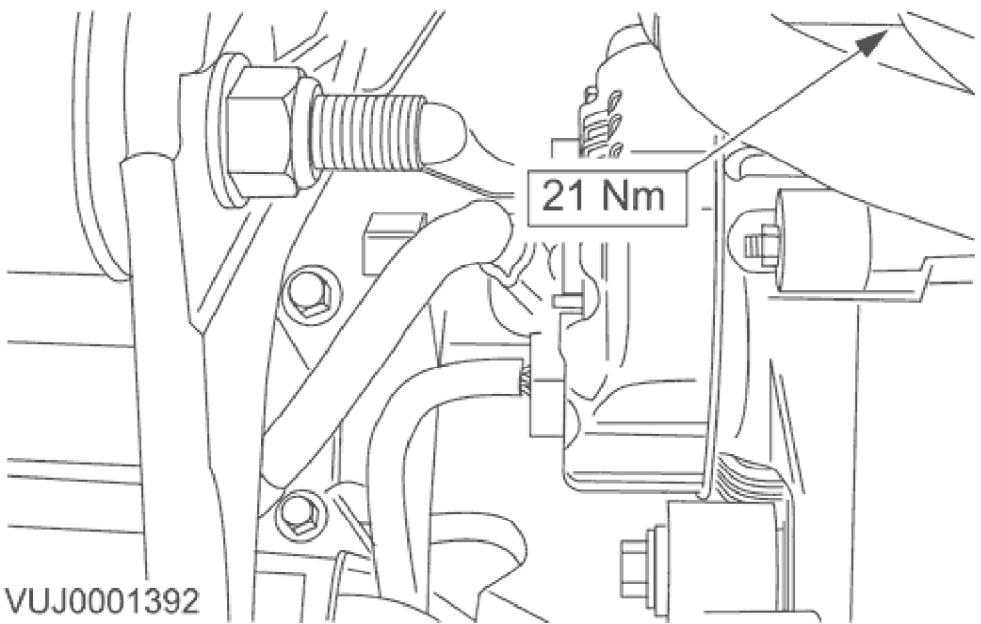
**Installation**

2001 S-TYPE - Generator and Regulator - 414-02



VUJ0001398

1. To install, reverse the removal procedure.



VUJ0001392