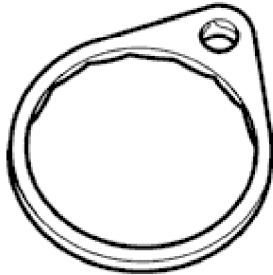


Oil Cooler 12.60.68

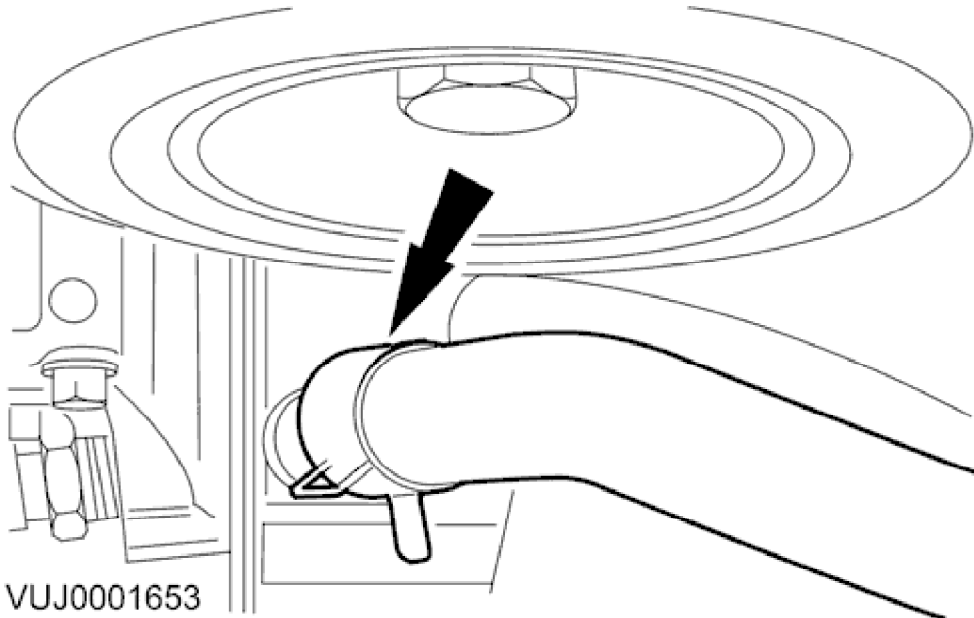
Special Service tools



303-752
Installer/remover, Oil Filter
303-752

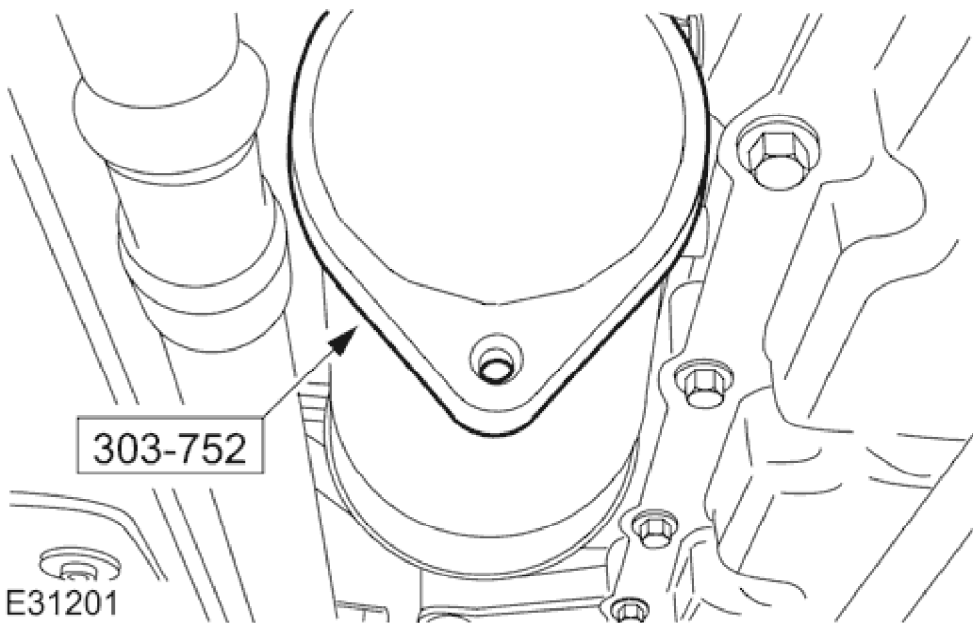
Removal

1. Drain the cooling system. <<303-03>>



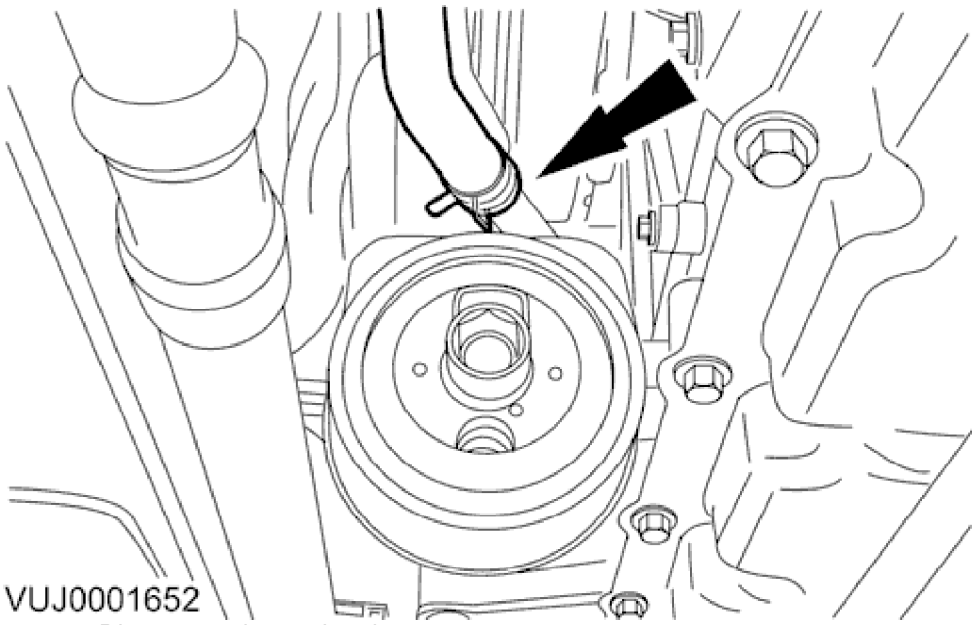
2. Disconnect the coolant hose.
3. Raise and support the vehicle. <<100-02>>

2001 S-TYPE - Engine - 4.0L - 303-01B

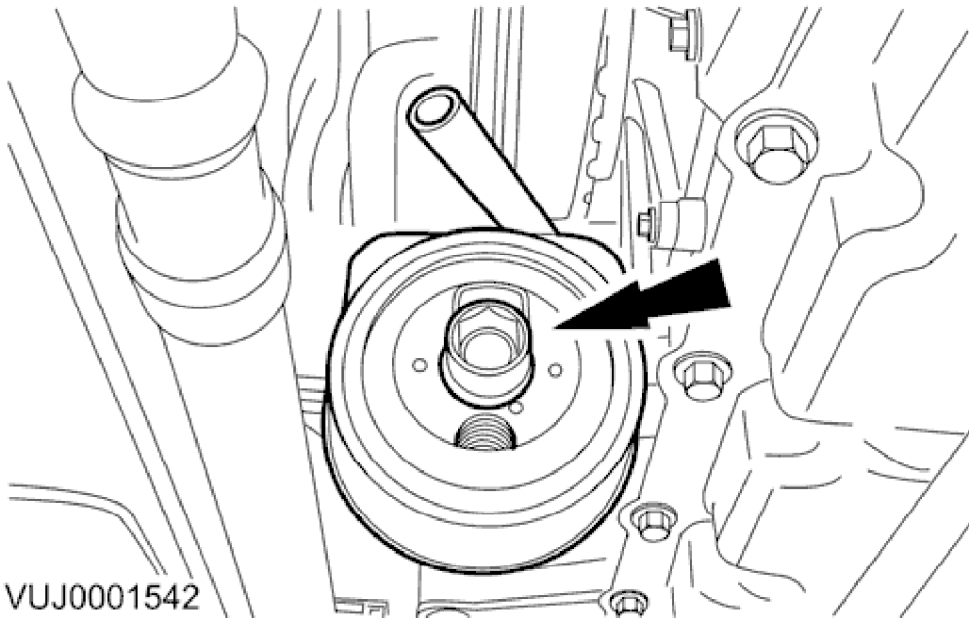


4. NOTE:
Place a suitable container underneath filter to prevent oil spillage.

Using the special tool, remove and discard the engine oil filter.



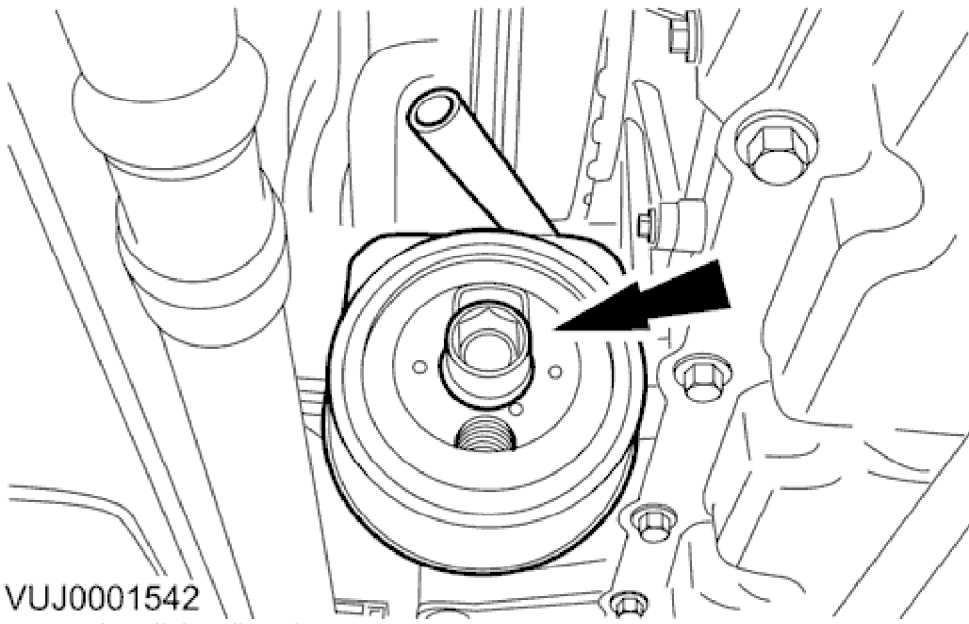
5. Disconnect the coolant hose.



VUJ0001542

6. Remove the oil cooler.

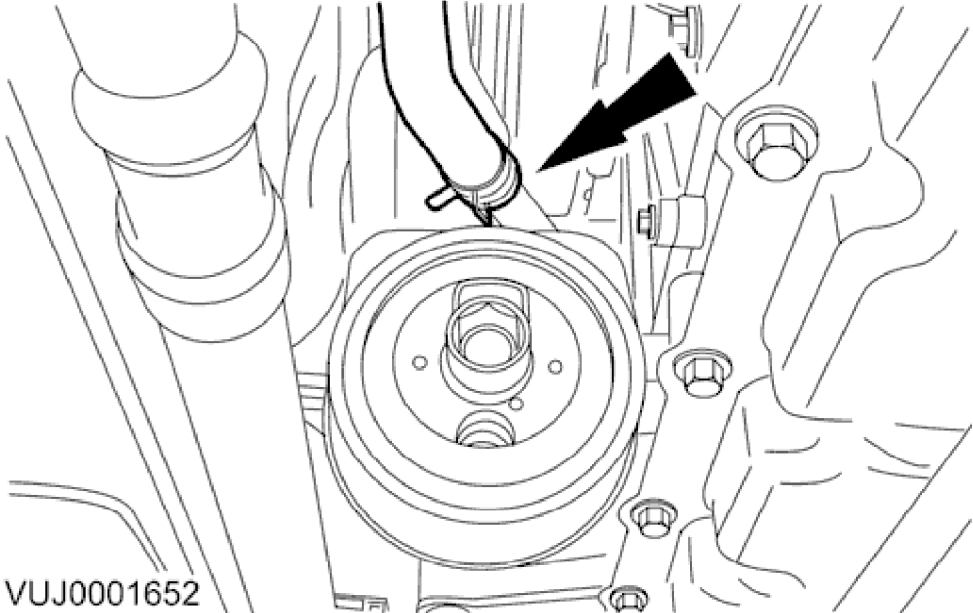
Installation



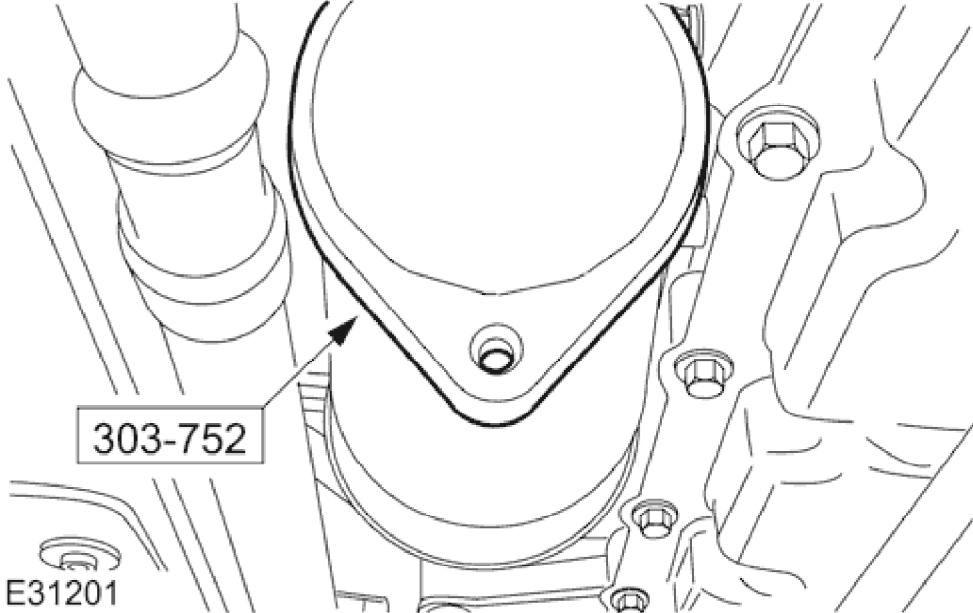
VUJ0001542

- 1. Install the oil cooler.
 - Install a new O-ring seal.
 - Tighten to 58 Nm.

2001 S-TYPE - Engine - 4.0L - 303-01B



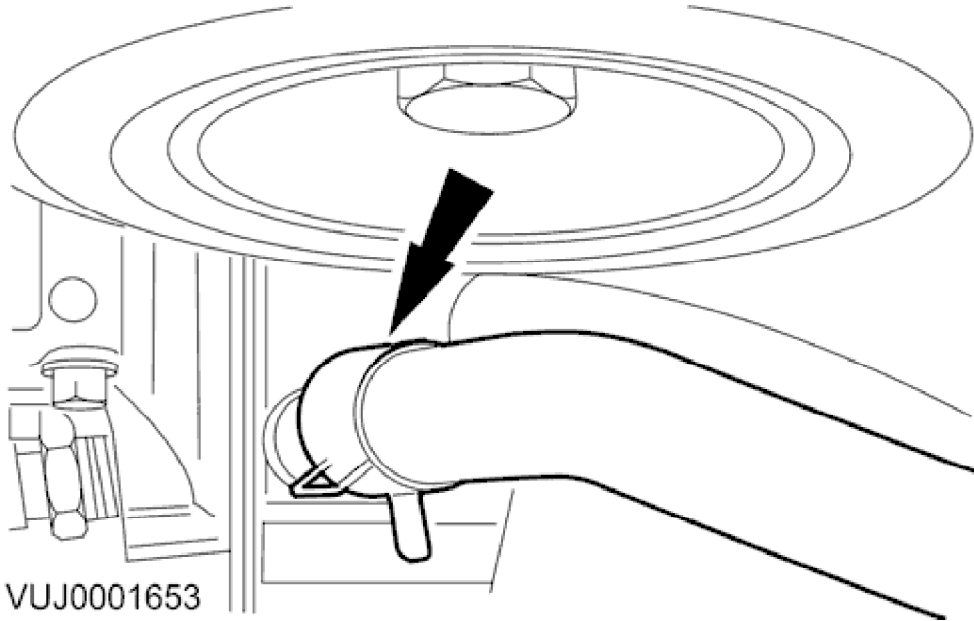
2. Connect the coolant hose.



3. **NOTE:**
Apply a suitable amount of clean engine oil to lubricate the oil filter O-ring seal.

Using the special tool, install a new oil filter.
• Tighten to 18 Nm.

4. Lower the vehicle.



VUJ0001653

5. Connect the coolant hose.

6. Check the engine oil level and correct as necessary.

7. Carry out cooling system filling and bleeding procedure.<<303-03A>>