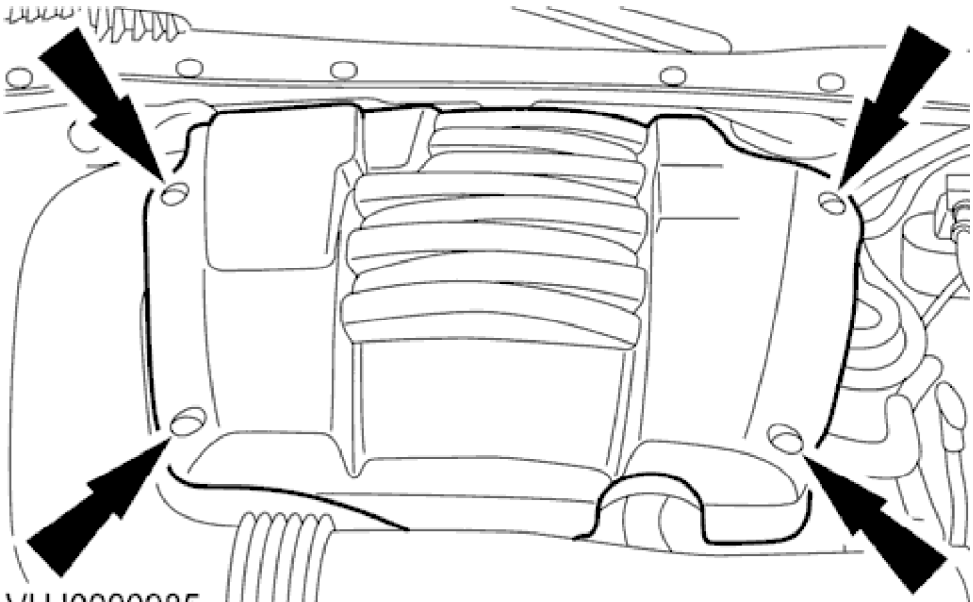


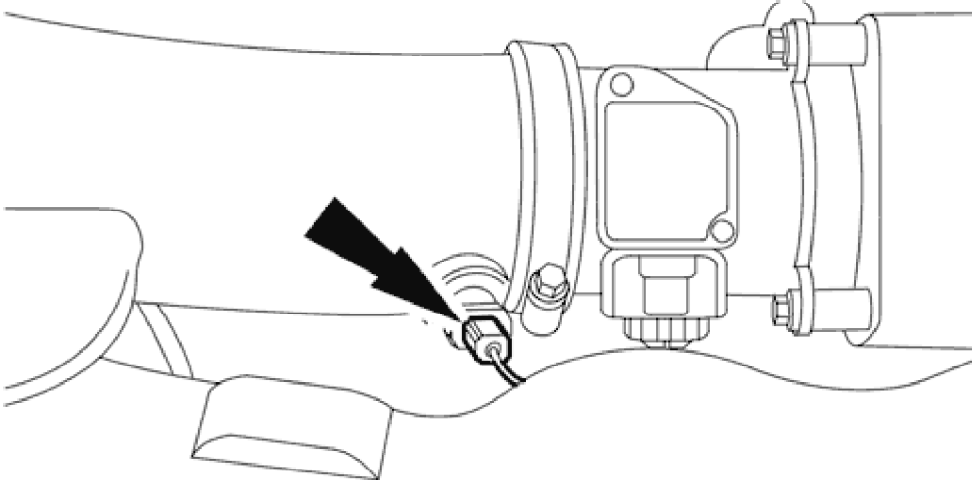
Air Cleaner Outlet Pipe 19.10.31

Removal



VUJ0000985

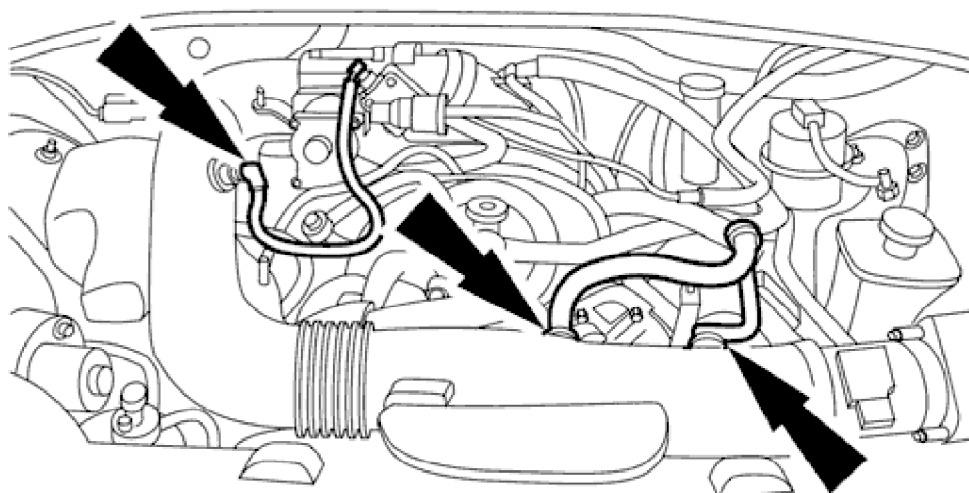
1. Remove the engine cover.



VUJ0001121

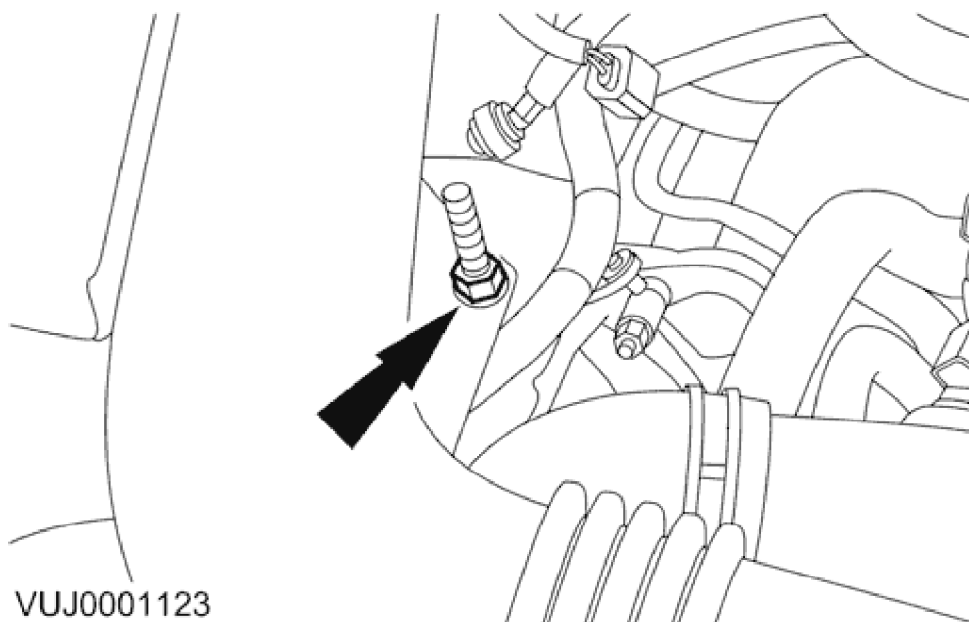
2. Disconnect the intake air temperature sensor electrical connector.

2001 S-TYPE - Intake Air Distribution and Filtering - 4.0L - 303-12B



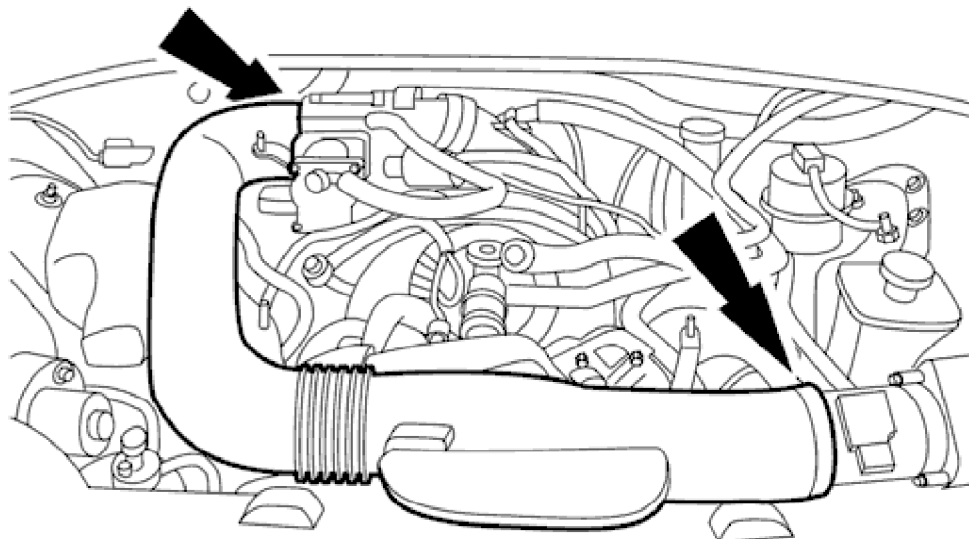
VUJ0001122

3. Disconnect the engine breather hoses.



VUJ0001123

4. Remove the air cleaner outlet pipe retaining nut.



VUJ0001124

5. Remove the air cleaner outlet pipe.

Installation

1. To install, reverse the removal procedure.