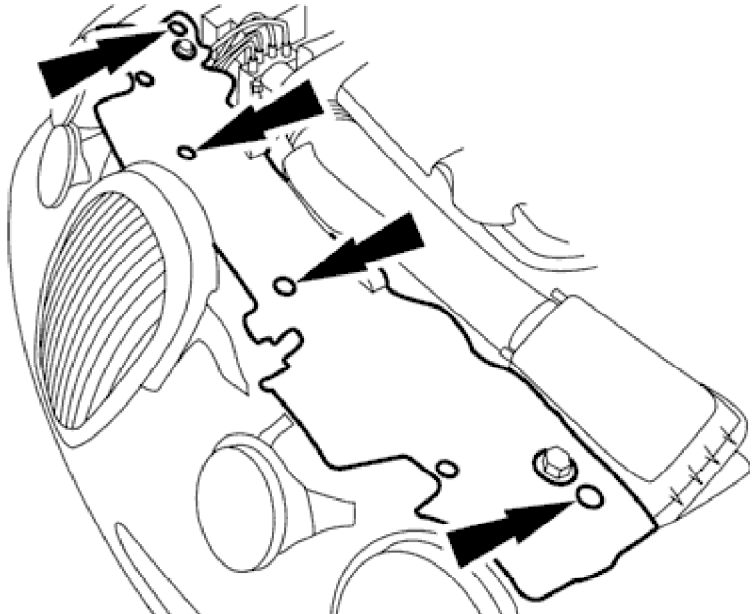


Air Cleaner Element 19.10.08

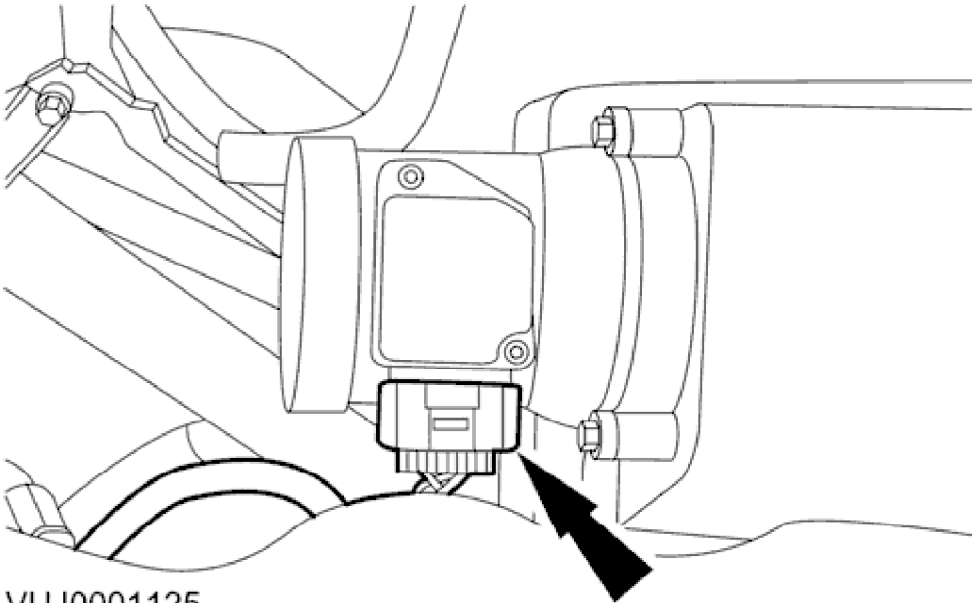
Removal

1. Remove the air cleaner outlet pipe. For additional information, refer to <<Air Cleaner Outlet Pipe>> in this section.



VUJ0000569

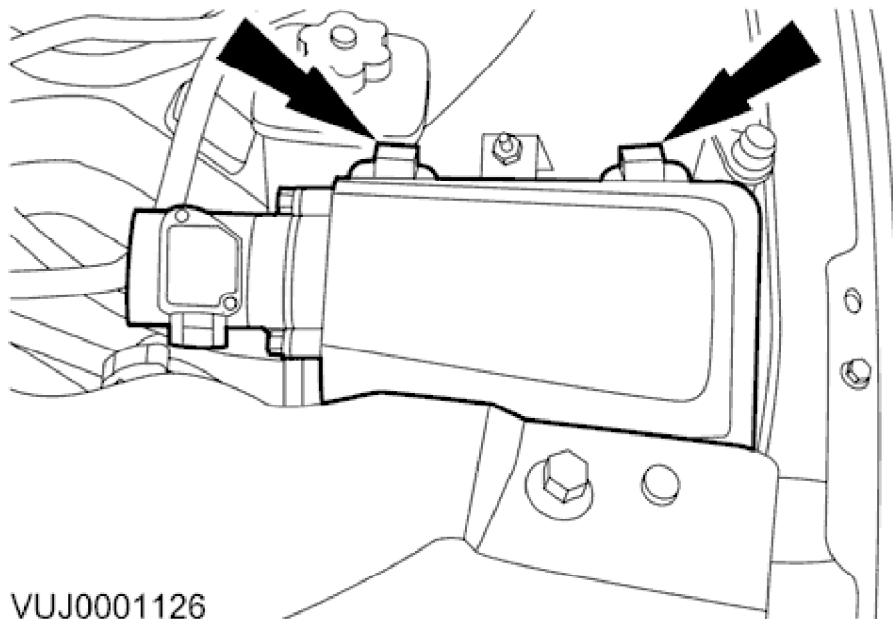
2. Remove the upper shield.



VUJ0001125

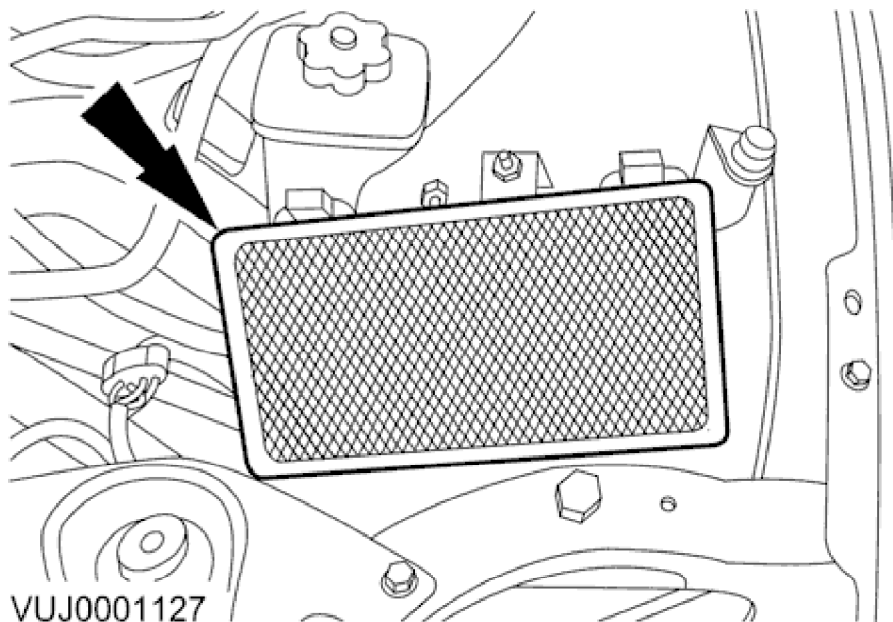
3. Disconnect the mass airflow sensor electrical connector.

2001 S-TYPE - Intake Air Distribution and Filtering - 4.0L - 303-12B



VUJ0001126

4. Remove the air cleaner cover.



VUJ0001127

5. Remove the air cleaner element.

Installation

1. To install, reverse the removal procedure.