

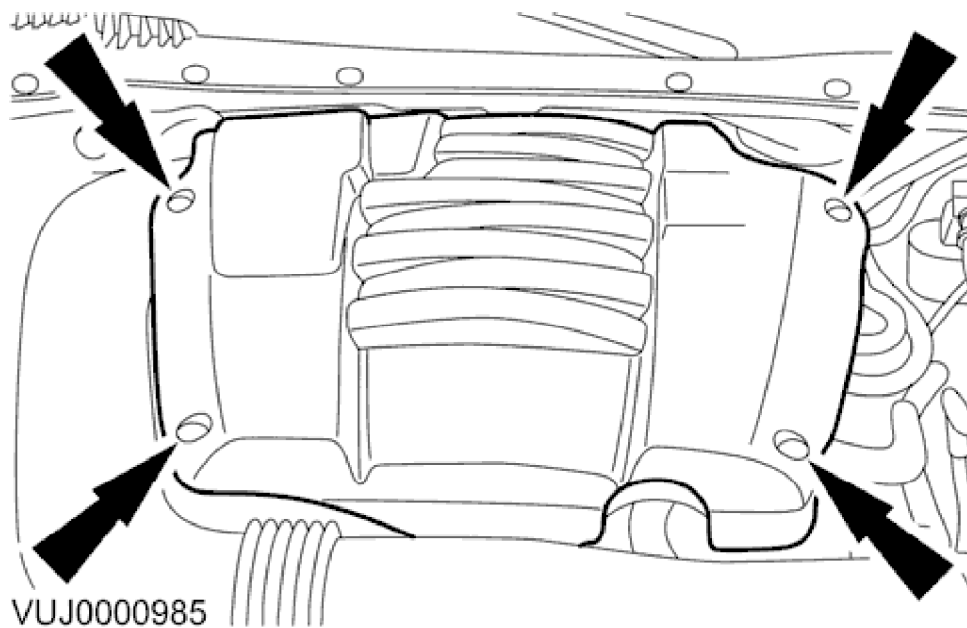
2001 S-TYPE - Engine Ignition - 4.0L - 303-07B

Ignition Coil-On-Plug 18.20.40

Removal

Left and Right-Hand Bank

1. Disconnect the battery ground cable.

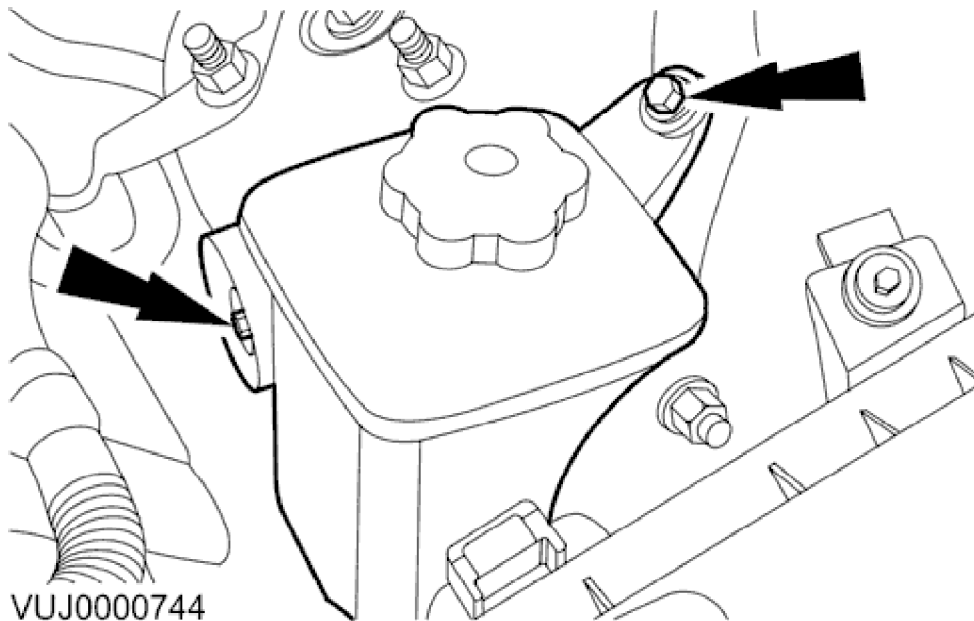


2. Remove the engine cover.

Left-Hand Bank

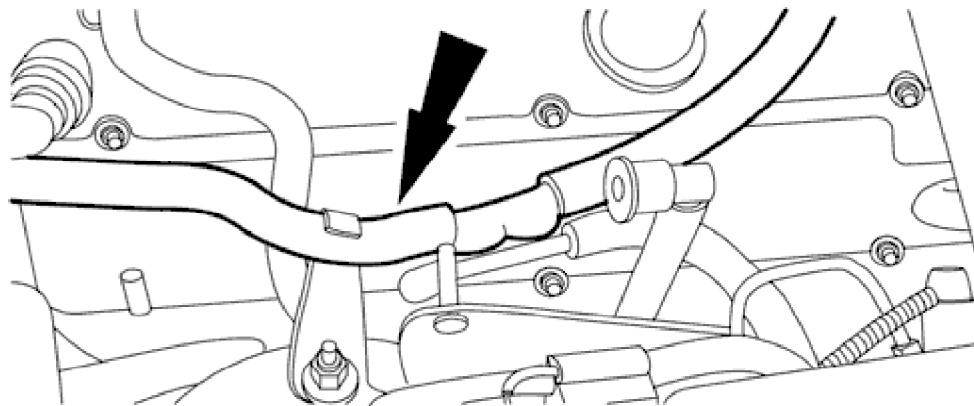
3. Remove the evaporative emission canister purge valve. For additional information, refer to <<303-13>>
4. Remove the oil level indicator.

2001 S-TYPE - Engine Ignition - 4.0L - 303-07B



VUJ0000744

5. Detach the power assisted steering fluid reservoir.



VUJ0000745

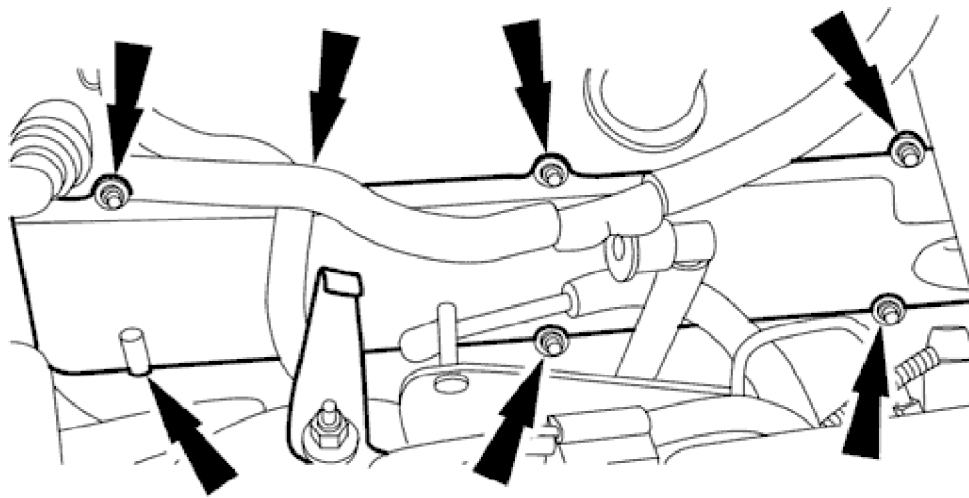
6. Unclip the engine breather hose.

Right-Hand Bank

7. Remove the air intake tube. For additional information, refer to <<303-12A>><<303-12B>>

Left and Right-Hand Bank

2001 S-TYPE - Engine Ignition - 4.0L - 303-07B

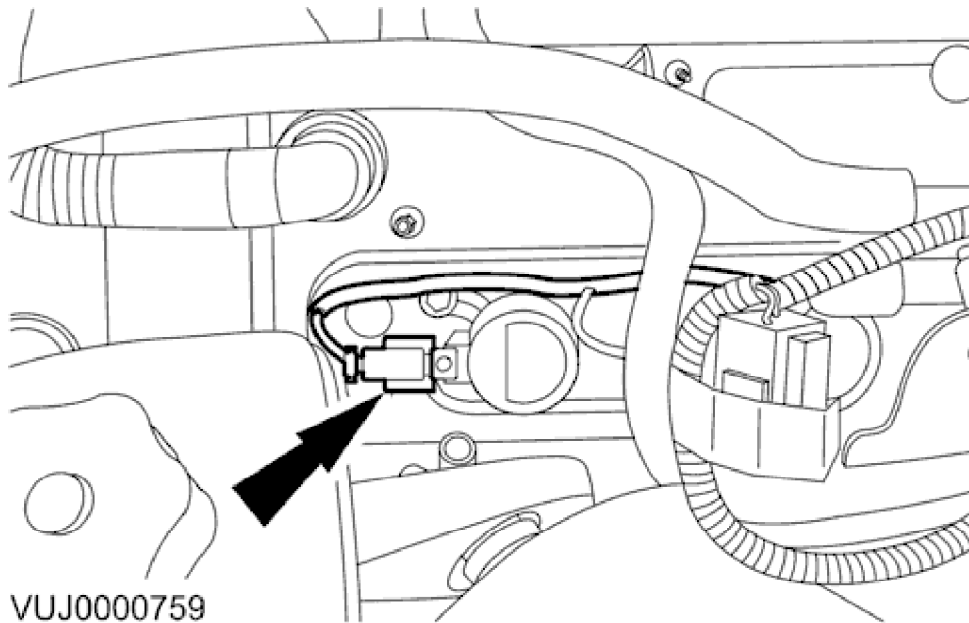


VUJ0000746

8. **NOTE:**

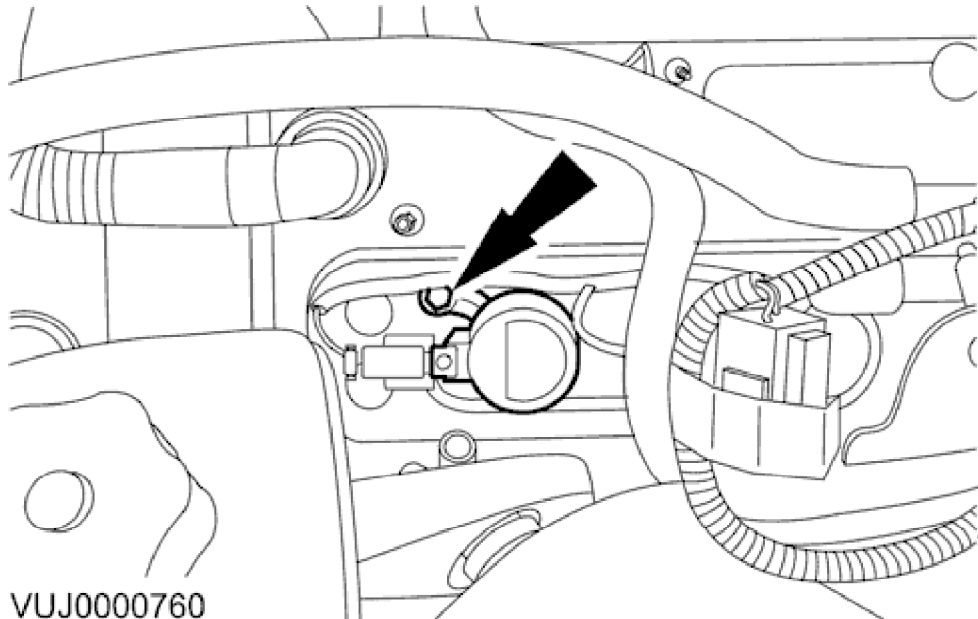
Left-hand bank shown, right-hand similar.

Remove the ignition coil cover.



VUJ0000759

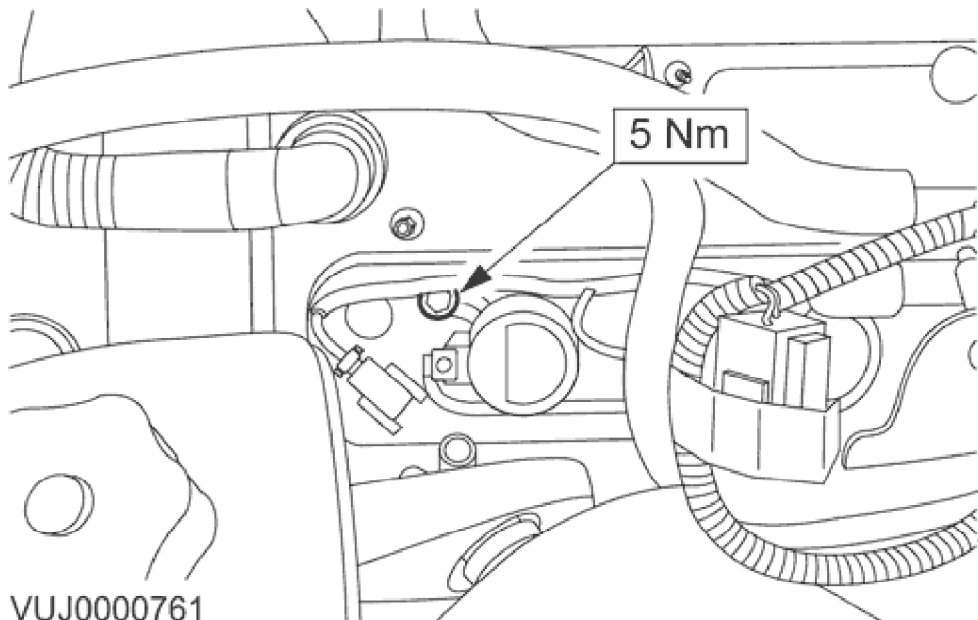
9. Disconnect the ignition coil electrical connector.



VUJ0000760

10. Remove the ignition coil.

Installation



VUJ0000761

1. To install, reverse the removal procedure.