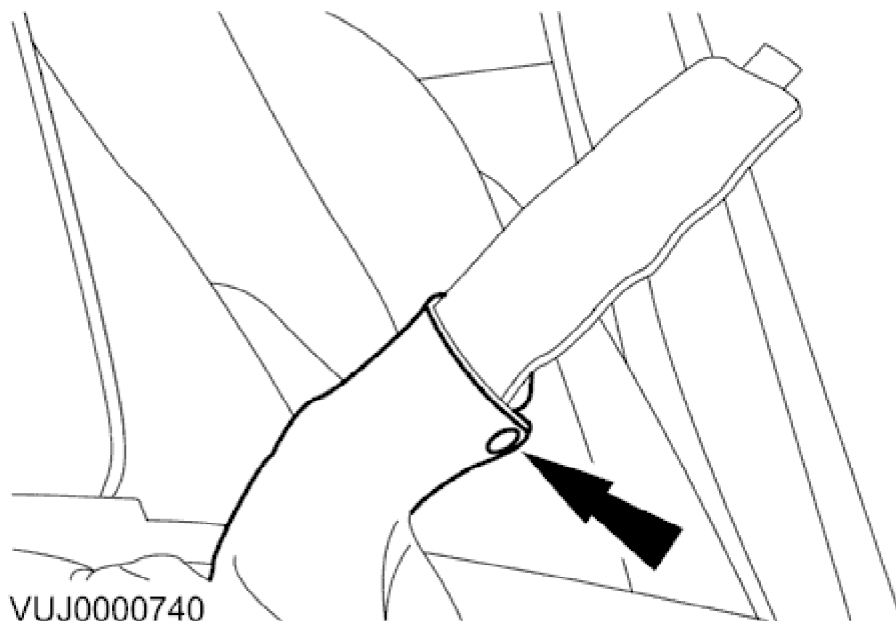
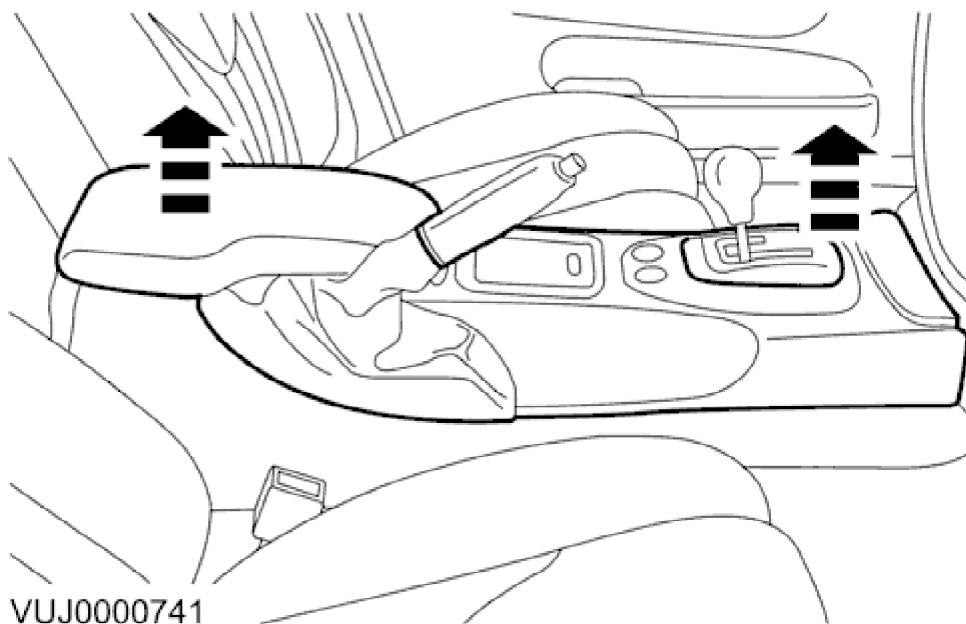


Selector Lever Cable Adjustment



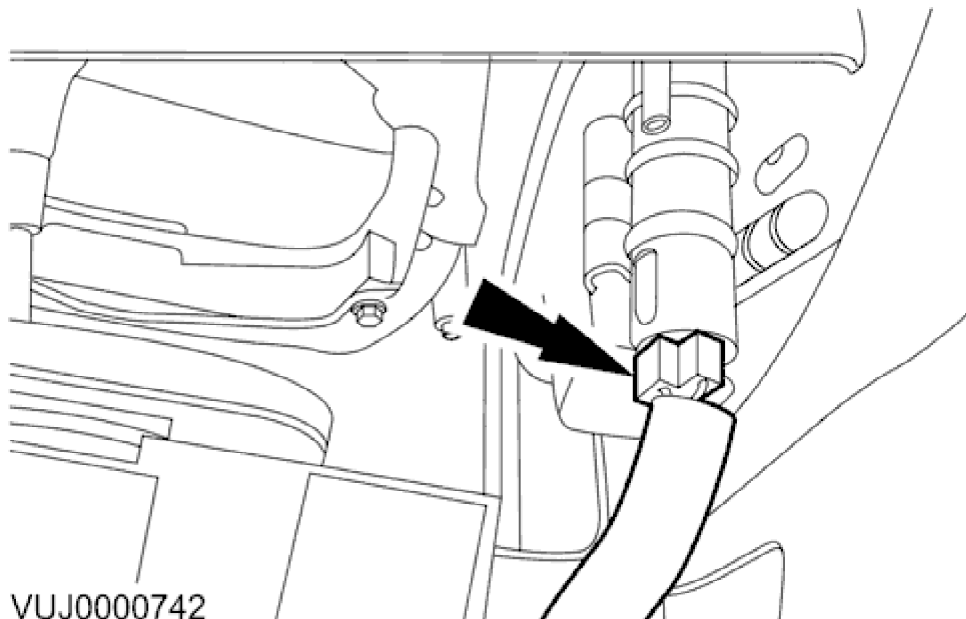
VUJ0000740

1. Unclip the parking brake boot.



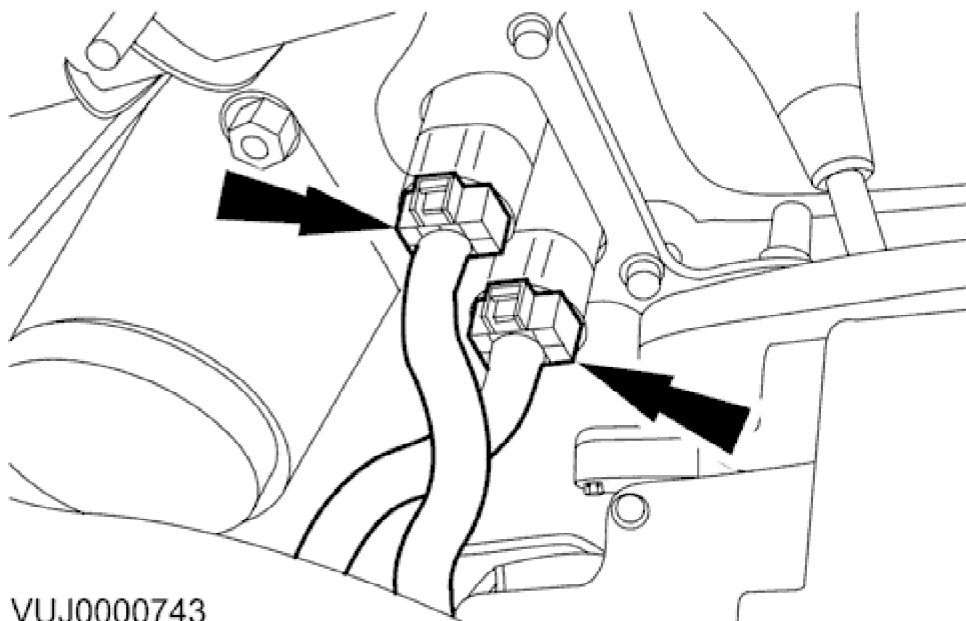
VUJ0000741

2. Detach the center console upper section.



VUJ0000742

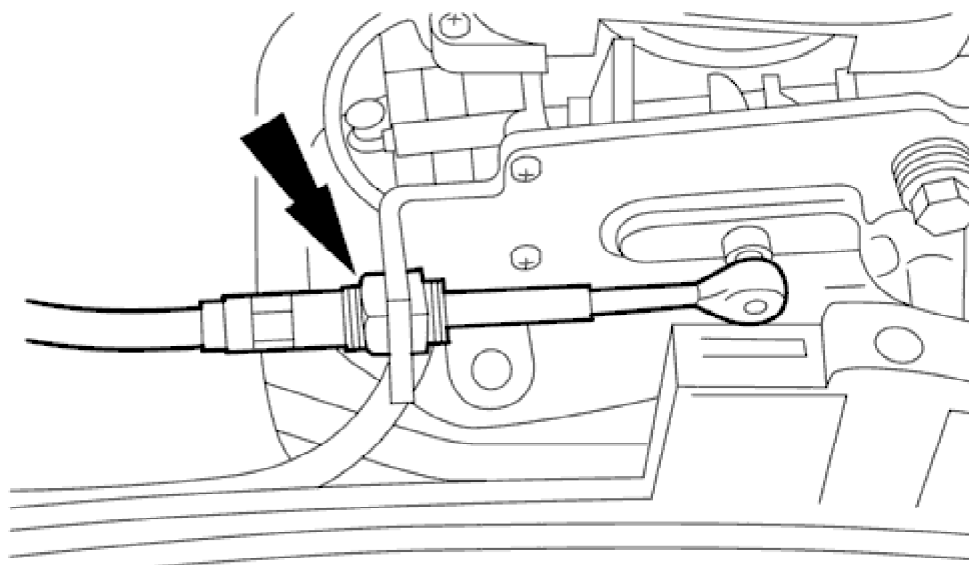
3. Disconnect the cigar lighter electrical connector.



VUJ0000743

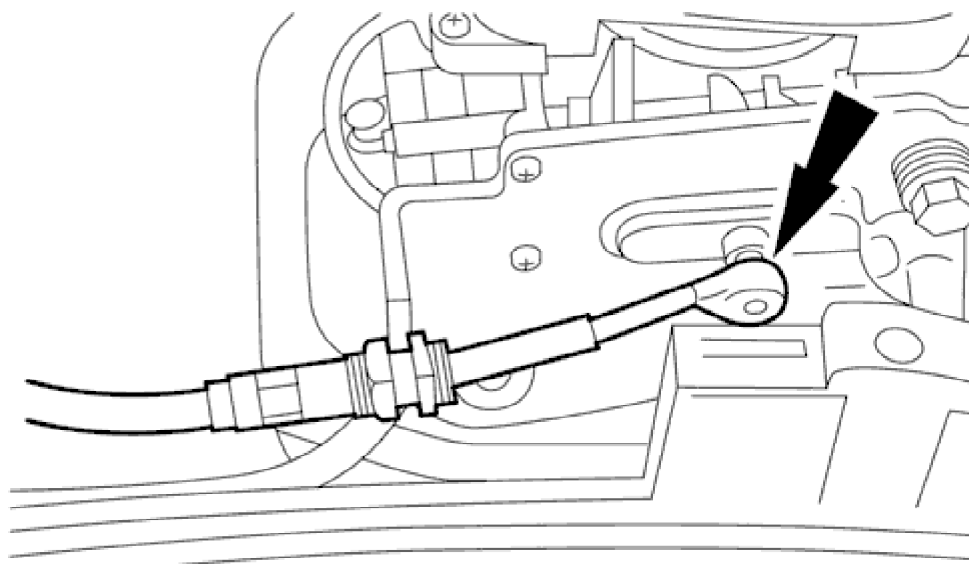
4. Remove the center console upper section.
• Disconnect the transmission mode and traction control electrical connectors.

5. Move the selector lever to position 'R'.



VUJ0000586

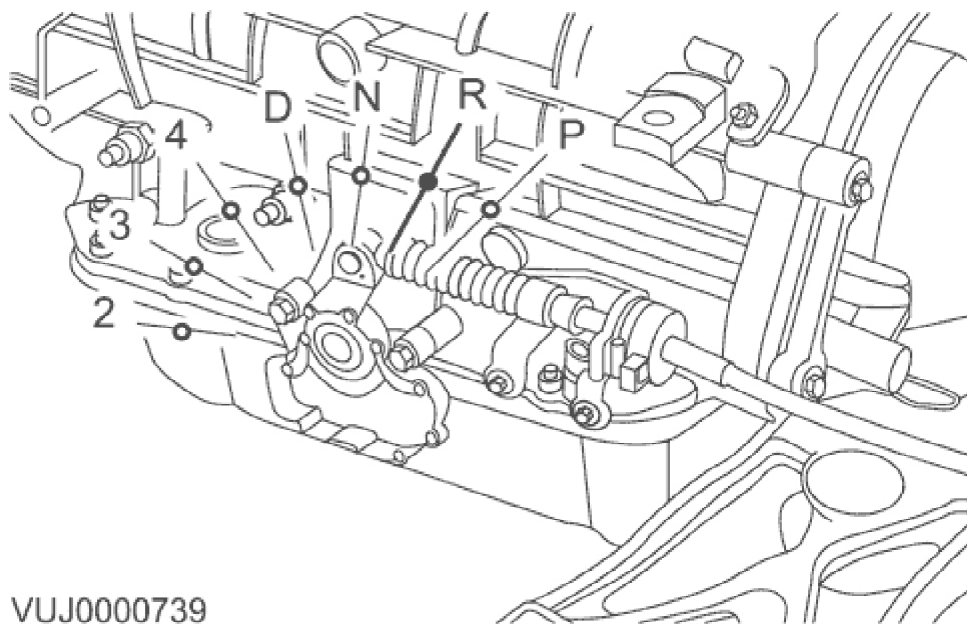
6. Loosen the selector cable lock nut.



VUJ0000585

7. Detach the selector cable.

8. Raise and support the vehicle. For additional information, refer to <<100-02>>.



VUJ0000739

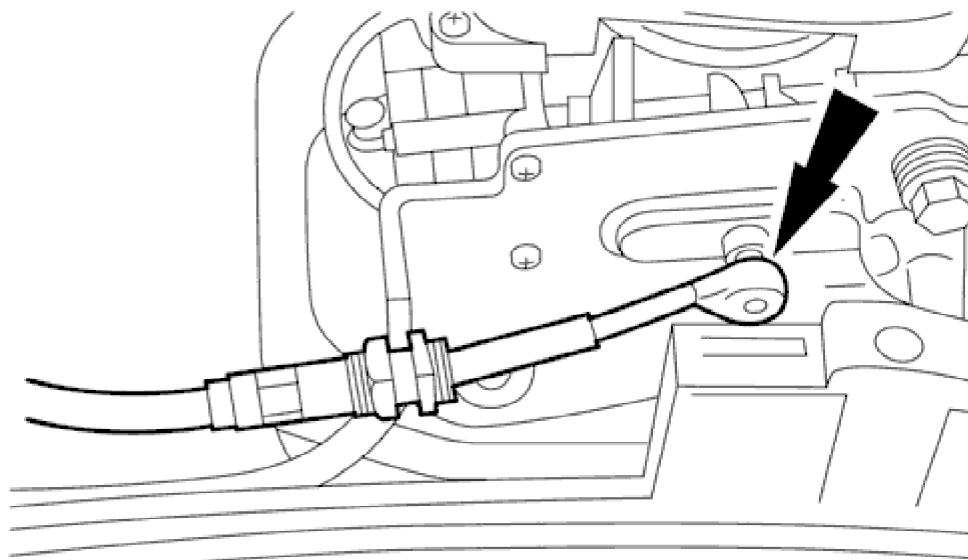
9. **NOTE:**

The transmission selector lever has its own detent mechanism. There is no need to hold it after engaging gear.

Move the rotary position switch to the 'R' position.

10. Lower the vehicle.

11. Move the selector lever to position 'R'.



VUJ0000585

12. Connect the selector cable.

- Do not tighten the selector lever lock nut.

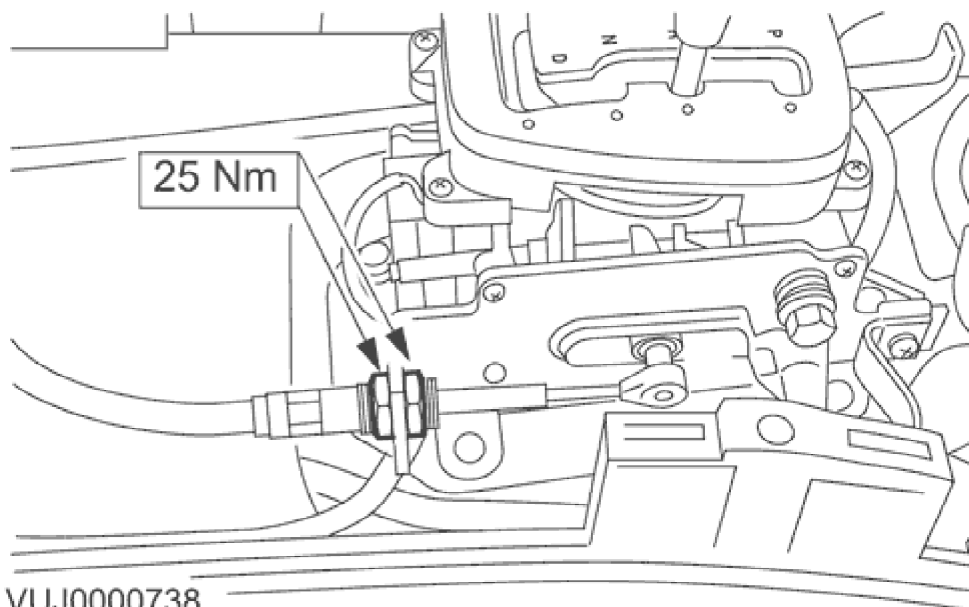
2002 S-TYPE - Automatic Transmission/Transaxle External Controls - 307-05

13. Move the selector lever to position 'D'.

- Hold the selector lever applying light pressure and finger tighten the rear lock nut, then finger tighten the front lock nut.

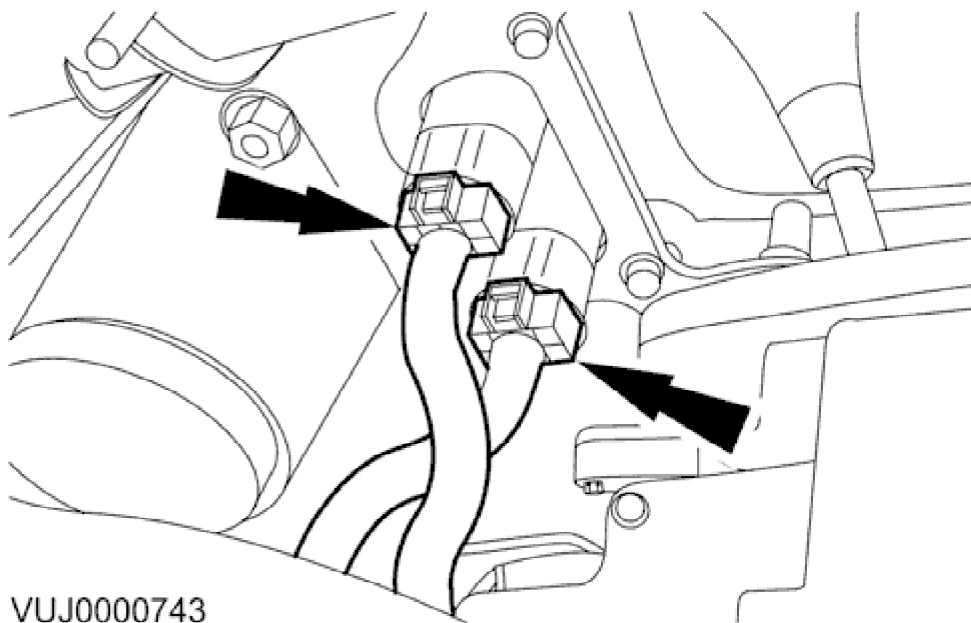
14. Move the selector lever to different gear lever positions

- When 'D' is selected make sure it sits as close as possible to the 'D' and '4' position in each corner.



VUJ0000738

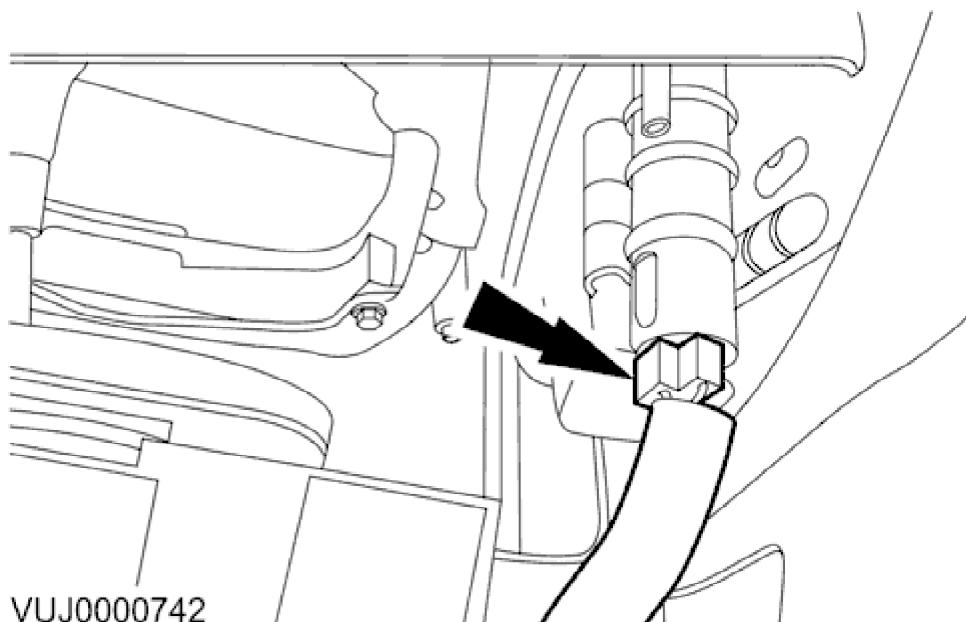
15. Tighten the selector lever lock nut.



VUJ0000743

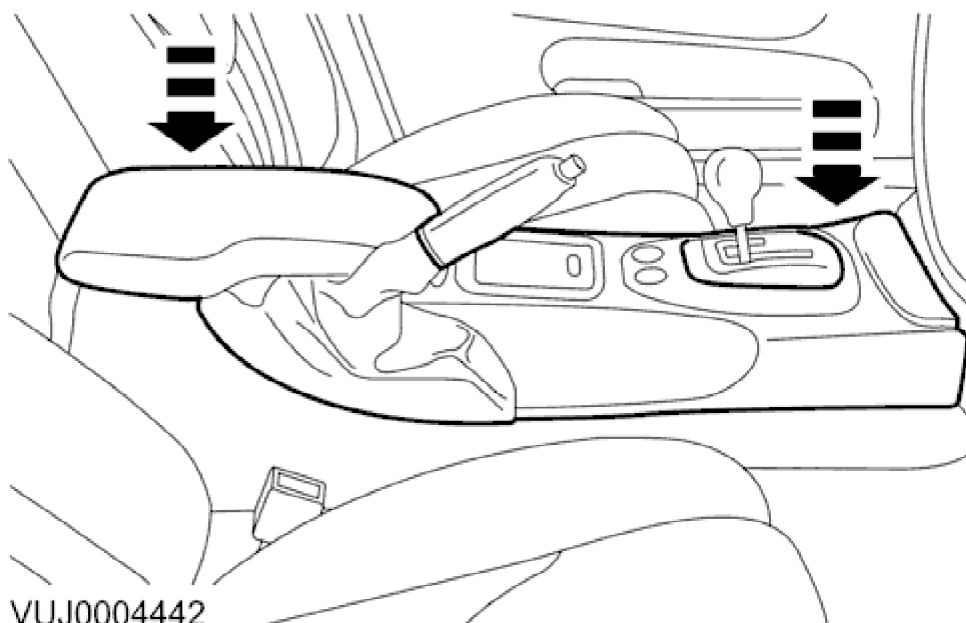
16. Install the center console upper section.

- Connect the transmission mode and traction control electrical connectors.



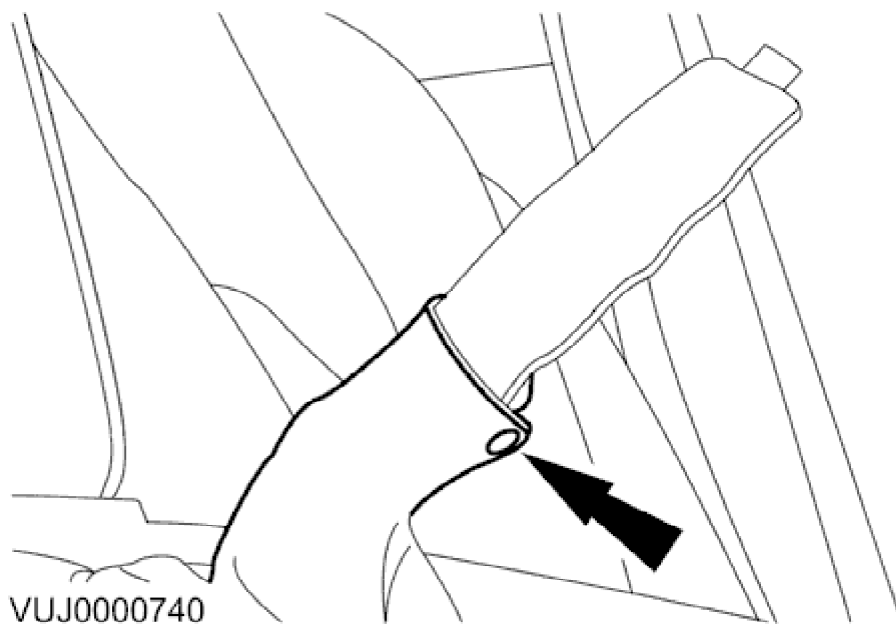
VUJ0000742

17. Connect the cigar lighter electrical connector.



VUJ0004442

18. Install the center console upper section.



VUJ0000740

19. Clip together the parking brake boot.