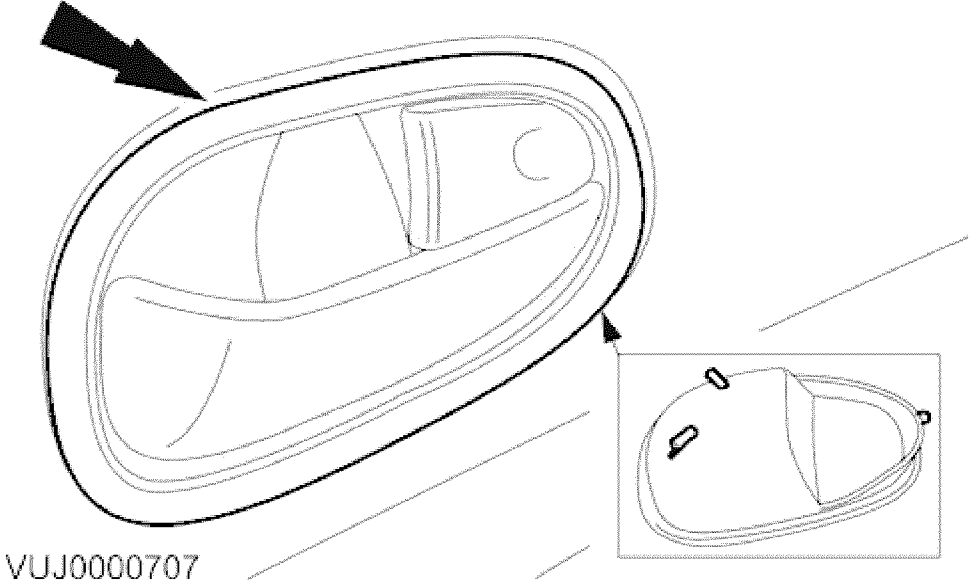
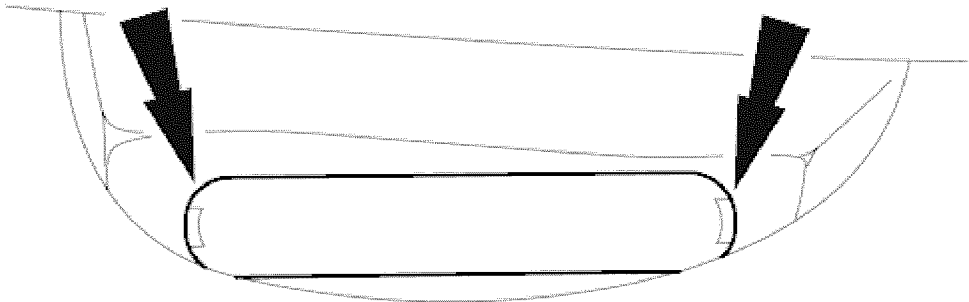


Front Door Trim Panel 76.34.01

Removal

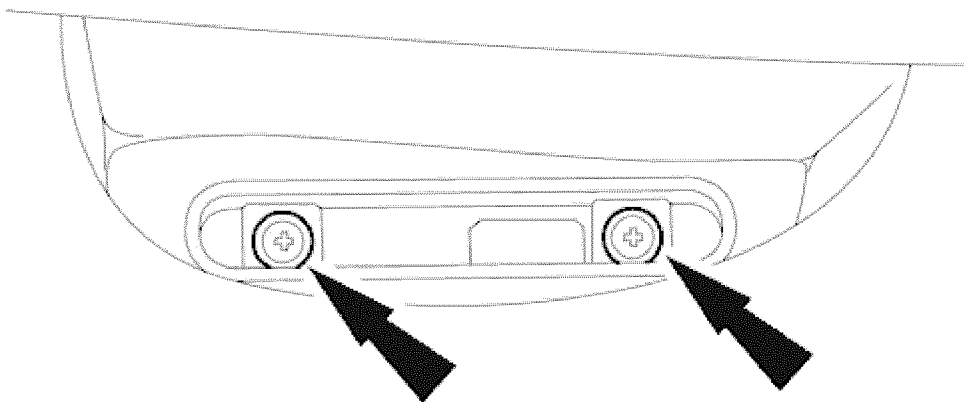


1. Remove the front door interior handle bezel.



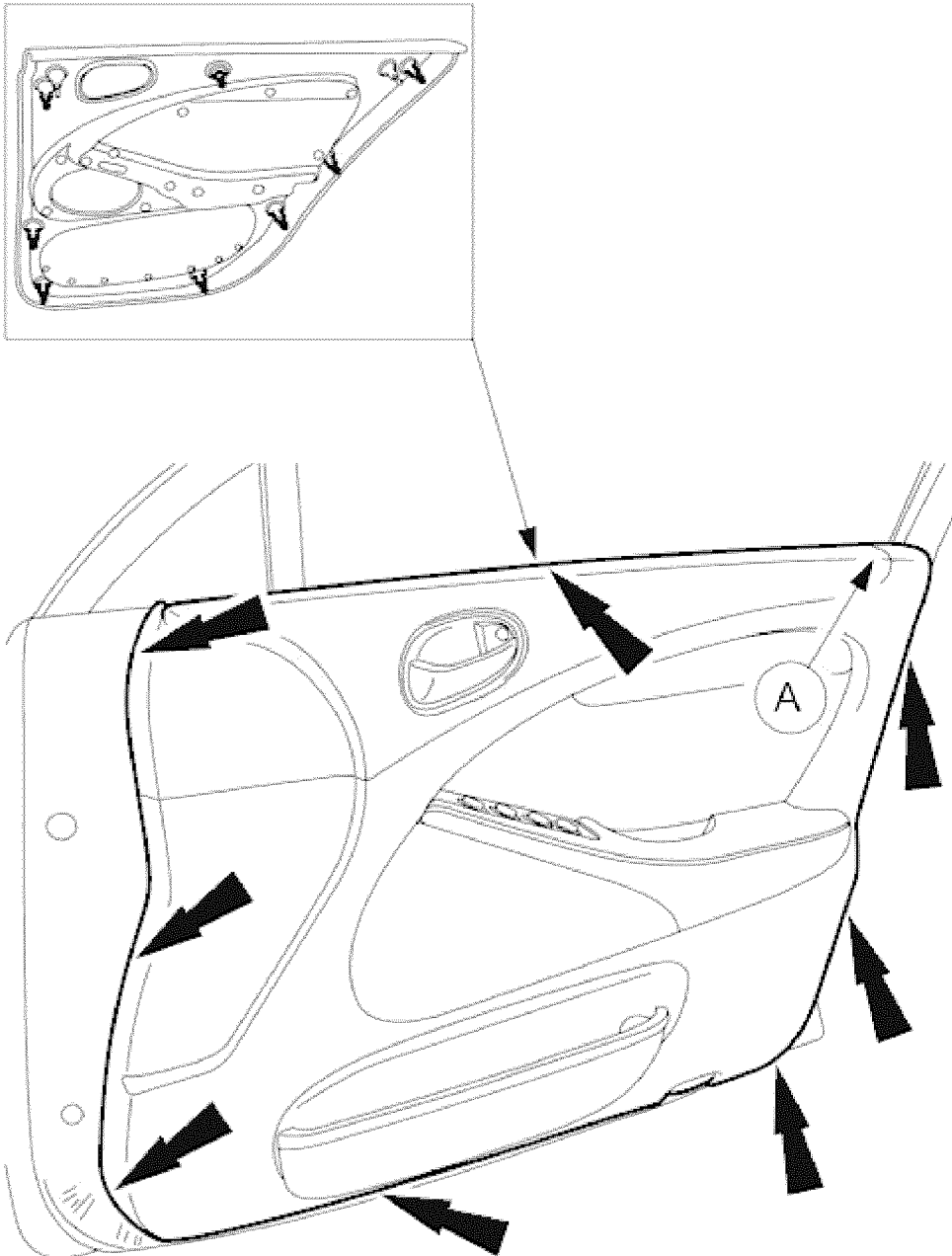
2. Remove the front door trim panel retaining screw cover.

2004 S-TYPE - Interior Trim and Ornamentation - 501-05



VUJ0000710

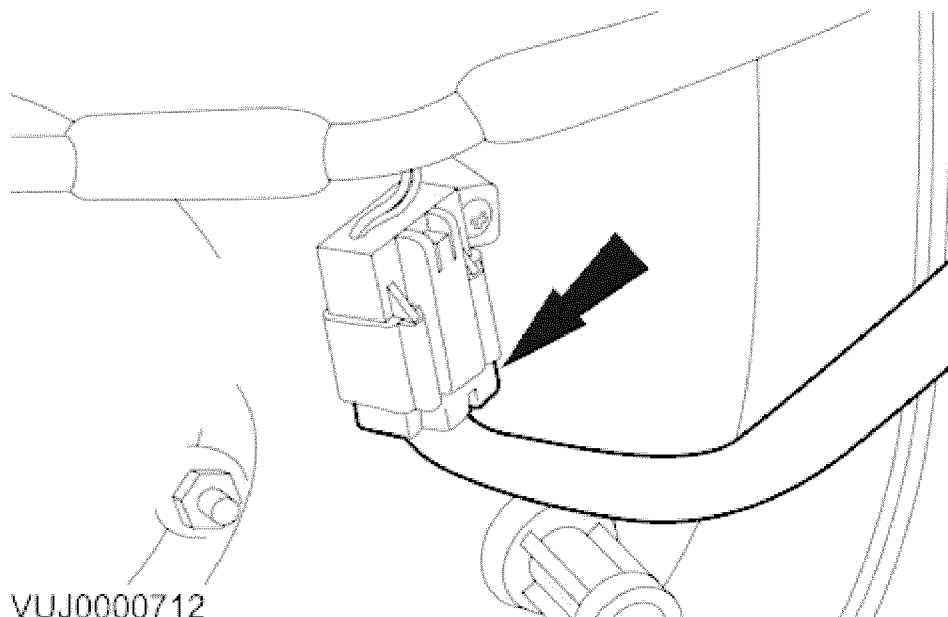
3. Remove the front door trim panel retaining screws.



VUJ0000711

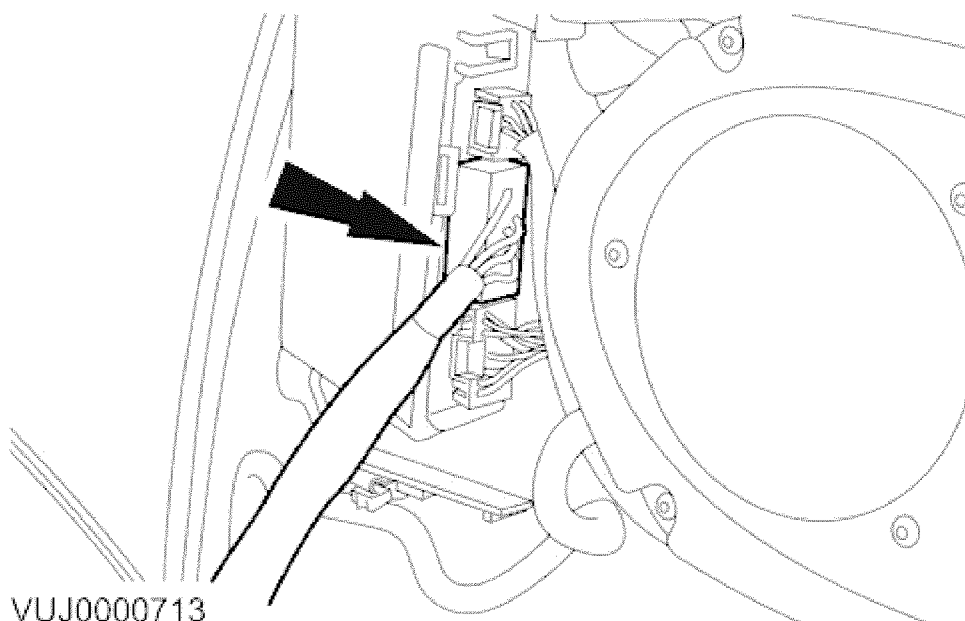
- 4. Detach the front door door trim panel.
  - To aid removal release clip A by lowering the glass and pressing the panel inward.

# 2004 S-TYPE - Interior Trim and Ornamentation - 501-05



VUJ0000712

5. Disconnect the front door trim panel harness electrical connector.



VUJ0000713

6. Remove the front door trim panel.  
• Disconnect the driver door module electrical connector.

## Installation

1. To install, reverse the removal procedure.