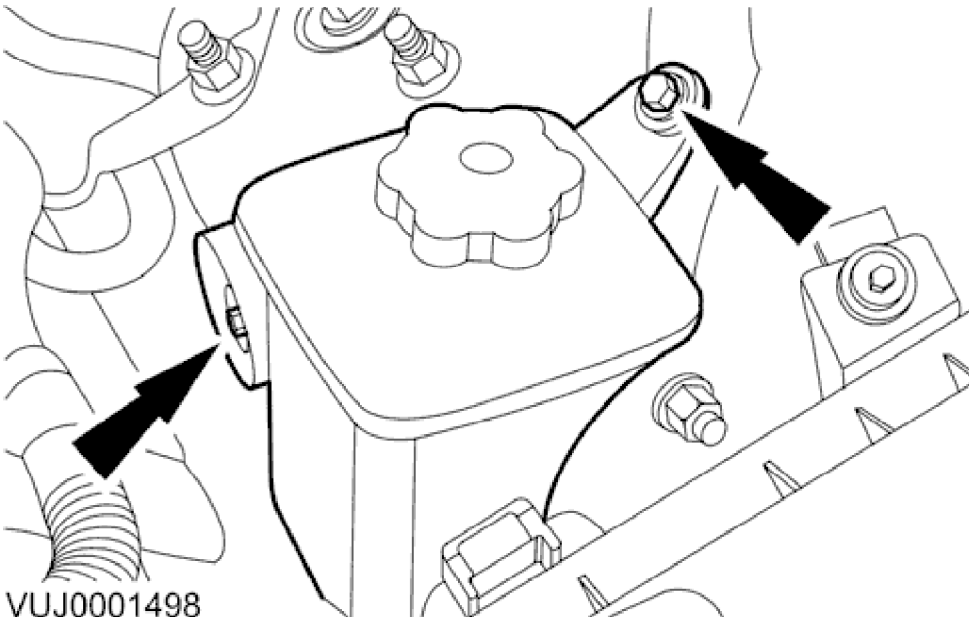


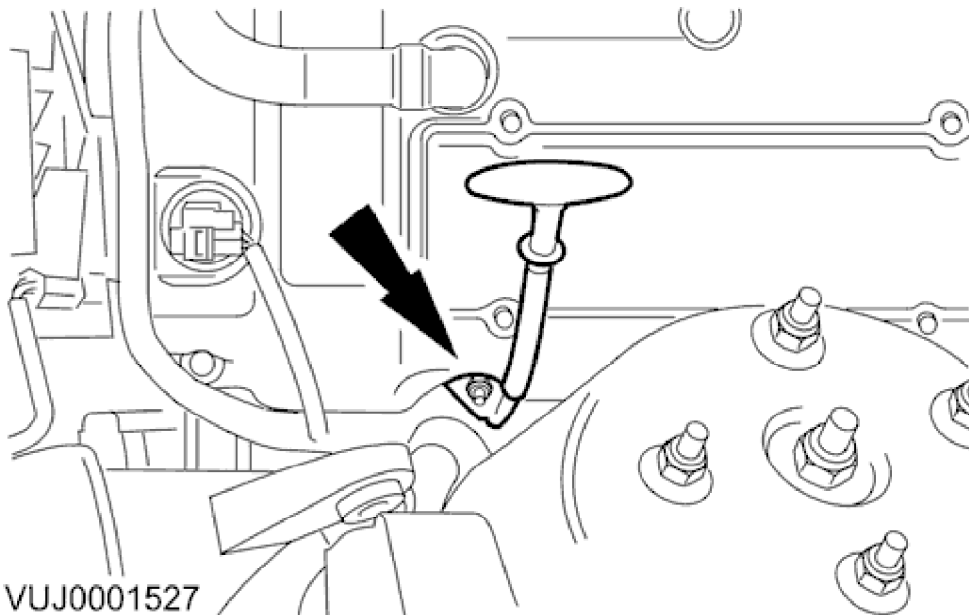
Valve Cover LH 12.29.43

Removal

- 1. Remove the air cleaner. For additional information, refer to <<303-12A>><<303-12B>>
- 2. Remove the ignition coils for the left-hand bank. For additional information, refer to <<303-07A>><<303-07B>>

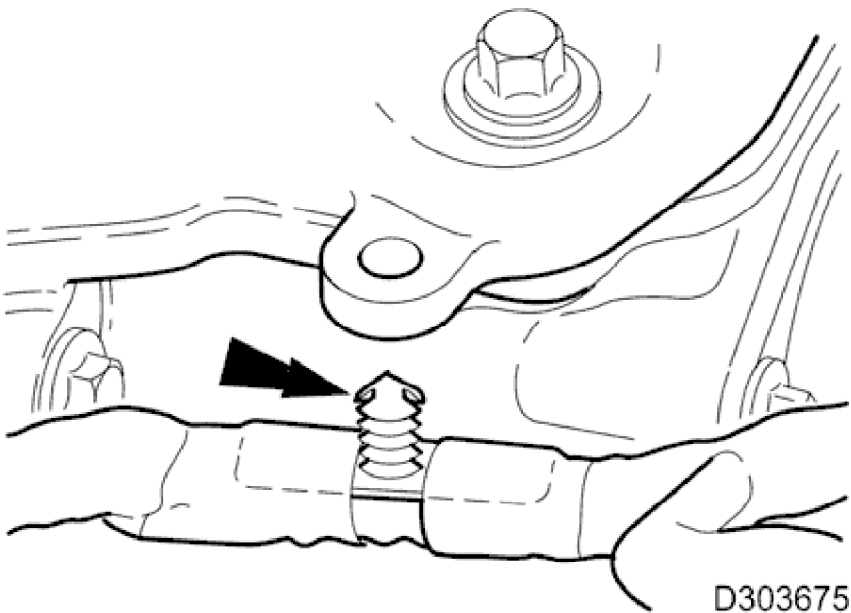


- 3. Detach the power assisted steering reservoir.

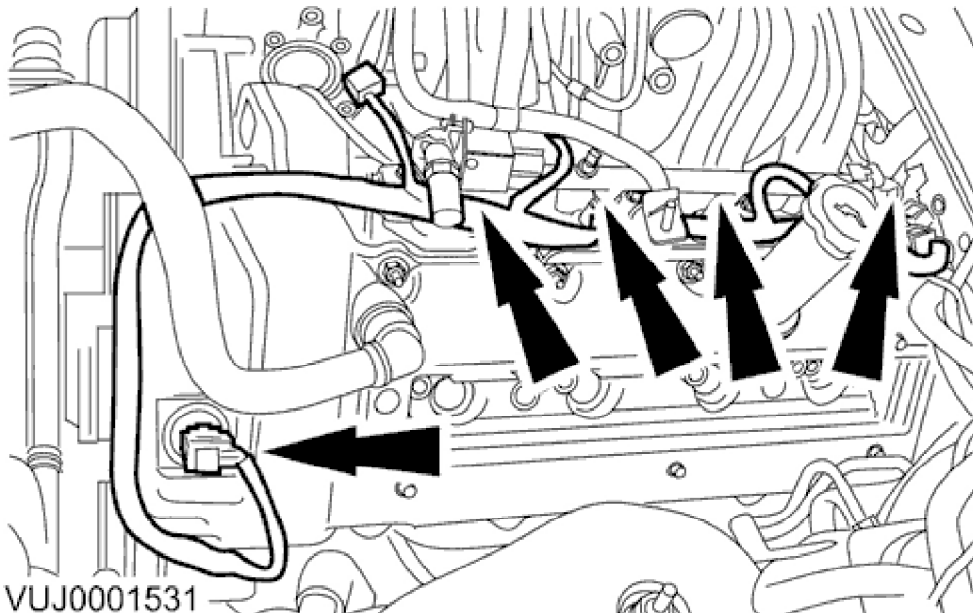


2001 S-TYPE - Engine - 4.0L - 303-01B

4. Remove the oil deposit tube.

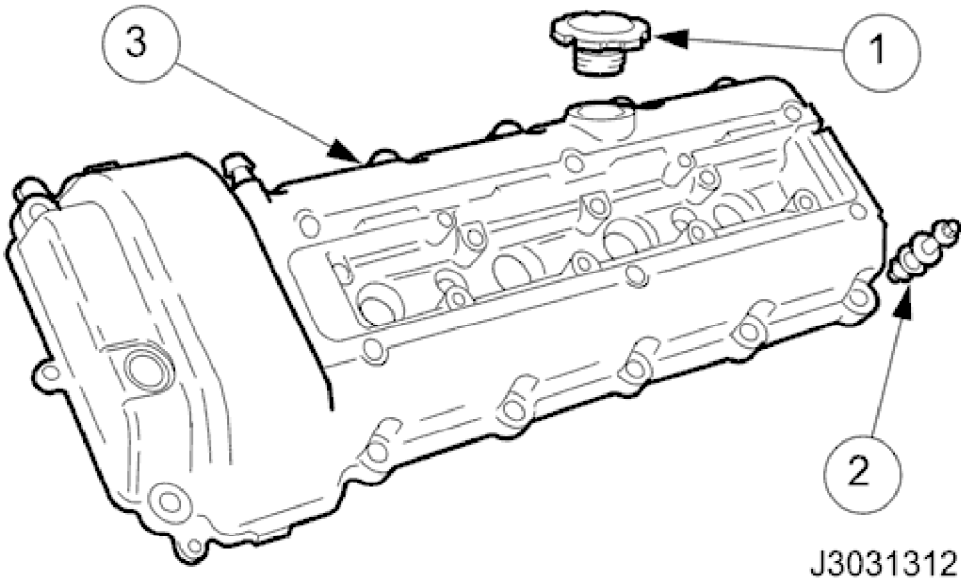


5. Detach the engine harness.

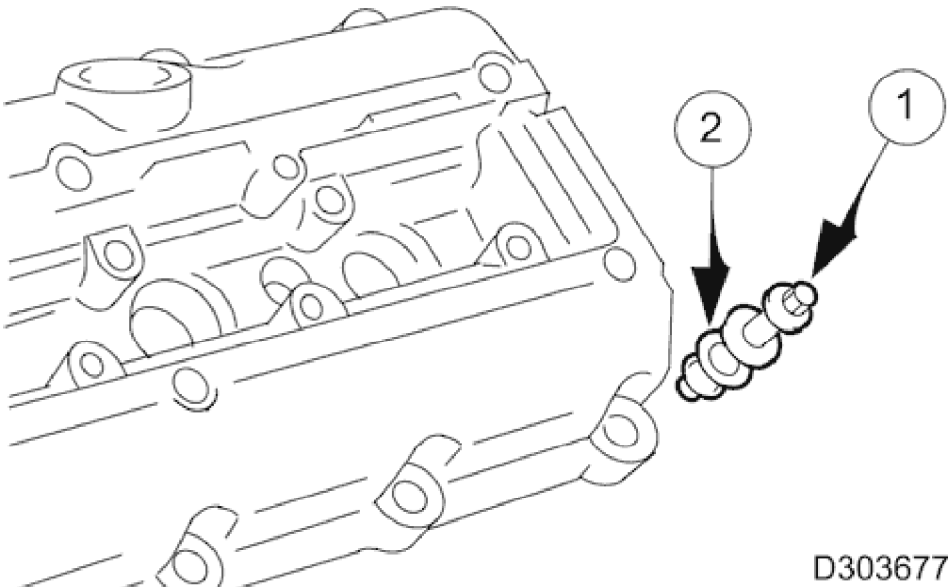


6. Detach the engine harness (continued).

2001 S-TYPE - Engine - 4.0L - 303-01B

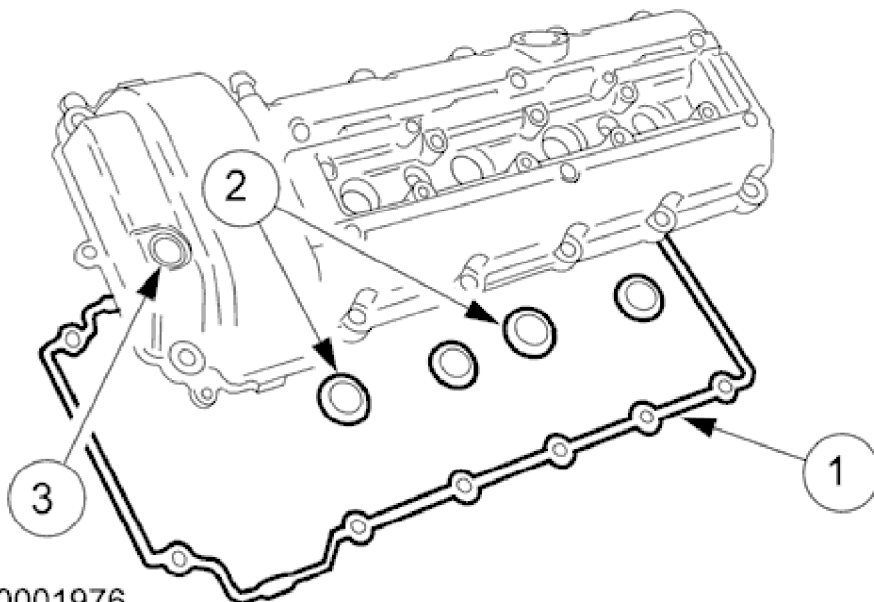


- 7. Remove the valve cover assembly.
 - 1. Remove the oil filler cap.
 - 2. Release the fourteen valve cover retaining screws. The screws remain in place, held in by the seals.
 - 3. Remove the valve cover, screws and seals as an assembly.



- 8.  **CAUTION:**
Make a note of the different types of fixings and their positions in the valve cover.

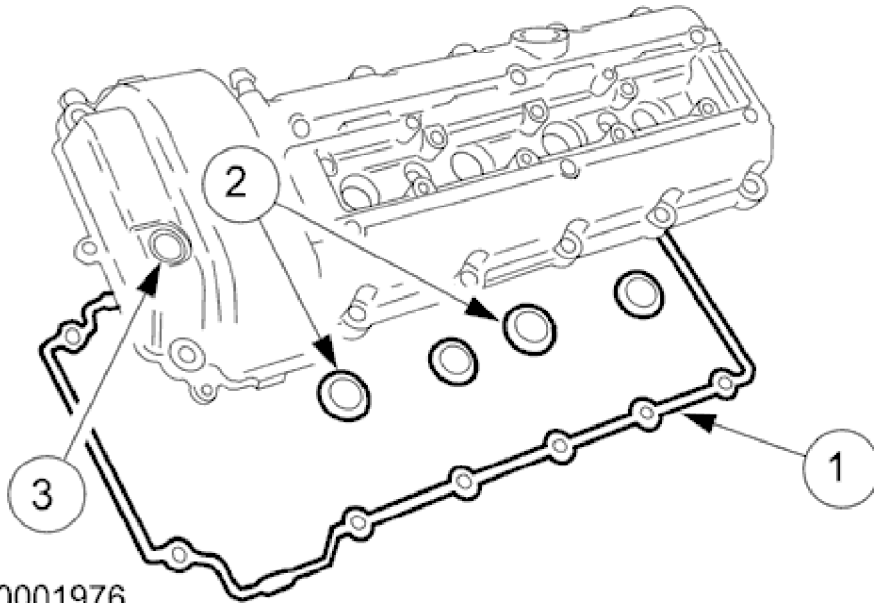
- Separate the screws and seals from the valve cover.
 - 1. Remove the retaining screws from the valve cover.
 - 2. Remove the rubber sealing ring from each screw.



VUJ0001976

- 9. Remove the main seals from the valve cover.
 - 1. Remove and discard the outer seal.
 - 2. Remove and discard the four seals from around the spark plug apertures.
 - 3. Remove the seal for the VVT solenoid.

Installation

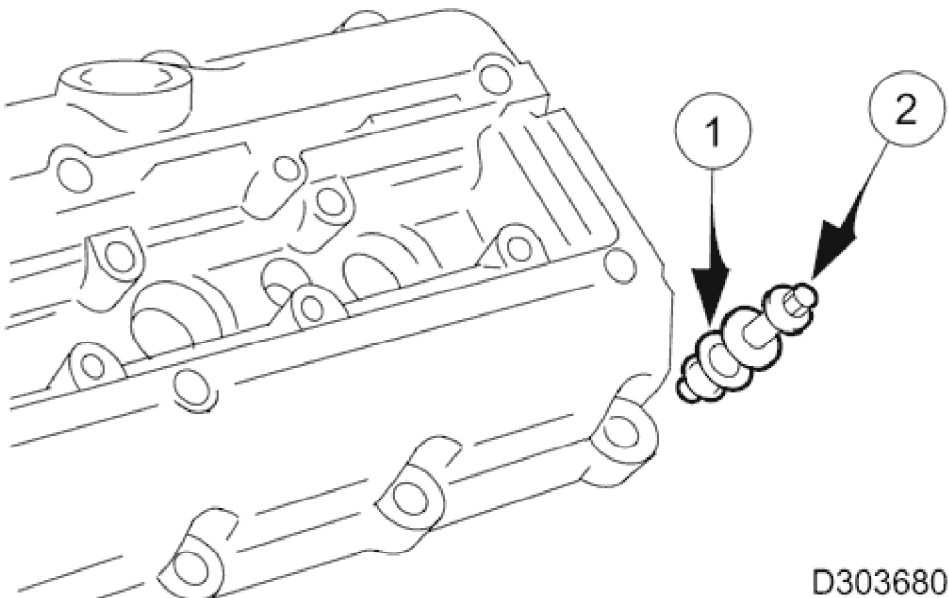


VUJ0001976

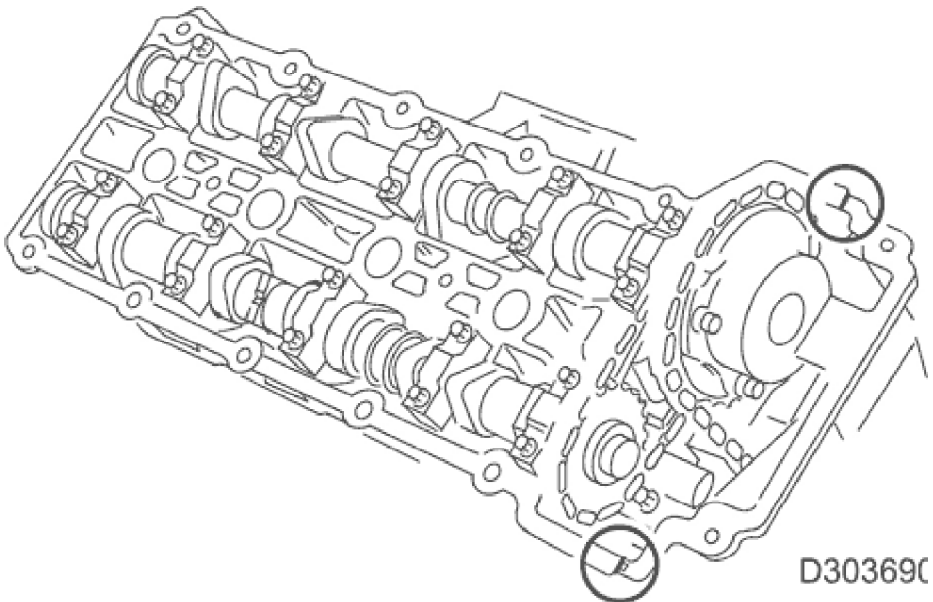
- 1. **NOTE:**
 - Make sure all parts are clean.
- Install the new main seals to the valve cover.
- 1. Install the new outer seal.
 - 2. Install the four new spark plug aperture seals.

2001 S-TYPE - Engine - 4.0L - 303-01B

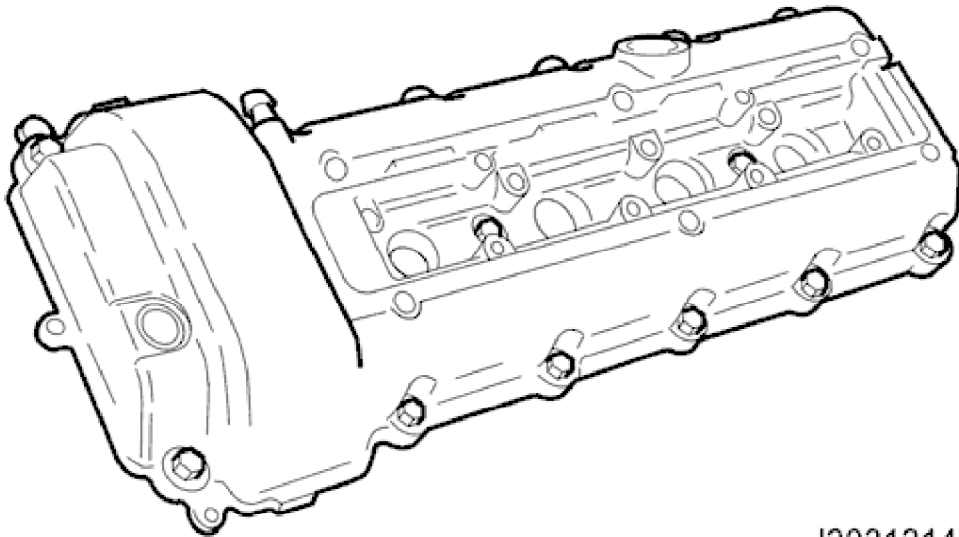
3. Install the new VVT solenoid aperture seal.



2. Install the securing screws to the valve covers.
- Install a new sealing ring to each screw assembly.
 - Install the screws to the valve cover in the correct positions.

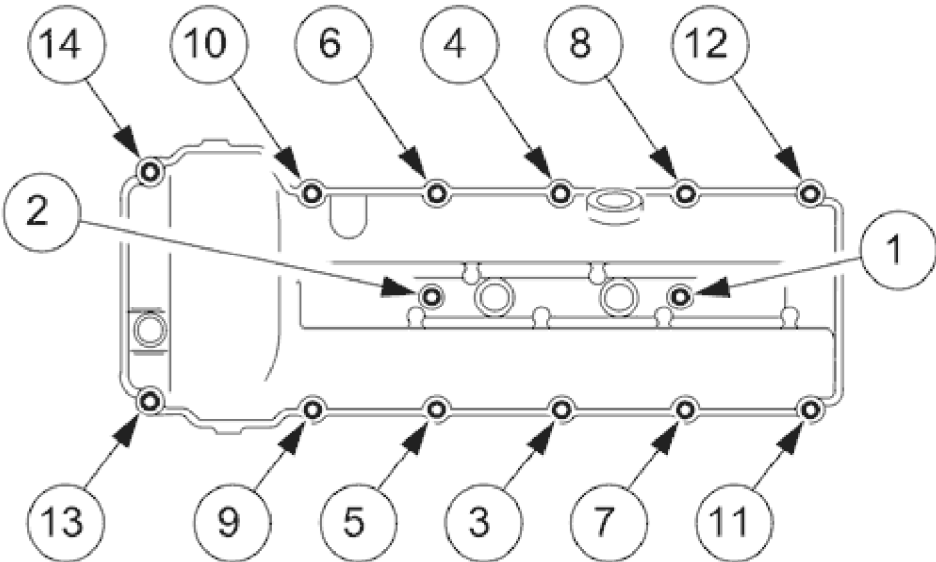


3. Apply RTV sealant WSS-M4G320-A3 to two places on the joint between the front of the valve cover and the cylinder head.
- The application of sealant must be 3mm diameter by 12mm long. Install the valve cover immediately after applying the sealant.
 - The cover should be fitted directly to the head without smearing the sealant or the seals.



J3031314

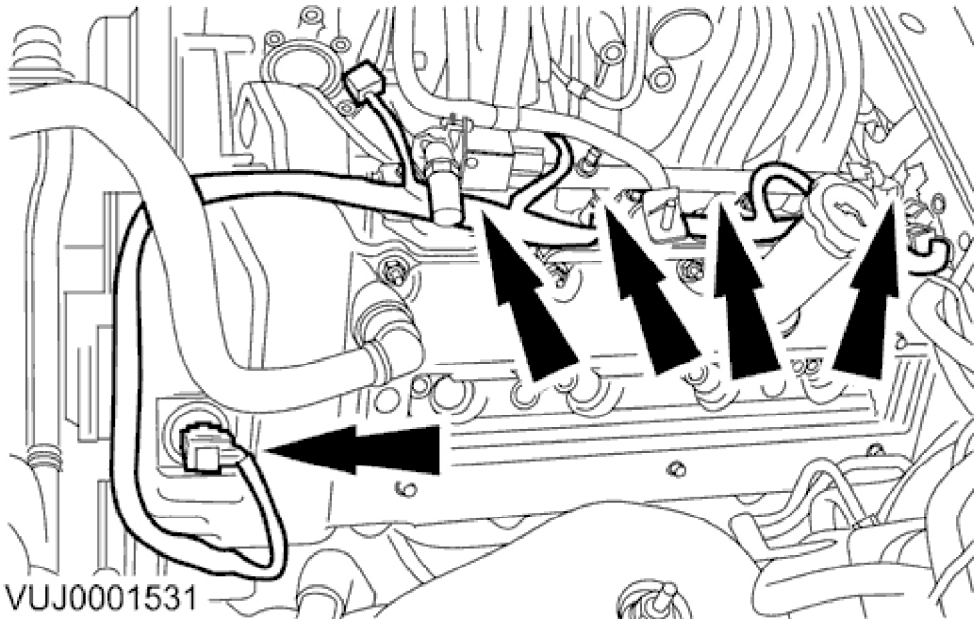
4. Install the valve cover.



VUJ0001977

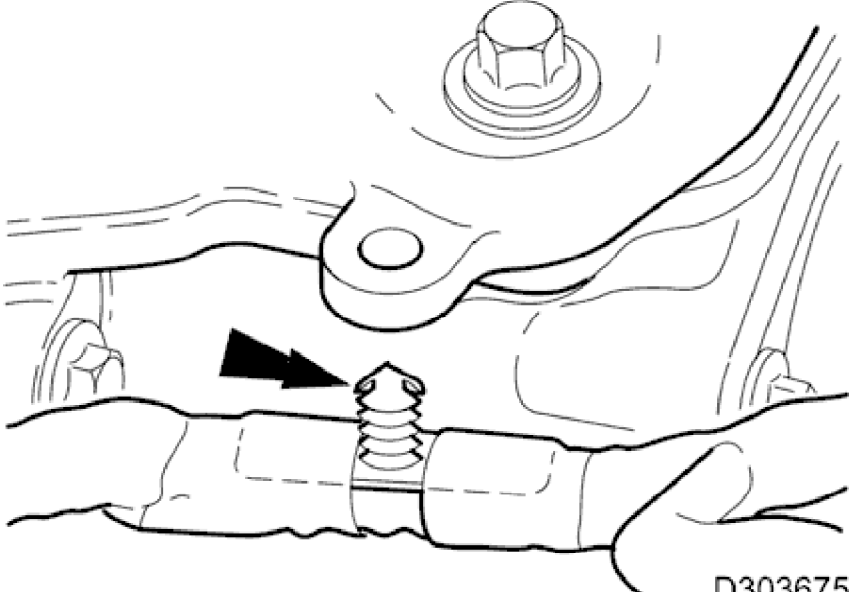
5. Tighten the valve cover screws.

2001 S-TYPE - Engine - 4.0L - 303-01B



VUJ0001531

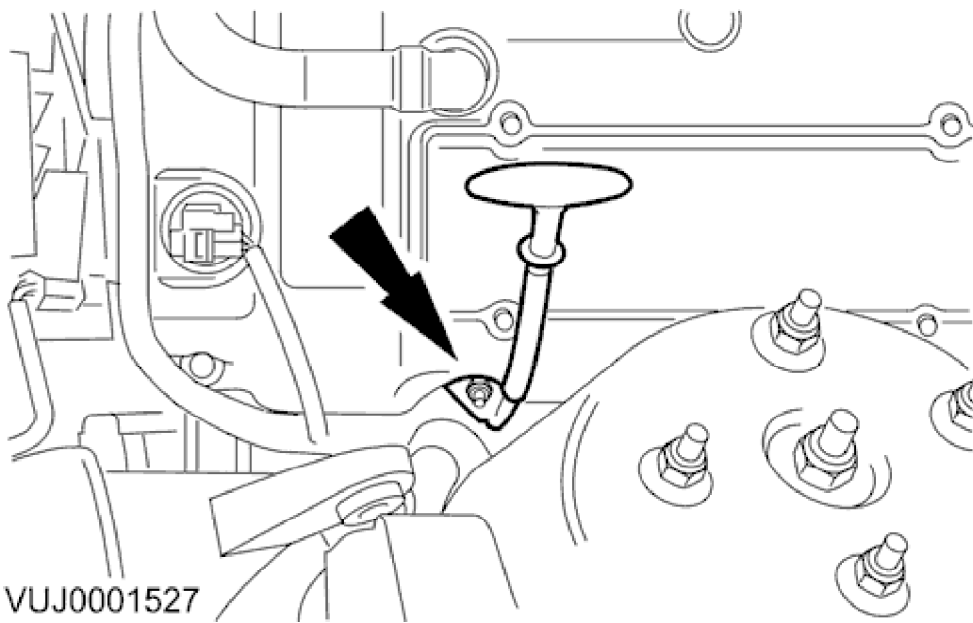
6. Attach the engine harness.



D303675

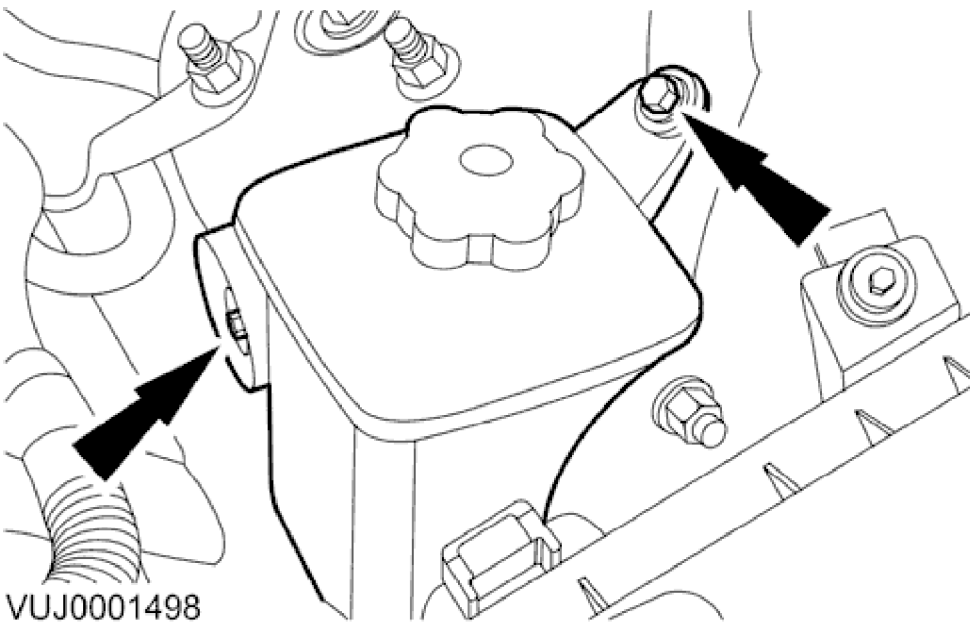
7. Attach the wiring harness to the valve cover.

2001 S-TYPE - Engine - 4.0L - 303-01B



VUJ0001527

8. Install the oil deposit tube.



VUJ0001498

9. Attach the power assisted steering reservoir.

10. Install the ignition coils for the left-hand bank. For additional information, refer to <<303-07A>><<303-07B>>

11. Install the air cleaner. For additional information, refer to <<303-12A>><<303-12B>>