

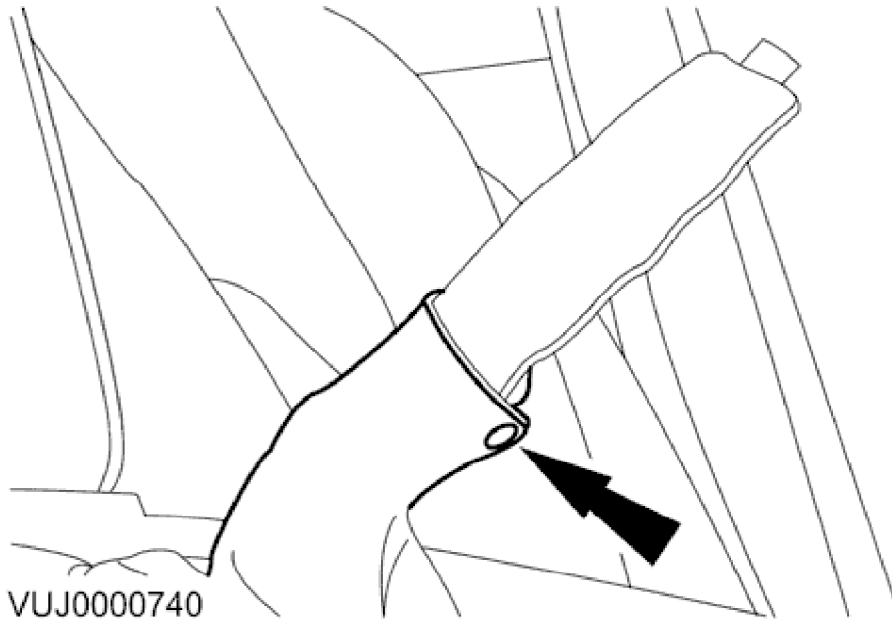
2002 S-TYPE - Instrument Panel and Console - 501-12

Floor Console 76.25.01

Removal

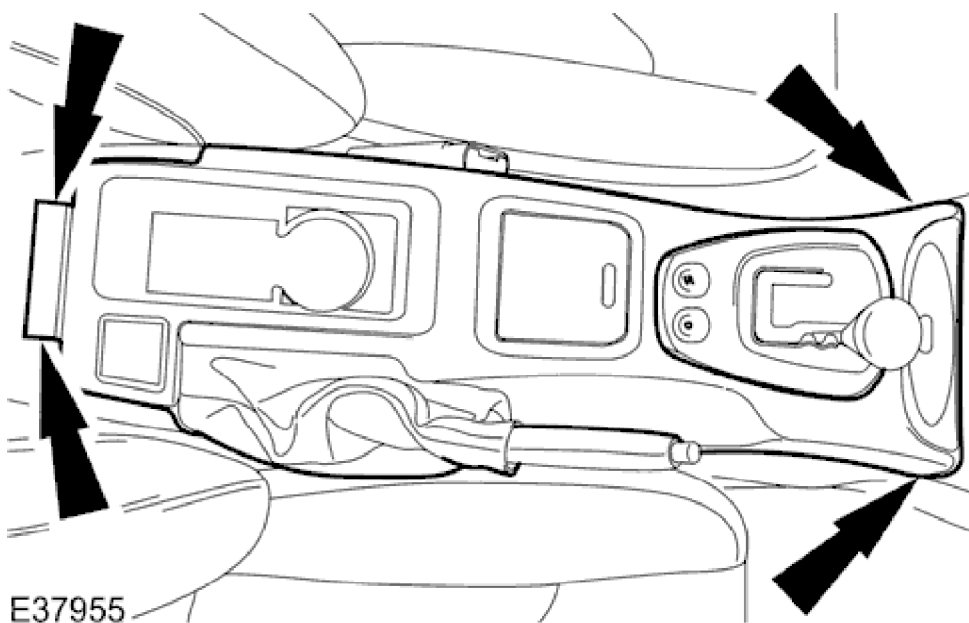
All vehicles

1. Disconnect the battery ground cable. <<414-01>>



2. Release the parking brake boot retaining clip.

2002 S-TYPE - Instrument Panel and Console - 501-12



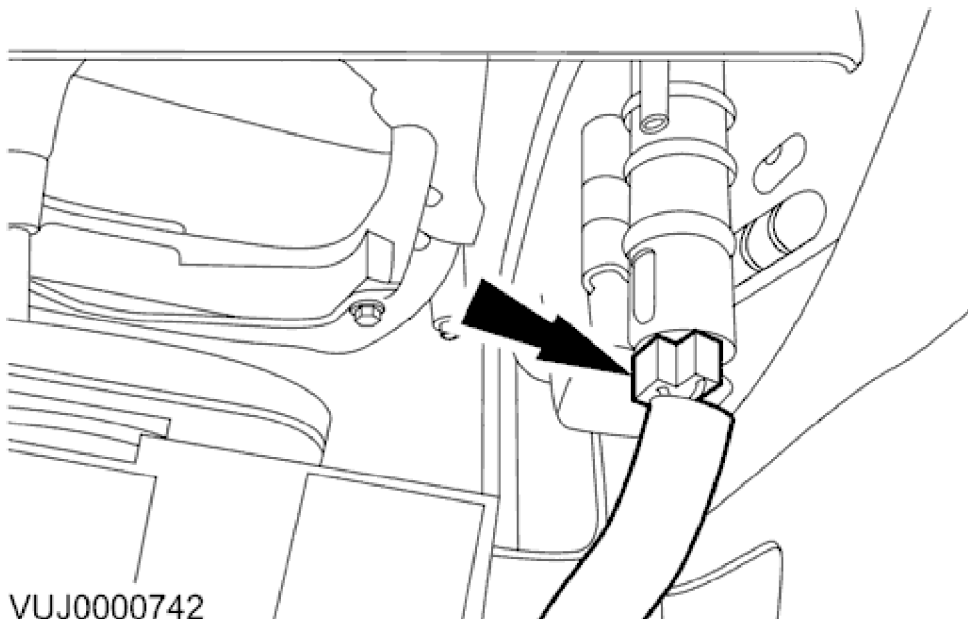
E37955

3. NOTE:

Vehicles with automatic transmission shown, vehicles with manual transmission similar.

Detach the floor console upper section.

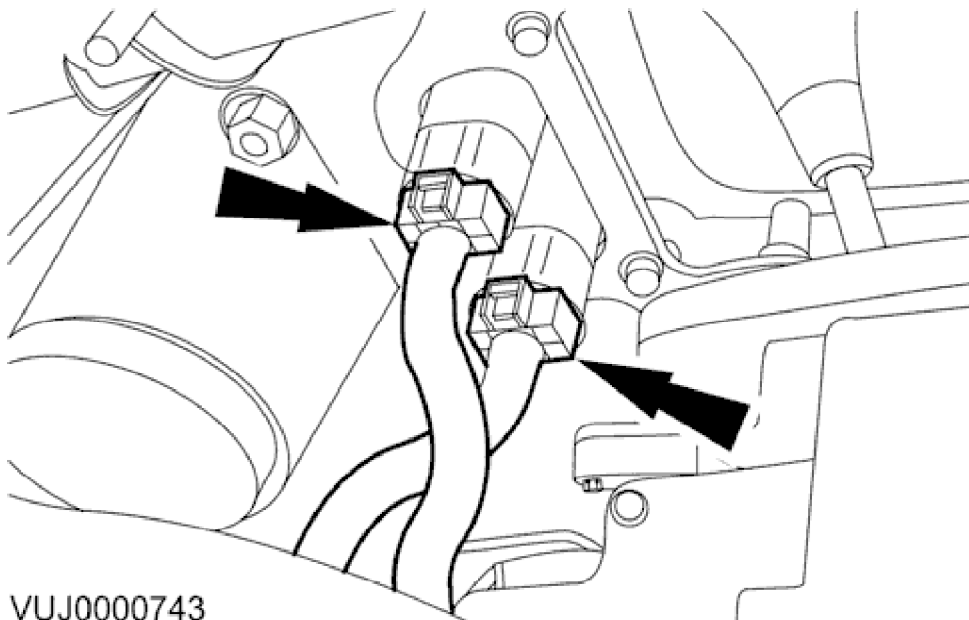
- Open the floor console glove compartment.



VUJ0000742

4. Disconnect the cigarette lighter electrical connector.

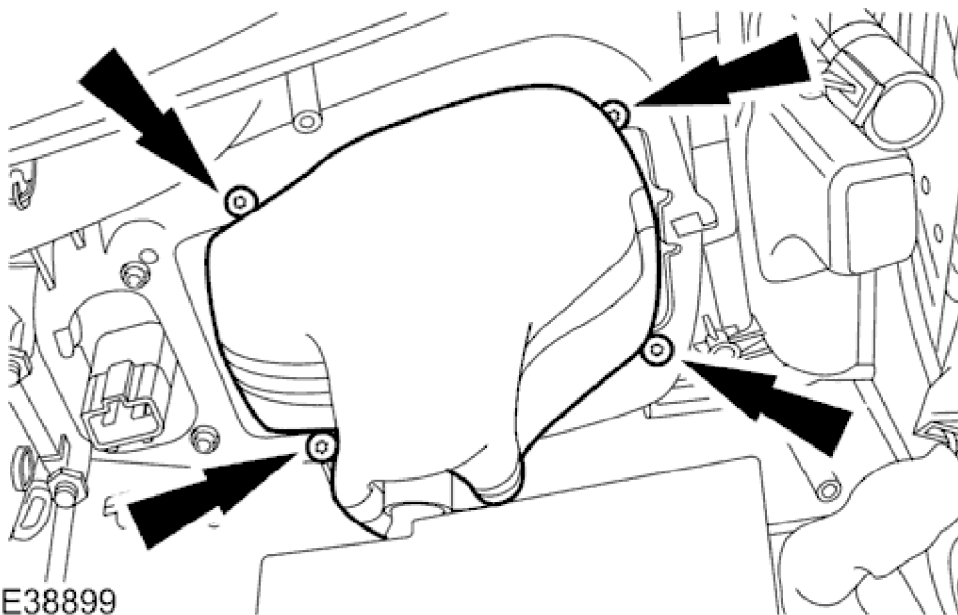
2002 S-TYPE - Instrument Panel and Console - 501-12



VUJ0000743

5. Disconnect the transmission mode, traction control and cellular phone electrical connectors if equipped.

Vehicles with manual transmission

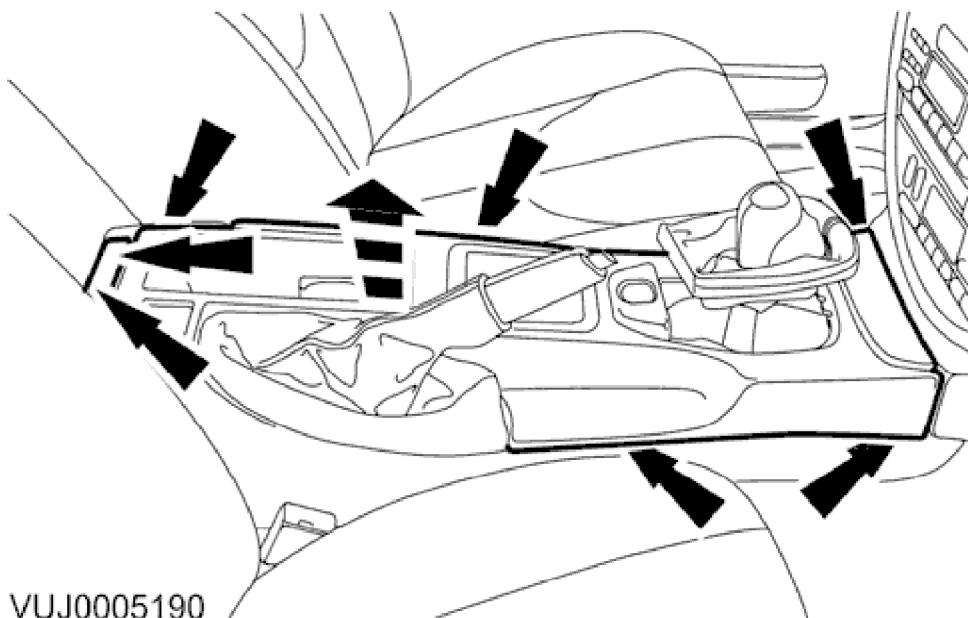


E38899

6. Detach the transmission selector lever boot.

All vehicles

2002 S-TYPE - Instrument Panel and Console - 501-12

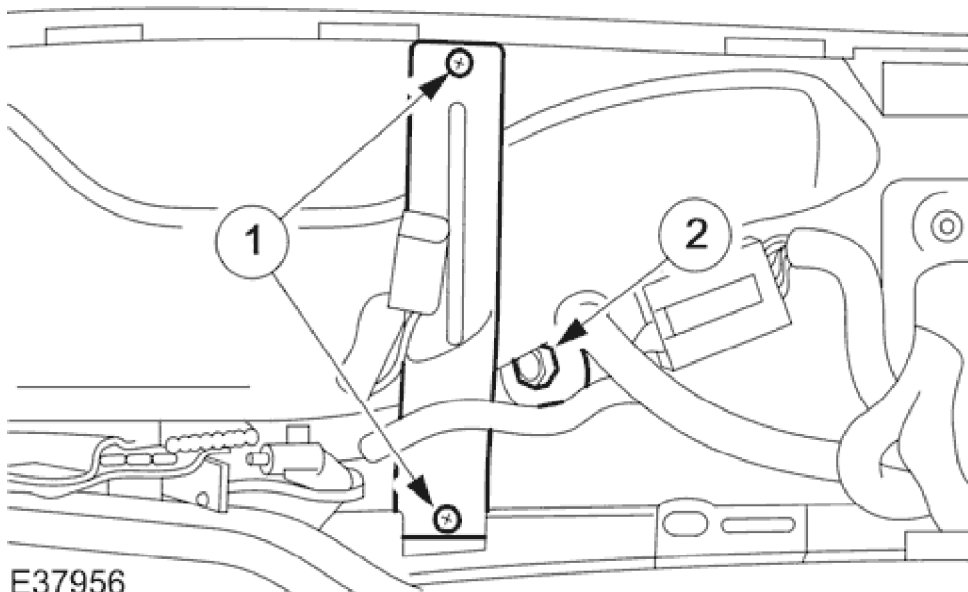


VUJ0005190

7. NOTE:

Vehicles with manual transmission shown, vehicles with automatic transmission similar.

Remove the floor console upper section.

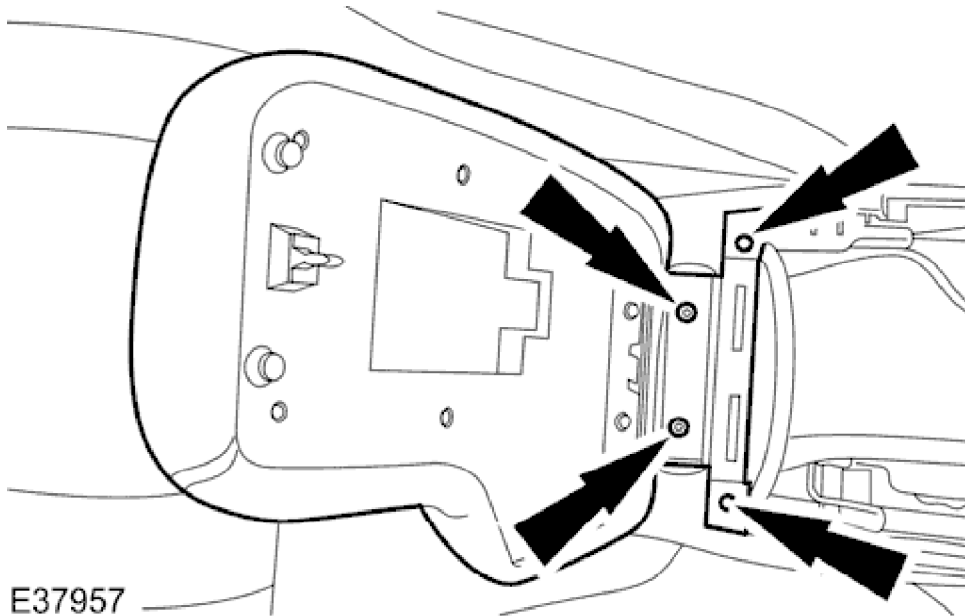


E37956

8. Detach the floor console retaining bracket.

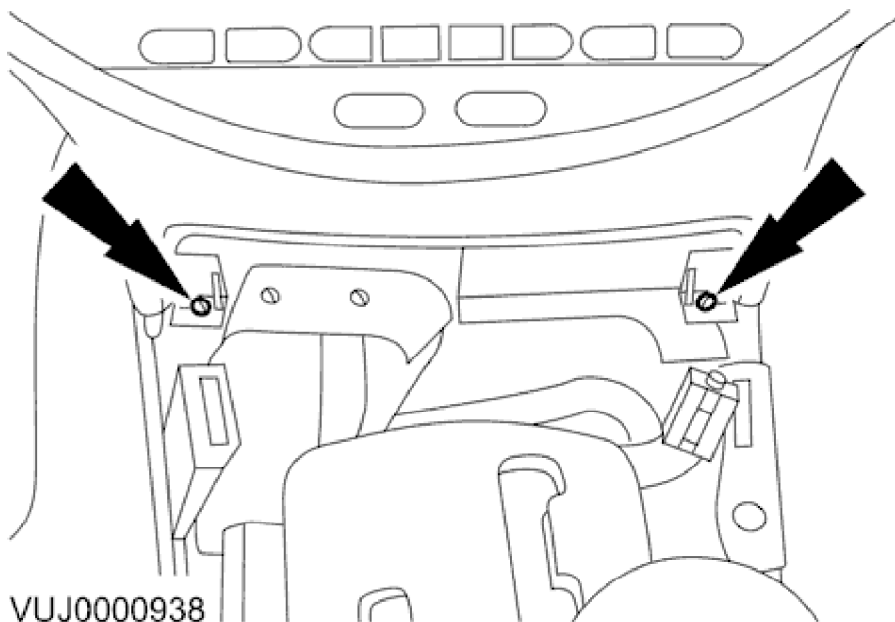
1. Remove the lower floor console retaining bracket retaining screws.
2. Detach the lower floor console retaining bracket.

2002 S-TYPE - Instrument Panel and Console - 501-12



E37957

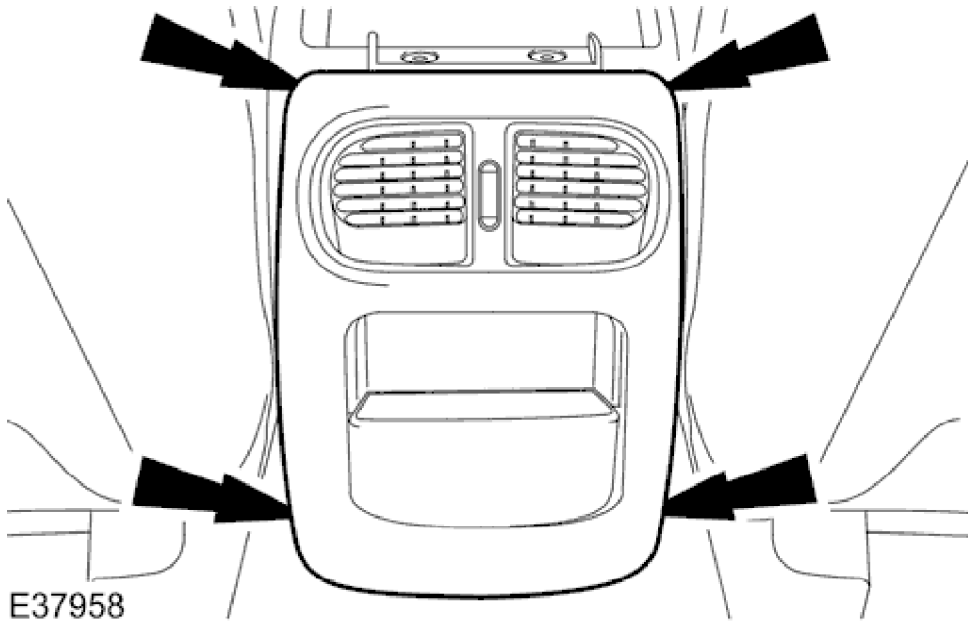
9. Remove the floor console glove compartment lid.



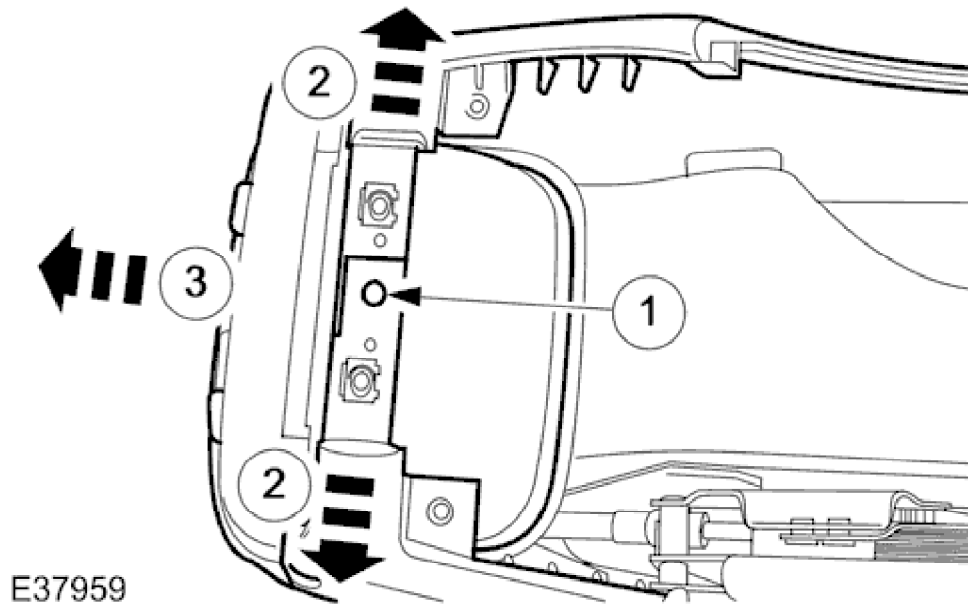
VUJ0000938


10. Remove the floor console front retaining screws.

2002 S-TYPE - Instrument Panel and Console - 501-12



11. Release the floor console rear air register trim panel retaining tangs.

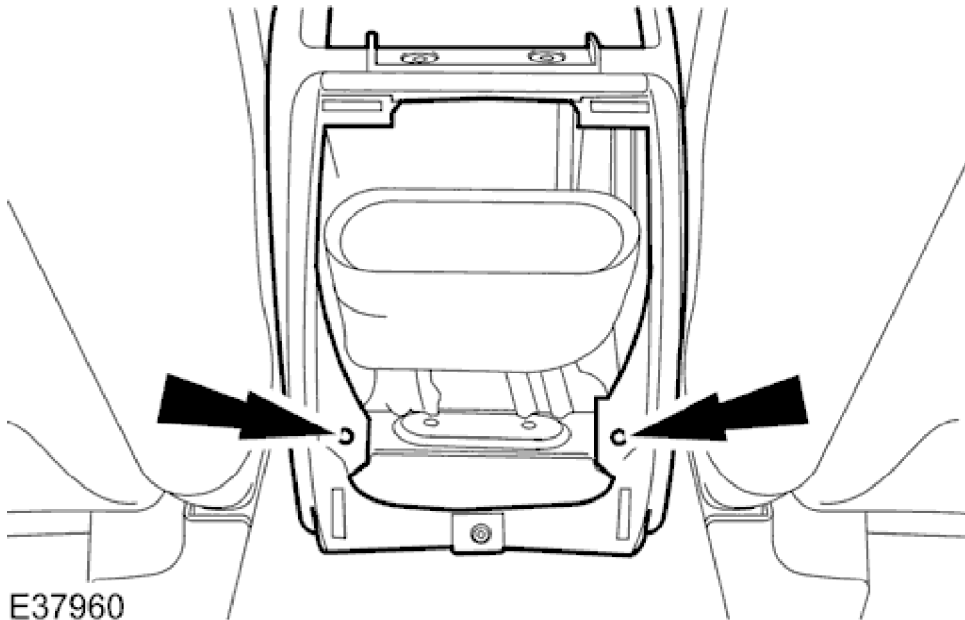


12.  **CAUTION:**
Make sure the floor console rear air register distribution duct retaining tangs are not damaged when the floor console rear air register trim panel is removed. Failure to follow this instruction may result in damage to the vehicle.

Remove the floor console rear air register trim panel.
1. Release the floor console rear retaining tang.

2002 S-TYPE - Instrument Panel and Console - 501-12

2. Reposition the floor console side trim panels.
3. Remove the floor console rear air register trim panel.



13. Remove the floor console.

Installation

1. NOTE:

Make sure the floor console rear air register trim panel retaining clips are installed into the floor console.

To install, reverse the removal procedure.