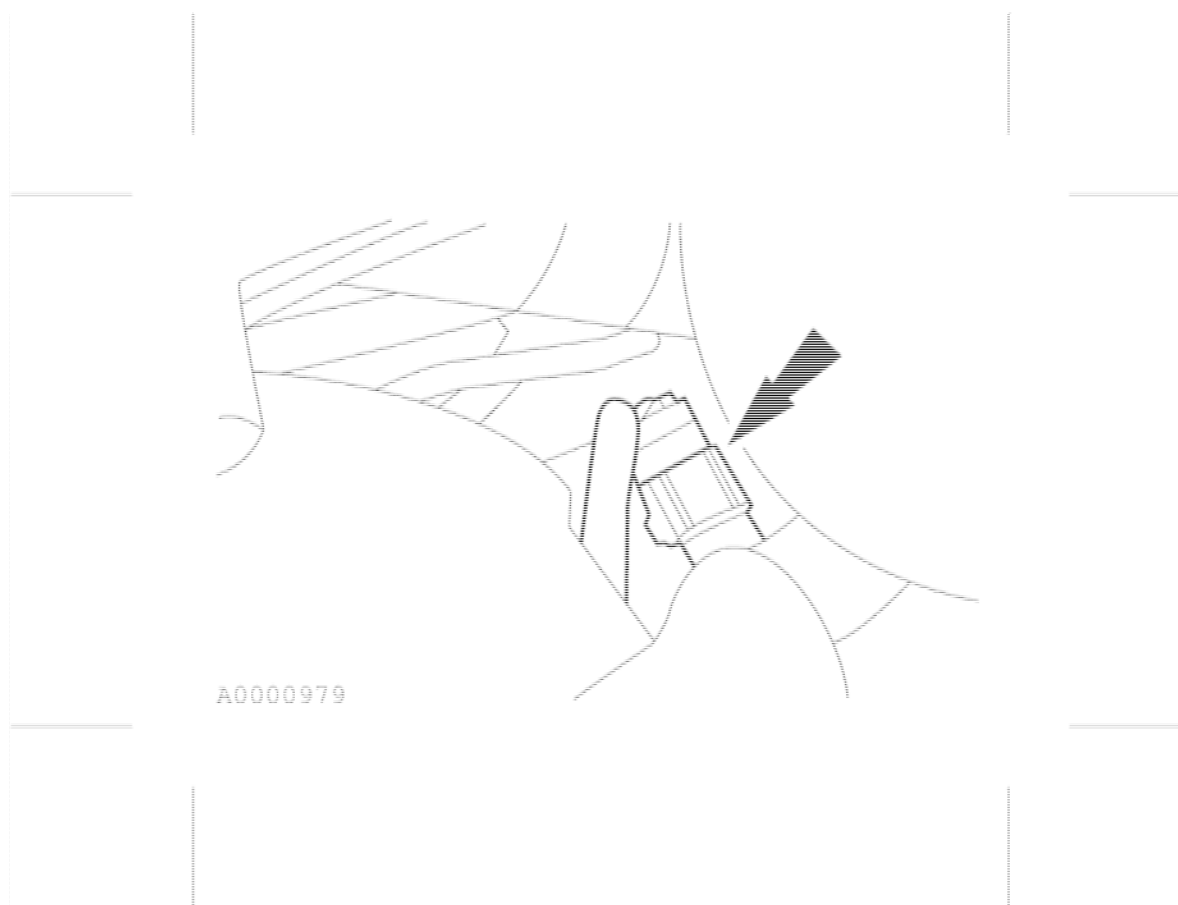


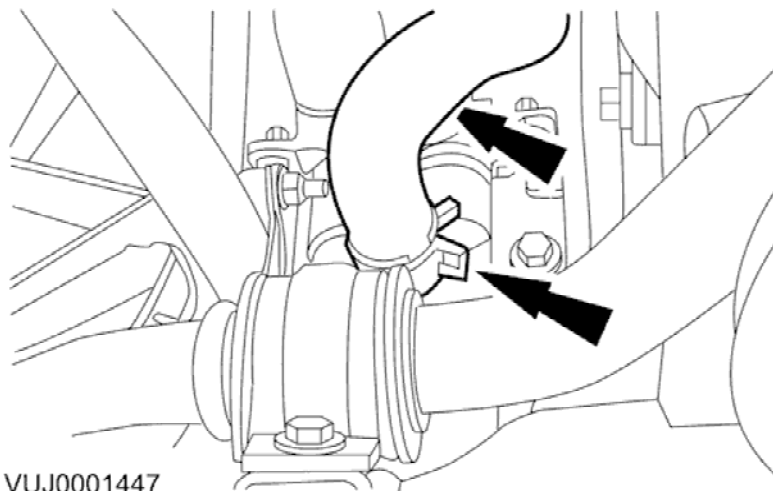
Dual Coolant Flow Valve 82.20.33

Removal

1. Drain the cooling system. For additional information, refer to <<303-03>>
2. Remove the air intake tube. For additional information, refer to <<303-12A>><<303-12B>> . For additional information, refer to
3. Remove the receiver drier. For additional information, refer to<<412-03>>
4. If equipped with 4.0L engine, remove the auxiliary coolant pump. For additional information refer to <<Pump—Auxiliary Coolant Flow, 4.0L>>

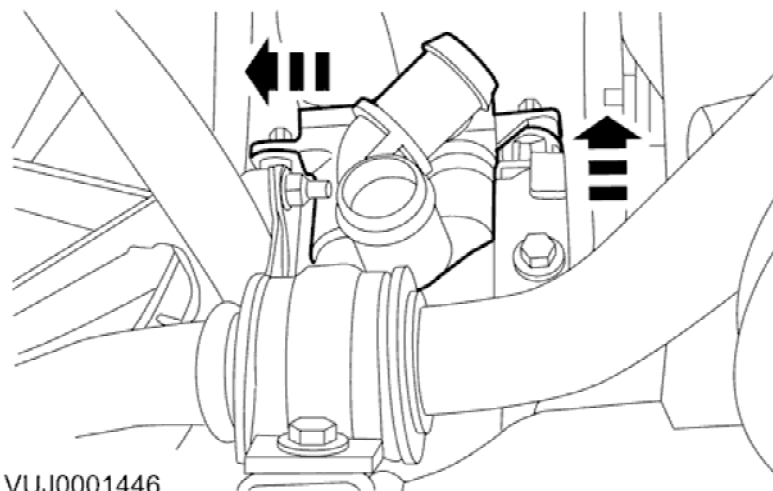


5. Disconnect the dual coolant flow valve electrical connector.



VUJ0001447

6. Disconnect the supply and return hoses.



VUJ0001446

7. Remove the dual coolant flow valve.

Installation

1. To install, reverse the removal procedure.

Evaporator Core Housing 80.20.01