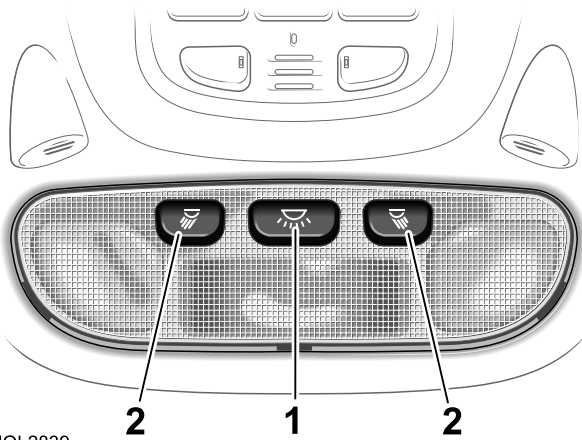


# Interior Lighting

## Front Lighting



JOL2839

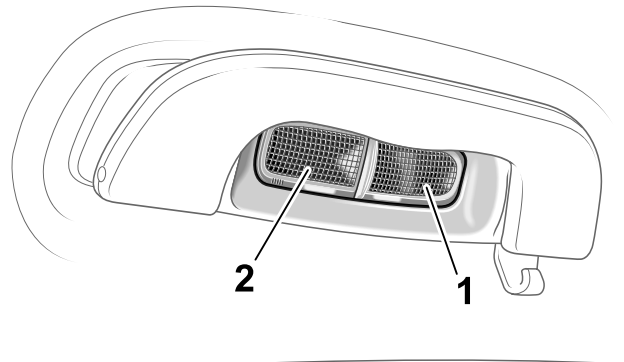
Interior lighting comprises, front and rear overhead courtesy lights, two front reading/map lights and front puddle lights. Vanity mirrors, glove compartment, footwell and luggage compartment lights are also provided.

Press the centre switch (1) in the front roof console to turn the front and rear courtesy lights, puddle lights and footwell lights on. A second press turns the lights off. The lights also operate to illuminate the vehicle interior when a door is opened.

## Reading/Map Lighting

The reading/map lights are turned on and off by individual switches, (2) on the front overhead console.

## Rear Lighting



JOL2840

The rear reading/map lights (1) can be switched on or off by pressing the lens cover.

The rear courtesy lights (2) are turned on or off by the centre switch in the front roof console or when a rear door is opened.

## Illuminated Entry/Exit

When the vehicle is unlocked the courtesy lights will gradually illuminate and remain on for 20 seconds.

If the courtesy lights are on they will fade off 20 seconds after the last door is closed, or when the vehicle is locked.

## Battery Saver

If the ignition switch is turned to position '0' and the interior lights are switched on using the centre switch in the overhead console or by opening a door, the lights will automatically turn OFF after 10 minutes.

If the glove compartment lights, luggage compartment lights, front/rear reading/map lights or vanity lights are switched on, and the ignition switch is turned to position '0' or the key is removed, the lights will automatically turn OFF after 40 minutes.