

Engine Cover – Rubber Retaining Plug

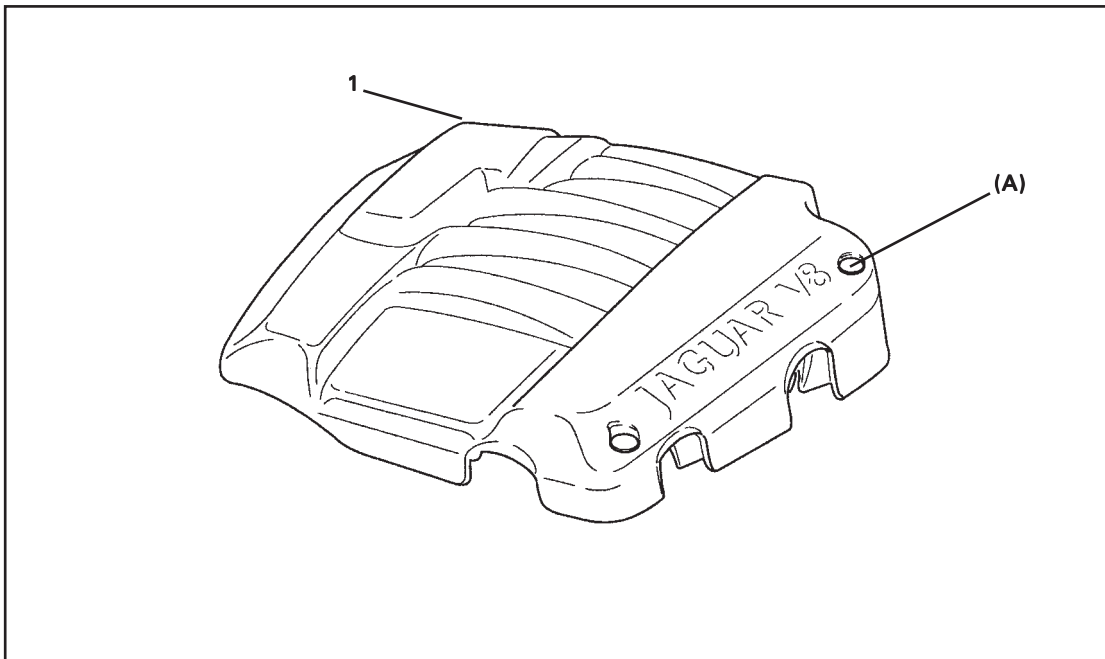
MODEL 2000 MY-ON  
S-TYPE

VIN

L00001-ON

FICHE: JLM 21021/FB (RTC9200/FA)  
SECTION: ENGINE  
FRAME: 1-D03

The part number and illustrations for the engine cover retaining plugs are missing from the above fiche frame. Refer to this bulletin until the fiche text is updated.



ILL #	PART NUMBER	DESCRIPTION	QTY
1	XR8 7427	Engine cover	(1)
(A)	NJA 6790CC	Rubber retaining plug	(4)