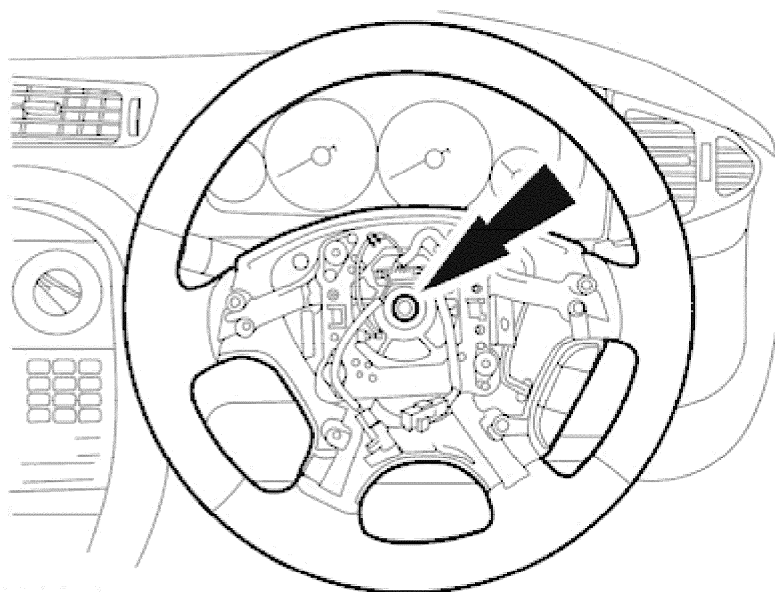


Steering Wheel 57.60.01

Removal

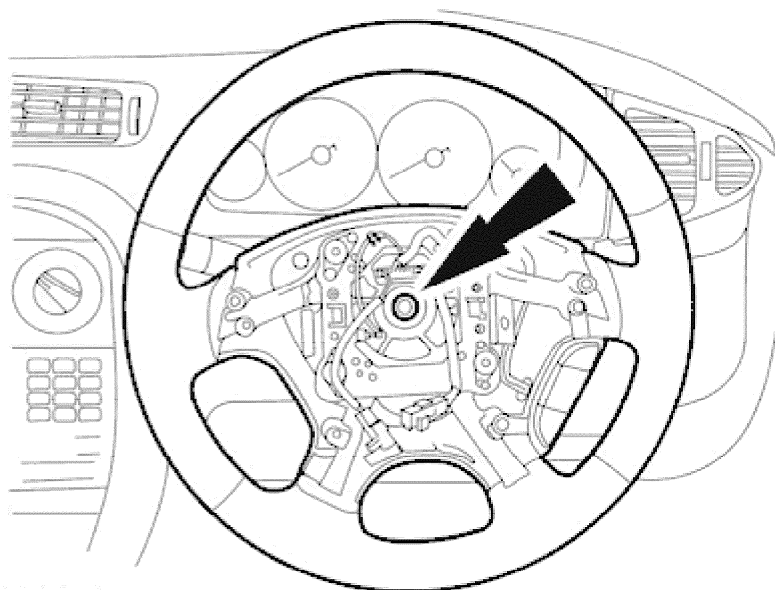
1. Remove the driver airbag module. For additional information, refer to<<501-20A>><<501-20B>> .
2. Position the front wheels in a straight ahead position and centralize steering wheel.



VUJ0002650

3. Remove the steering wheel.
4. Using a suitable insulation/masking tape, secure the cassette module to prevent movement from the centralized position.

Installation



VUJ0002650

1. To install, reverse the removal procedure.
 - Tighten to 47 Nm.