



X-TYPE

DATE 12/03

XT310-03

SERVICE

TECHNICAL BULLETIN

Fuel Tank Removal/Installation – Revised Procedure

MODEL 2002 MY-ON
X-TYPE

VIN C00001-ON

Issue:

This Technical Bulletin has been issued to inform the dealer network of a new workshop procedure for removing and installing the fuel tank.

Action:

To remove and install the fuel tank, follow the workshop procedure outlined below.

Note: The Repair Operation Times that will be affected by this new workshop procedure are listed at the end of this bulletin.

WORKSHOP PROCEDURE

Removal

- ⚠ Warning: Place the vehicle in a well ventilated, quarantined area and arrange 'no smoking/petrol fumes' signs about the vehicle.
- ⚠ Warning: Before any work is carried out on the fuel system, ground the vehicle to earth and maintain the ground connection until the work is complete.
- ⚠ Warning: Do not smoke or carry lighted tobacco or an open flame of any type when working on or near any fuel related components. Highly flammable vapors are always present and can ignite. Failure to follow these instructions may result in personal injury.
- ⚠ Warning: Do not carry or operate cellular phones when working on or near any fuel related components. Highly flammable vapors are always present and can ignite. Failure to follow these instructions may result in personal injury.
- ⚠ Warning: This procedure involves fuel handling. Be prepared for fuel spillage at all times and always observe fuel handling precautions. Failure to follow these instructions can result in personal injury.

NOTE: The information in Technical Bulletins is intended for use by trained, professional technicians with the knowledge, tools, and equipment to do the job properly and safely. It informs these technicians of conditions that may occur on some vehicles, or provides information that could assist in proper vehicle service. The procedures should not be performed by "do-it-yourselfers." Do not assume that a condition described affects your car. Contact a Jaguar retailer to determine whether the Bulletin applies to your vehicle.

Workshop Procedure

Removal

All vehicles.

1. Disconnect the battery (see Workshop Manual, JTIS CD ROM, section: 414-01, General Procedures).
2. Remove the fuel filler cap.
3. Depressurize the fuel system (see Workshop Manual, JTIS CD ROM, section: 310-00, General Procedures).
4. Remove the rear seat cushion (see Workshop Manual, JTIS CD ROM, section: 501-10, SRO 76.70.37).
5. Detach the wiring harness grommet (Illustration 1).

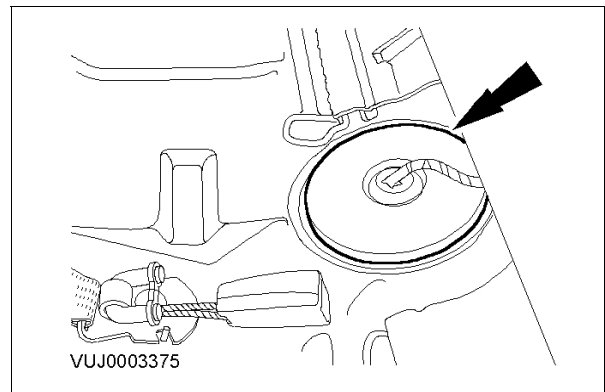


Illustration 1

6. Detach the electrical connector (Illustration 2).

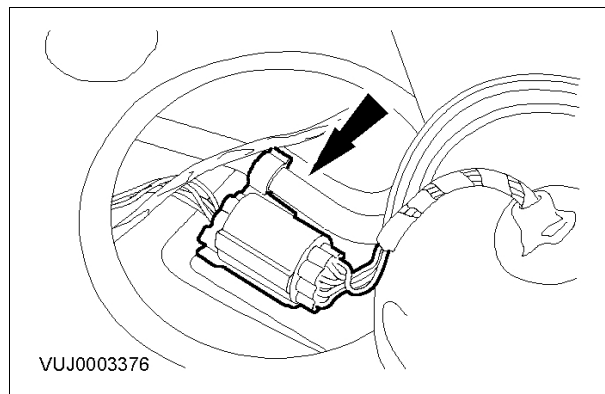


Illustration 2

7. Disconnect the electrical connector (Illustration 3).

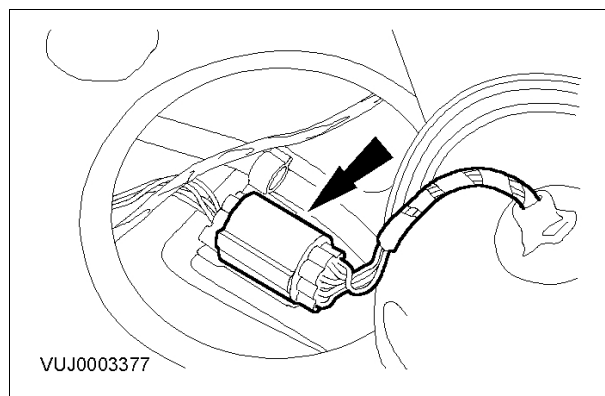


Illustration 3

- Using a suitable suction device drain any fuel that might be in the fuel tank filler pipe (Illustration 4).

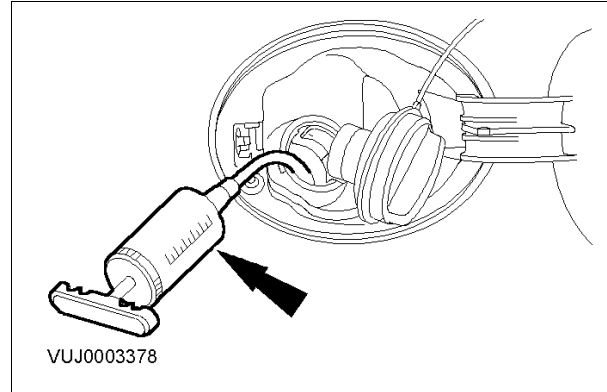


Illustration 4

- Raise vehicle on two-post ramp.

Warning! To prevent the vehicle becoming unstable when the fuel tank has been removed, install the vehicle tie-down straps.

- Remove the driveshaft (see Workshop Manual, JTIS CD ROM, section: 205-01, SRO 47.15.01).
- Remove the front muffler (see Workshop Manual, JTIS CD ROM, section: 309-00, SRO 30.10.18).
- Using the special tool, support the rear drive axle/differential (Illustration 5).

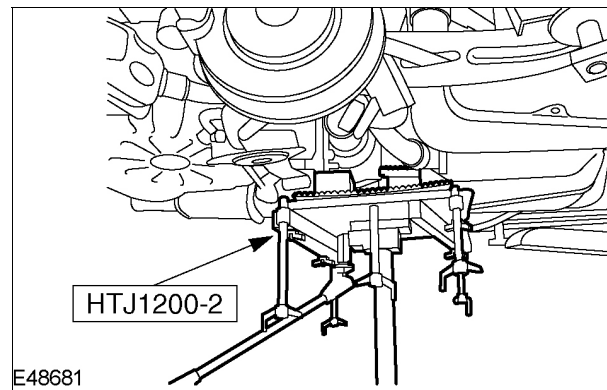


Illustration 5

- Remove the rear drive axle/differential rear retaining bolt (Illustration 6).

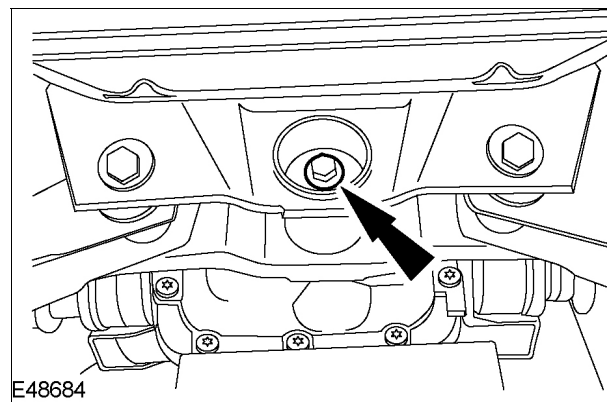


Illustration 6

14. Remove the rear drive axle/differential front retaining bolts (Illustration 7).

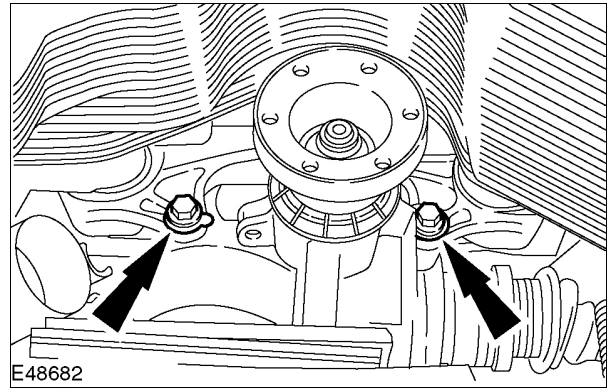


Illustration 7

15. Using the special tool, lower the rear drive axle/differential approximately 75 mm (2.95 inches).
16. Install the chain supplied with the special tool: HTJ1200-2 to the rear drive axle/differential front support bracket (Illustration 8).

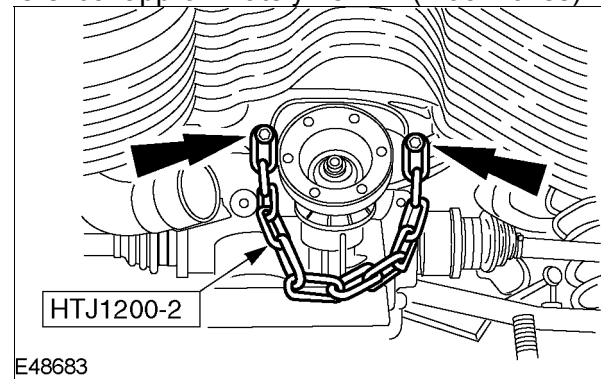


Illustration 8

17. Install the securing strap supplied with the special tool: HTJ1200-2 to the rear drive axle/differential (Illustration 9).

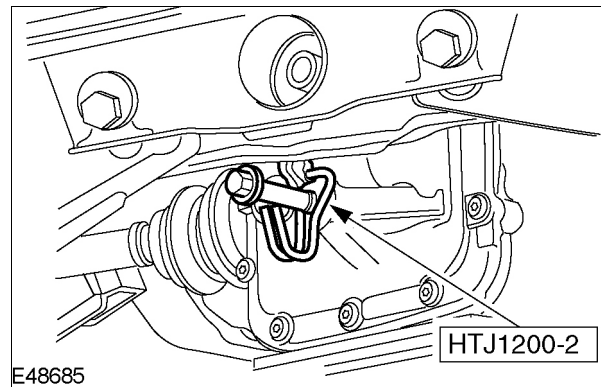


Illustration 9

18. Attach the securing strap supplied with the special tool: HTJ1200-2 to the rear towing eye thread and support the rear drive axle/differential (Illustration 10).

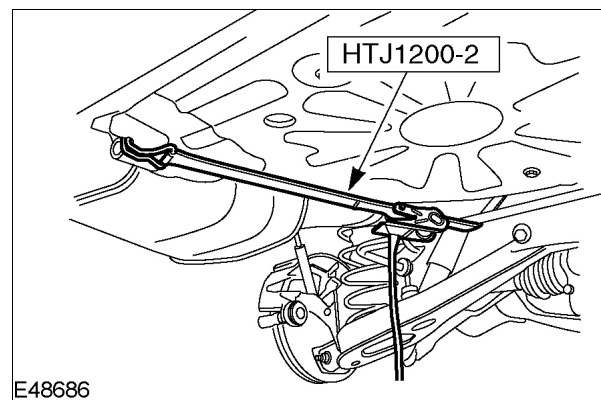


Illustration 10

19. Remove the special tool: HTJ1200-2.

20. Slacken the fuel filler pipe hose to fuel tank securing clip (see Fig 11).

Note: Note the orientation of the fuel tank filler pipe to the fuel tank hose retaining clip before loosening.

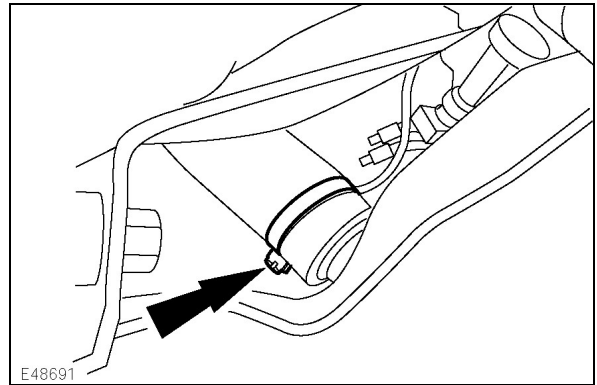


Illustration 11

21. Disconnect the evaporative emissions canister purge hose quick release coupling (Illustration 12).

Note: For additional information refer to Quick Release Coupling (see Workshop Manual, JTIS CD ROM, section: 310-00).

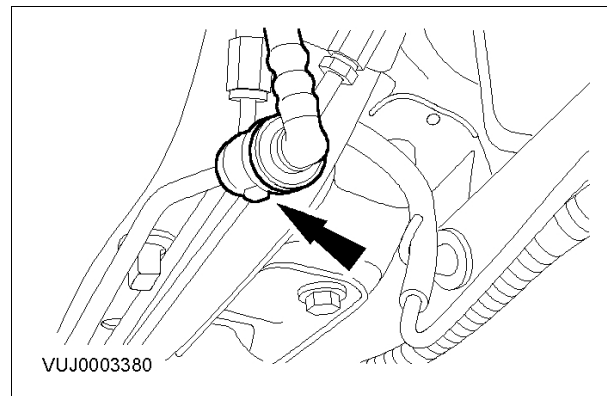


Illustration 12

22. Disconnect the fuel filter line quick release coupling (Illustration 13).

Note: Install blanking plugs to the male and female connectors.

Note: For additional information refer to Quick Release Coupling (see Workshop Manual, JTIS CD ROM, section: 310-00).

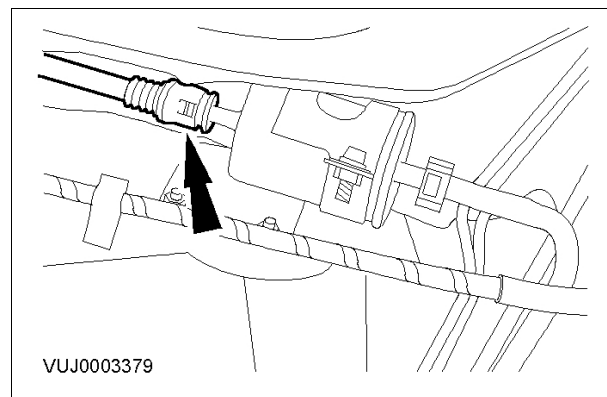


Illustration 13

23. Disconnect the evaporative emissions canister close valve electrical connector (Illustration 14).

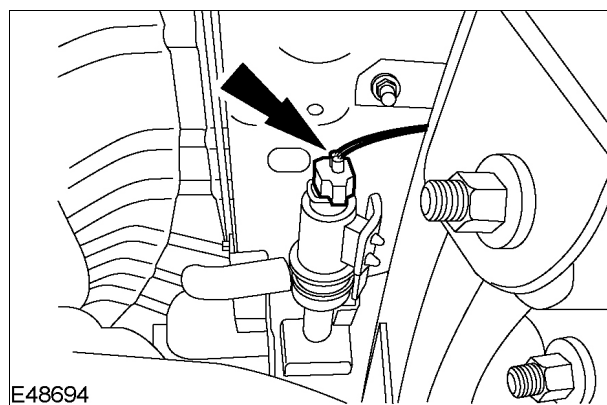


Illustration 14

24. On vehicles from VIN D55322 only, detach the evaporative emissions canister purge hose from the fuel tank (Illustration 15).

Note: Carry out this step on vehicles from VIN D55322 only.

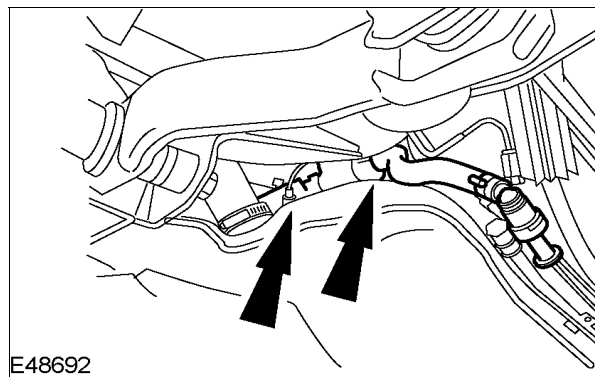


Illustration 15

CAUTION: Use packing blocks supplied with special tool: HTJ1200-2 to prevent damage to the underside of the fuel tank.

25. Using the special tool, support the fuel tank (Illustration 16).

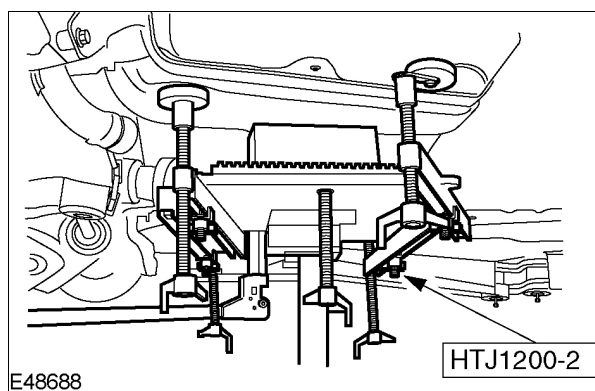


Illustration 16

26. Remove the fuel tank support straps securing bolts (Illustration 17).

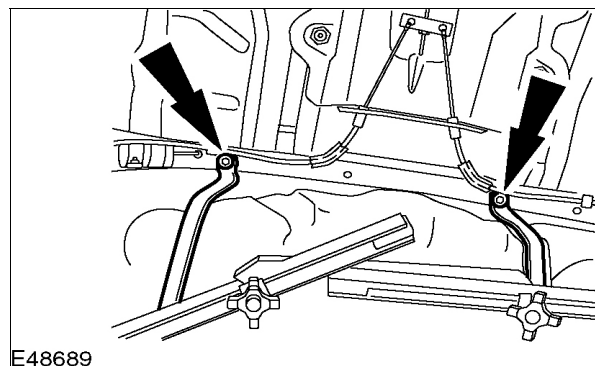


Illustration 17

27. Remove the fuel tank support straps (Illustration 18) right-hand shown, left-hand similar.

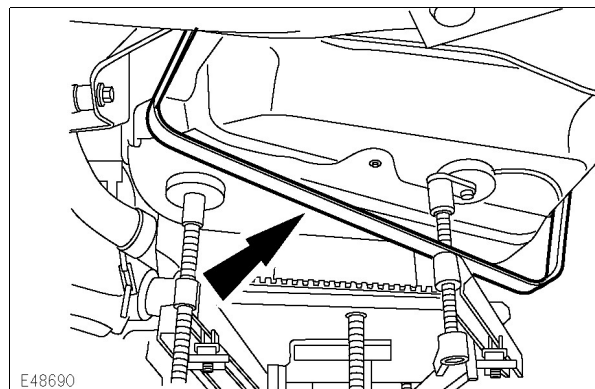


Illustration 18

30. Using the special tool lower the fuel tank approximately 75 mm (2.95 inches) on vehicles **up to VIN D55321**, lower the fuel tank approximately 100mm (3.94 inches) on vehicles **from VIN D55322**.
31. Install the securing strap supplied with the special tool: HTJ1200-2 to secure the fuel tank to the special tool (Illustration 19).

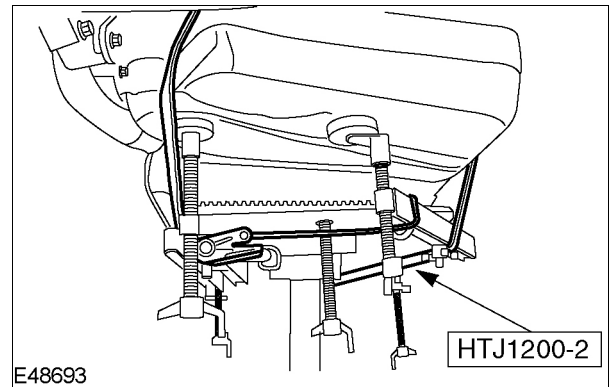


Illustration 19

32. Disconnect the evaporative emissions canister purge hose from the evaporative emissions canister (vehicles **up to VIN D55321** Illustration 20), (vehicles **from VIN D55322** Illustration 21).

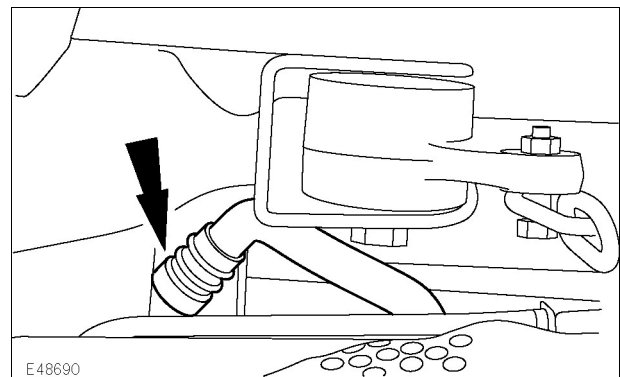


Illustration 20

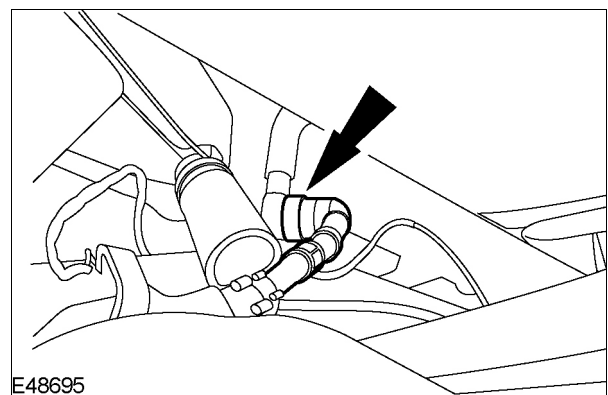


Illustration 21

33. Disconnect the fuel filler pipe hose from the fuel tank and install blanking plugs.

Warning: The fuel tank cannot be drained in vehicle. Due to the heavy weight, ensure that the fuel tank is securely attached to the special tool: htj1200-2 when removing. Failure to follow this instruction can result in personal injury.

34. Using the special tool remove the fuel tank (Illustration 22).

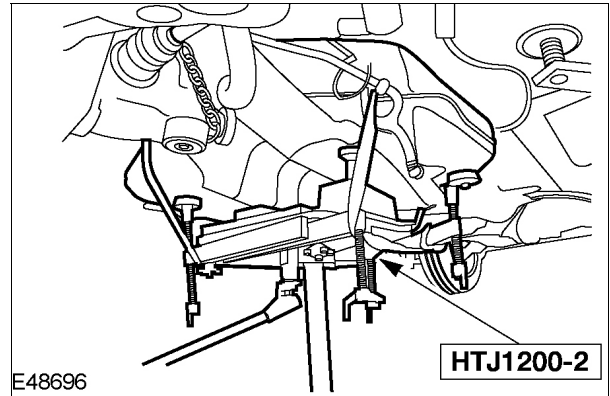


Illustration 22

Installation

1. Install fuel tank to special tool: HTJ1200-2.
2. Using the special tool, position the fuel tank approximately 75 mm (2.95 inches) lower than the fully installed position for **vehicles up to VIN D55321**, (Illustration 24). Position the fuel tank approximately 100 mm (3.94 inches) lower than the fully installed position for **vehicles from VIN D55322** (Illustration 23).

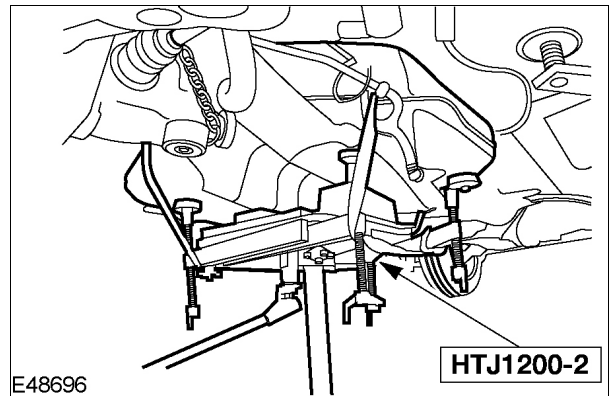


Illustration 23

3. Connect the evaporative emissions canister purge hose to the canister.

On all vehicles.

4. Remove the securing strap from the fuel tank and special tool HTJ1200-2.
5. Remove blanking plugs from the fuel tank and fuel filler pipe hose.
6. Raise fuel tank to fully installed position.

Note: Ensure the fuel filler pipe hose is installed to the fuel tank as it is raised.

7. Install the fuel tank support straps.
8. Install and fully tighten fuel tank support straps securing bolts to 25 Nm (Illustration 24).

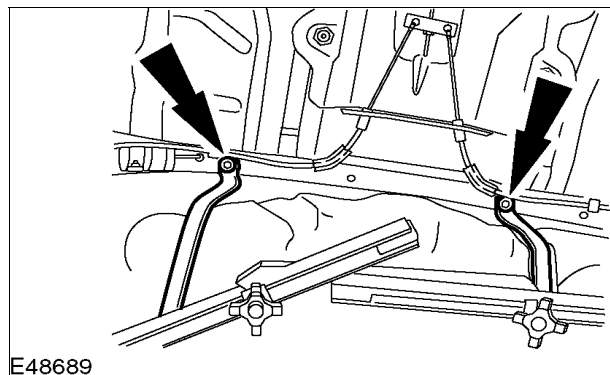


Illustration 24

9. Remove the special tool: HTJ1200-2 from under fuel tank.

10. On vehicles from VIN D55322 only, attach the evaporative emissions canister purge hose to the fuel tank (Illustration 25).

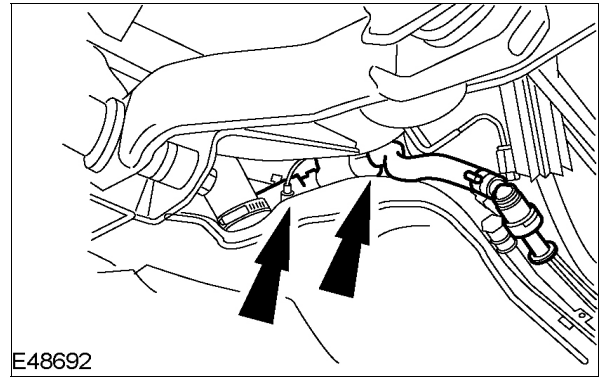


Illustration 25

11. Connect the evaporative emissions canister close valve electrical connector.
12. Remove blanking plugs and connect the fuel filter line quick release coupling.
13. Connect the evaporative emissions canister purge hose quick release coupling.
14. Fully tighten the fuel filler pipe hose to fuel tank securing clip to 3 Nm (Illustration 26).

Note: Ensure the fuel tank filler pipe to fuel tank hose retaining clip is correctly orientated.

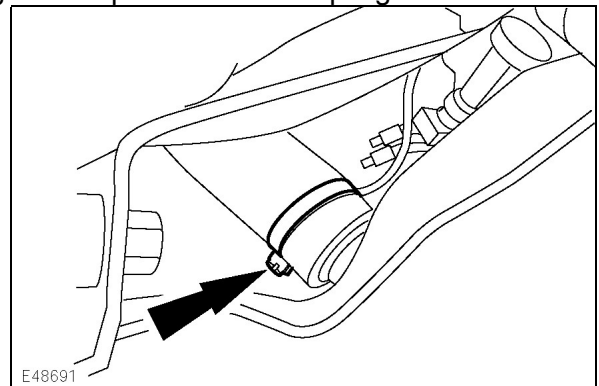


Illustration 26

15. Using the special tool: HTJ1200-2 support the rear drive axle/differential.
16. Detach the securing strap from the rear towing eye thread.
17. Remove the securing strap from the rear drive axle/differential and discard the rear retaining bolt and washer.
18. Install a new rear drive axle/differential washer (Illustration 27).

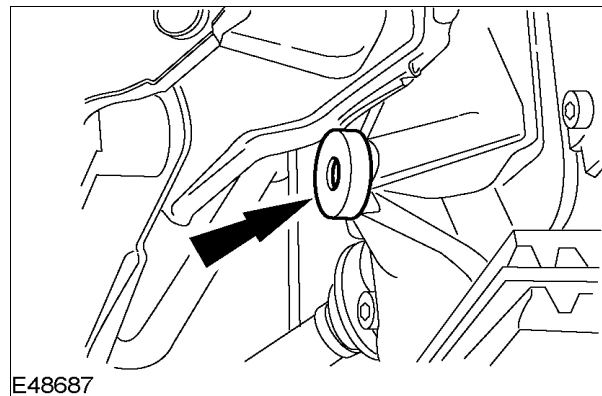


Illustration 27

19. Remove the chain from the rear drive axle/differential front support bracket.
20. Raise rear drive axle/differential to fully installed position.
21. Install, but do not fully tighten, rear drive axle/differential front retaining bolts.
22. Install and fully tighten rear drive axle/differential new rear retaining bolt to 110 Nm.
23. Final tighten rear drive axle/differential front retaining bolts to 90 Nm.
24. Remove the special tool: HTJ1200-2 from under rear drive axle/differential.
25. Install the front muffler (see Workshop Manual, JTIS CD ROM, section: 309-00, SRO 30.10.18).

26. Install the driveshaft using new bolts (see Workshop Manual, JTIS CD ROM, section: 205-01, SRO 47.15.01).
27. Remove the vehicle tie-down straps and lower the vehicle.
28. Connect the electrical connector (Illustration 28).

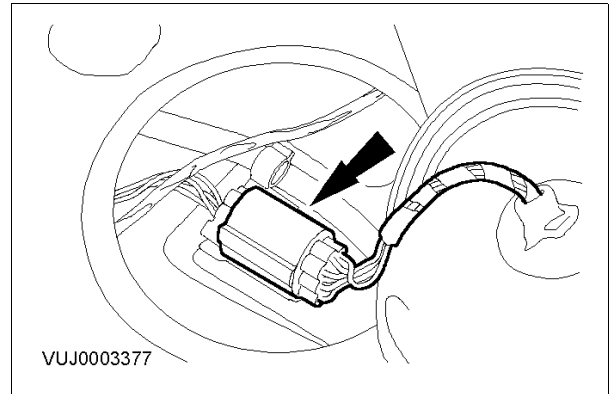


Illustration 28

29. Attach the electrical connector (Illustration 29).

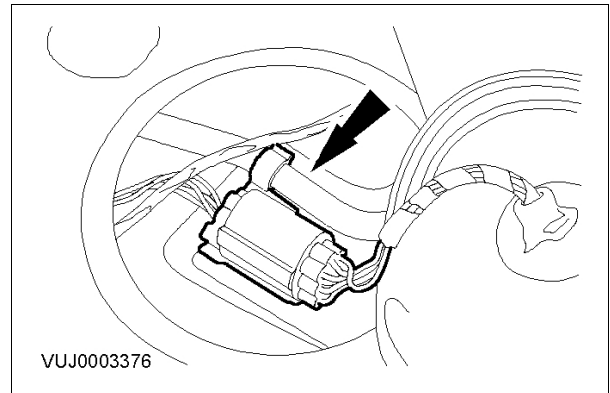


Illustration 29

30. Attach the wiring harness grommet.
31. Install the rear seat cushion (see Workshop Manual, JTIS CD ROM, section: 501-10, SRO 76.70.37).
32. Fill the fuel tank with any fuel that was drained from the filler pipe and install filler cap.
33. Connect battery (see Workshop Manual, JTIS CD ROM, section: 414-01, General Procedures).

Affected Repair Operation Times

| SRO | Description | VIN Range | Country | Old Time | New Time |
|-------------|---|-----------------|----------|----------|----------|
| 17.15.13 | Absorption canister-Renew | C00001 - D55321 | USA only | 4.1 | 4.3 |
| 17.15.13 | Absorption canister-Renew | D55322 - ON | USA only | N/A | 4.3 |
| 19.45.08 | Fuel pump-renew | C00001 - D55321 | All | 4.6 | 3.2 |
| 19.45.08 | Fuel pump-renew | D55322 - ON | USA only | N/A | 2.9 |
| 19.45.21 | Jet pump-renew | C00001 - D55321 | All | 4.3 | 3.0 |
| 19.45.21 | Jet pump-renew | D55322 - ON | USA only | N/A | 3.1 |
| 19.45.22 | Jet pump flange seal-renew | C00001 - D55321 | All | 4.3 | 3.0 |
| 19.45.22 | Jet pump flange seal-renew | D55322 -ON | USA only | N/A | 3.1 |
| 19.45.23 | Fuel pump flange seal-renew | C00001 - D55321 | All | 3.8 | 3.2 |
| 19.45.23 | Fuel pump flange seal-renew | D55322 - ON | USA only | N/A | 2.9 |
| 19.55.01 | Fuel tank-renew | C00001 - D55321 | All | 4.5 | 3.3 |
| 19.55.01 | Fuel tank-renew | D55322 - ON | USA only | N/A | 3.2 |
| 19.55.01.01 | As 19.55.01 Remove for access and install | C00001 -D55321 | All | 4.0 | 2.8 |
| 19.55.01.01 | As 19.55.01 Remove for access and install | D55322 - ON | All | N/A | 2.7 |
| 19.55.31 | Fuel tank pressure sensor-renew | C00001 - D55321 | USA only | 3.3 | 2.9 |
| 19.55.31 | Fuel tank pressure sensor-renew | D55322 - ON | USA only | N/A | 2.8 |