

Colour codes

W	White	O	Orange
U	Blue	R	Red
Y	Yellow	K	Pink
N	Brown	G	Green
B	Black	P	Purple
S	Slate	L	Light

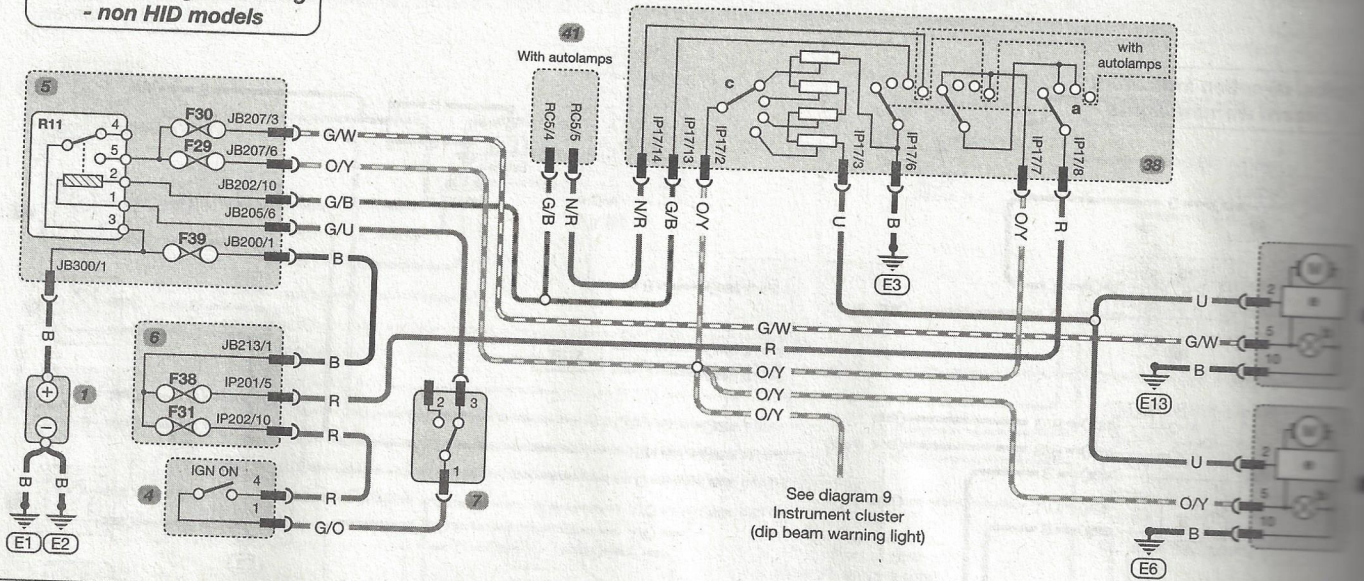
Key to items

- 1 Battery
- 4 Ignition switch
- 5 Engine fusebox
- R11 = dip beam relay
- R13 = slave ignition relay
- 6 Passenger fusebox
- R5 = ignition relay
- 7 Inertia switch

- 35 LH headlight unit
- b = dip beam
- e = headlight levelling motor
- 36 RH headlight unit
- (b and e as above)
- 38 Lighting switch
- a = side/headlight switch
- c = headlight levelling adjuster

Diagram 8

Typical headlight levelling - non HID models



Typical headlight levelling - HID models

