

SERVICE

ADMINISTRATION BULLETIN

New Special Tools – Pre-Terminated Head Lamp Connectors/Fuel Module Ring Remover Installer

MODEL 2002MY-ON
X-TYPE
VIN

Issue:

The following new mandatory tools have been released by Jaguar Cars.

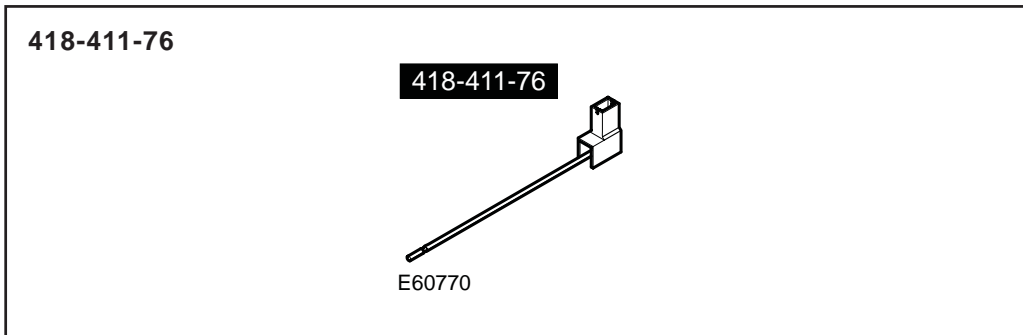
Tool No. Description

- 418-411-76 Pre-Terminated Connector Head Lamp (X-TYPE)
- 418-411-77 Pre-Terminated Connector Head Lamp (X-TYPE)
- 310-147 Remover/Installer Fuel Module Ring (North American Markets ONLY)

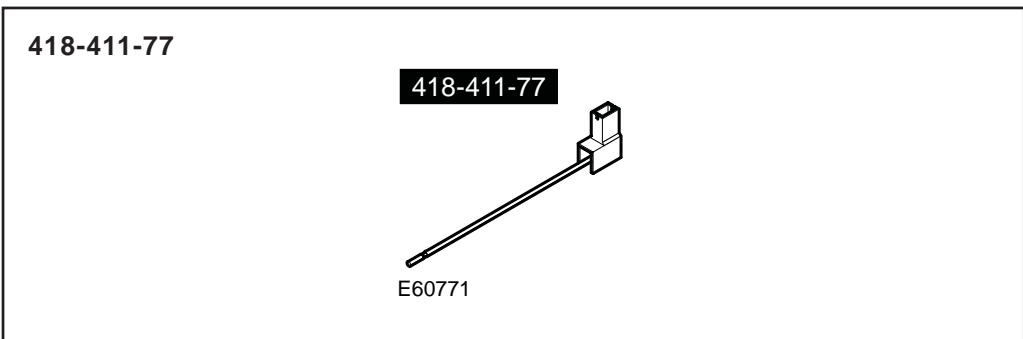
Action:

The two new pre-terminated terminals must be stored in the Jaguar 418-S411-01 case.

Pre-Terminated Connector Head Lamp (X-TYPE) ground connector

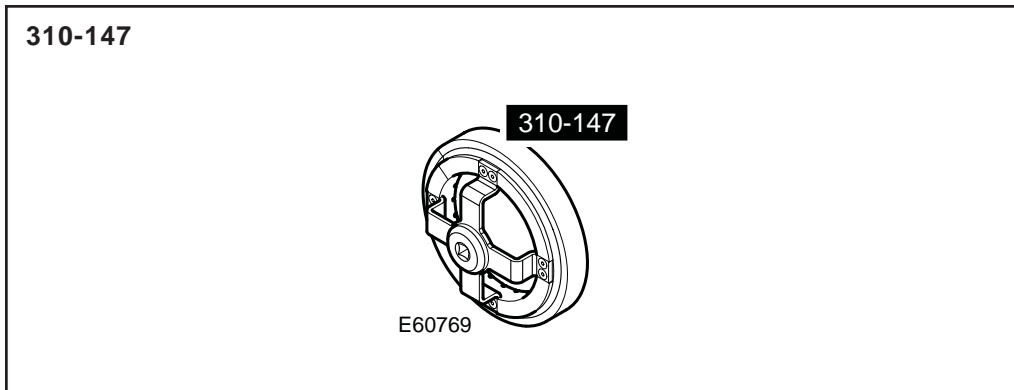


Pre-Terminated Connector Head Lamp (X-TYPE) Bulb connector



Remover/Installer Fuel Module Ring

There is a new fuel module locking ring removal/installation tool (310-147) as the current tool is susceptible to damaging the module.



Additional supply of the items listed above can be ordered by calling the SPX customer support line at 1-800-533-5338.

Ensure that these service items have been supplied and free of damage within your shipment. To report any damage or discrepancy pertaining to your shipment, please contact the SPX customer support line at 1-800-533-5338. Any claim against this shipment must be made within 30 days of receipt at your facility.