

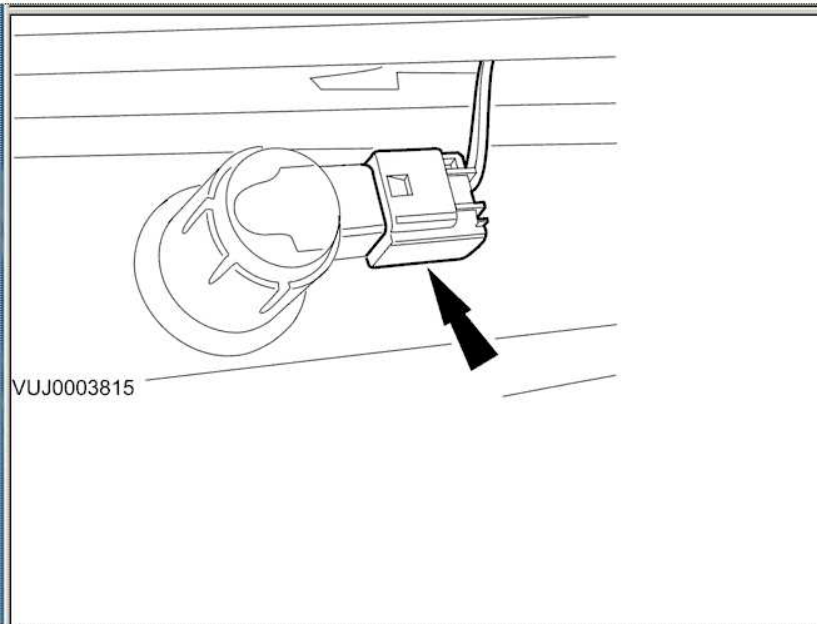
### Parking Aid Sensor 86.62.01

**Removal**

1. Detach the bumper lower black out panel.
2. Disconnect the electrical connector.
3. **CAUTION:**  
 Make sure excessive pressure or tools are not used when removing the sensor from the sensor housing.  
 Remove the sensor.
  - Unclip the sensor from the sensor housing.

**Installation**

1. To install, reverse the removal procedure.



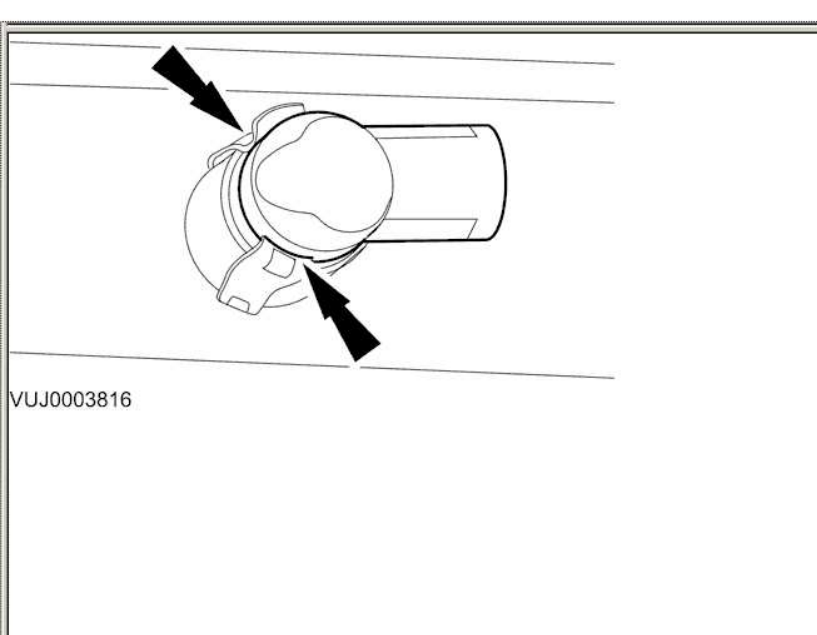
### Parking Aid Sensor 86.62.01

**Removal**

1. Detach the bumper lower black out panel.
2. Disconnect the electrical connector.
3. **CAUTION:**  
 Make sure excessive pressure or tools are not used when removing the sensor from the sensor housing.  
 Remove the sensor.
  - Unclip the sensor from the sensor housing.

**Installation**

1. To install, reverse the removal procedure.



### Parking Aid Sensor 86.62.01

**Removal**

1. Detach the bumper lower black out panel.
2. Disconnect the electrical connector.
3. **CAUTION:**  
 Make sure excessive pressure or tools are not used when removing the sensor from the sensor housing.  
 Remove the sensor.
  - Unclip the sensor from the sensor housing.

**Installation**

1. To install, reverse the removal procedure.

