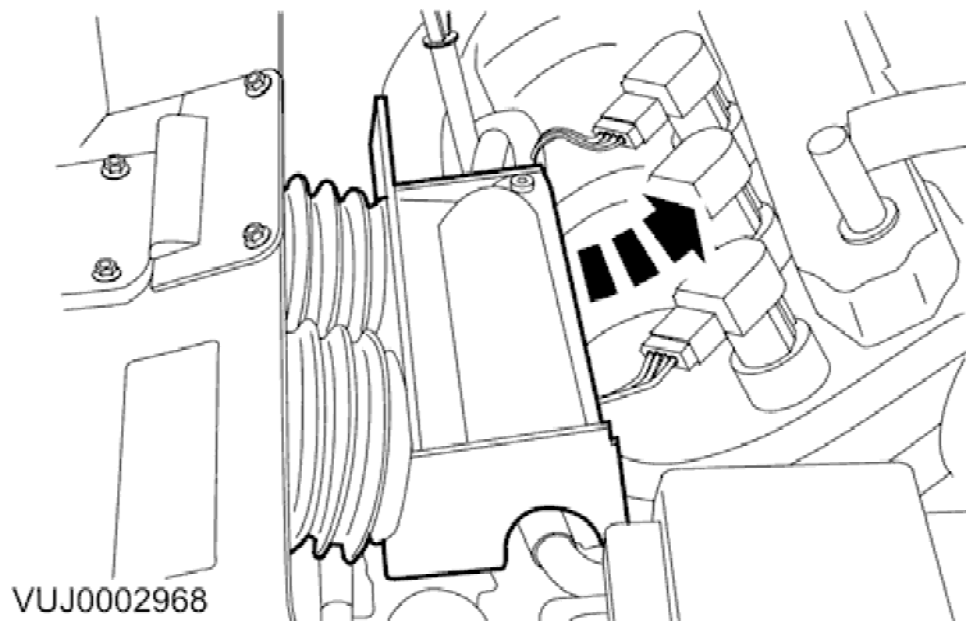


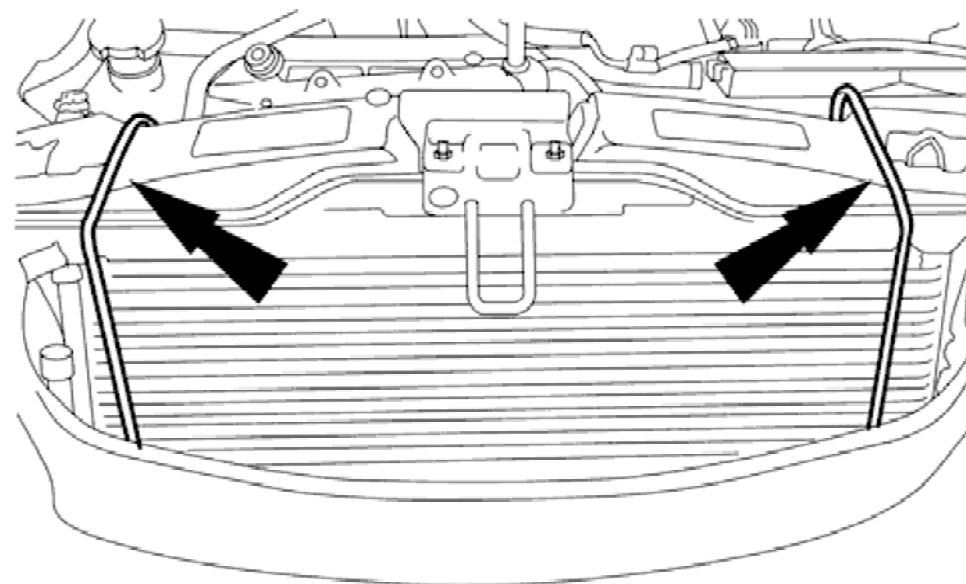
Cooling Fan Motor and Shroud 26.25.25

Removal

1. Remove the air cleaner. For additional information, refer to <<303-12>>.



2. Remove the air cleaner intake pipe.



VUJ0004036

3.  **CAUTION:**
Make sure that the radiator is not damaged when installing the retaining straps.

2004 X-TYPE - Engine Cooling - 303-03

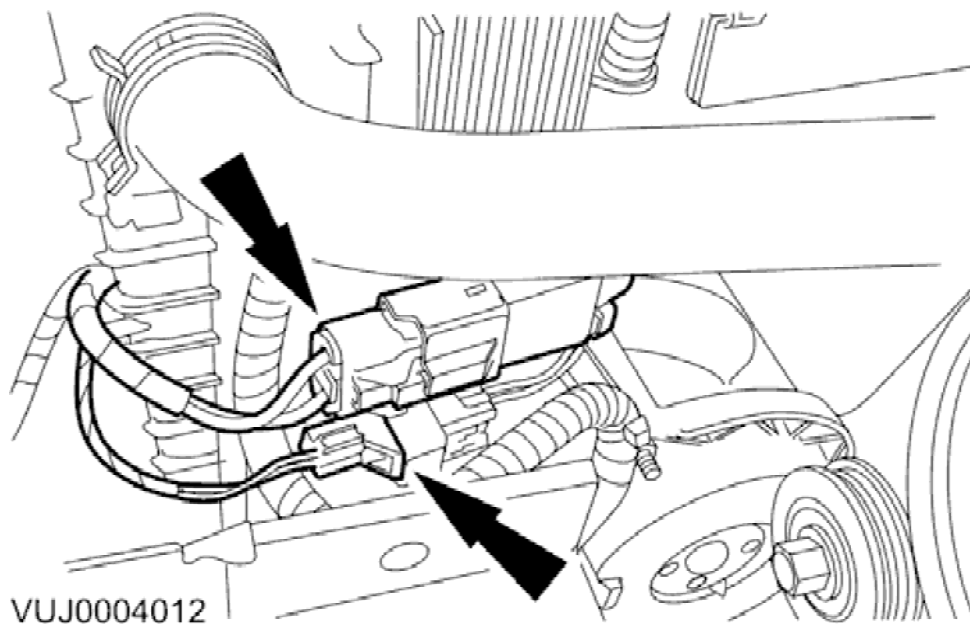
NOTE:

To allow the cooling module to be partially lowered and supported when the radiator support beam is removed, suitable retaining straps must be installed to the radiator.

Loosely attach suitable retaining straps to the radiator.

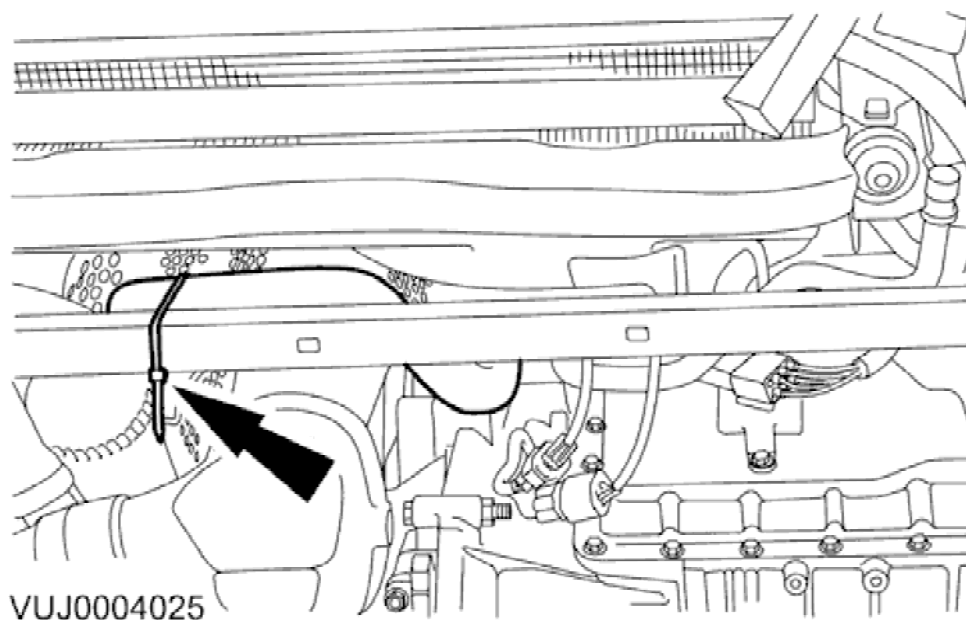
4. Drain the cooling system. For additional information, refer to <<**Cooling System Draining, Filling and Bleeding**>>.

5. Lower the vehicle.

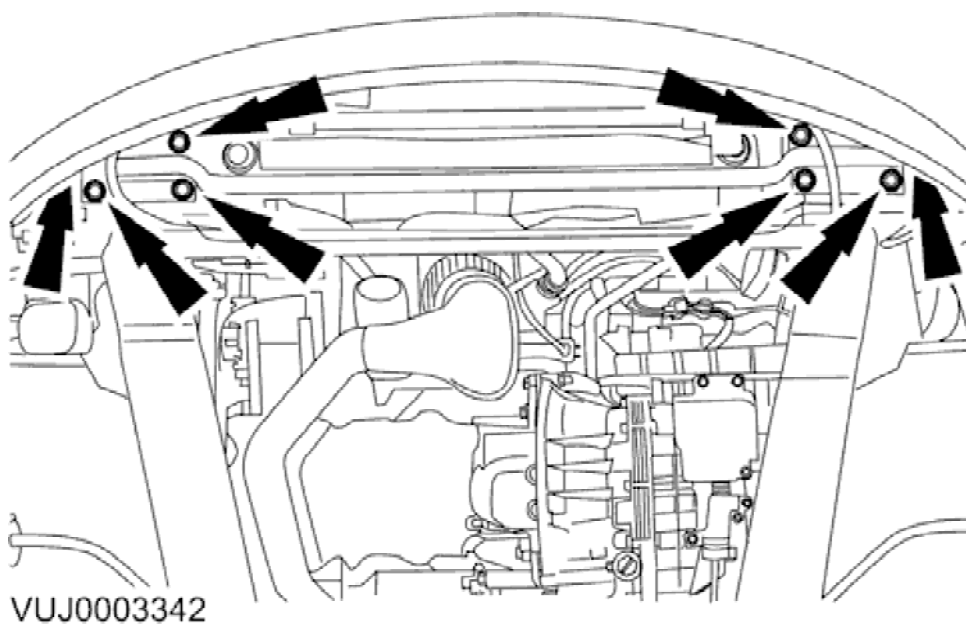


6. Disconnect the cooling fan motor control module electrical connectors.

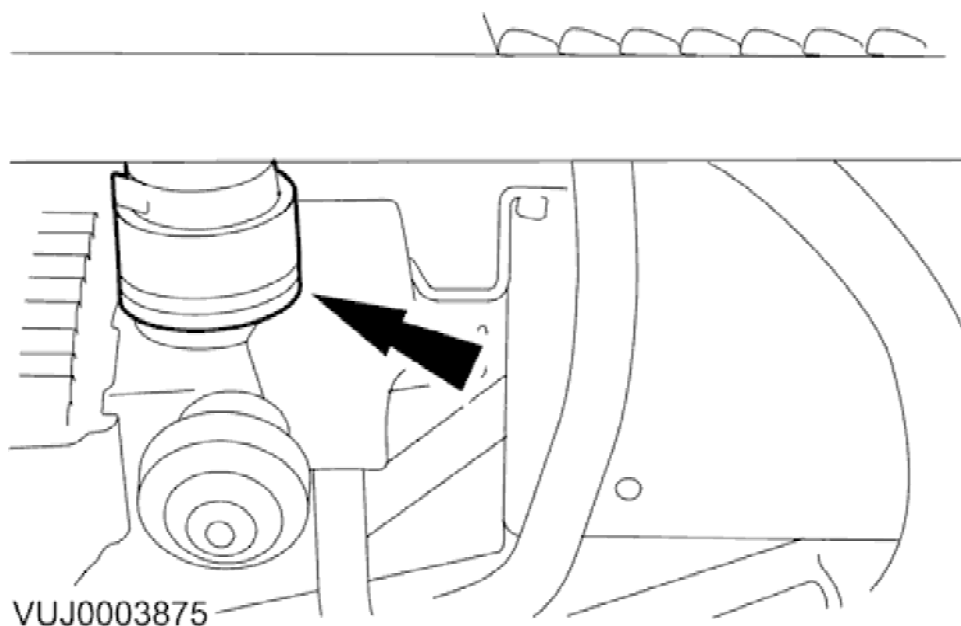
7. Raise the vehicle.



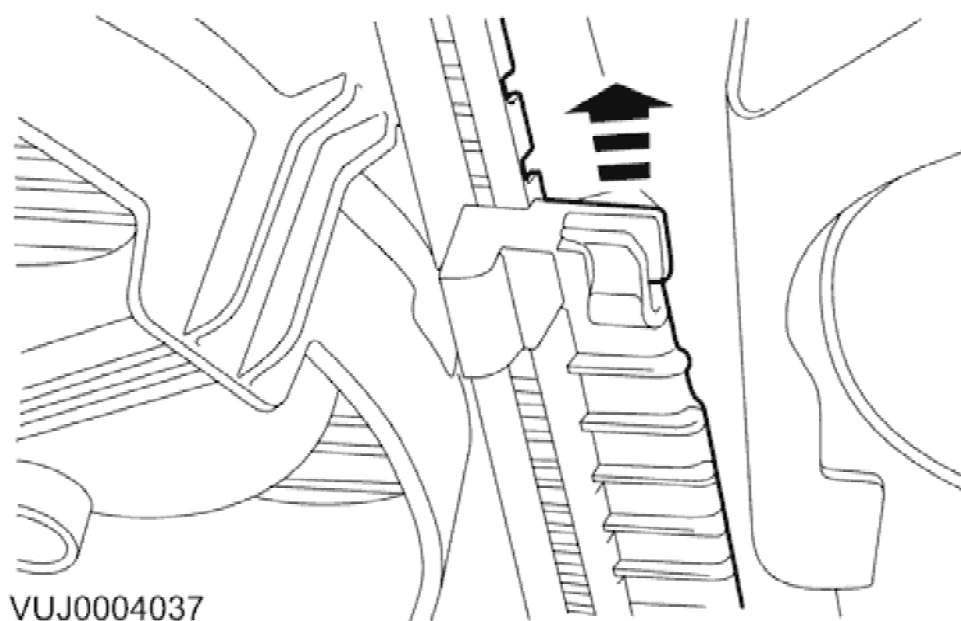
8. Reposition the coolant hose from the engine oil cooler to the thermostat housing and secure it to the front cross member using a suitable retaining strap.




9. Remove the radiator support beam.
• Allow the cooling module to be partially lowered and supported by the retaining straps.

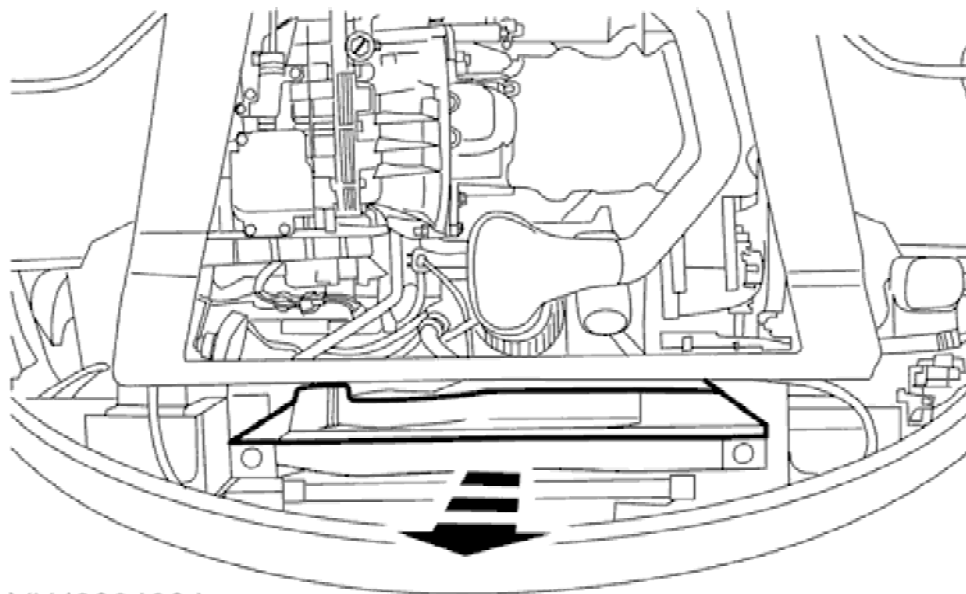


10. Detach the lower coolant hose from the radiator and position to one side.




11.  **CAUTION:**
Make sure that the retaining lugs of the radiator are not damaged when displacing the cooling fan motor and shroud.

Displace the cooling fan motor and shroud from the retaining lugs of the radiator.
1. Right-hand shown, left-hand similar.




VUJ0004004

12.  **CAUTION:**
Make sure that the radiator is not damaged when removing the cooling fan motor and shroud.

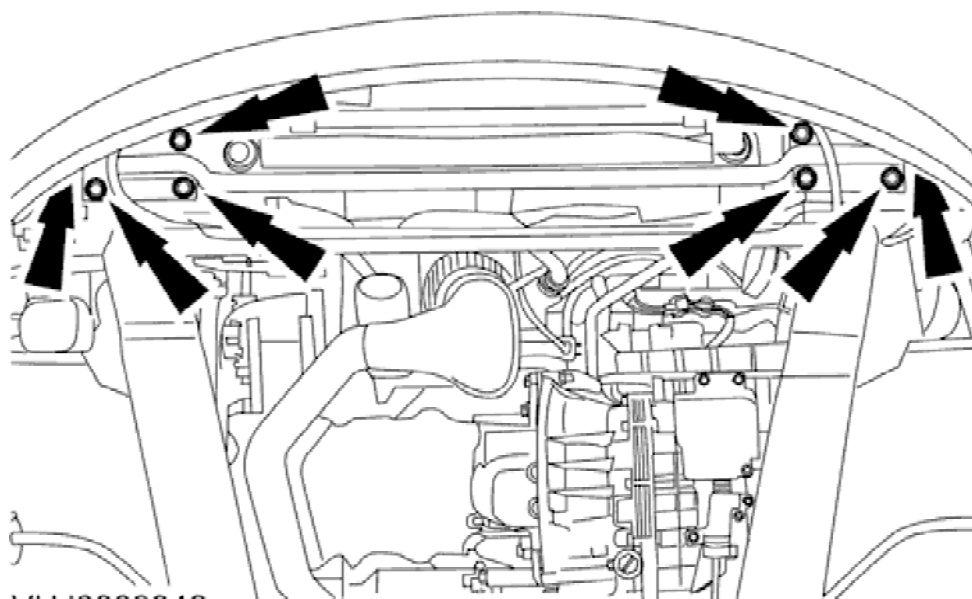
Remove the cooling fan motor and shroud.

Installation

1.  **CAUTION:**
Make sure that the radiator is not damaged when installing the cooling fan motor and shroud.

 **CAUTION:**
Make sure that the retaining lugs of the radiator are not damaged when installing the cooling fan motor and shroud.

To install, reverse the removal procedure.



VUJ0003342

2. Install the radiator support beam.
 - Tighten to 25 Nm.

3. Fill the cooling system. For additional information, refer to <<Cooling System Draining, Filling and Bleeding>>.