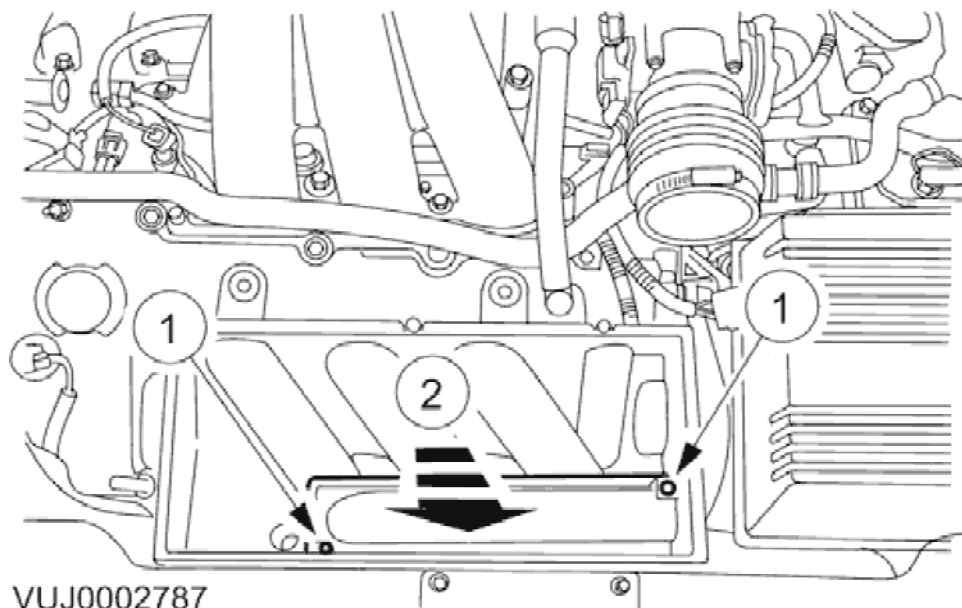


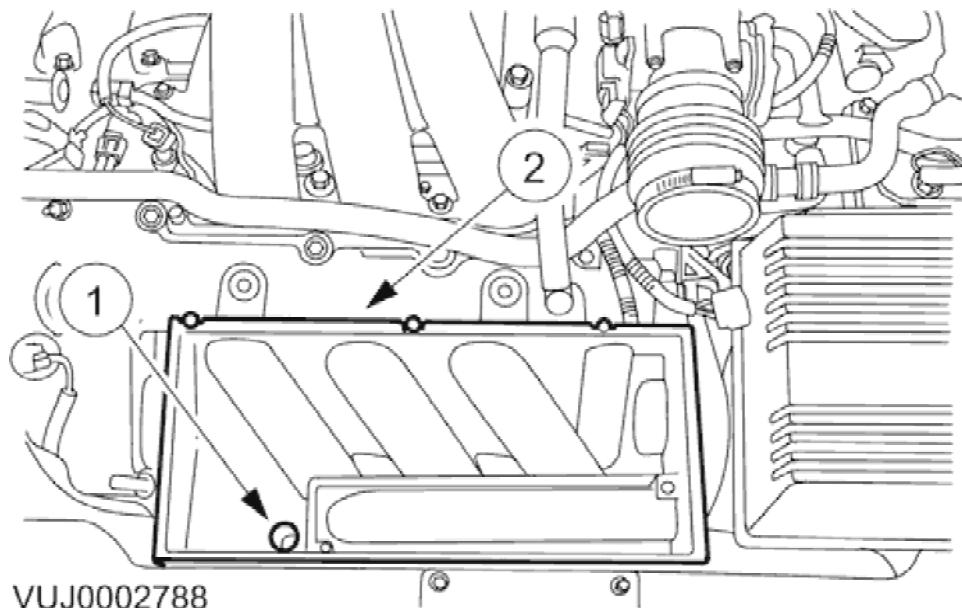
Air Cleaner 19.10.05

Removal

1. Remove the air cleaner element. For additional information, refer to the procedure in this section: <<Air Cleaner Element>>



2. Detach the air cleaner intake pipe.
 1. Remove the air cleaner intake pipe retaining screws.
 2. Detach the air cleaner intake pipe.



3. Remove the air cleaner.

2004 X-TYPE - Intake Air Distribution and Filtering - 303-12

1. Detach the air cleaner from the retaining grommet.
2. Remove the air cleaner.

Installation

1. **NOTE:**

When installing the air cleaner, make sure that the locating peg is installed correctly into the retaining bracket grommet.

To install, reverse the removal procedure.