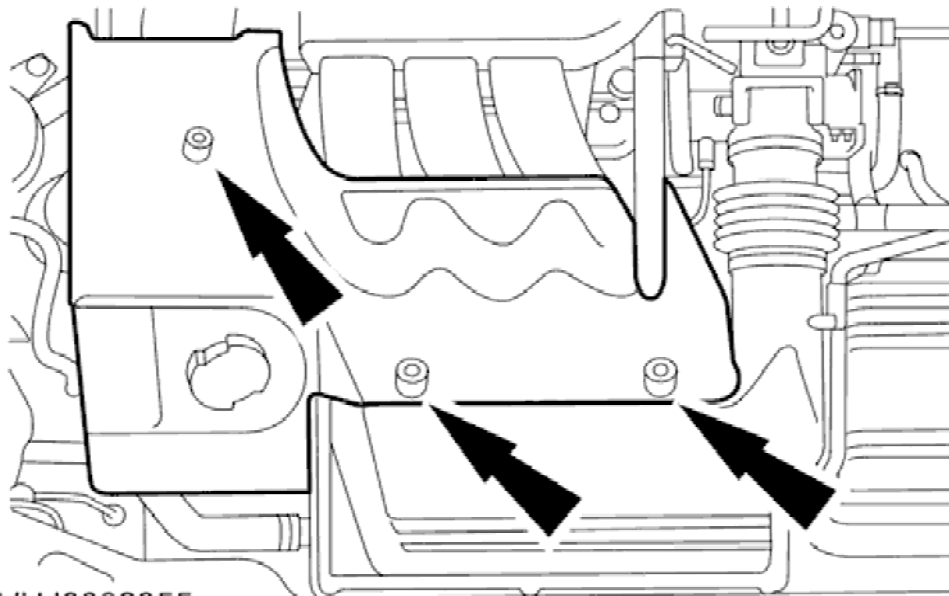


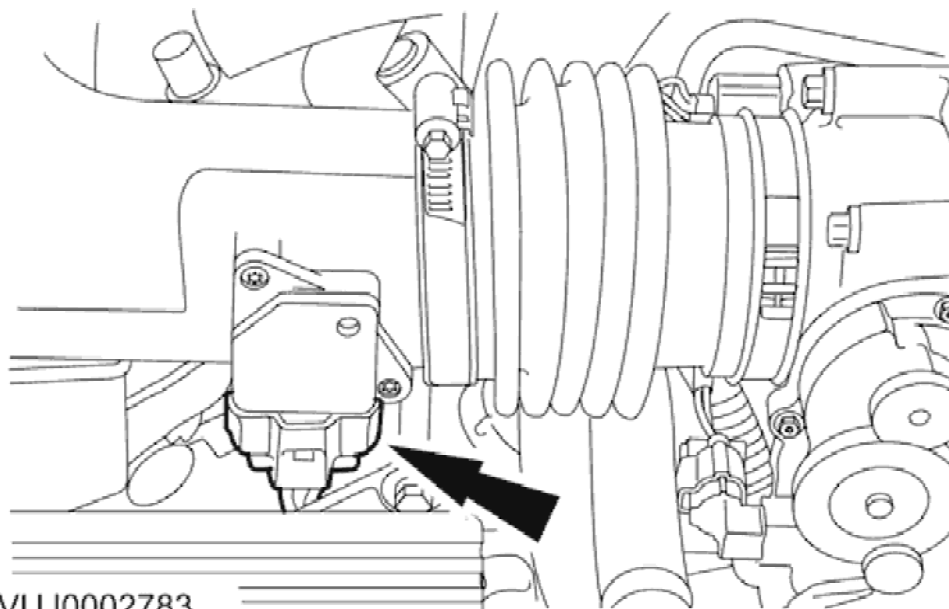
### Air Cleaner Element 19.10.08

#### Removal



VUJ0002855

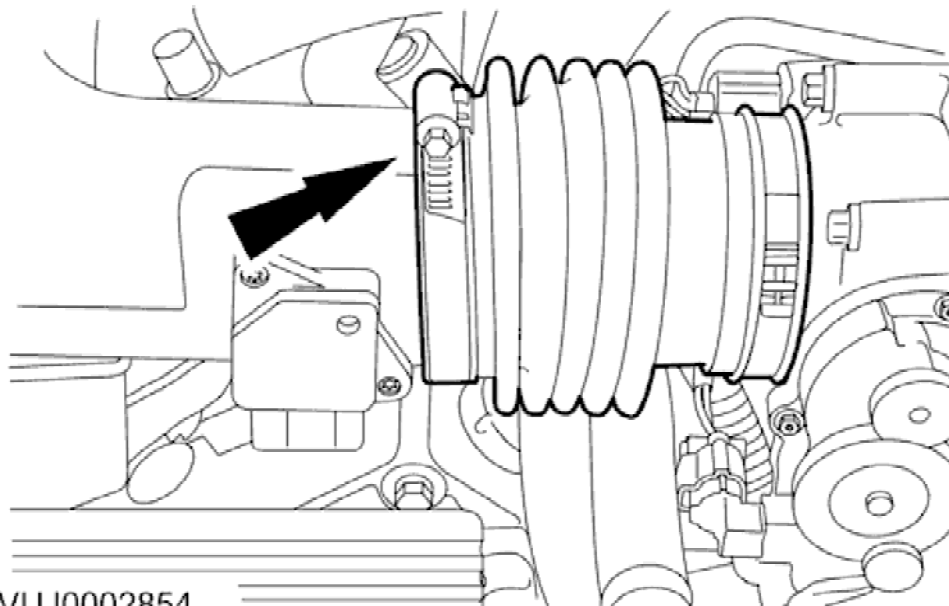
1. Remove the engine cover.



VUJ0002783

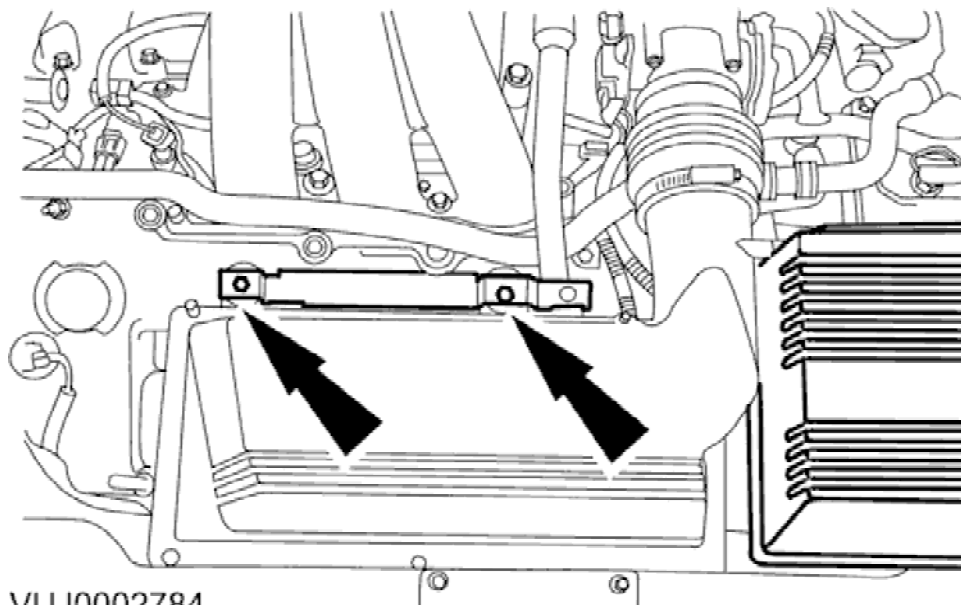
2. Disconnect the mass airflow sensor electrical connector.

## 2004 X-TYPE - Intake Air Distribution and Filtering - 303-12



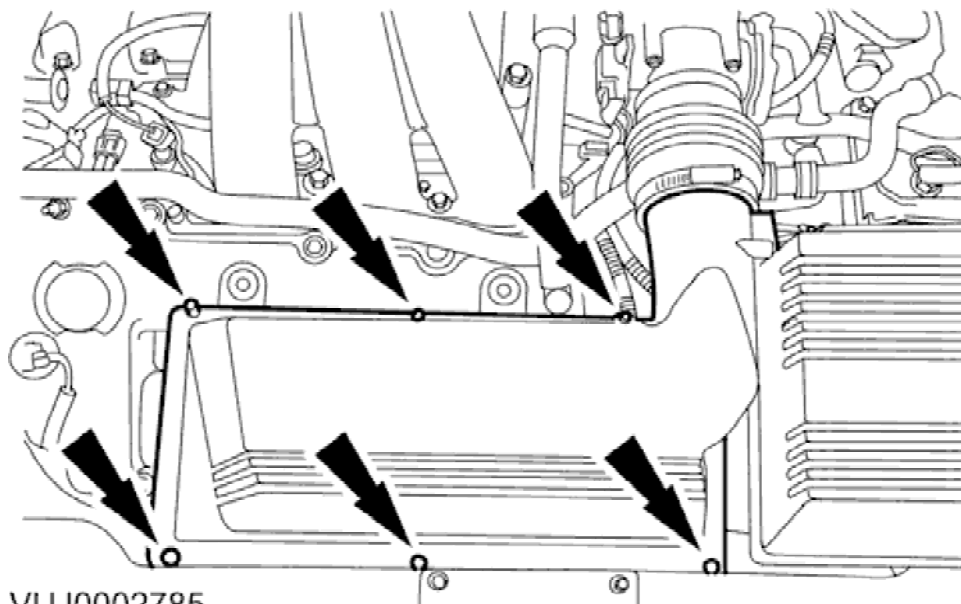
VUJ0002854

3. Disconnect the air cleaner outlet pipe.



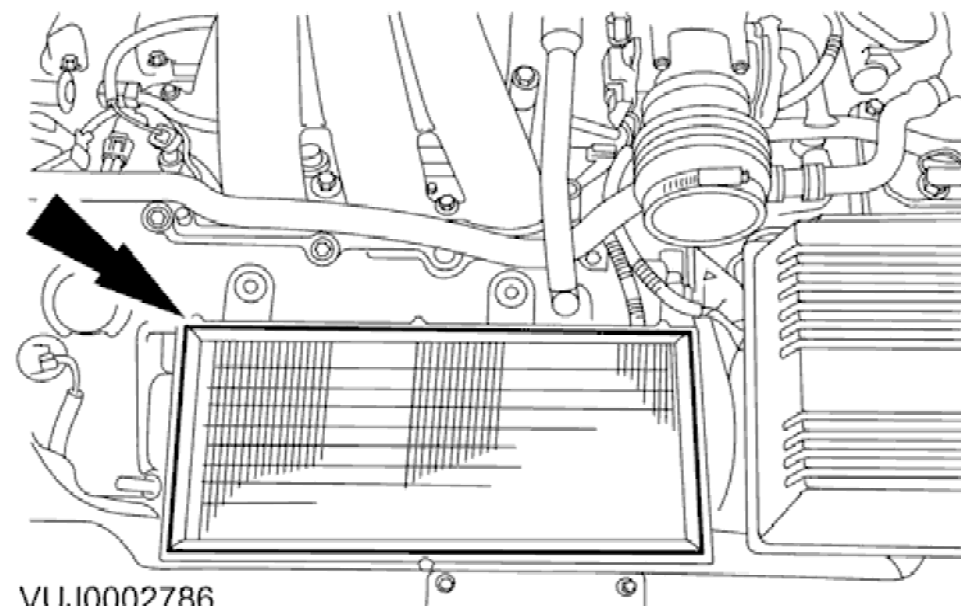
VUJ0002784

4. Remove the engine cover mounting plate.



VUJ0002785

5. Remove the air cleaner cover.



VUJ0002786

6. Remove the air cleaner element.

### Installation

1. To install, reverse the removal procedure.