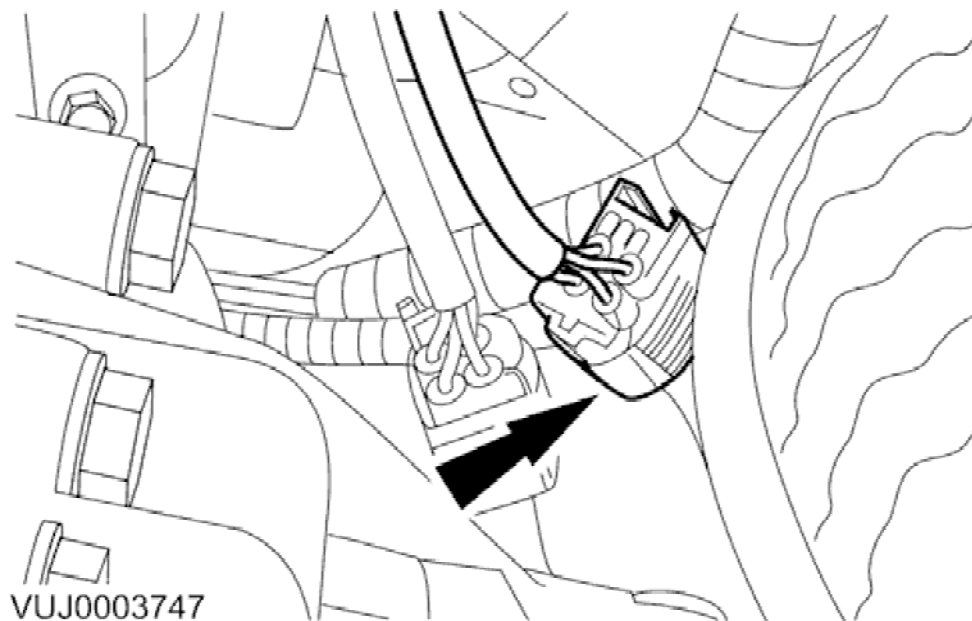


Catalytic Converter RH 17.50.16

Removal

1. Remove the front subframe. For additional information, refer to <<502-00>>.

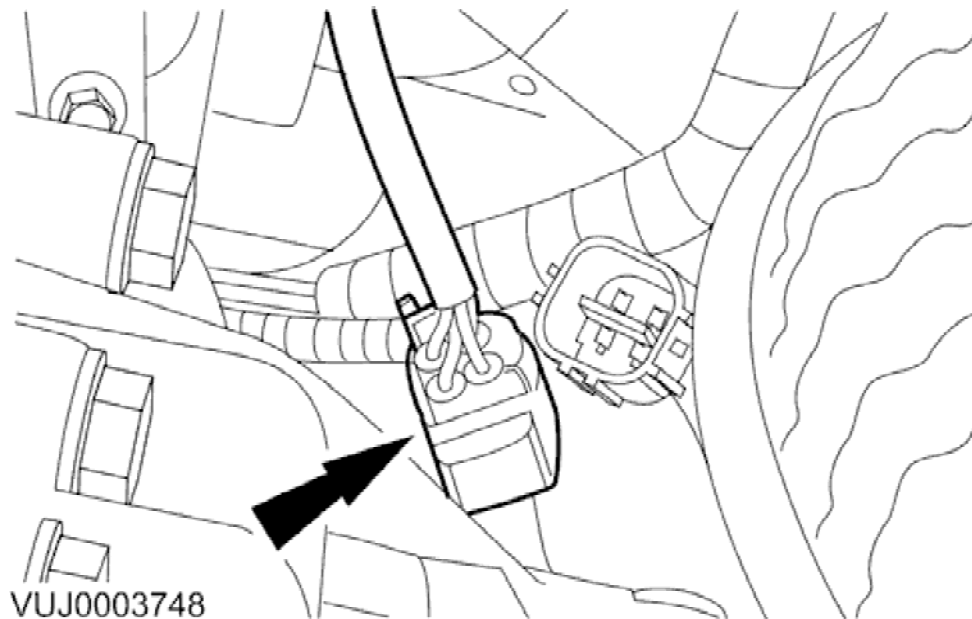


VUJ0003747

2. **NOTE:**

2.5L and 3.0L shown, 2.0L similar.

Disconnect the catalyst monitor sensor electrical connector.



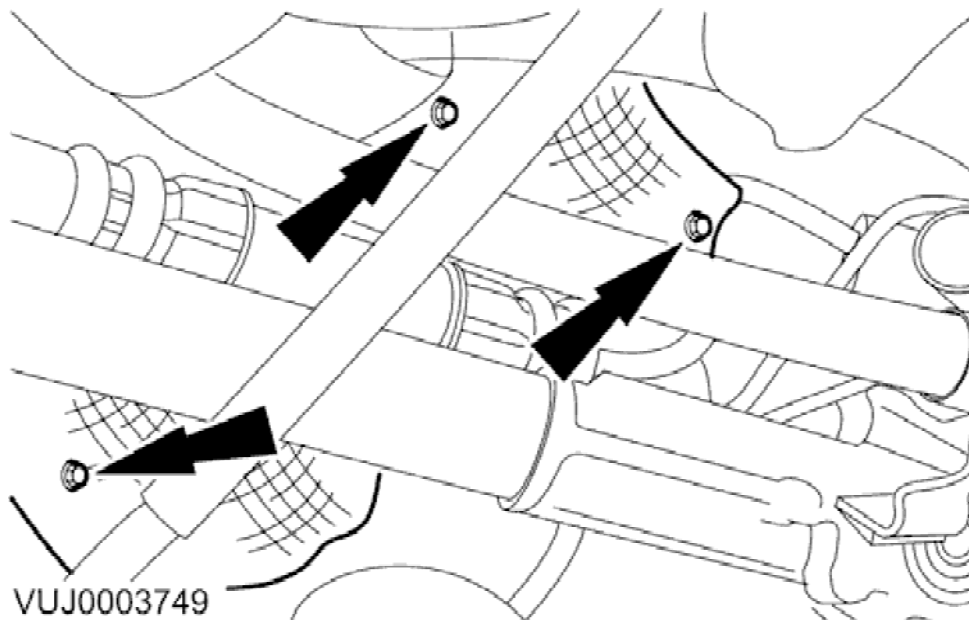
VUJ0003748

3. **NOTE:**

2004 X-TYPE - Exhaust System - 309-00

2.5L and 3.0L shown, 2.0L similar.

Disconnect the heated oxygen sensor (HO2S) electrical connector.

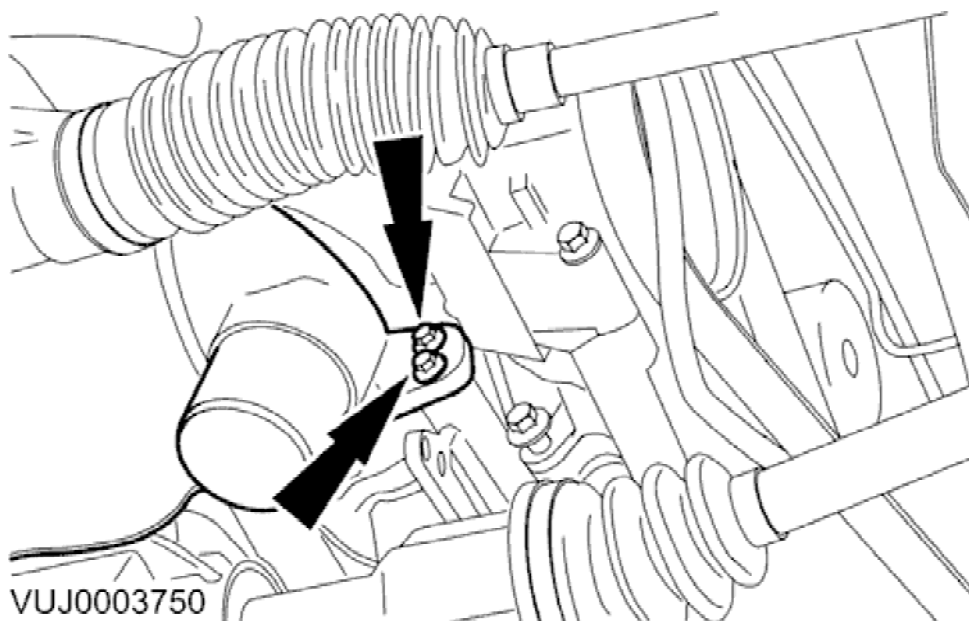


VUJ0003749

4. NOTE:

2.5L and 3.0L shown, 2.0L similar.

Remove the exhaust heat shield.



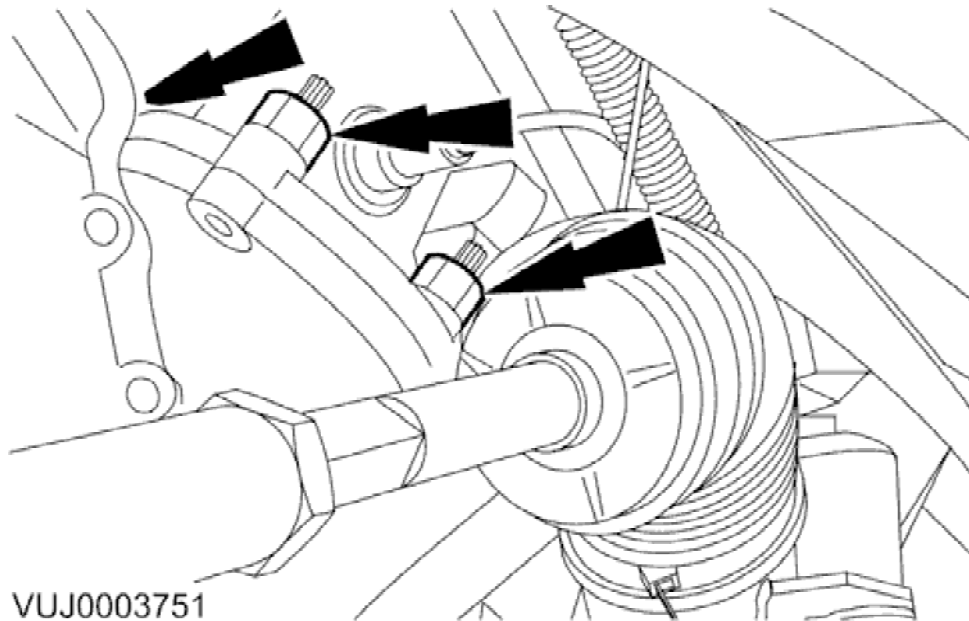
VUJ0003750

5. NOTE:

2.5L and 3.0L shown, 2.0L similar.

Remove the catalytic converter retaining bolts.

2004 X-TYPE - Exhaust System - 309-00

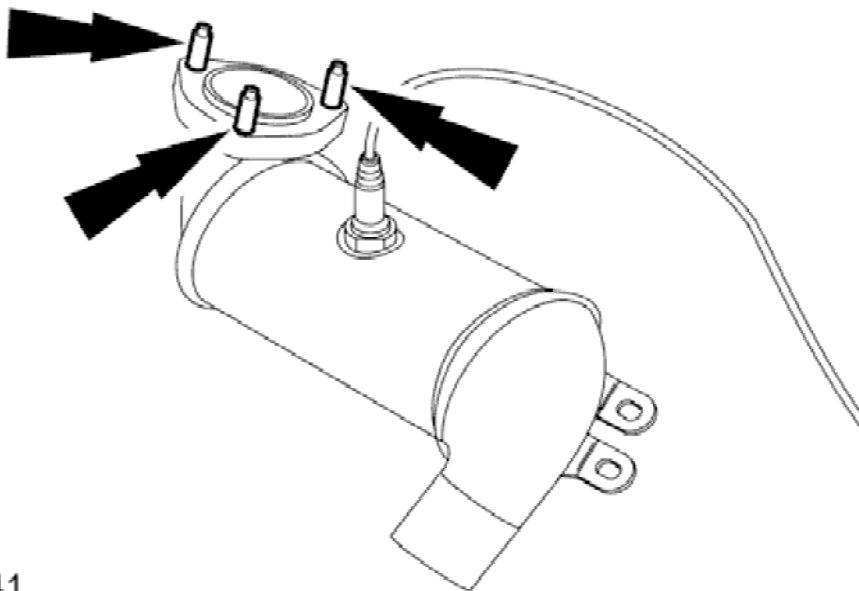


VUJ0003751

6. NOTE:

2.5L and 3.0L shown, 2.0L similar.

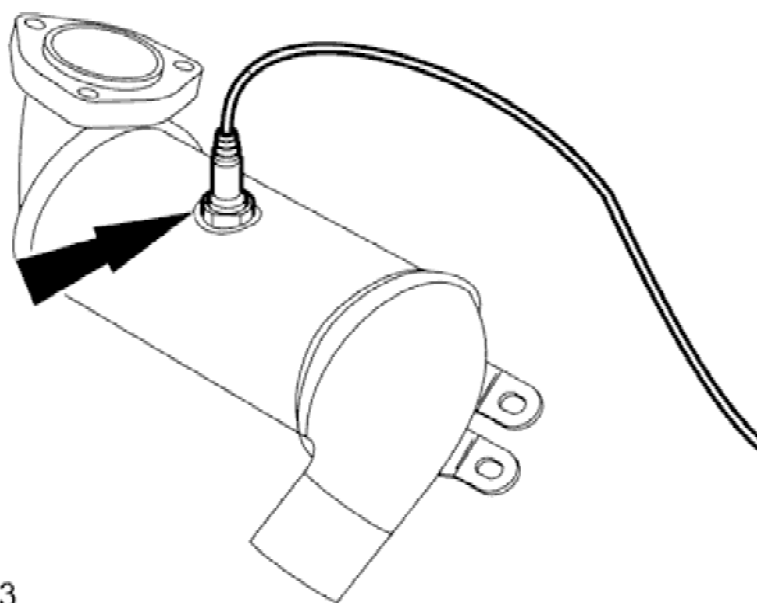
Remove and discard the retaining nuts.



E30741

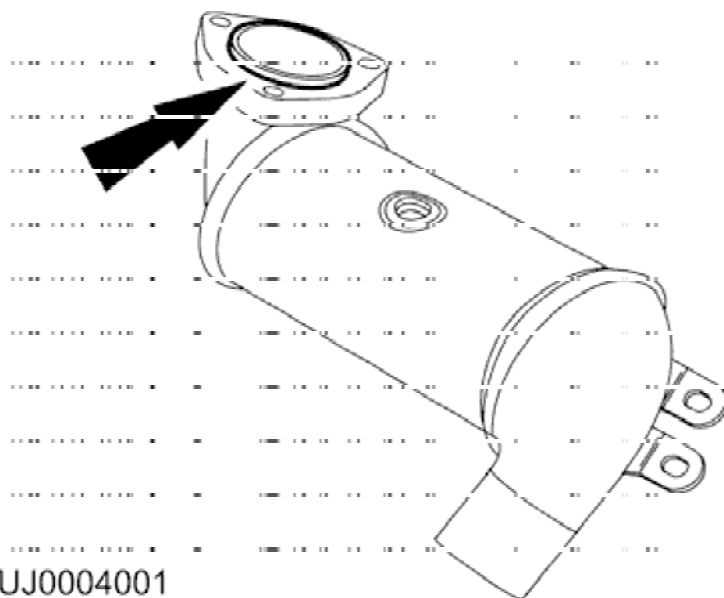
7. Remove and discard the retaining studs.

2004 X-TYPE - Exhaust System - 309-00



VUJ0003753

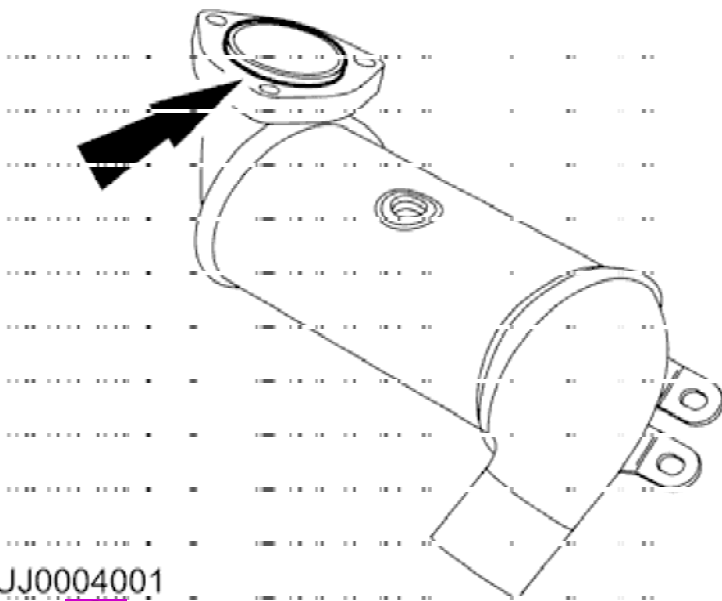
8. Remove the HO2S.



VUJ0004001

9. Remove and discard the sealing ring.

Installation

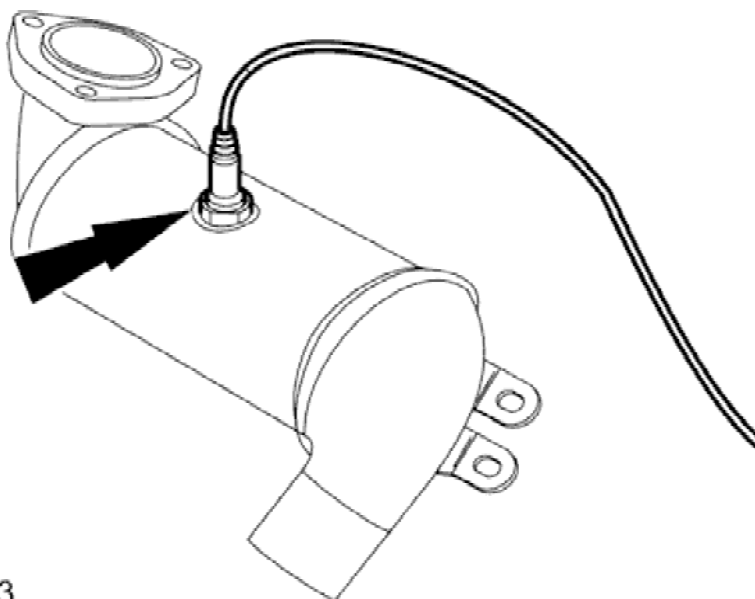


VUJ0004001

1.  **CAUTION:**
Never use jointing compound forward of the catalytic converter.

To install, reverse the removal procedure.

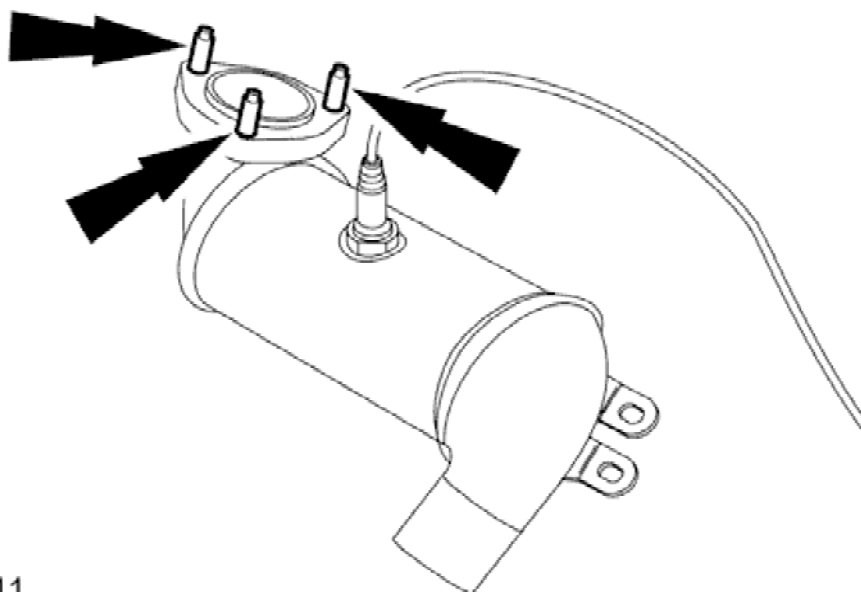
- Install a new sealing ring.



VUJ0003753

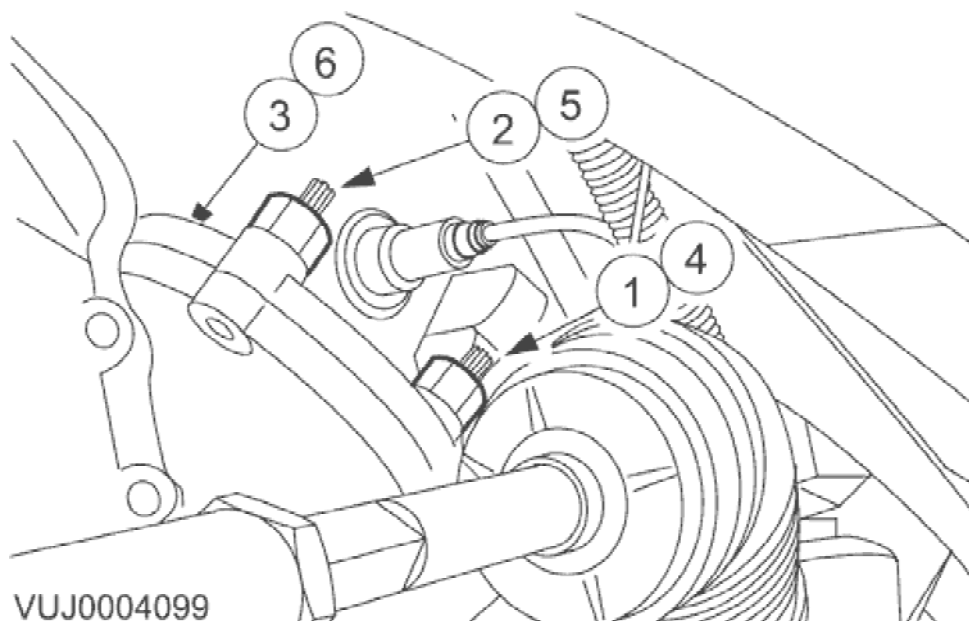
2. Tighten to 40 Nm.

2004 X-TYPE - Exhaust System - 309-00



E30741

3. Install new retaining studs.
 - Tighten to 9 Nm.



VUJ0004099

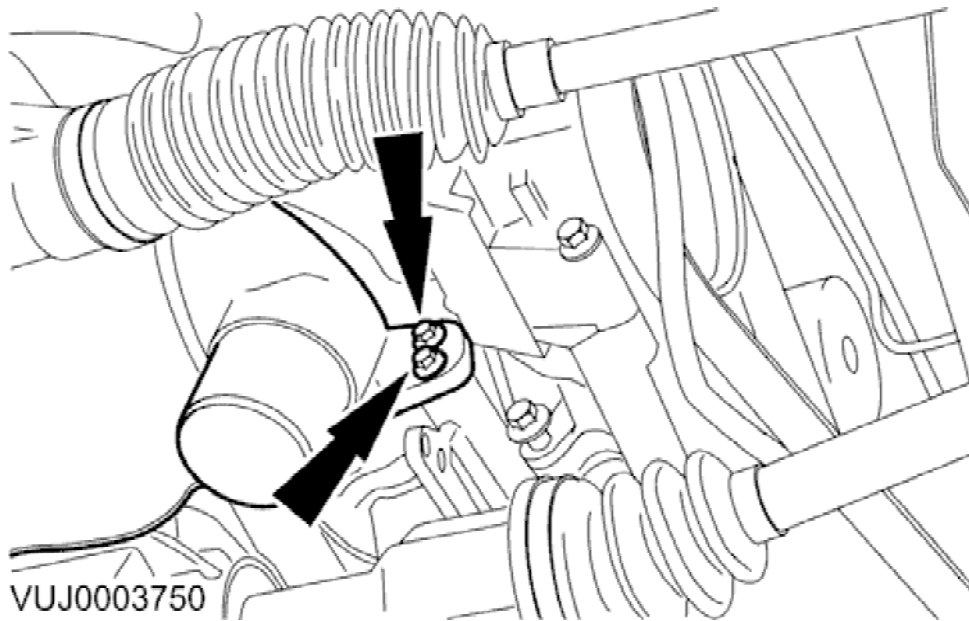
4. **NOTE:**
 - 2.5L and 3.0L shown, 2.0L similar.

NOTE:

Make sure that the retaining nuts are tightened twice in the sequence shown.

Tighten in the sequence shown to 25 Nm.

2004 X-TYPE - Exhaust System - 309-00

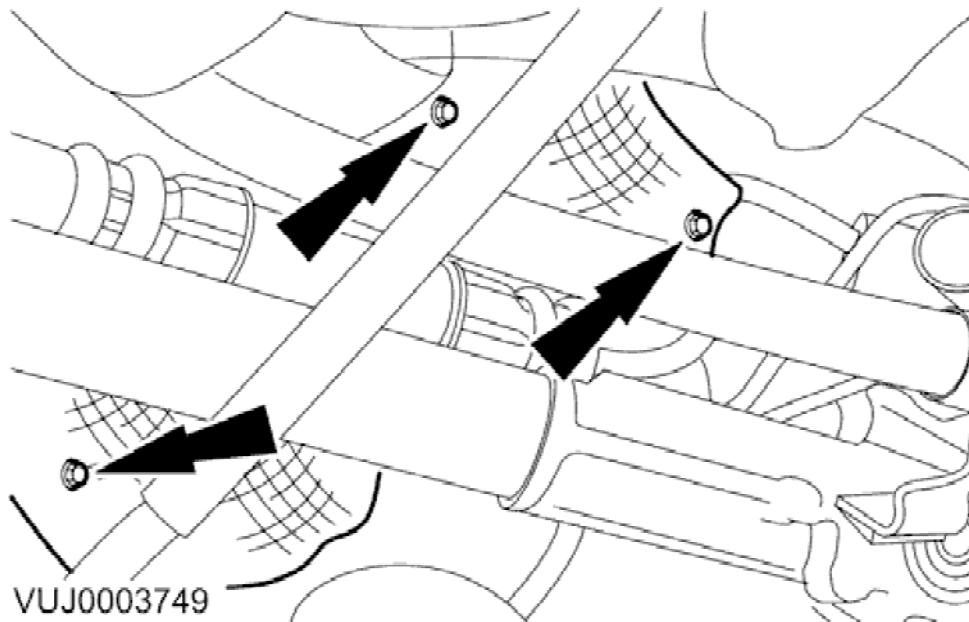


VUJ0003750

5. NOTE:

2.5L and 3.0L shown, 2.0L similar.

Tighten to 25 Nm.



VUJ0003749

6. NOTE:

2.5L and 3.0L shown, 2.0L similar.

Tighten to 10 Nm.