

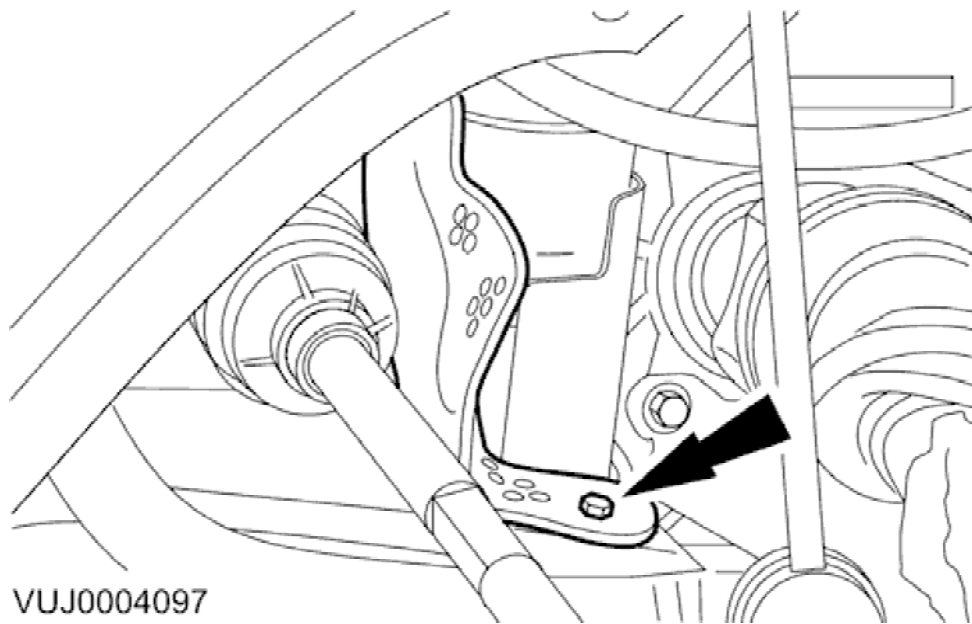
Muffler Inlet Pipe 30.10.06

Removal

All vehicles

1. Remove the front wheel and tire. For additional information, refer to <<204-04>>.

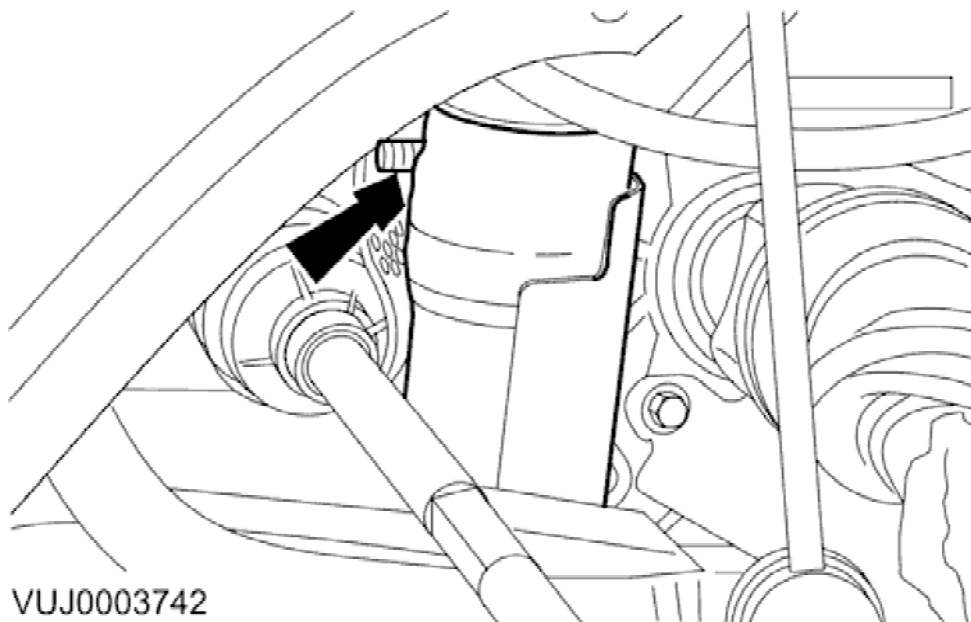
Vehicles with 2.5L or 3.0L engine



VUJ0004097

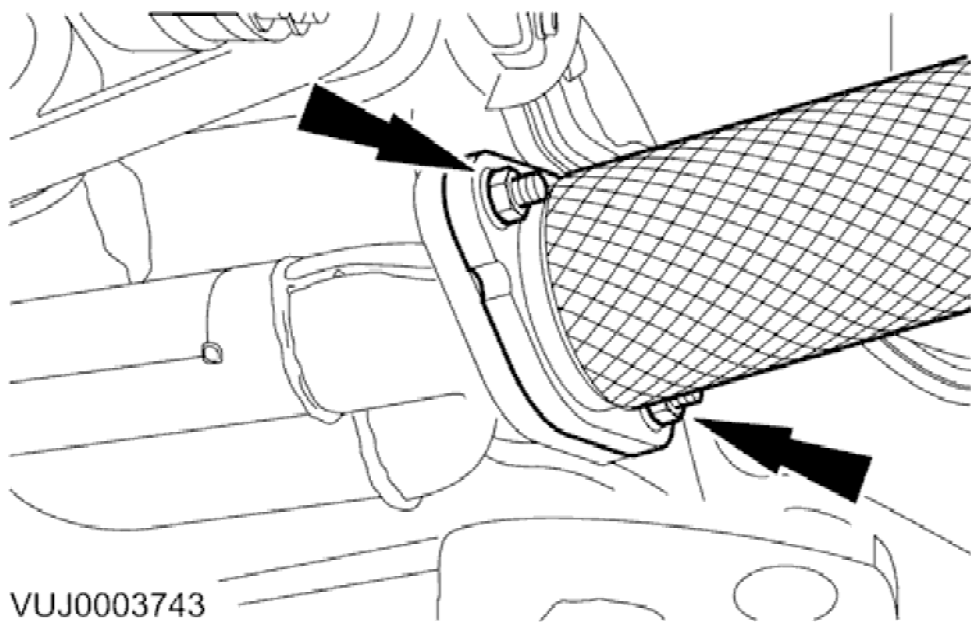
2. Detach and reposition the heat shield.

2004 X-TYPE - Exhaust System - 309-00



VUJ0003742

3. Loosen the muffer inlet pipe exhaust clamp nut.

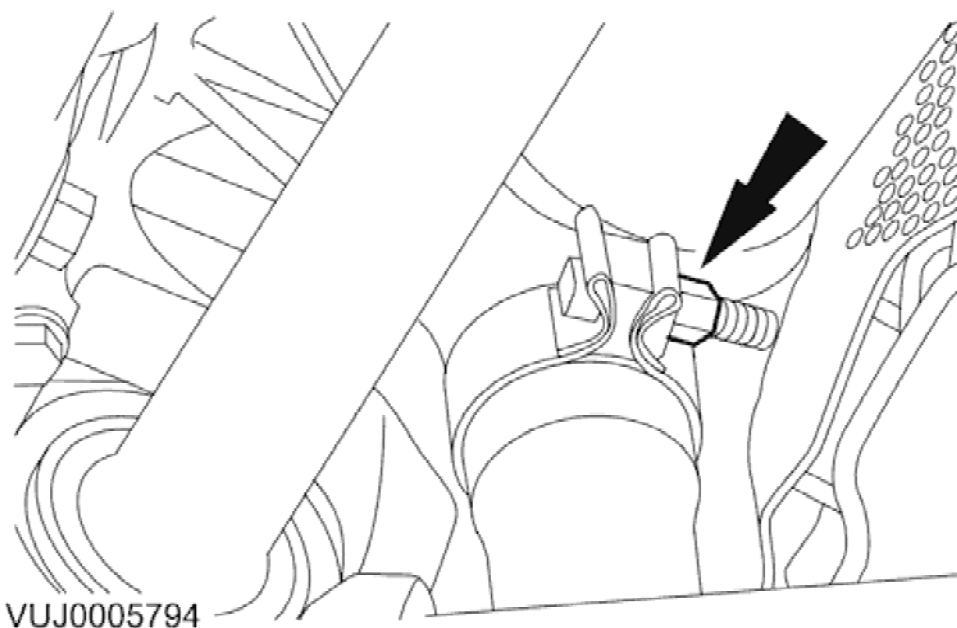


VUJ0003743

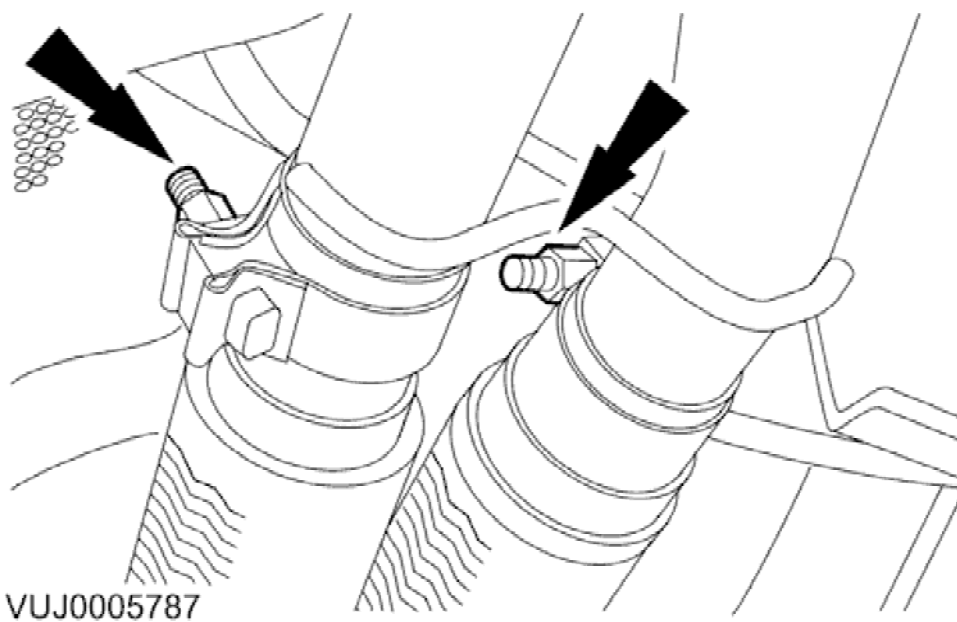
4. Detach the front muffer.
• Remove and discard the gasket.

Vehicles with 2.0L engine

2004 X-TYPE - Exhaust System - 309-00



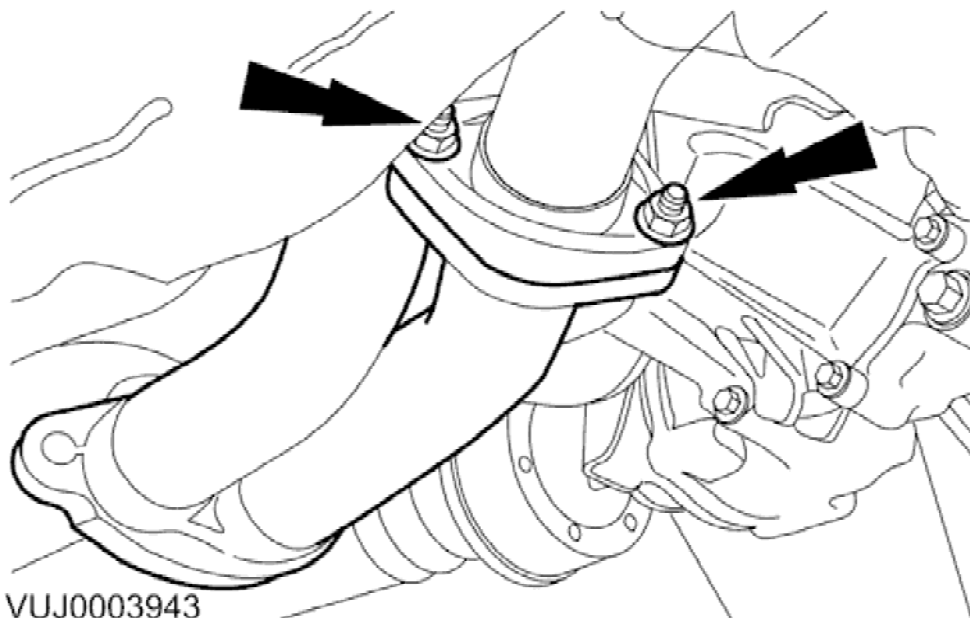
5. Loosen the muffer inlet pipe exhaust clamp nut.



6. Detach the muffer.
• Slacken the muffer retaining clamp nuts.

All vehicles

2004 X-TYPE - Exhaust System - 309-00

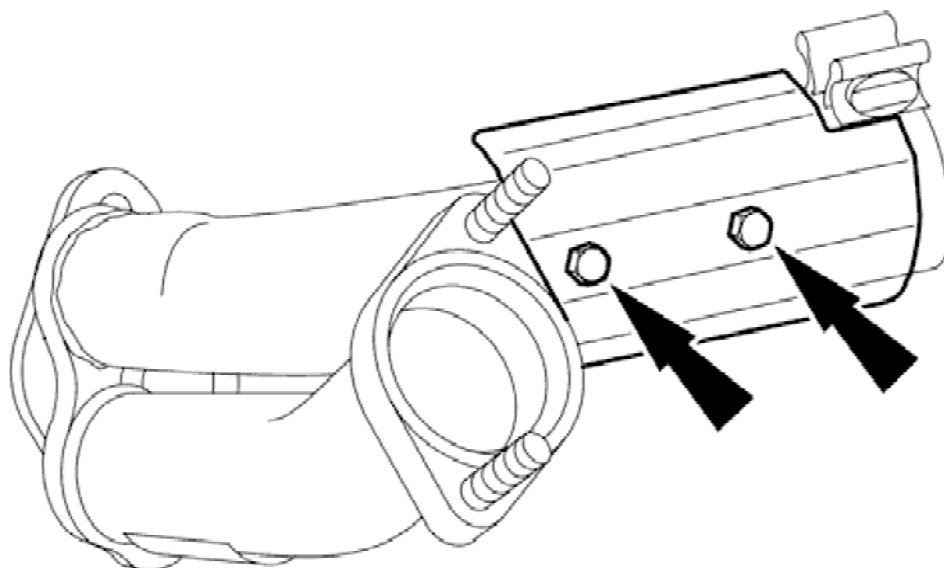


VUJ0003943

7. **NOTE:**

2.5L and 3.0L shown, 2.0L similar.

Remove the muffler inlet pipe.



VUJ0003744

8. **NOTE:**

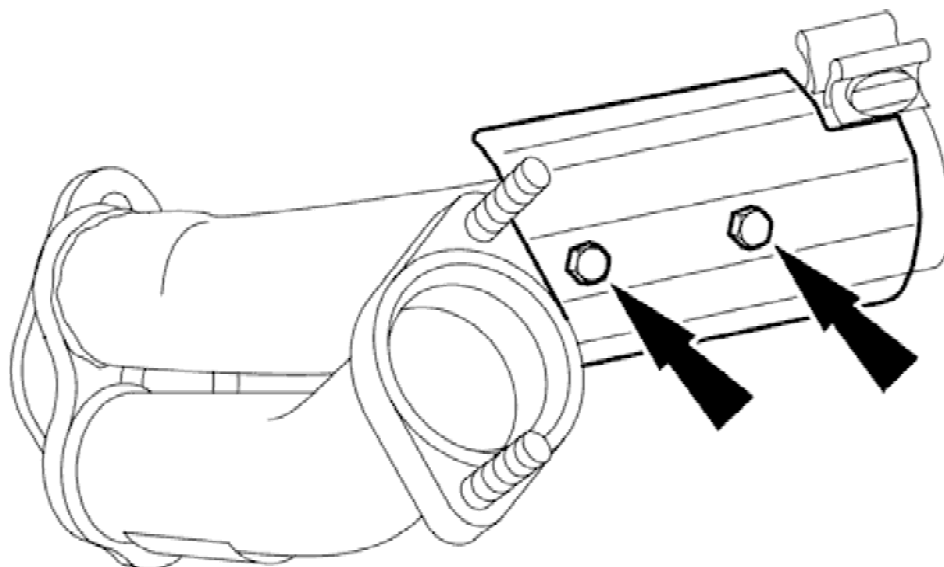
2.5L and 3.0L shown, 2.0L similar.

Remove the exhaust heat shield.

Installation

2004 X-TYPE - Exhaust System - 309-00

All vehicles



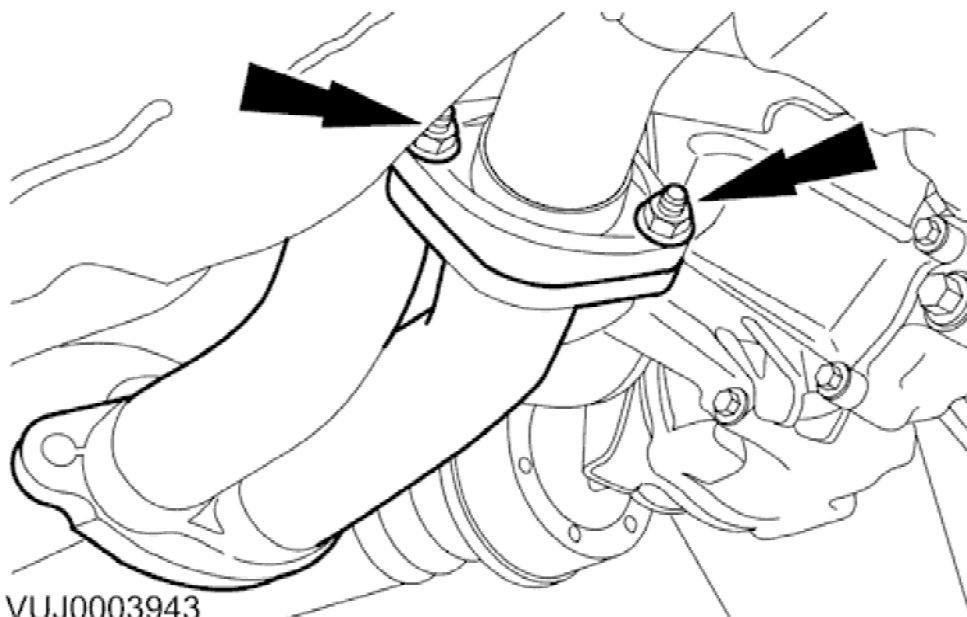
VUJ0003744

1. **NOTE:**

2.5L and 3.0L shown, 2.0L similar.

To install, reverse the removal procedure.

- Tighten to 10 Nm.



VUJ0003943

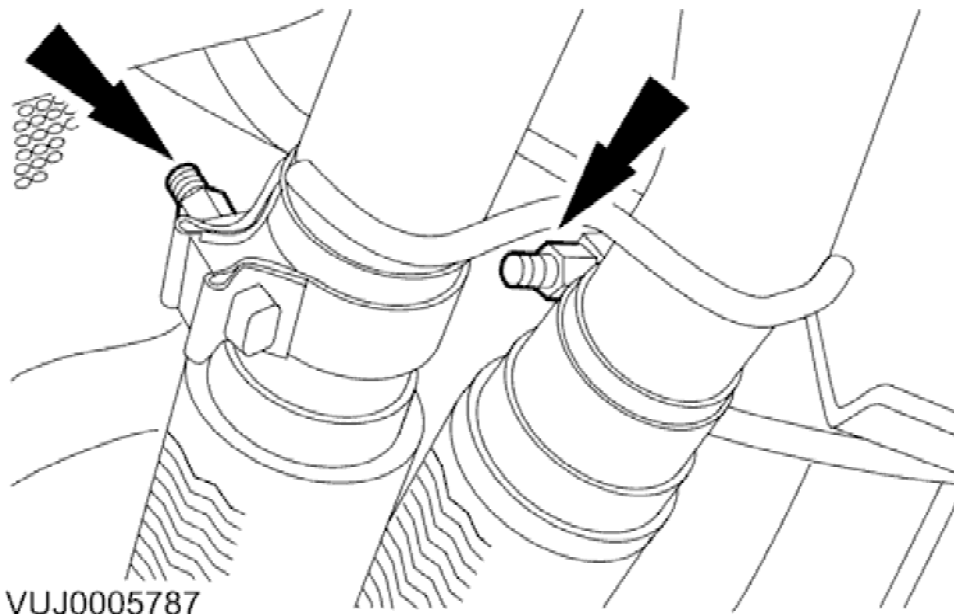
2. **NOTE:**

2.5L and 3.0L shown, 2.0L similar.

Tighten to 55 Nm.

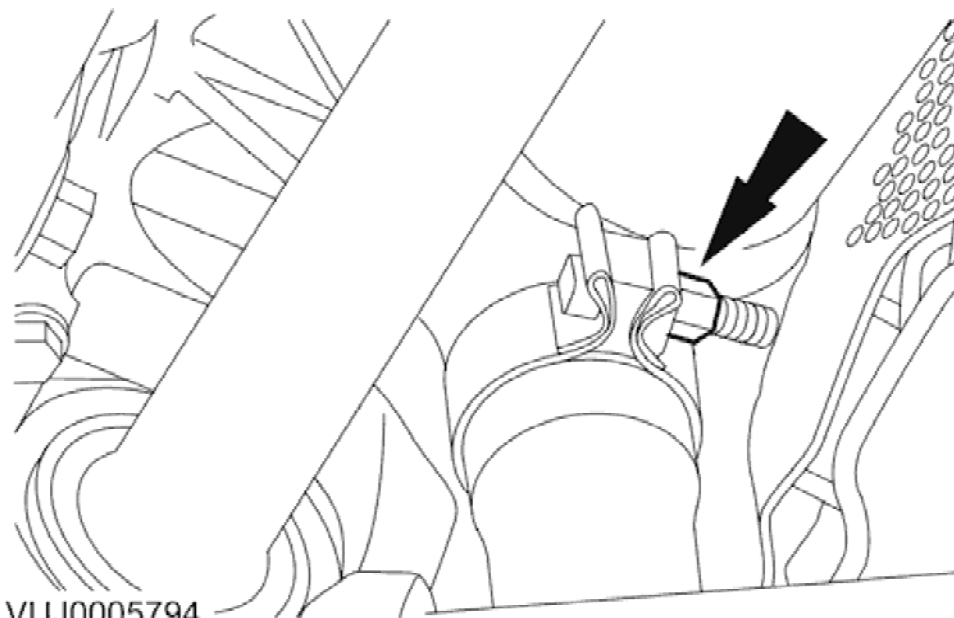
2004 X-TYPE - Exhaust System - 309-00

Vehicles with 2.0L engine



VUJ0005787

3. Tighten to 55 Nm.

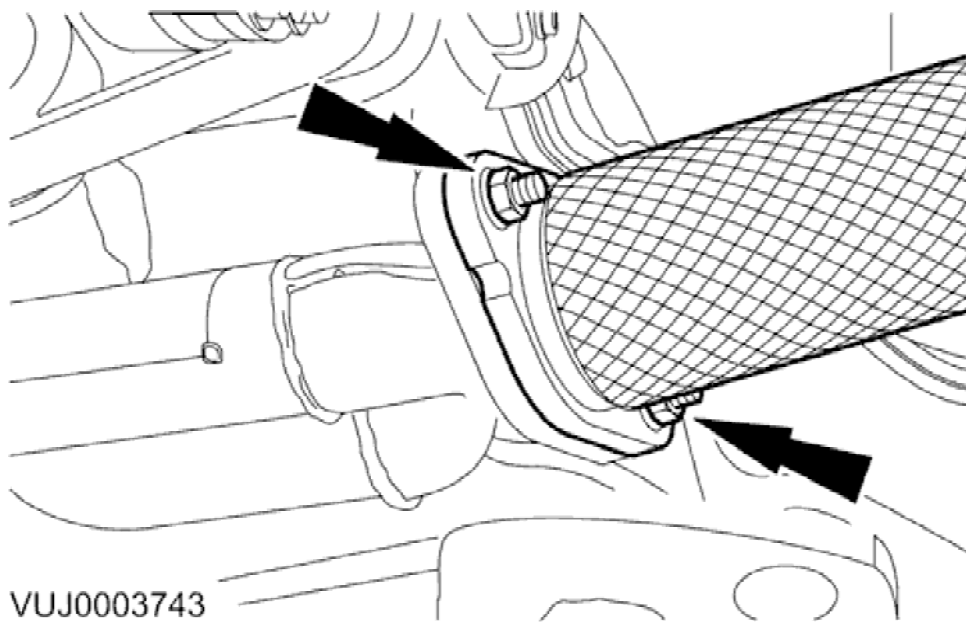


VUJ0005794

4. Tighten to 55 Nm.

Vehicles with 2.5L or 3.0L engine

2004 X-TYPE - Exhaust System - 309-00

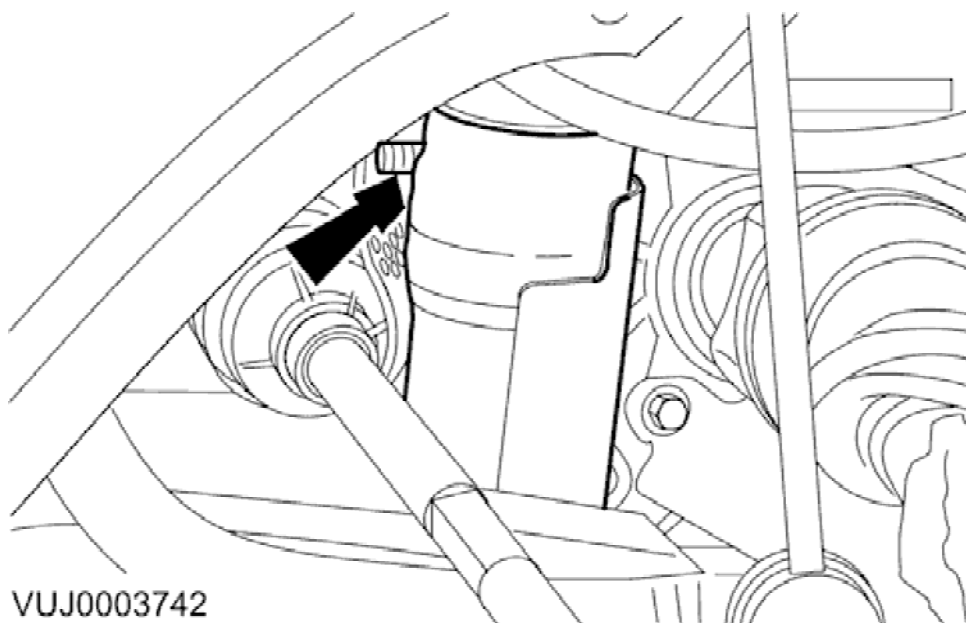


VUJ0003743

5. NOTE:

Install a new gasket.

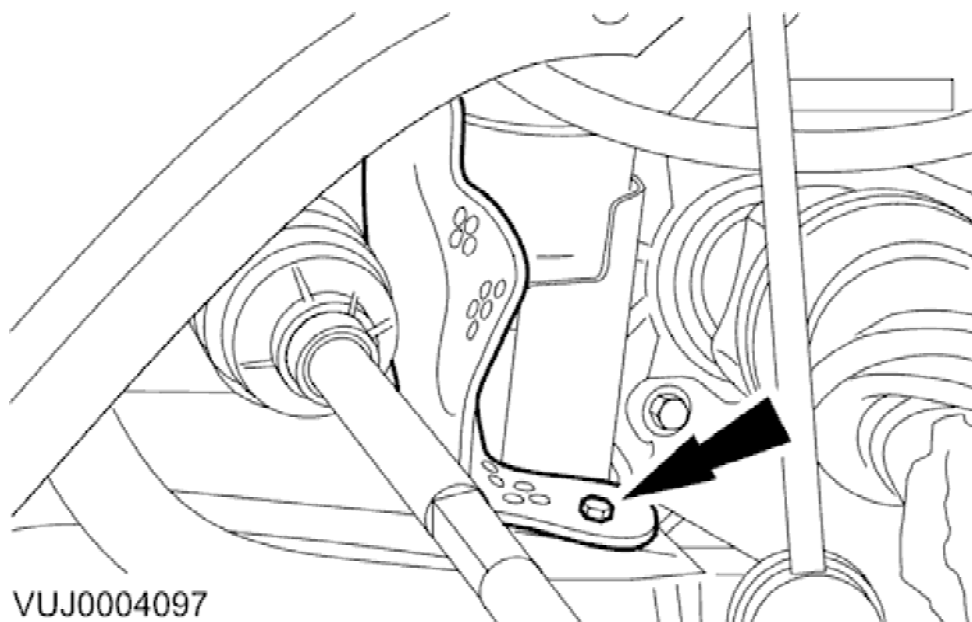
Tighten to 55 Nm.



VUJ0003742

6. Tighten to 55 Nm.

2004 X-TYPE - Exhaust System - 309-00



VUJ0004097

7. Tighten to 10 Nm.